



US00D806026S

(12) **United States Design Patent**
Ceravalo

(10) **Patent No.:** **US D806,026 S**

(45) **Date of Patent:** **** Dec. 26, 2017**

(54) **POWER INVERTER**

(71) Applicant: **DAS Companies, Inc.**, Palmyra, PA
(US)

(72) Inventor: **Joseph William Ceravalo**, Annville,
PA (US)

(73) Assignee: **DAS Companies, Inc.**, Palmyra, PA
(US)

(**) Term: **14 Years**

(21) Appl. No.: **29/524,928**

(22) Filed: **Apr. 24, 2015**

(51) **LOC (10) Cl.** **13-02**

(52) **U.S. Cl.**
USPC **D13/110**

(58) **Field of Classification Search**
USPC D13/110, 108, 118, 123, 162, 168, 169,
D13/174, 177, 184, 199; D14/257, 432,
D14/438; 174/16.3, 17 R, 17.08;
361/600, 601, 690, 694, 695, 679.01,
361/679.61, 704, 730; 363/141, 142
CPC H05K 5/00; H05K 5/02; H05K 5/0247;
H05K 7/00; H05K 7/20; H05K 7/20136;
H05K 7/20154; H05K 7/209; H02M 7/00;
H02M 7/003; H02M 2001/009; H02J
7/0042; Y10T 307/367
See application file for complete search history.

(56) **References Cited**

U.S. PATENT DOCUMENTS

5,019,767 A * 5/1991 Shirai H01M 2/105
224/902
D361,978 S * 9/1995 Shirai D13/103
D484,853 S * 1/2004 Alviar D13/110
D537,410 S * 2/2007 Yuen D13/110

D617,267 S * 6/2010 Li D13/107
D654,854 S * 2/2012 Inskeep D13/107
D654,867 S * 2/2012 Huppe D13/110
D671,488 S * 11/2012 Ashida D13/110
D701,490 S * 3/2014 Inskeep D13/110

* cited by examiner

Primary Examiner — Derrick Holland

(74) *Attorney, Agent, or Firm* — Design IP

(57) **CLAIM**

The ornamental design for a power inverter, as shown and described.

DESCRIPTION

FIG. 1 is a front, left isometric view of a power inverter showing my new design;

FIG. 2 is a front view thereof;

FIG. 3 is a rear view thereof;

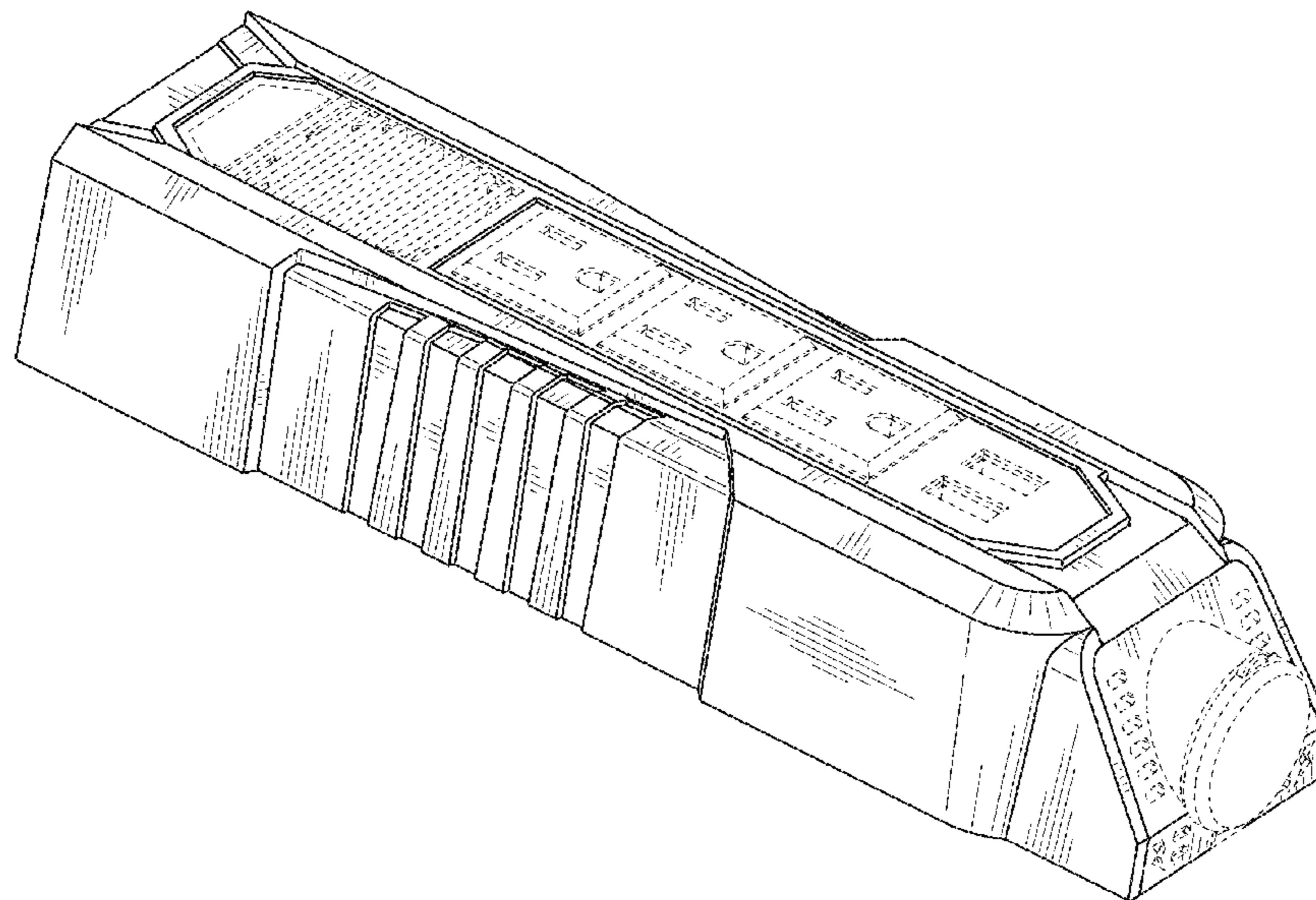
FIG. 4 is a right side view thereof;

FIG. 5 is a left side view thereof; and,

FIG. 6 is a top view thereof.

The broken lines shown in FIGS. 1-6 are included for the purpose of illustrating environmental subject matter only and form no part of the claimed design. The bottom view is omitted and forms no part of the claimed design.

1 Claim, 3 Drawing Sheets



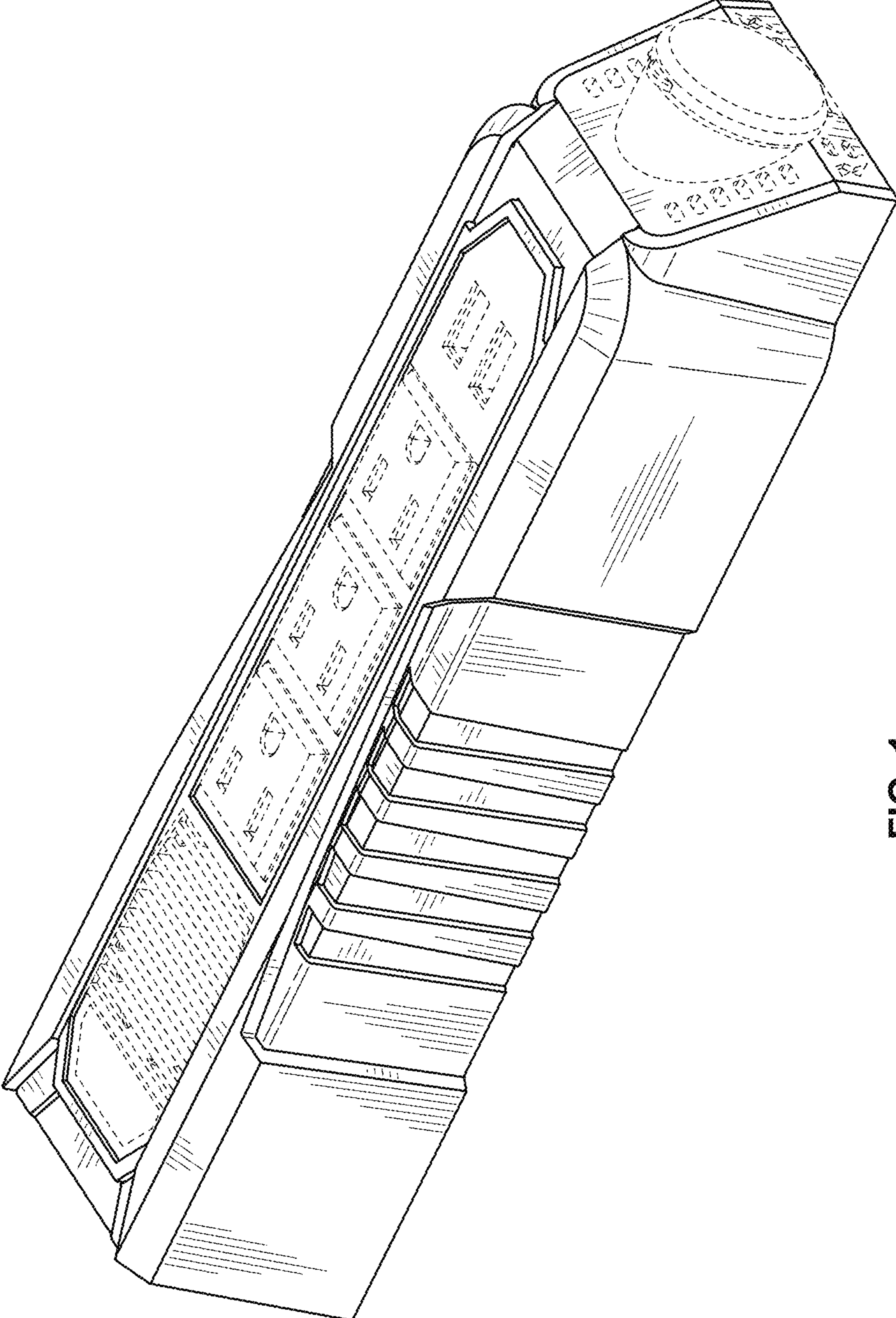


FIG. 1

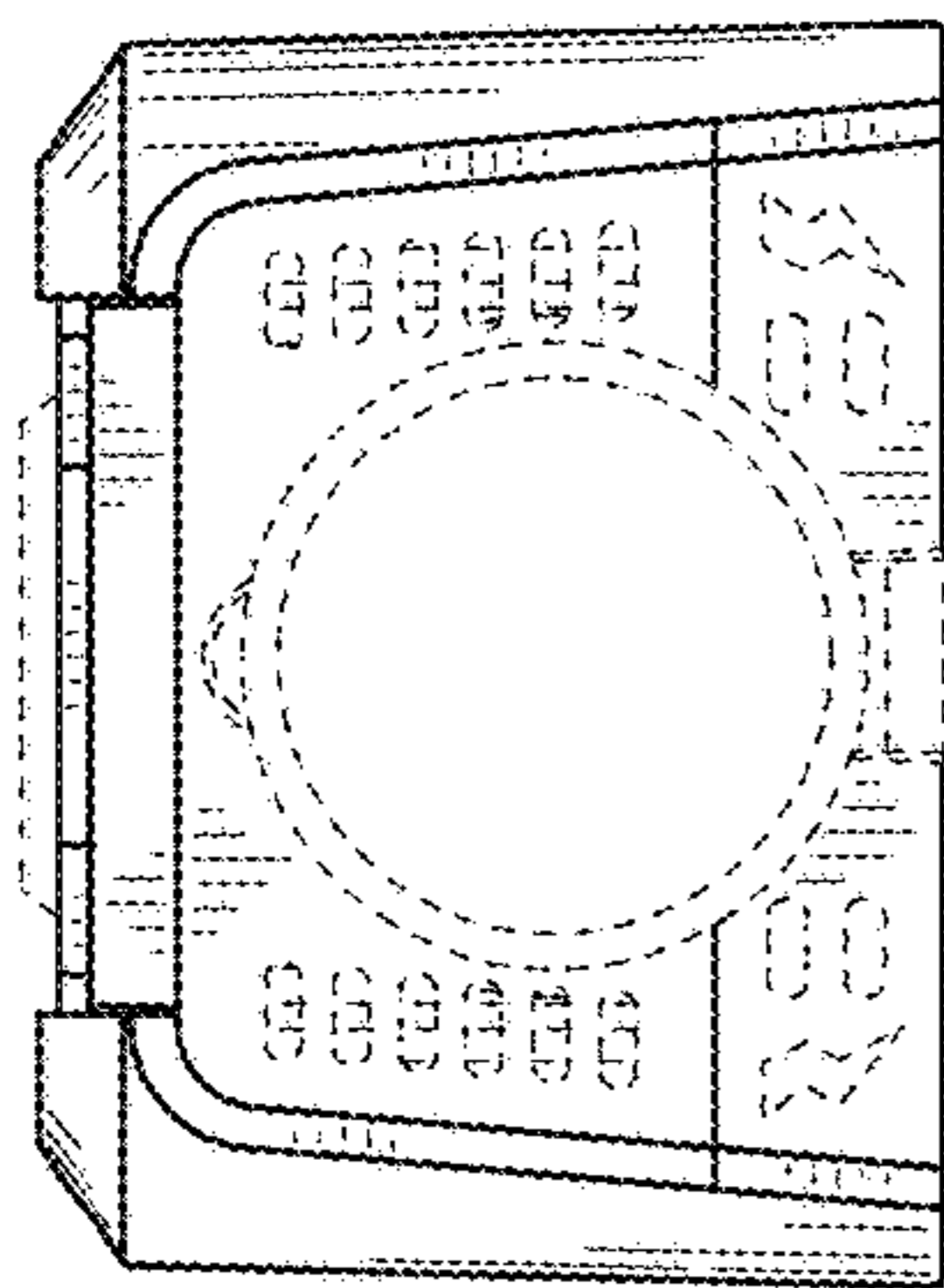


FIG. 2

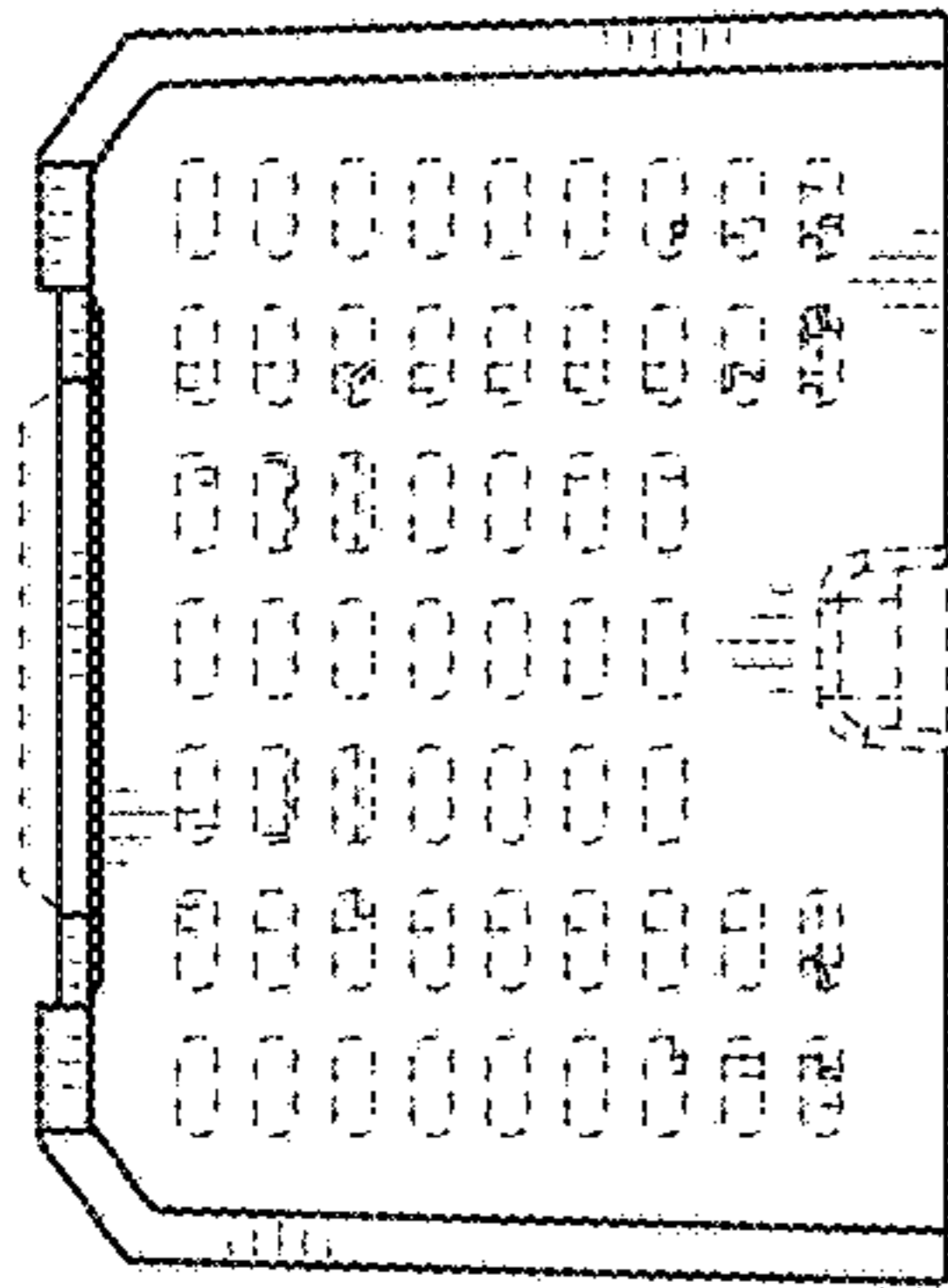


FIG. 3

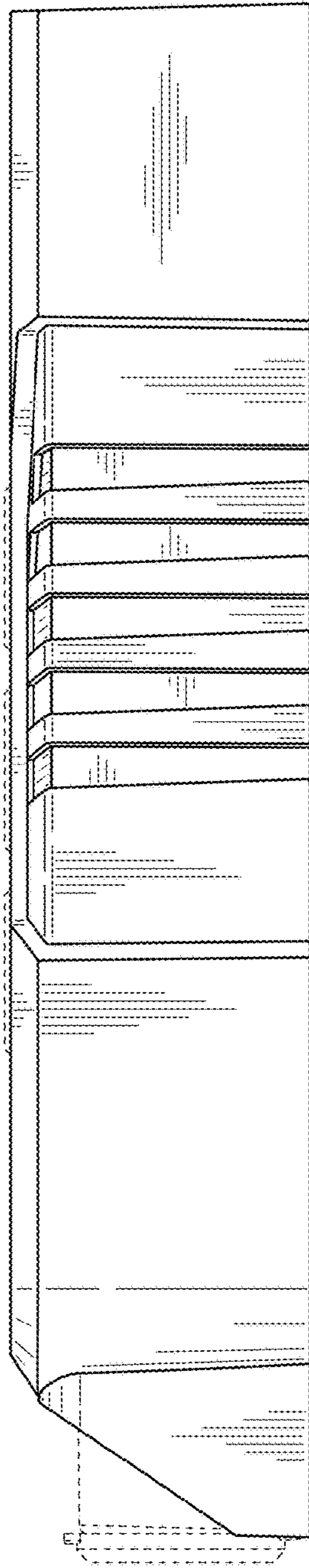


FIG. 4

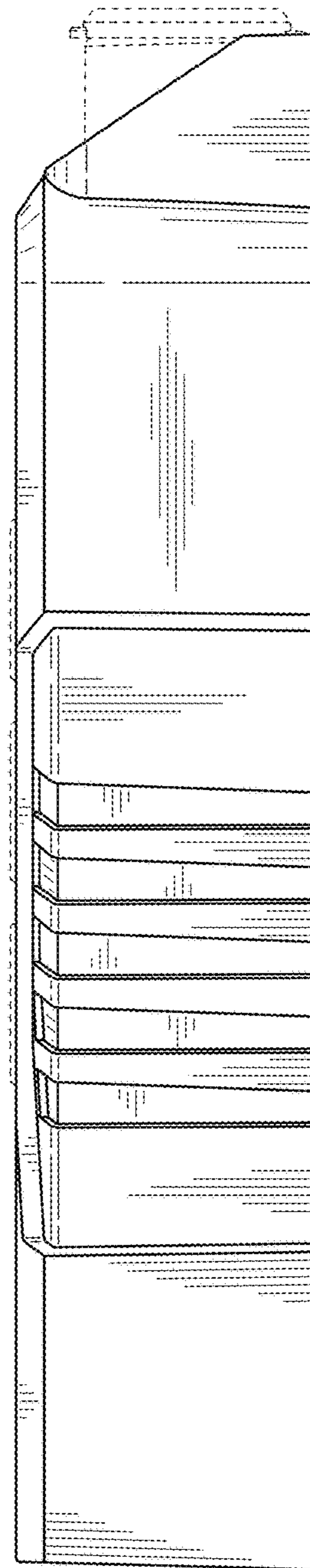


FIG. 5

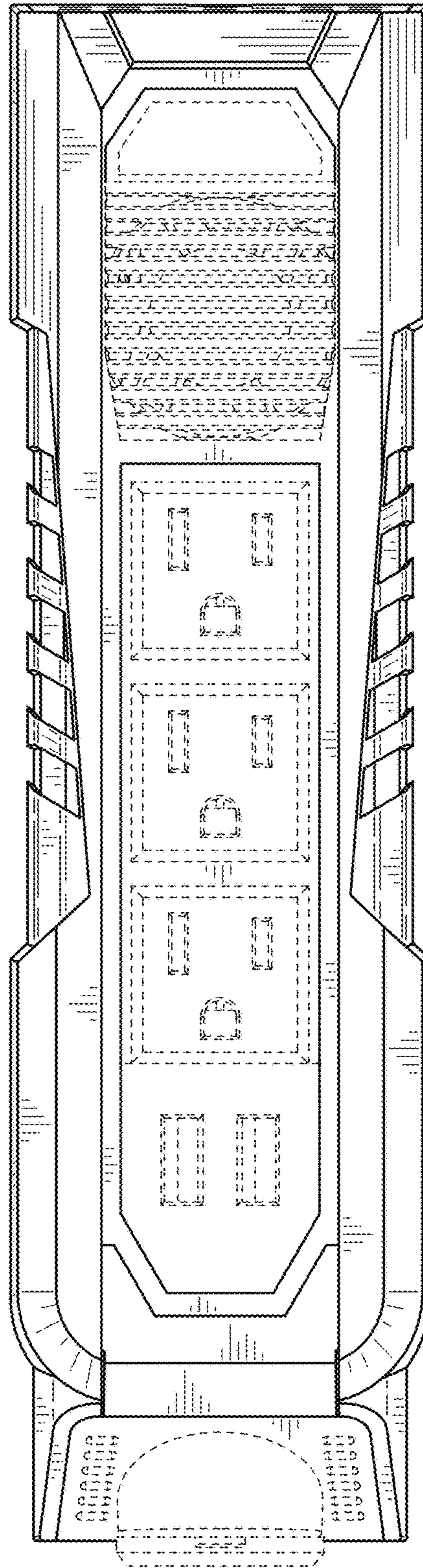


FIG. 6