



US00D806021S

(12) **United States Design Patent** (10) **Patent No.:** **US D806,021 S**
Xu (45) **Date of Patent:** **** Dec. 26, 2017**

(54) **CHARGER**
(71) Applicant: **Guangdong BESTEK E-commerce Co., Ltd.**, Shenzhen (CN)
(72) Inventor: **Xinhua Xu**, Shenzhen (CN)
(73) Assignee: **Guangdong BESTEK E-commerce Co., Ltd.**, Shenzhen (CN)

D731,970 S * 6/2015 Kamath D13/110
D756,916 S * 5/2016 Yang D13/108
D758,965 S * 6/2016 Jen D13/108
D790,464 S * 6/2017 He D13/110
D796,432 S * 9/2017 Liu D13/107
2010/0117597 A1* 5/2010 Wang H02J 7/0042
320/111
2012/0077361 A1* 3/2012 Youssefi-Shams H01R 13/44
439/172

(Continued)

(**) Term: **15 Years**

OTHER PUBLICATIONS

(21) Appl. No.: **29/578,455**

USB Wall Charger by BESTEK, reviewed on Jul. 19, 2016 on amazon.com, retrieved on Oct. 3, 2017, retrieved from the Internet URL: https://www.amazon.com/Charger-BESTEK-International-Converter-Technology/product-reviews/B0191GVDKE/ref=cm_cr_getr_d_paging_btm_20?ie=UTF8&reviewerType=avp_only_reviews&sortBy=recent&pageNumb.*

(22) Filed: **Sep. 21, 2016**

(51) **LOC (10) Cl.** **13-02**

(52) **U.S. Cl.**
USPC **D13/107**

(58) **Field of Classification Search**
USPC D13/102-110, 118-119, 184, 199;
D14/356, 432

Primary Examiner — Rosemary K Tarcza
Assistant Examiner — Alison M Ofstun

CPC Y02E 60/10; Y02E 60/12; Y02E 60/122;
Y02E 60/124; Y02E 60/50; H01M 2/02;
H01M 2/022; H01M 2/0202; H01M
2/0207; H01M 2/0212; H01M 2/1061;
H01M 2/1022; H01M 2/1055; H01M
2/1066; H01M 2/105; H01M 2/20; H01M
2/202; H01M 2/204; H01M 2/206; H01M
10/44; H01M 10/46; H01M 10/465;
H01M 10/482; H01M 2200/30; H01M
2250/30; H01M 2250/40; H02J 7/00;
H02J 7/0003; H02J 7/0011; H02J 7/0013;
H02J 7/0054; H02J 7/0055; H02J 7/0057;
H02J 2007/0062

See application file for complete search history.

(57) **CLAIM**

The ornamental design for a charger, as shown and described.

DESCRIPTION

FIG. 1 is a perspective view of a charger, showing my new design;
FIG. 2 is similar to FIG. 1, viewed from another aspect;
FIG. 3 is a front elevational view thereof;
FIG. 4 is a rear elevational view thereof;
FIG. 5 is a left side elevational view thereof;
FIG. 6 is a right side elevational view thereof;
FIG. 7 is a top plan view thereof;
FIG. 8 is a bottom plan view thereof; and,
FIG. 9 is a perspective view thereof, shown in an alternate position of use.

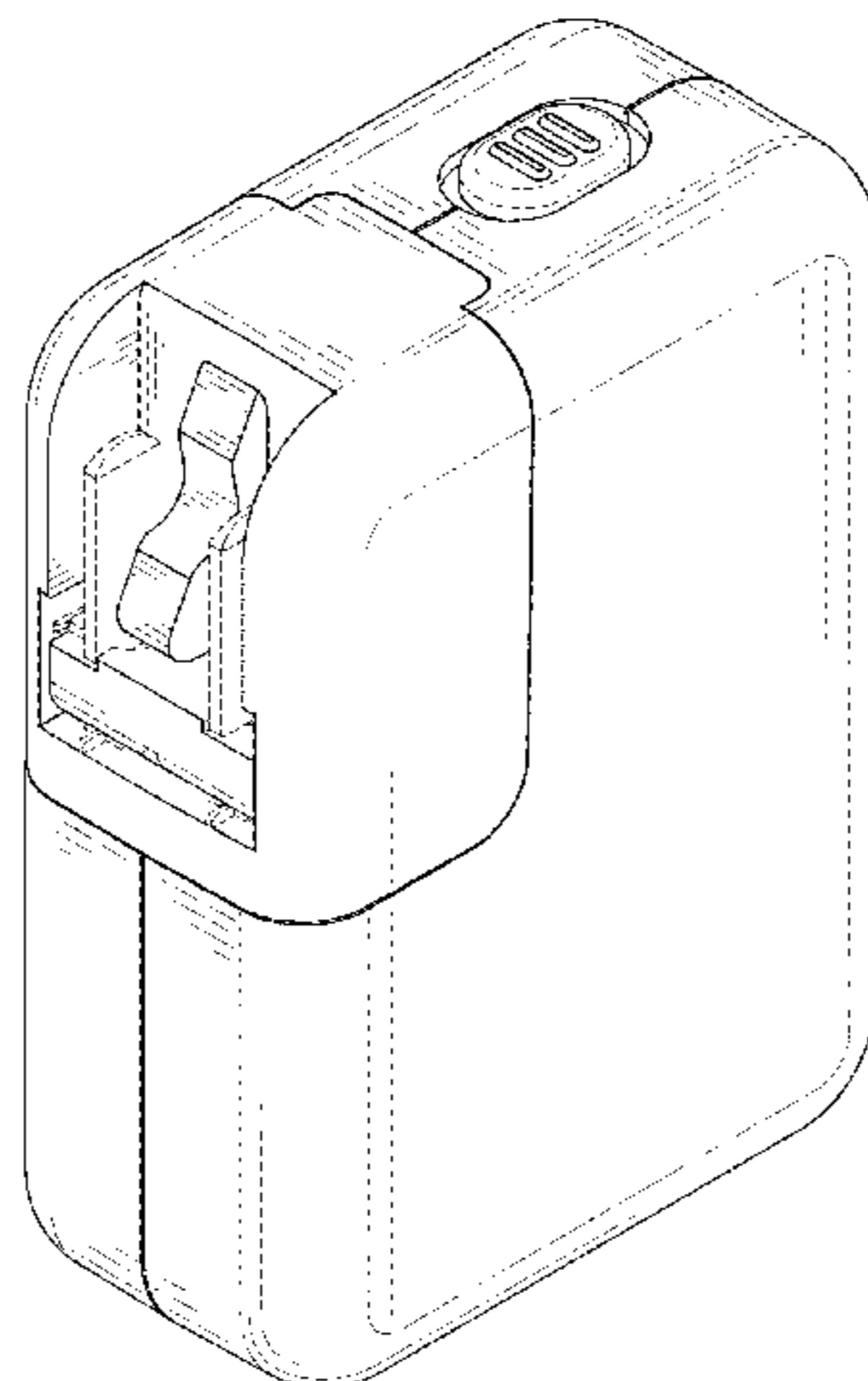
The broken lines present in the figures are included for the purpose of illustrating portions of the article which form no part of the claimed design.

(56) **References Cited**

U.S. PATENT DOCUMENTS

D650,330 S * 12/2011 Dong D13/108
D683,310 S * 5/2013 McSweyn D13/108
D711,824 S * 8/2014 Matsuoka D13/110
D715,734 S * 10/2014 Levy D13/110
D719,093 S * 12/2014 Levy D13/108

1 Claim, 9 Drawing Sheets



(56)

References Cited

U.S. PATENT DOCUMENTS

2015/0280479 A1* 10/2015 Levy H02J 7/0055
320/111

* cited by examiner

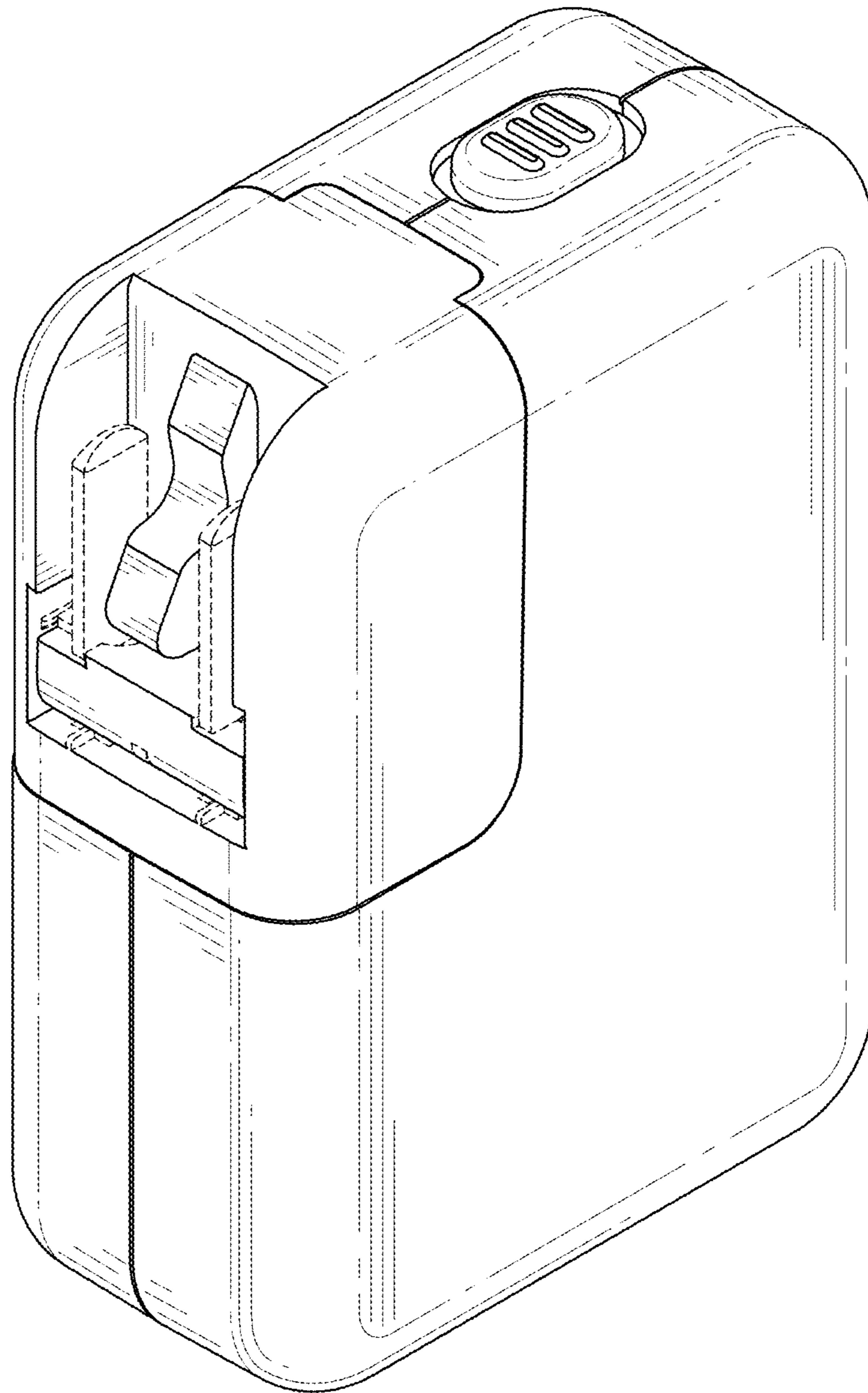


FIG. 1

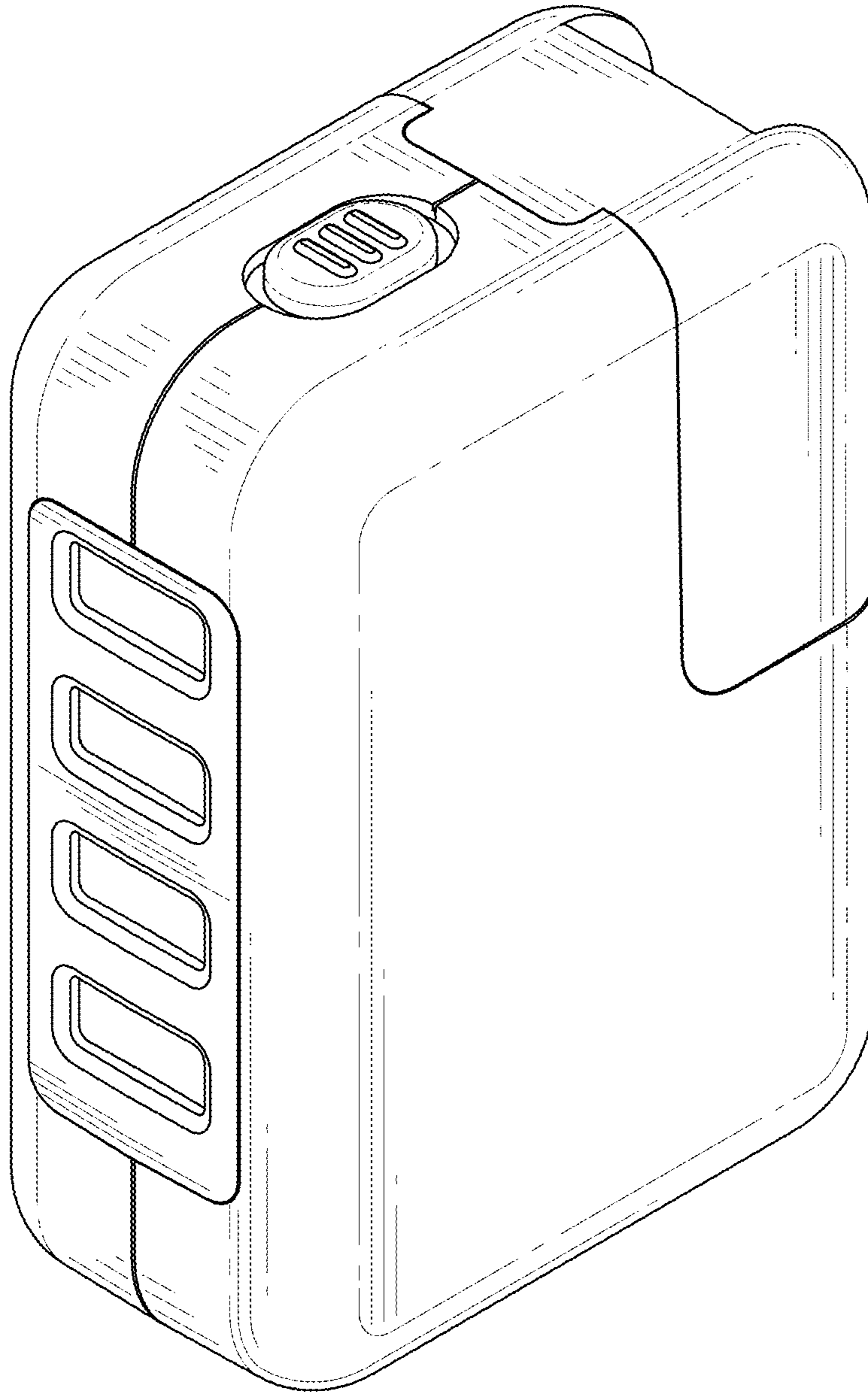


FIG. 2

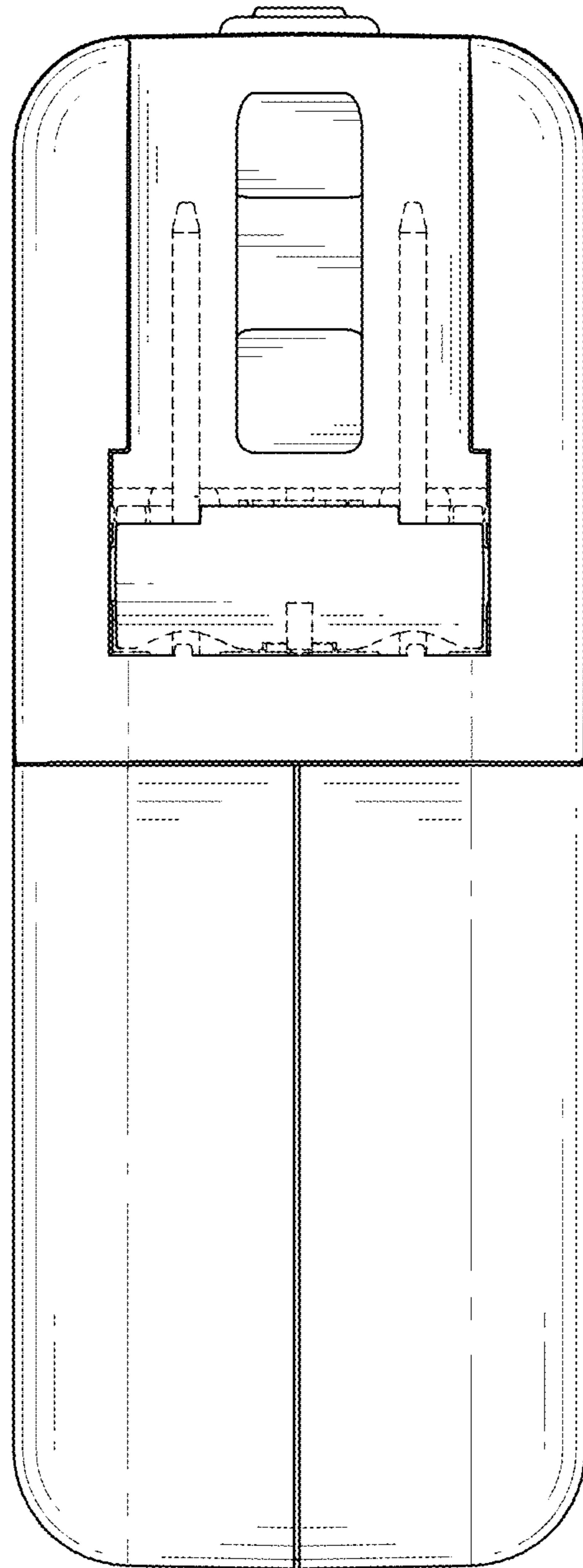


FIG. 3

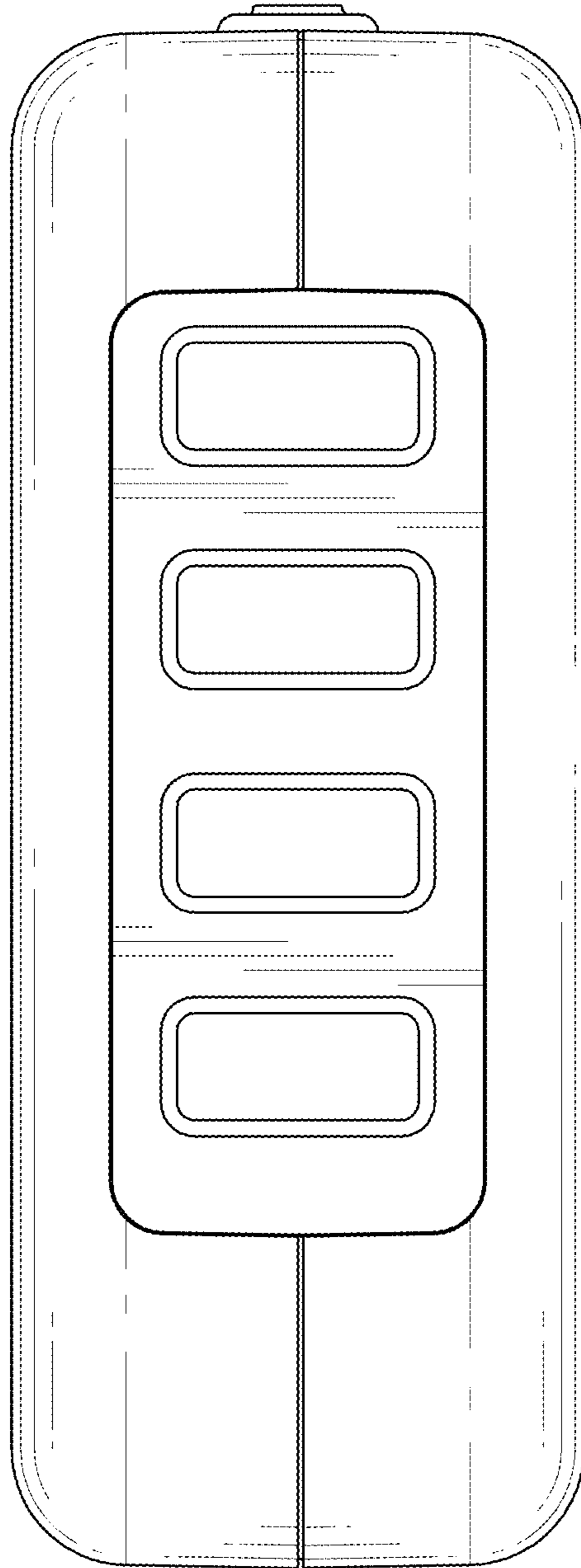


FIG. 4

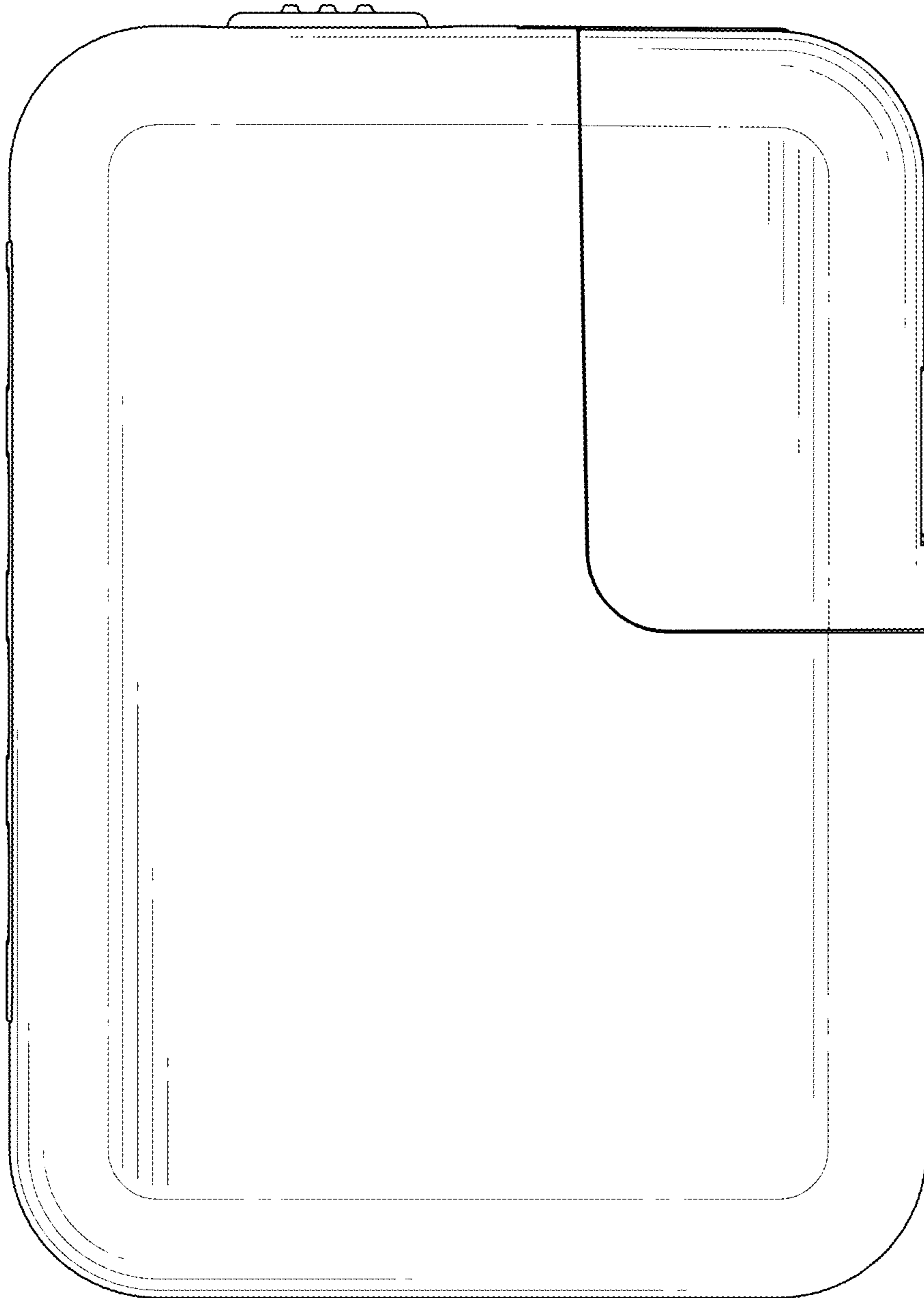


FIG. 5

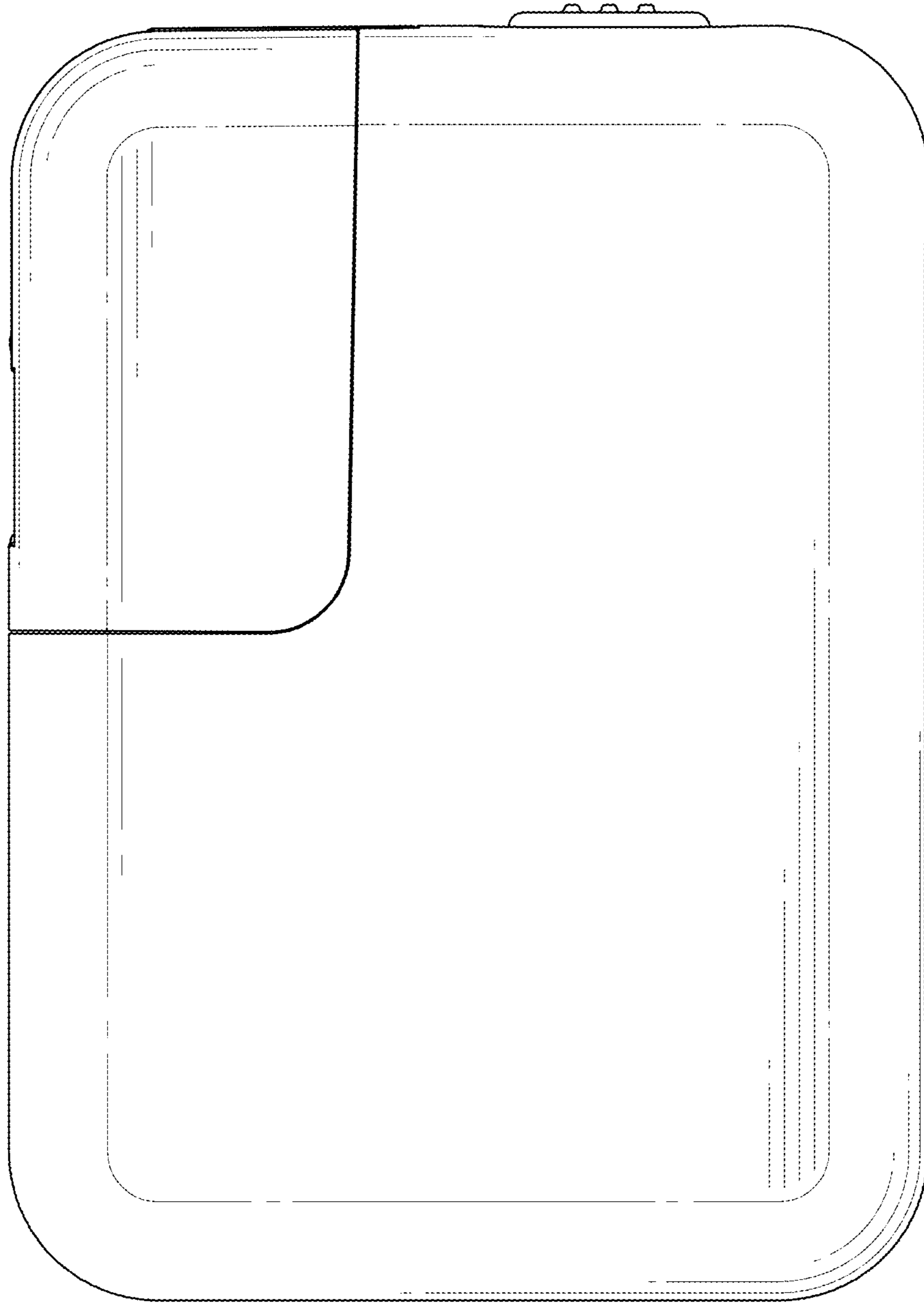


FIG. 6

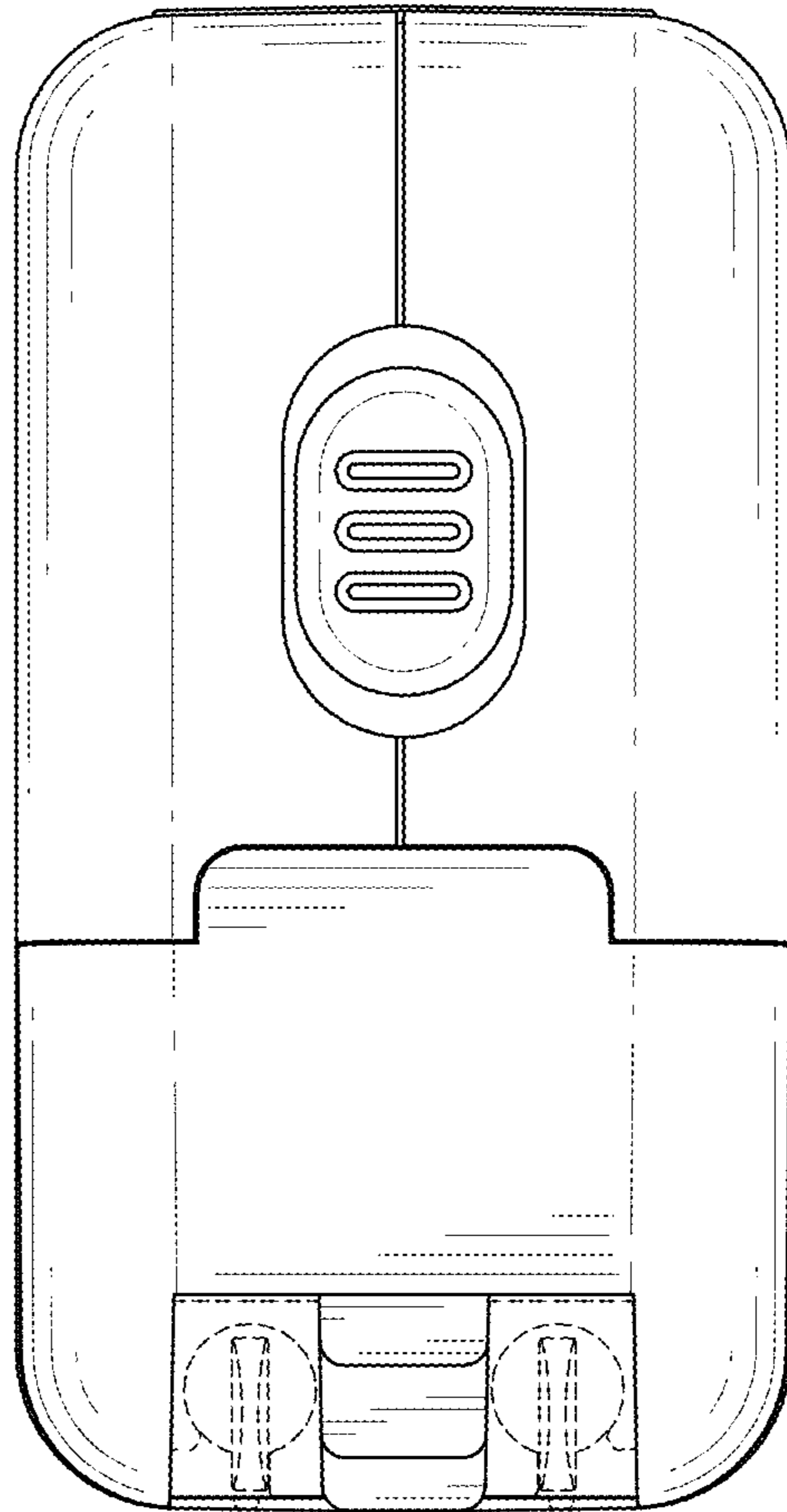


FIG. 7

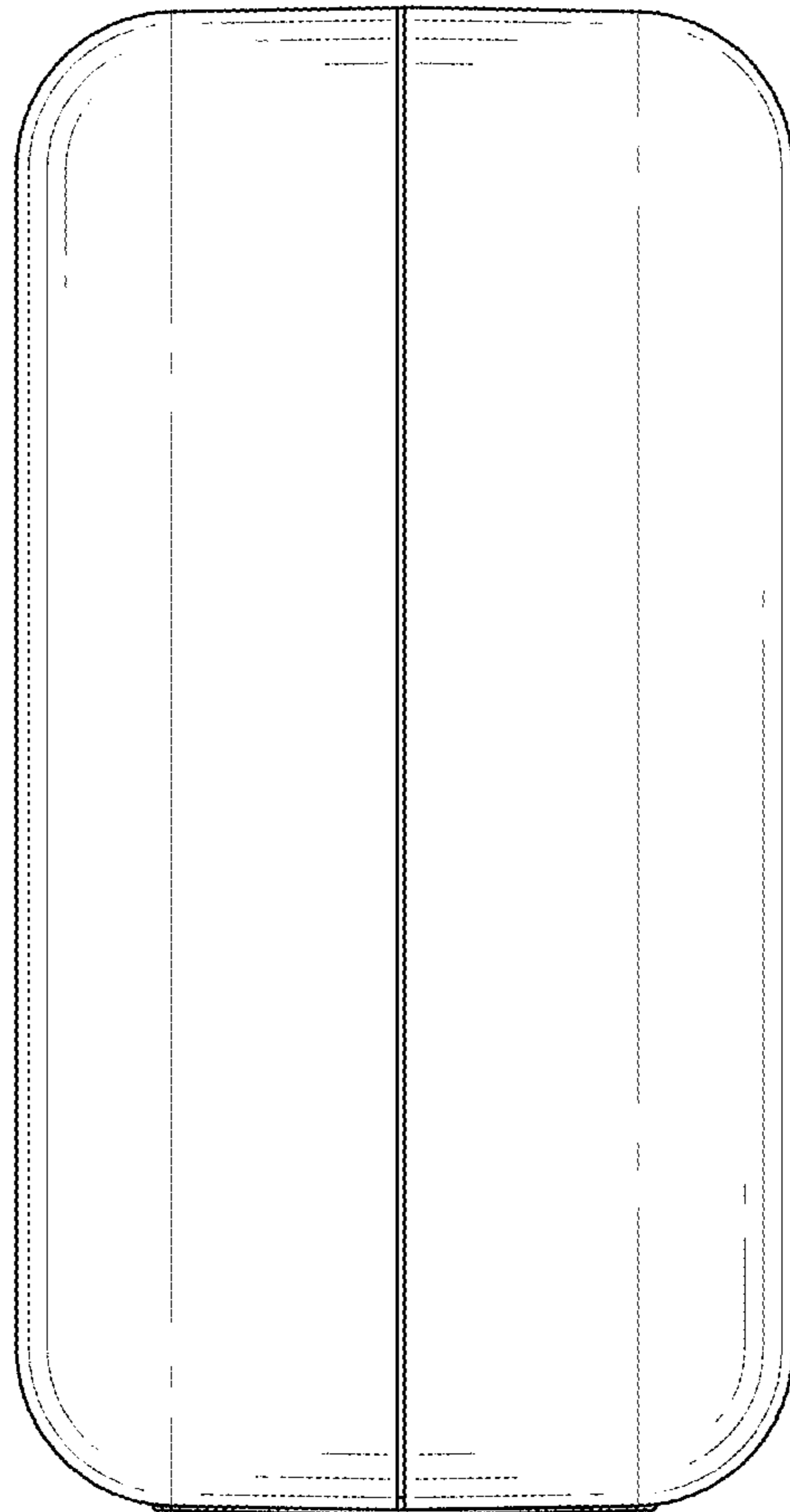


FIG. 8

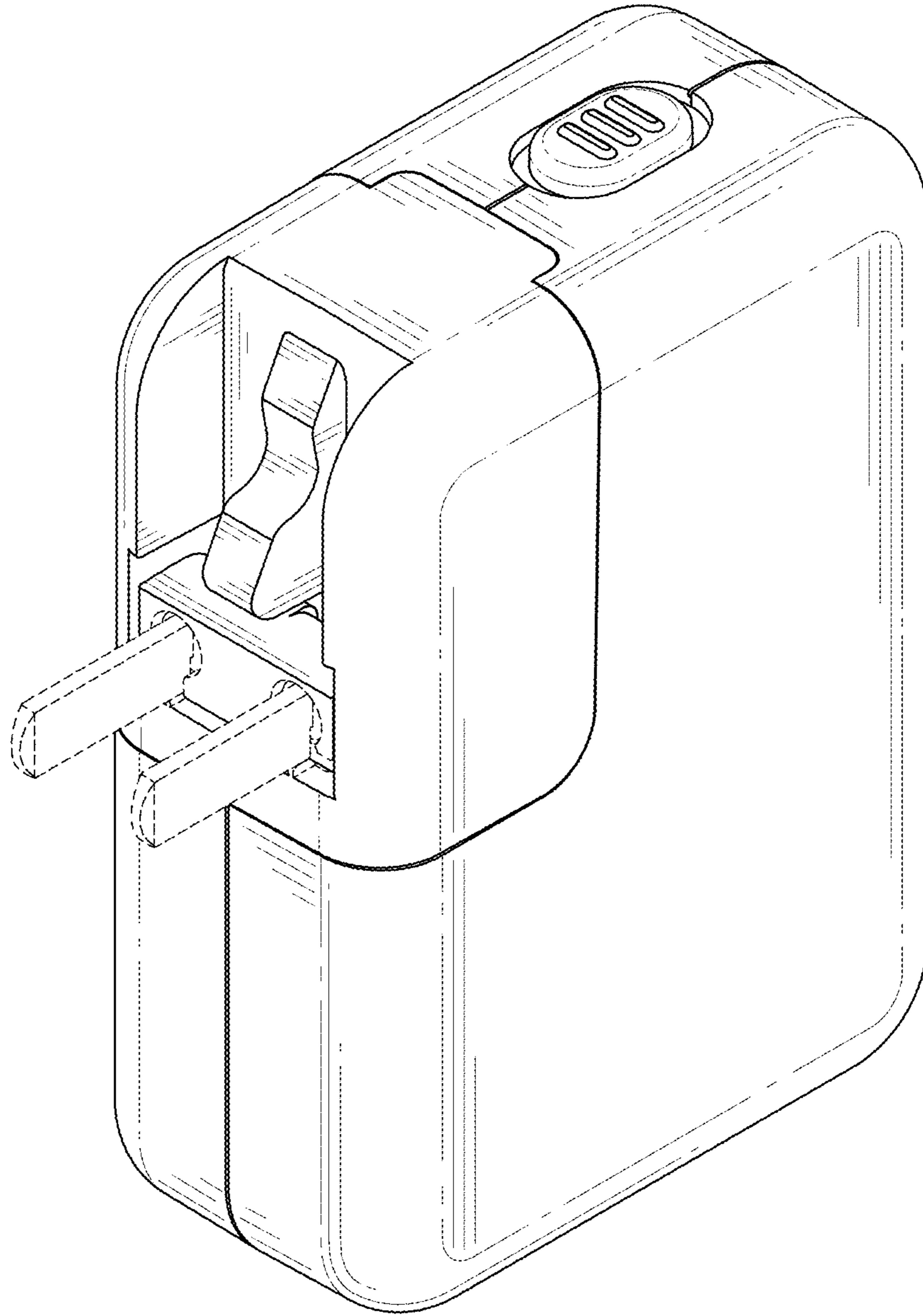


FIG. 9