



US00D806014S

(12) **United States Design Patent** (10) **Patent No.:** **US D806,014 S**
Saitou et al. (45) **Date of Patent:** **** Dec. 26, 2017**

(54) **THERMOELECTRIC CONVERSION MODULE**

(71) Applicant: **Panasonic Intellectual Property Management Co., Ltd.**, Osaka (JP)

(72) Inventors: **Yui Saitou**, Osaka (JP); **Hiroki Ikeuchi**, Kyoto (JP); **Satoshi Maeshima**, Kyoto (JP); **Hiroyuki Sakamoto**, Kyoto (JP)

(73) Assignee: **Panasonic Intellectual Property Management Co., Ltd.**, Osaka (JP)

(**) Term: **15 Years**

(21) Appl. No.: **29/592,009**

(22) Filed: **Jan. 25, 2017**

(30) **Foreign Application Priority Data**

Jul. 28, 2016 (JP) 2016-016105

(51) **LOC (10) Cl.** **13-02**

(52) **U.S. Cl.**
USPC **D13/102**

(58) **Field of Classification Search**

USPC D13/102, 101, 103, 107, 108, 199;
126/569, 604, 615, 626; 136/206, 243,
136/244, 245, 252; 320/101, 102, 120
CPC . H01L 31/048; H01L 31/052; H01L 31/0735;
H01L 31/0504; H01L 31/0543; H01L
31/0547; H01L 31/02008; H01L
31/02168; Y02E 10/52; Y02E 10/544
See application file for complete search history.

(56) **References Cited**

U.S. PATENT DOCUMENTS

D257,893 S * 1/1981 Millhollen D13/102
D383,113 S * 9/1997 Grandinetti D13/102

D588,534 S * 3/2009 Sharma D13/102
D602,855 S * 10/2009 Lu D13/102
D606,489 S * 12/2009 Sasada D13/102
D652,374 S * 1/2012 Mercer D13/102
D708,569 S * 7/2014 Beckerman D13/102
D721,326 S * 1/2015 Brown D13/102
2008/0123313 A1* 5/2008 Horne H01L 31/052
361/807
2011/0263067 A1* 10/2011 Vaid H01L 31/052
438/65

FOREIGN PATENT DOCUMENTS

JP 2009-200507 9/2009

* cited by examiner

Primary Examiner — Derrick Holland

(74) *Attorney, Agent, or Firm* — Panasonic IP Management; Kerry S. Culpepper

(57) **CLAIM**

We claim the ornamental design for a thermoelectric conversion module, as shown and described.

DESCRIPTION

FIG. 1 is a front perspective view of a thermoelectric conversion module of the present invention;
FIG. 2 is a front view thereof;
FIG. 3 is a rear view thereof;
FIG. 4 is a first side view thereof;
FIG. 5 is a second side view thereof;
FIG. 6 is a top view thereof; and,
FIG. 7 is a bottom view thereof.

1 Claim, 7 Drawing Sheets

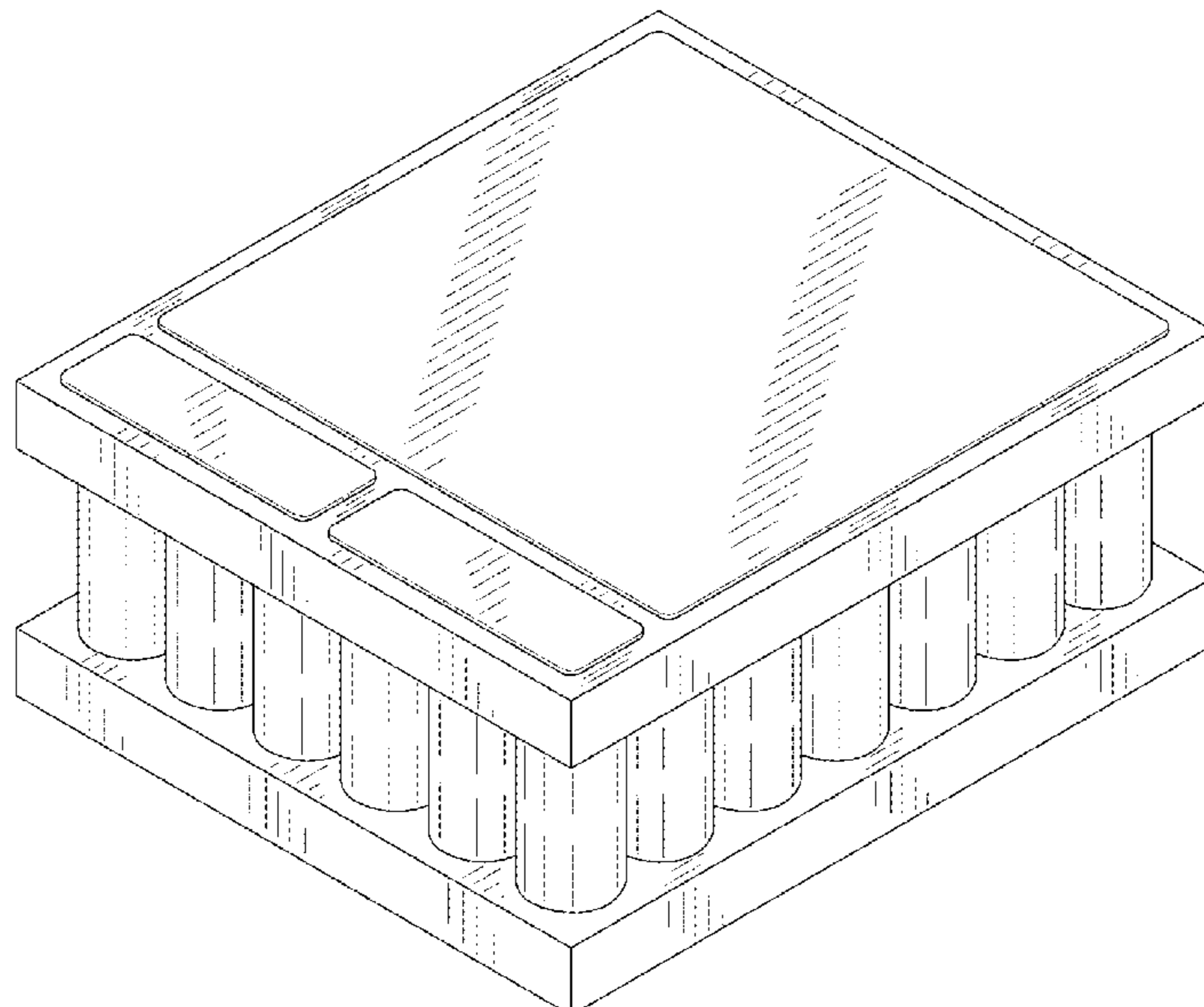


FIG. 1

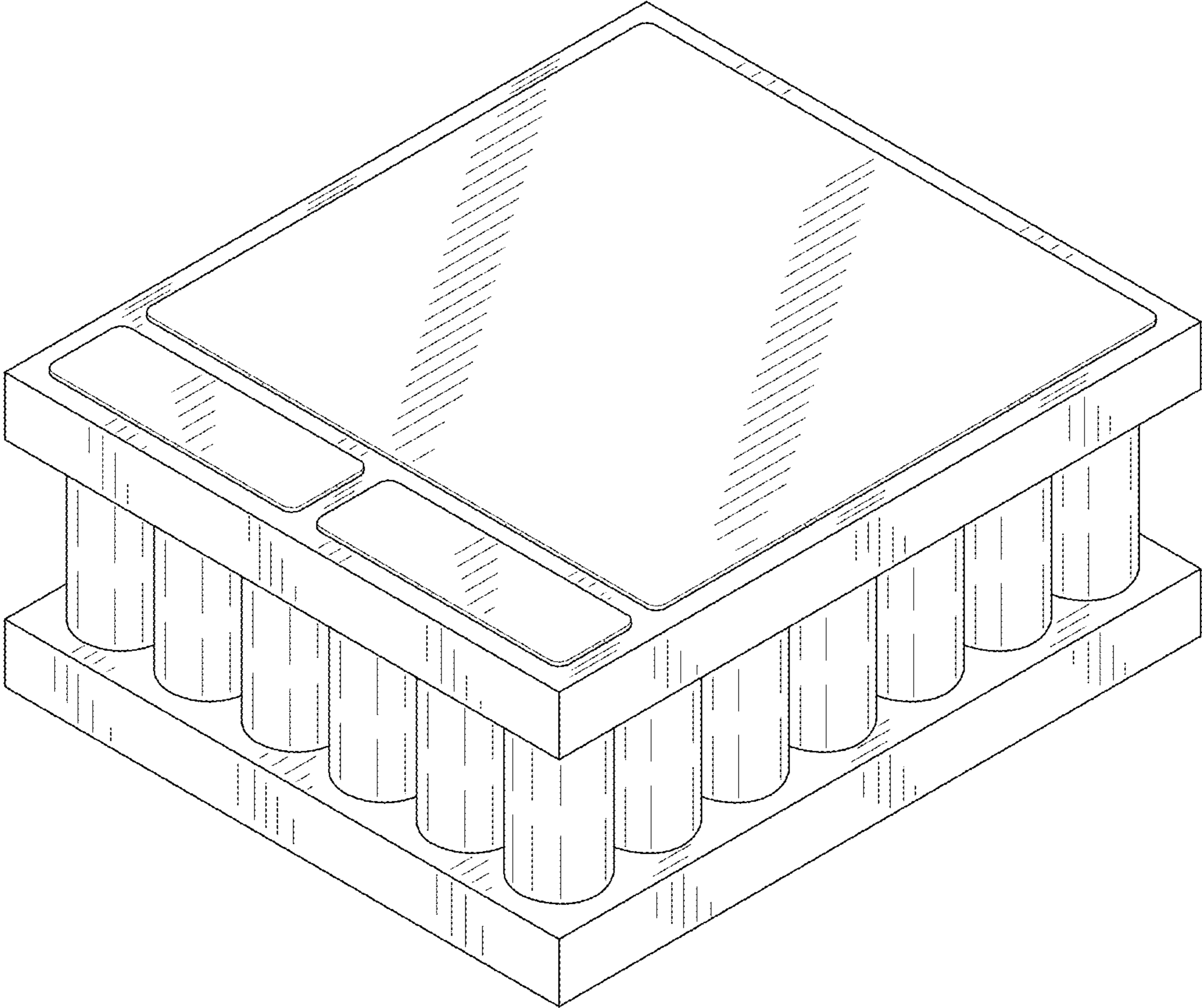


FIG. 2

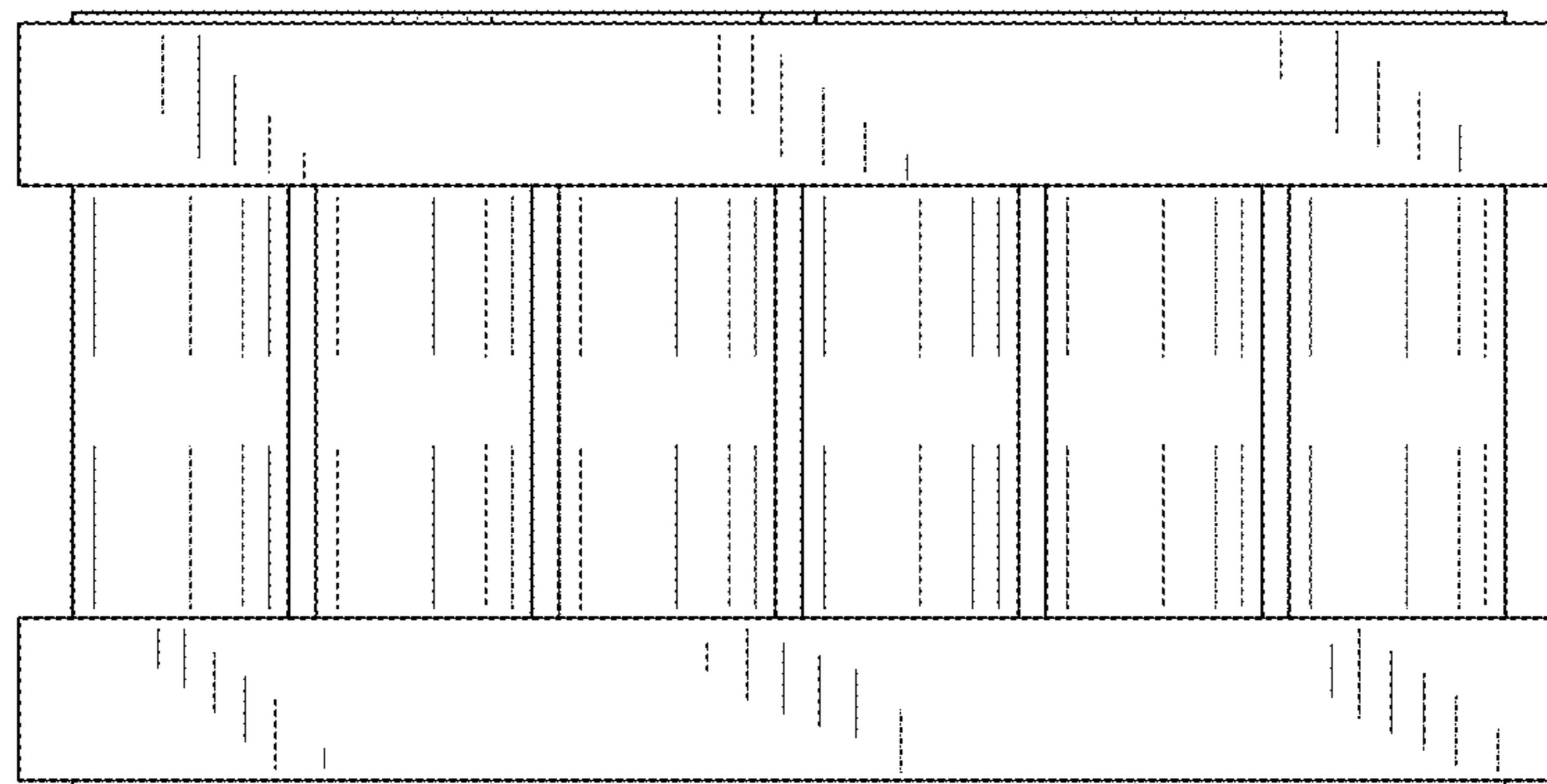


FIG. 3

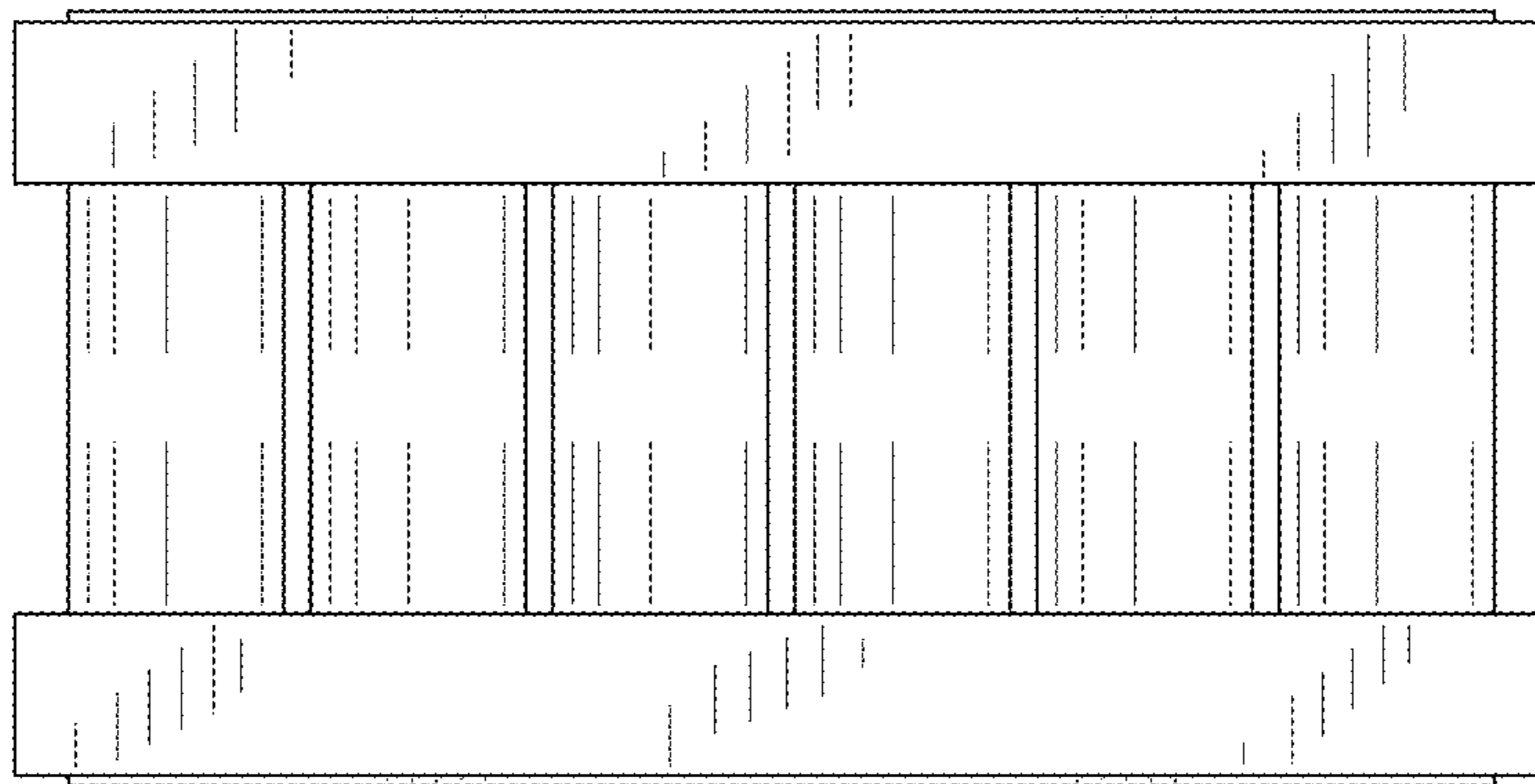


FIG. 4

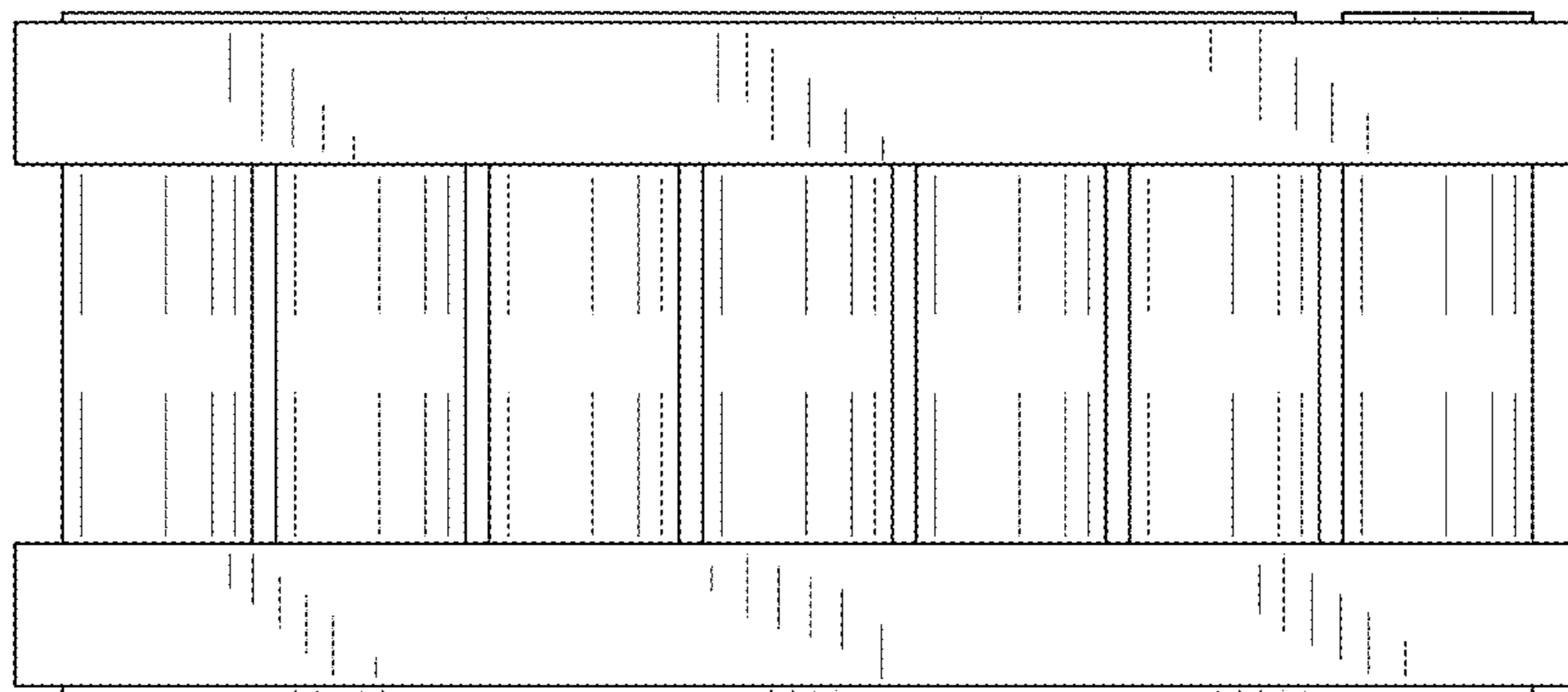


FIG. 5

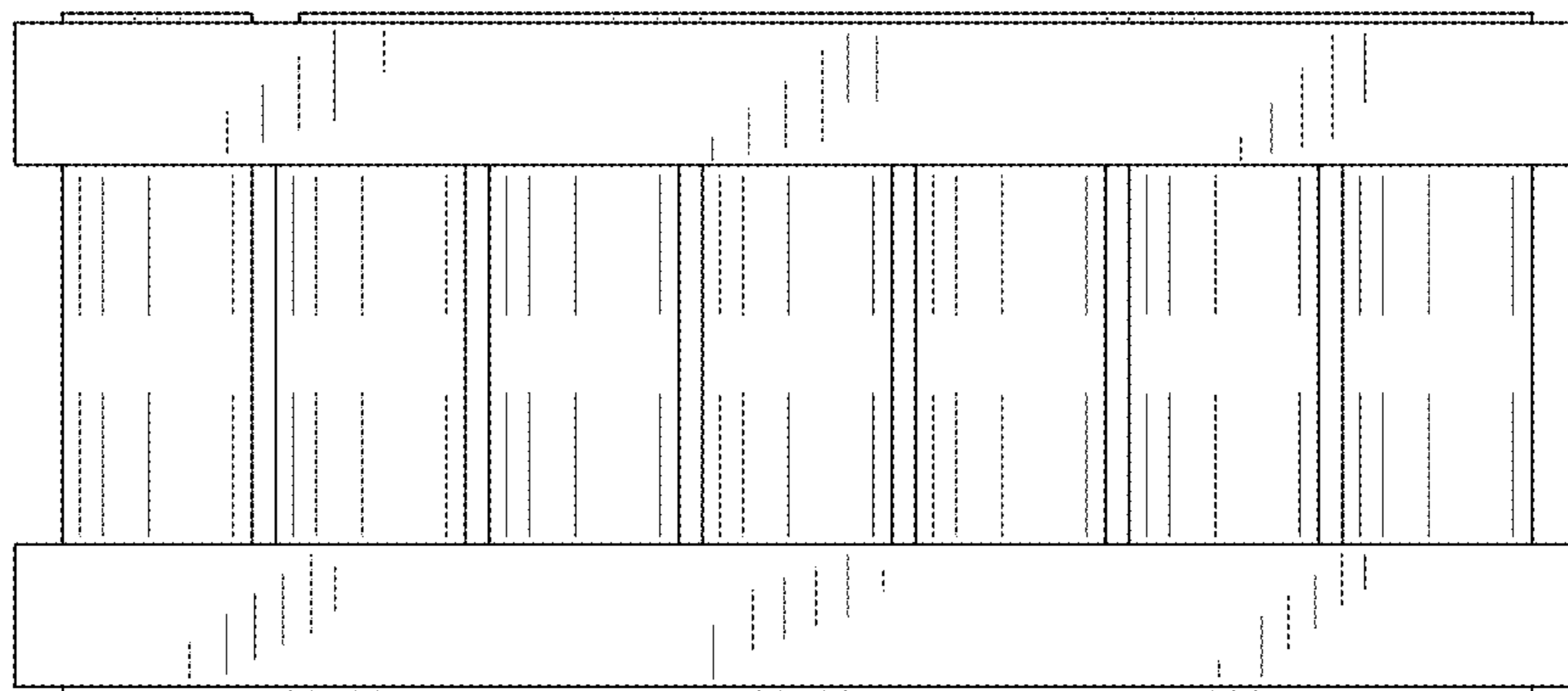


FIG. 6

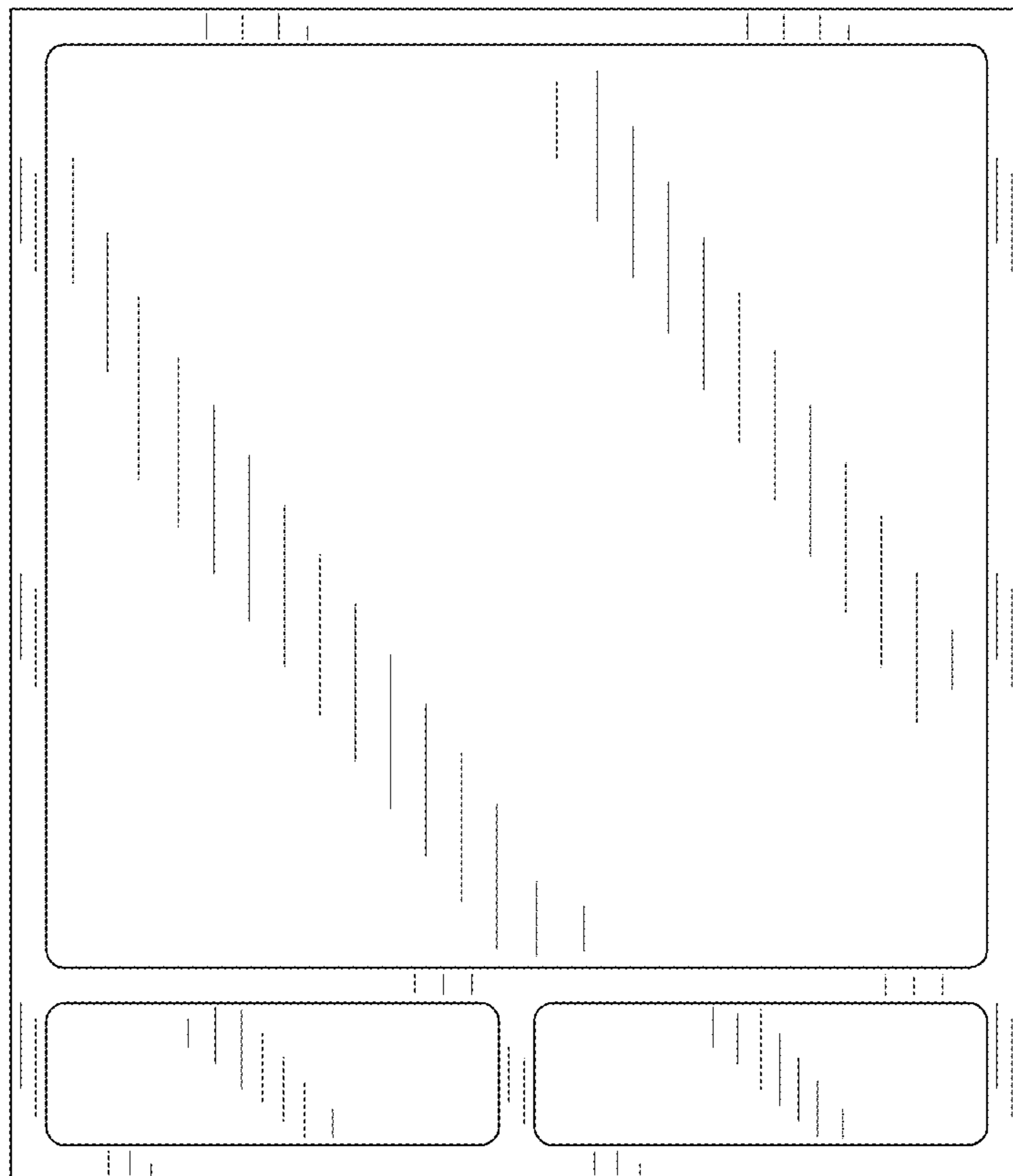


FIG. 7

