



US00D806013S

(12) **United States Design Patent**
Mascolo et al.

(10) **Patent No.:** **US D806,013 S**

(45) **Date of Patent:** **** Dec. 26, 2017**

(54) **MOUNT BODY FOR A SOLAR PANEL**

(71) Applicant: **OB Realty, LLC**, Irvine, CA (US)

(72) Inventors: **Gianluigi Mascolo**, Milpitas, CA (US);
Jason Zerweck, Milpitas, CA (US);
Jonathan D. Albert, Milpitas, CA (US)

(73) Assignee: **OB REALTY, LLC**, Irvine, CA (US)

(**) Term: **15 Years**

(21) Appl. No.: **29/568,499**

(22) Filed: **Jun. 19, 2016**

(51) **LOC (10) Cl.** **13-02**

(52) **U.S. Cl.**
USPC **D13/102**

(58) **Field of Classification Search**
USPC D6/300, 301, 302, 308, 310, 566;
D8/323, 333, 343, 344, 349, 354, 355,
D8/356, 363, 373, 376, 377, 380, 381,
D8/382, 394, 396, 400; D13/101, 102,
D13/103, 118, 119, 184, 199; D26/1, 2,
D26/37, 41, 61, 68, 70, 74, 96, 107, 142
CPC H01L 31/00; Y02E 10/00; Y02E 10/40;
Y02E 10/41; Y02E 10/42; Y02E 10/43;
Y02E 10/44; Y02E 10/45; Y02E 10/46;
Y02E 10/47; Y02E 10/50; Y02E 10/51;
Y02E 10/52; Y02B 10/00; H02S 10/00;
H02S 20/00; H02S 20/10; H02S 20/21;
H02S 20/22; H02S 20/23; H02S 20/24;
H02S 20/25; H02S 20/26; H02S 20/30;
H02S 20/32

See application file for complete search history.

(56) **References Cited**

U.S. PATENT DOCUMENTS

6,672,018 B2 * 1/2004 Shingleton F24J 2/5205
126/621
D710,298 S * 8/2014 Jie D13/102

D743,329 S * 11/2015 Aiken D13/102
D784,593 S * 4/2017 Ambrozus D26/74
2014/0182662 A1 * 7/2014 West F24J 2/5264
136/251
2015/0107669 A1 * 4/2015 Gotoh C09K 3/1018
136/259
2016/0315580 A1 * 10/2016 Patton H01L 31/042
(Continued)

OTHER PUBLICATIONS

Van Dwelling Renos, posted at Alifemadesimple.blogspot.com,
posted on Oct. 24, 2012, [online], [site visited May 5, 2017].
Available from Internet, <<http://alifemadesimple.blogspot.com/2012/10/van-dwelling-renos-2-installing-our.html>>.*

(Continued)

Primary Examiner — Mary Ann Calabrese
Assistant Examiner — Catherine Ho
(74) *Attorney, Agent, or Firm* — Howard IP Law Group,
PC

(57) **CLAIM**

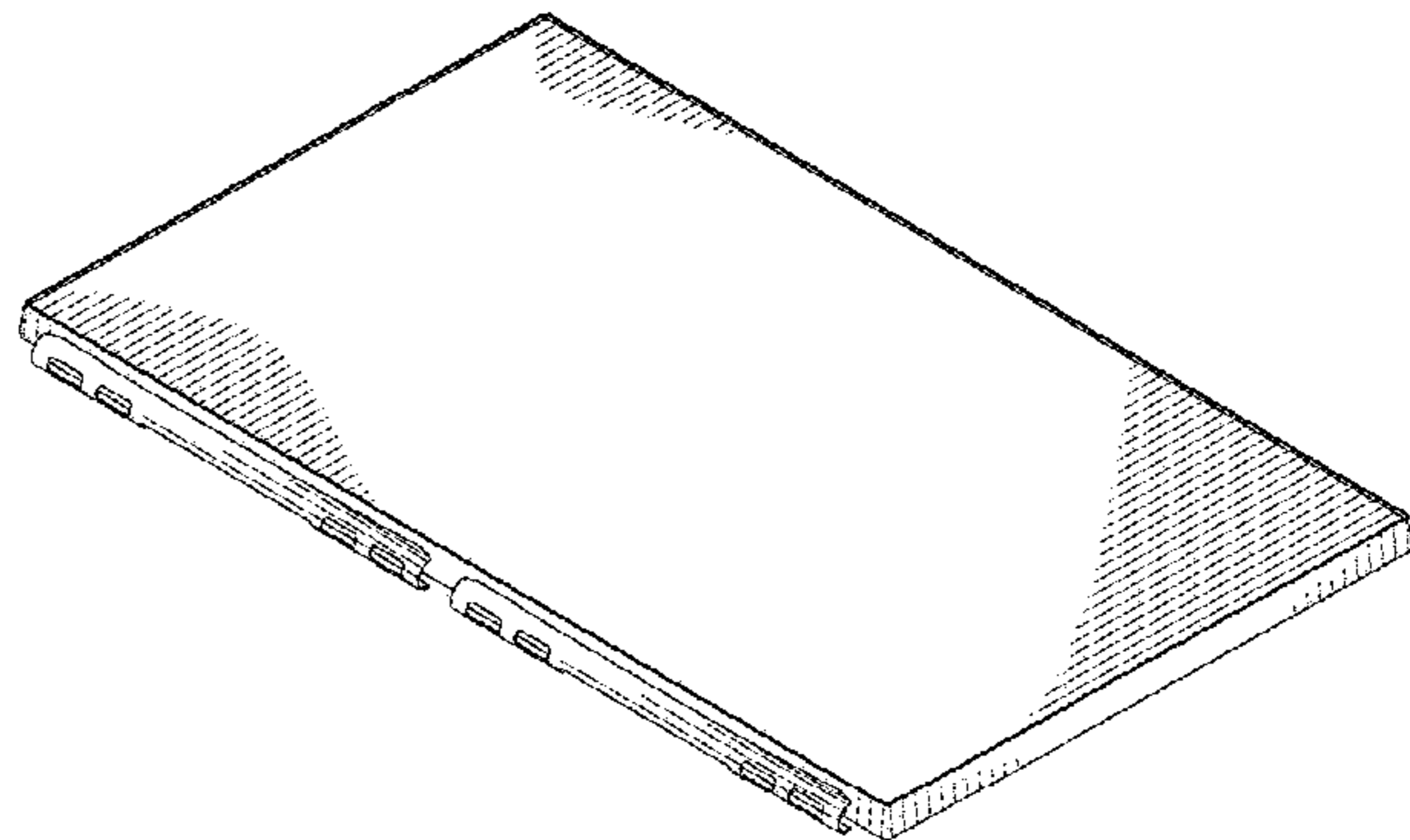
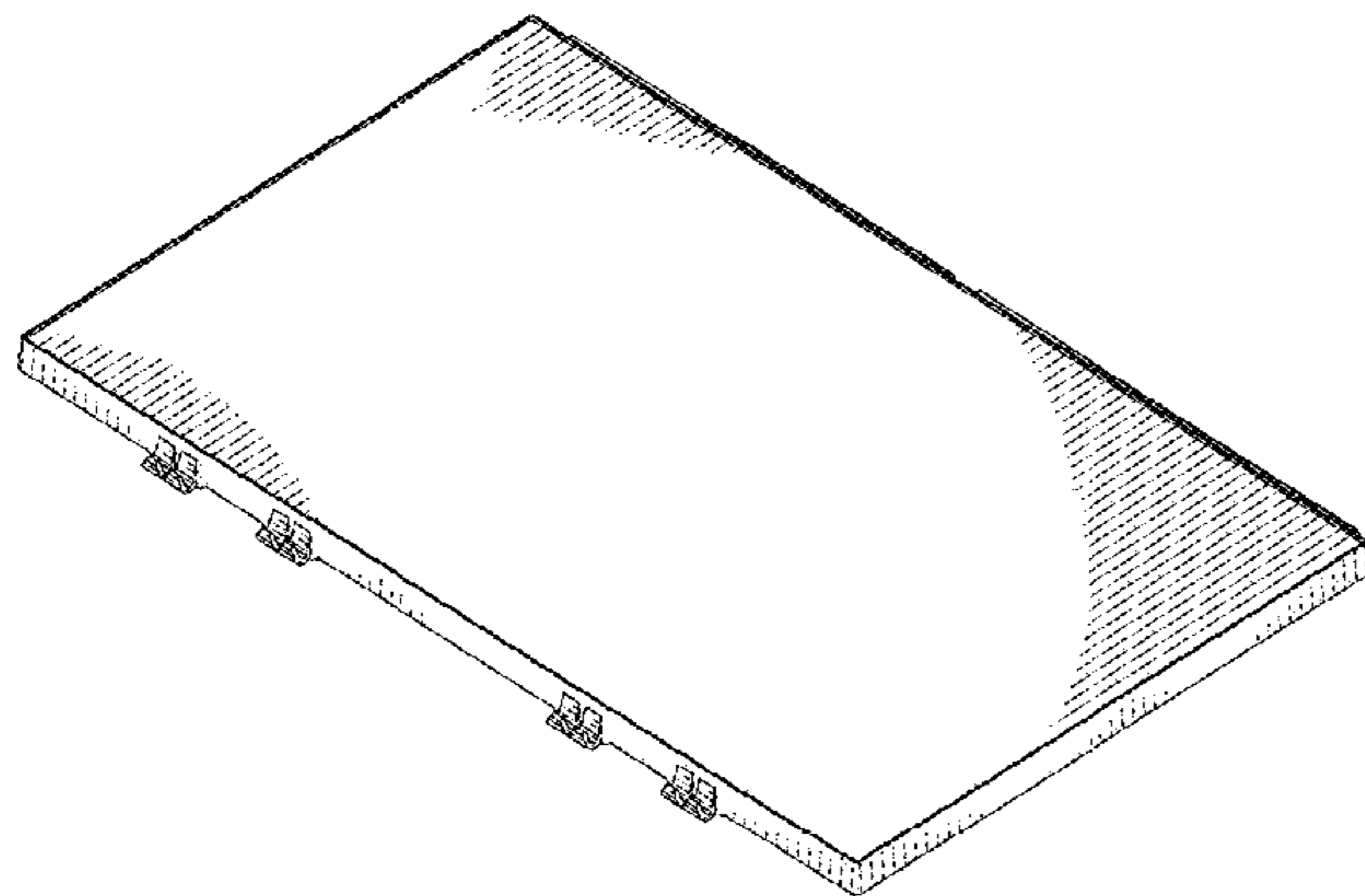
The ornamental design for a mount body for a solar panel,
as shown and described.

DESCRIPTION

FIG. 1 is a top front perspective view of a mount body for
a solar panel showing our new design;
FIG. 2 is a top rear perspective view thereof;
FIG. 3 is a front view thereof;
FIG. 4 is a rear view thereof;
FIG. 5 is a left side view thereof;
FIG. 6 is a right side view thereof;
FIG. 7 is a top view thereof; and,
FIG. 8 is a bottom view thereof.

The broken lines shown represent unclaimed subject matter
and form no part of the claimed design, including the
disclaimed portion of the bottom of the mount body for a
solar panel shown in FIG. 8.

1 Claim, 5 Drawing Sheets



(56)

References Cited

U.S. PATENT DOCUMENTS

2017/0104118 A9* 4/2017 West H01L 31/042

OTHER PUBLICATIONS

Installing a Renogy 200W, posted at Loveyourrv.com, posted at Dec. 27, 2014, [online], [site visited May 5, 2017]. Available from Internet, <[http://www.loveyourrv.com/installing-renogy-200w-solar-kit-rv/#!gallery\[3\]/ML/11369](http://www.loveyourrv.com/installing-renogy-200w-solar-kit-rv/#!gallery[3]/ML/11369)>.*

* cited by examiner

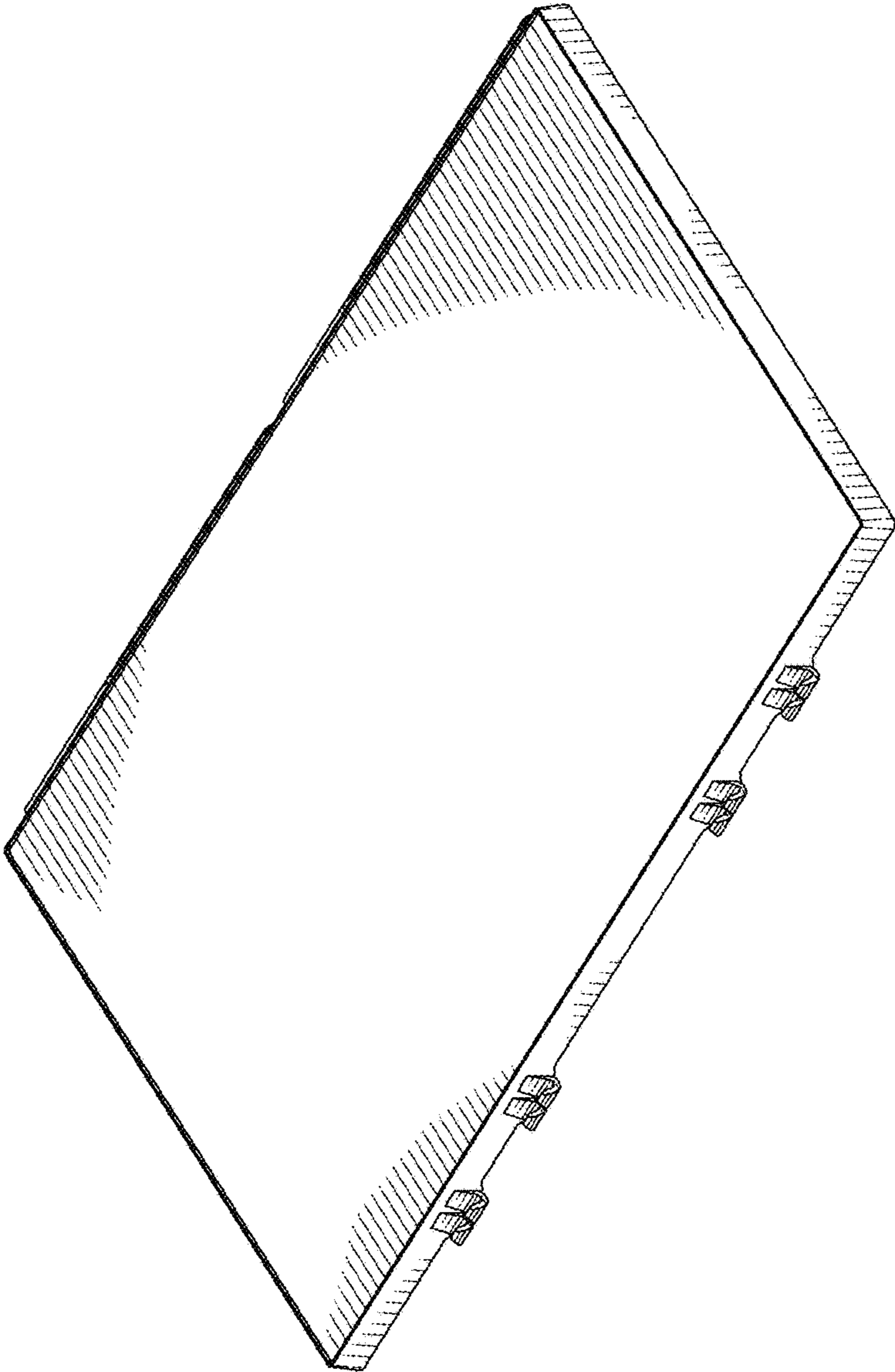


FIG. 1

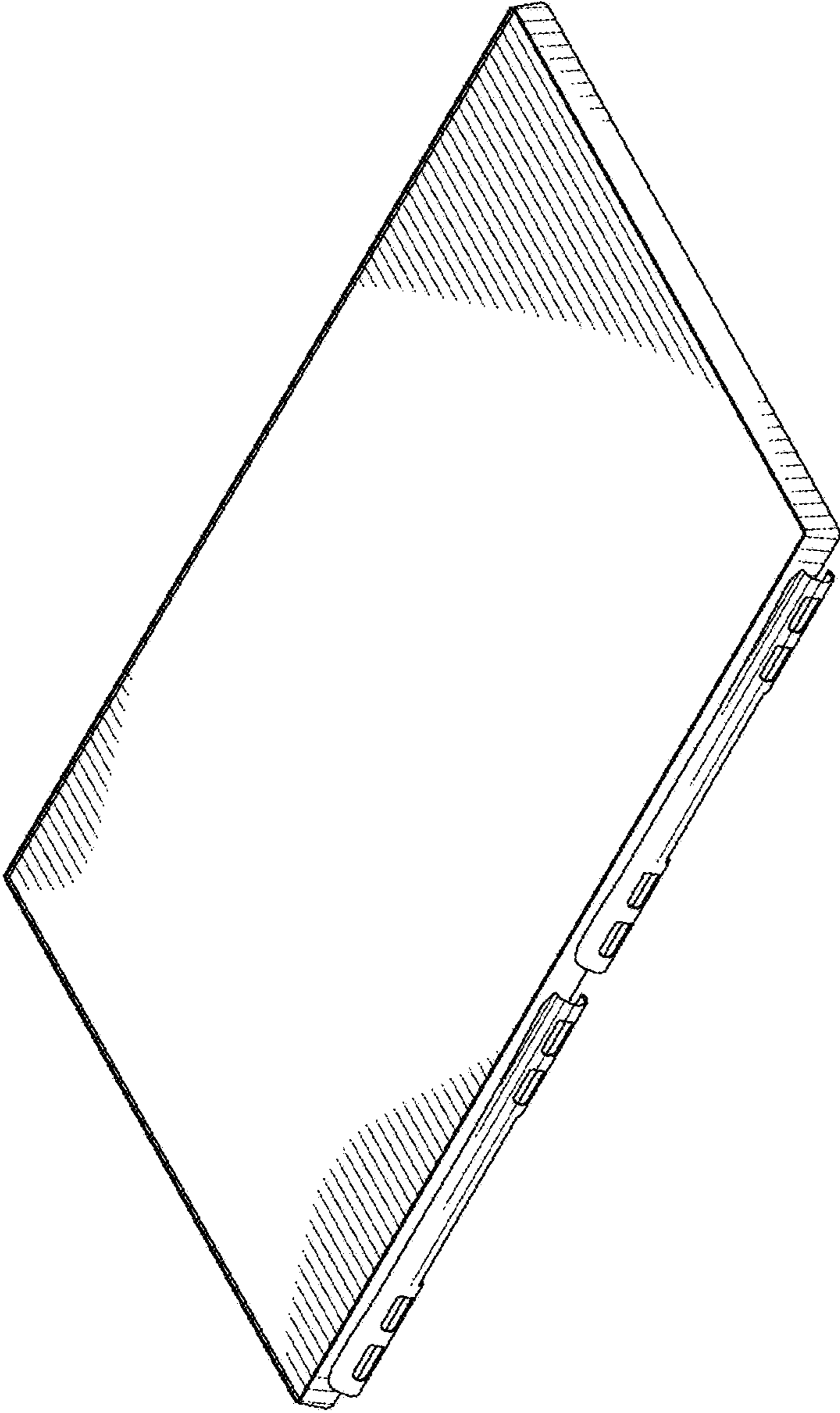


FIG. 2

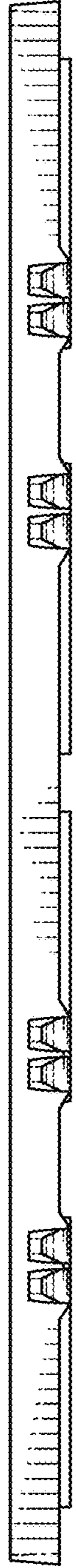


FIG. 3



FIG. 4

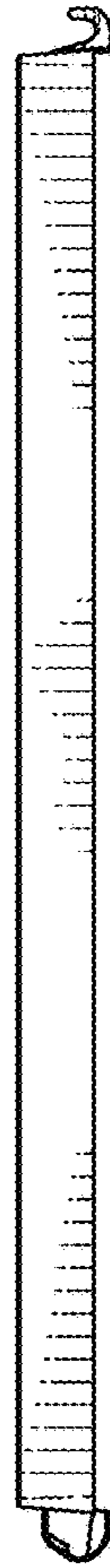


FIG. 5



FIG. 6

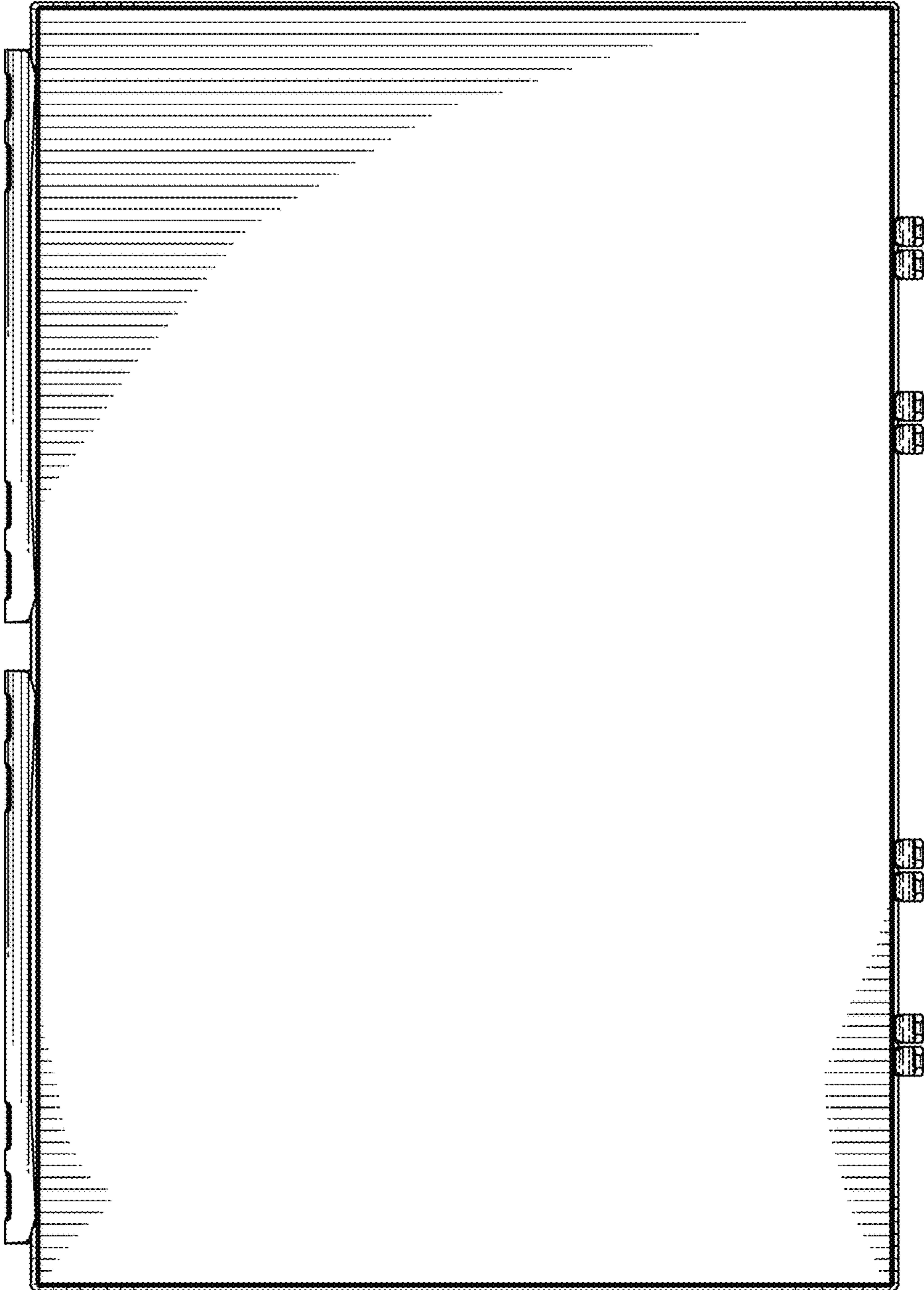


FIG. 7

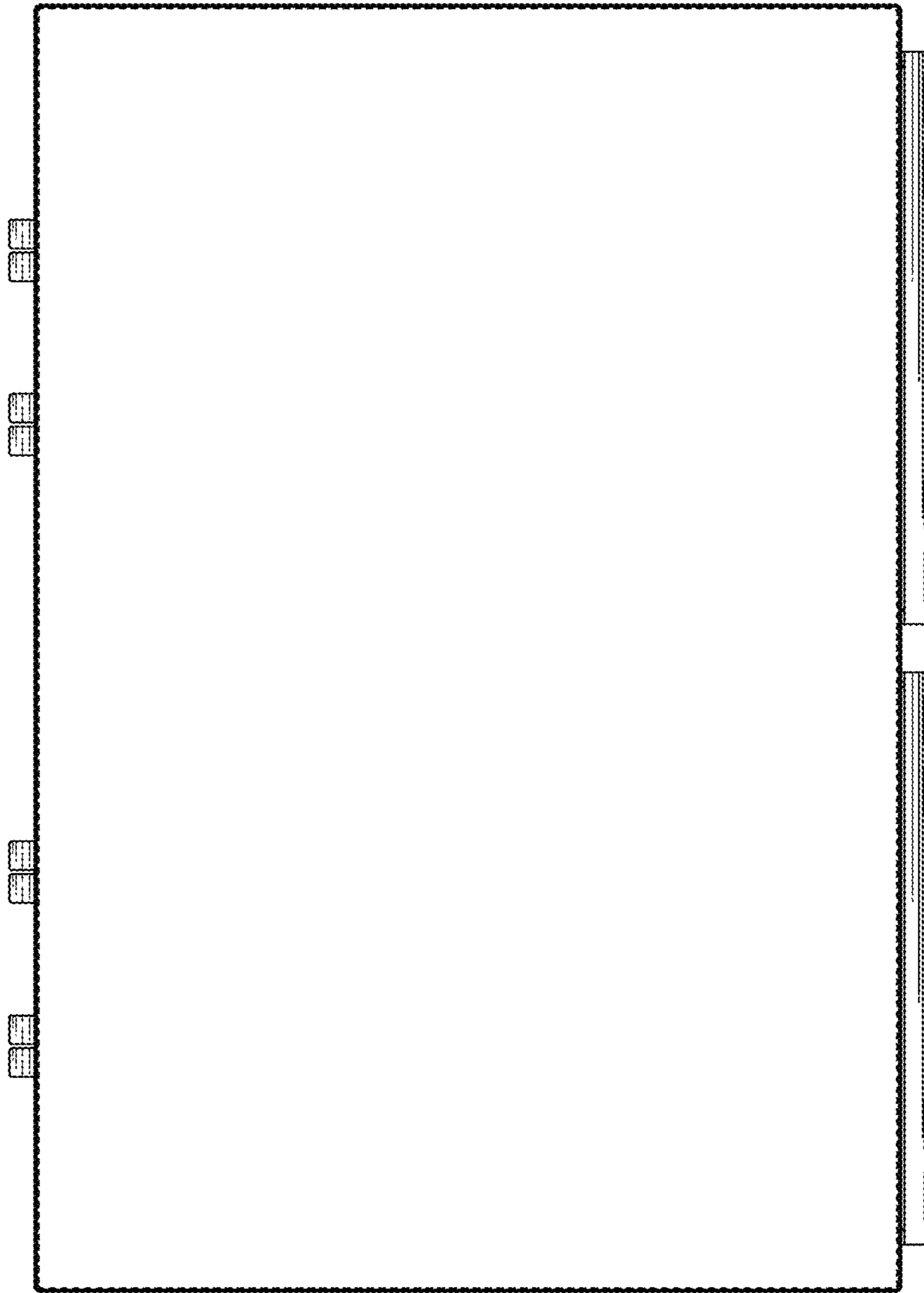


FIG. 8