



US00D806009S

(12) **United States Design Patent** (10) **Patent No.:** **US D806,009 S**
Ishikawa (45) **Date of Patent:** **** Dec. 26, 2017**

(54) **TIRE SIDEWALL**
(71) Applicant: **BRIDGESTONE CORPORATION,**
Tokyo (JP)

D750,015 S * 2/2016 Scheifele D12/605
D750,553 S * 3/2016 Scheifele D12/605
D773,985 S * 12/2016 Sakamoto D12/605
D778,816 S * 2/2017 Tokizaki D12/605
D791,693 S * 7/2017 Iwabuchi D12/605

(72) Inventor: **Naoko Ishikawa,** Tokyo (JP)
(73) Assignee: **BRIDGESTONE CORPORATION,**
Chuo-ku, Tokyo (JP)

FOREIGN PATENT DOCUMENTS

JP 2006-256433 A 9/2006
WO 2012/004947 A1 1/2012

(**) Term: **15 Years**
(21) Appl. No.: **29/572,172**
(22) Filed: **Jul. 26, 2016**

OTHER PUBLICATIONS

Communication dated Jul. 26, 2016 from the Japanese Patent Office in counterpart Design Application No. 2016-001607.

* cited by examiner

(30) **Foreign Application Priority Data**
Jan. 27, 2016 (JP) 2016-001607
(51) **LOC (10) Cl.** **12-15**
(52) **U.S. Cl.**
USPC **D12/605**
(58) **Field of Classification Search**
USPC D12/604, 605
CPC B60C 13/00; B60C 1/00
See application file for complete search history.

Primary Examiner — George D. Kirschbaum
Assistant Examiner — Clese Moore, Jr.
(74) *Attorney, Agent, or Firm* — Sughrue Mion, PLLC

(57) **CLAIM**
The ornamental design for a tire sidewall, as shown and described.

DESCRIPTION

FIG. 1 is a perspective view of a tire sidewall showing my design;
FIG. 2 is a front view thereof;
FIG. 3 is a top view thereof;
FIG. 4 is a right side view thereof;
FIG. 5 is a rear view thereof;
FIG. 6 is a fragmentary enlarged view showing the details of the sidewall defined by cross-section by lines 6-6 and 6-6 in FIG. 2; and,
FIG. 7 is a section view taken along line 7-7 between 7-7 in FIG. 6.
The broken lines are used to show unclaimed environment, and thus form no part of the claimed design.

(56) **References Cited**
U.S. PATENT DOCUMENTS
D413,289 S * 8/1999 Ratliff, Jr. D12/605
D450,274 S * 11/2001 Ratliff, Jr. D12/605
D477,810 S * 7/2003 Budich D12/605
D568,806 S * 5/2008 Dixon D12/605
D609,176 S * 2/2010 Fujita D12/605
D611,403 S * 3/2010 Kuwano D12/605
D668,602 S * 10/2012 Miyasaka D12/605
D681,547 S * 5/2013 Sato D12/605
D708,120 S * 7/2014 Iwabuchi D12/605
D735,123 S * 7/2015 Iwabuchi D12/605
D735,124 S * 7/2015 Iwabuchi D12/605
D738,818 S * 9/2015 Sato D12/605

1 Claim, 7 Drawing Sheets

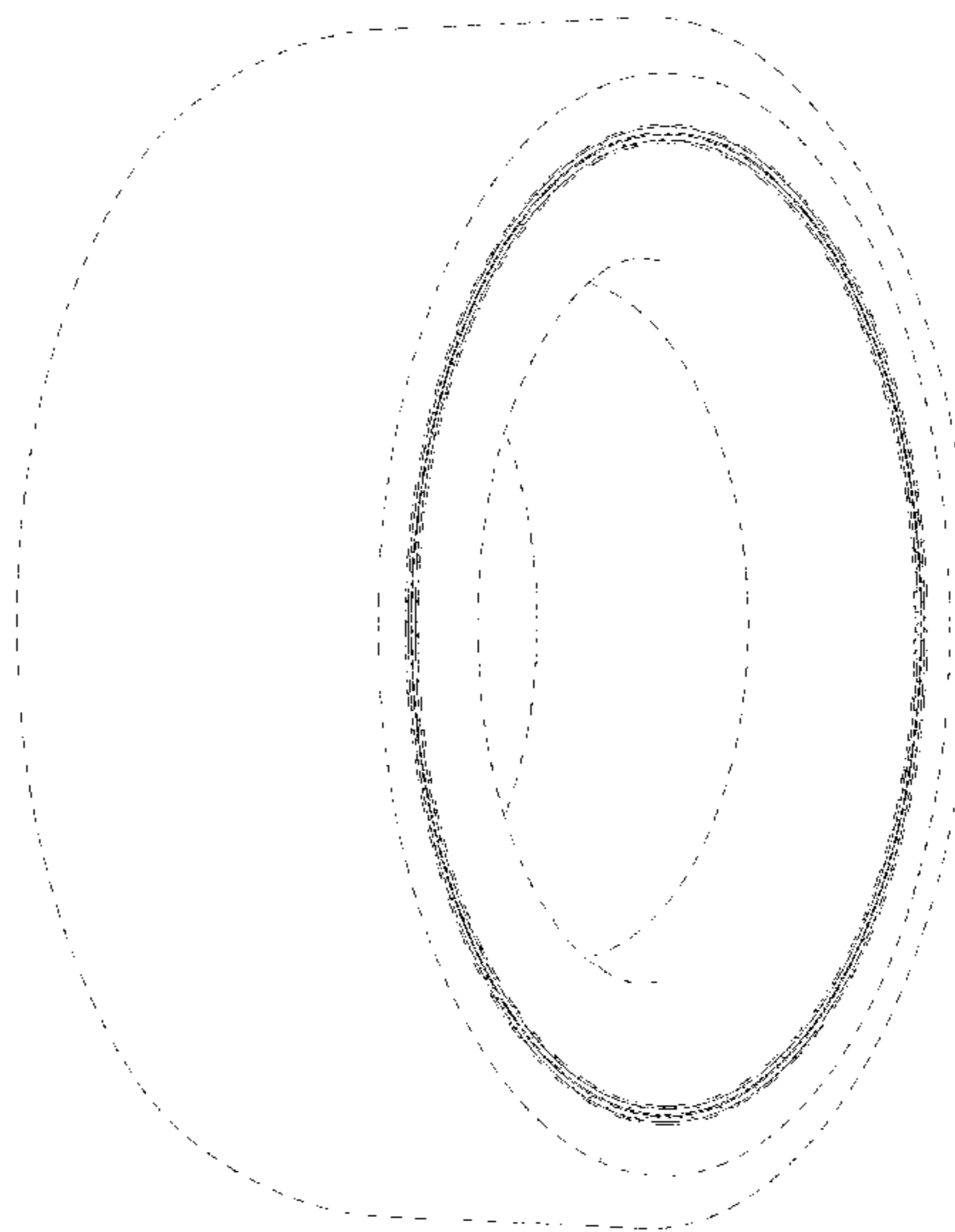


FIG. 1

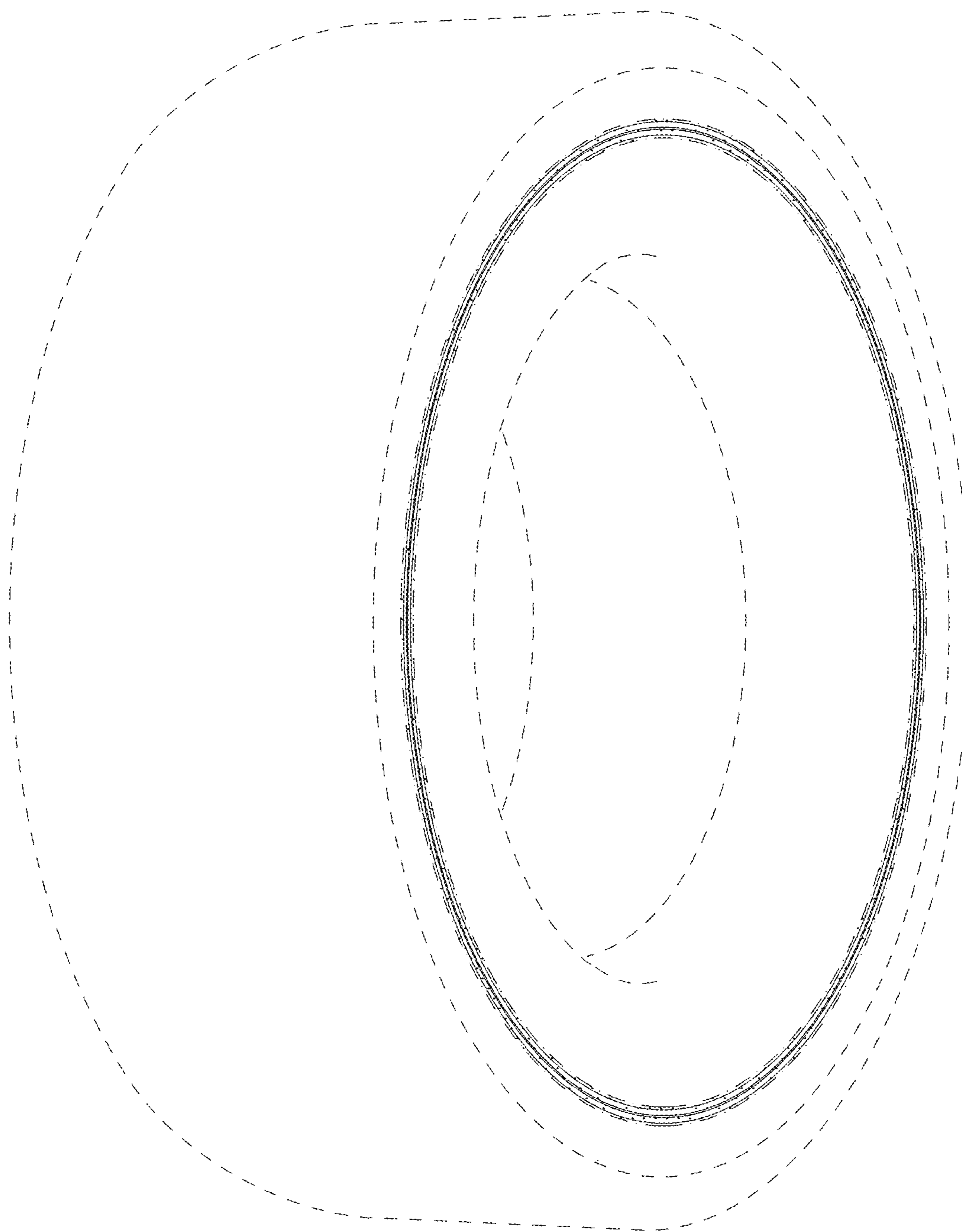


FIG. 2

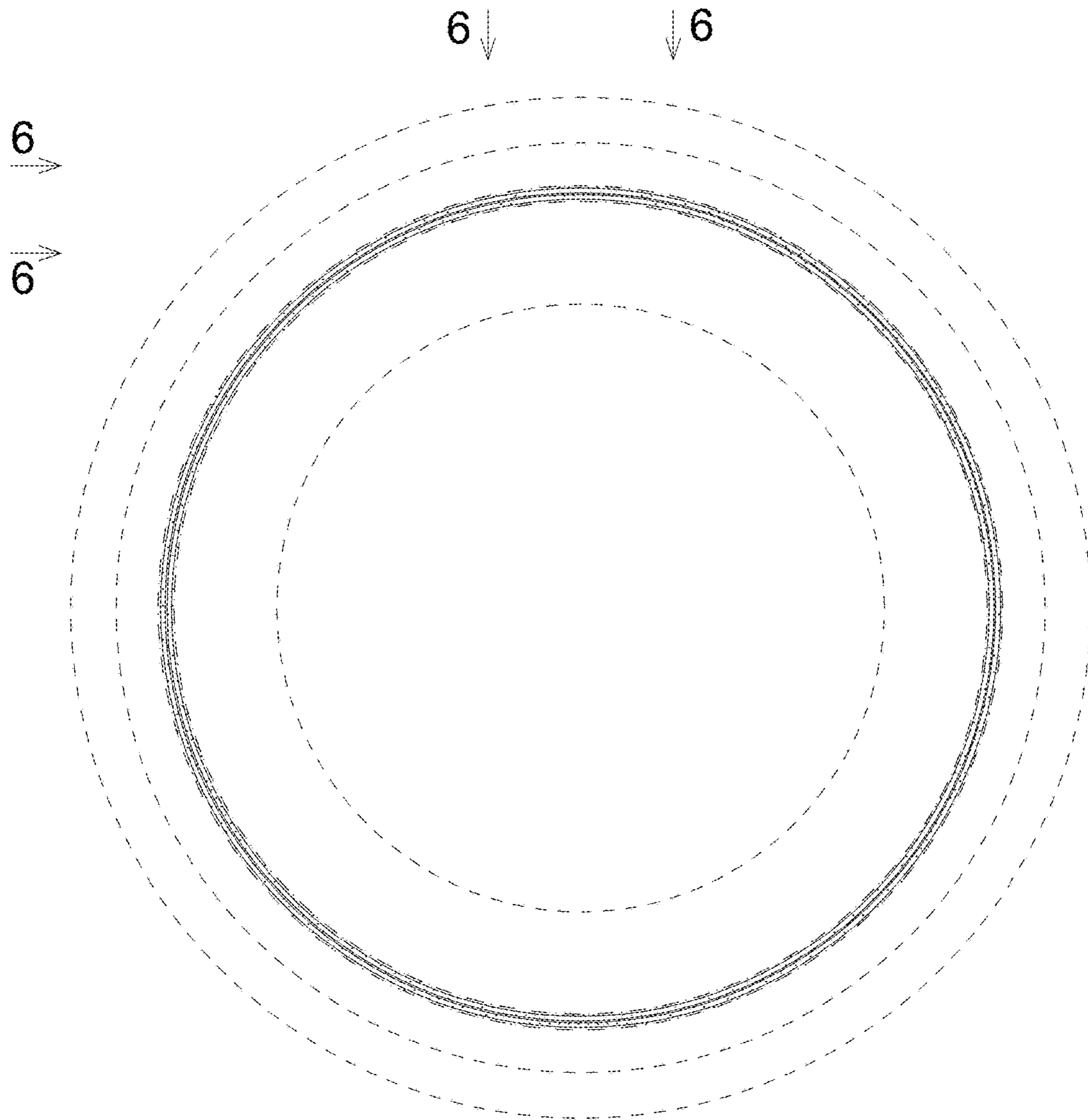


FIG. 3



FIG. 4

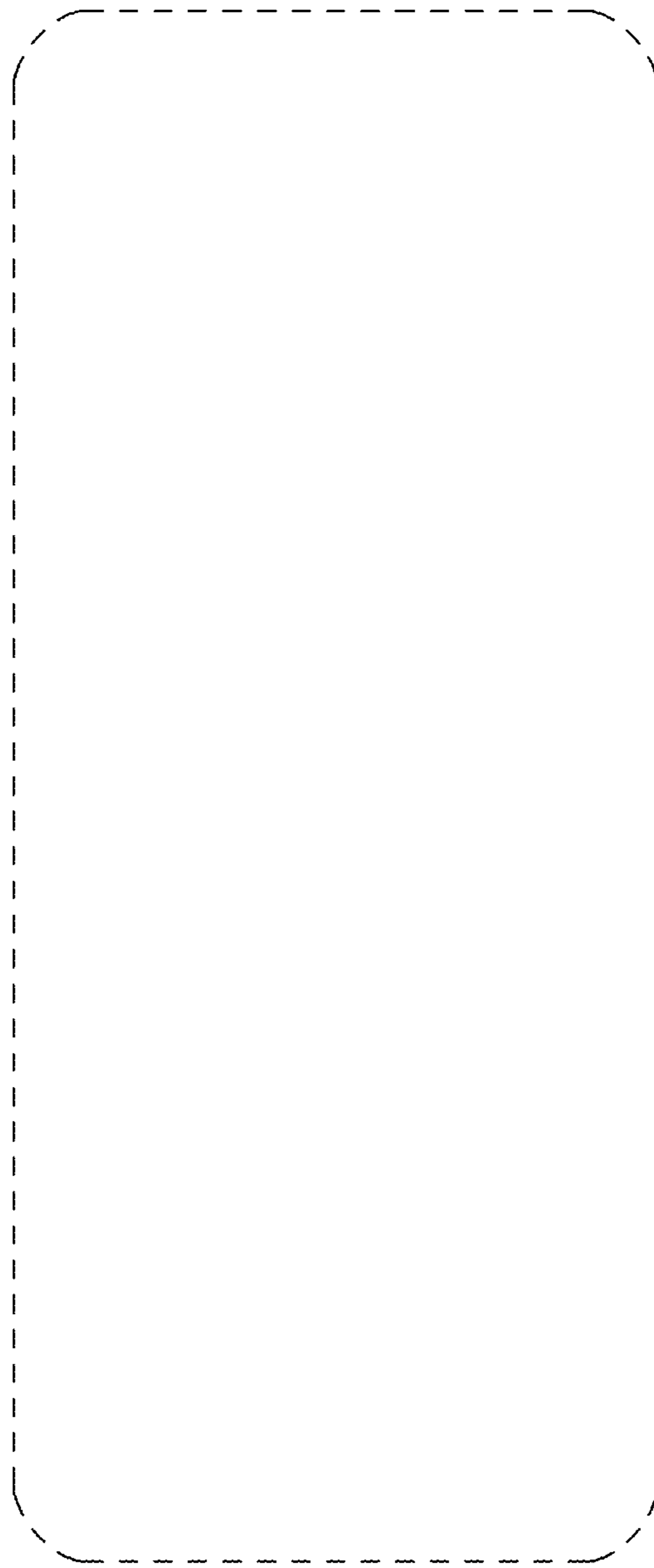


FIG. 5

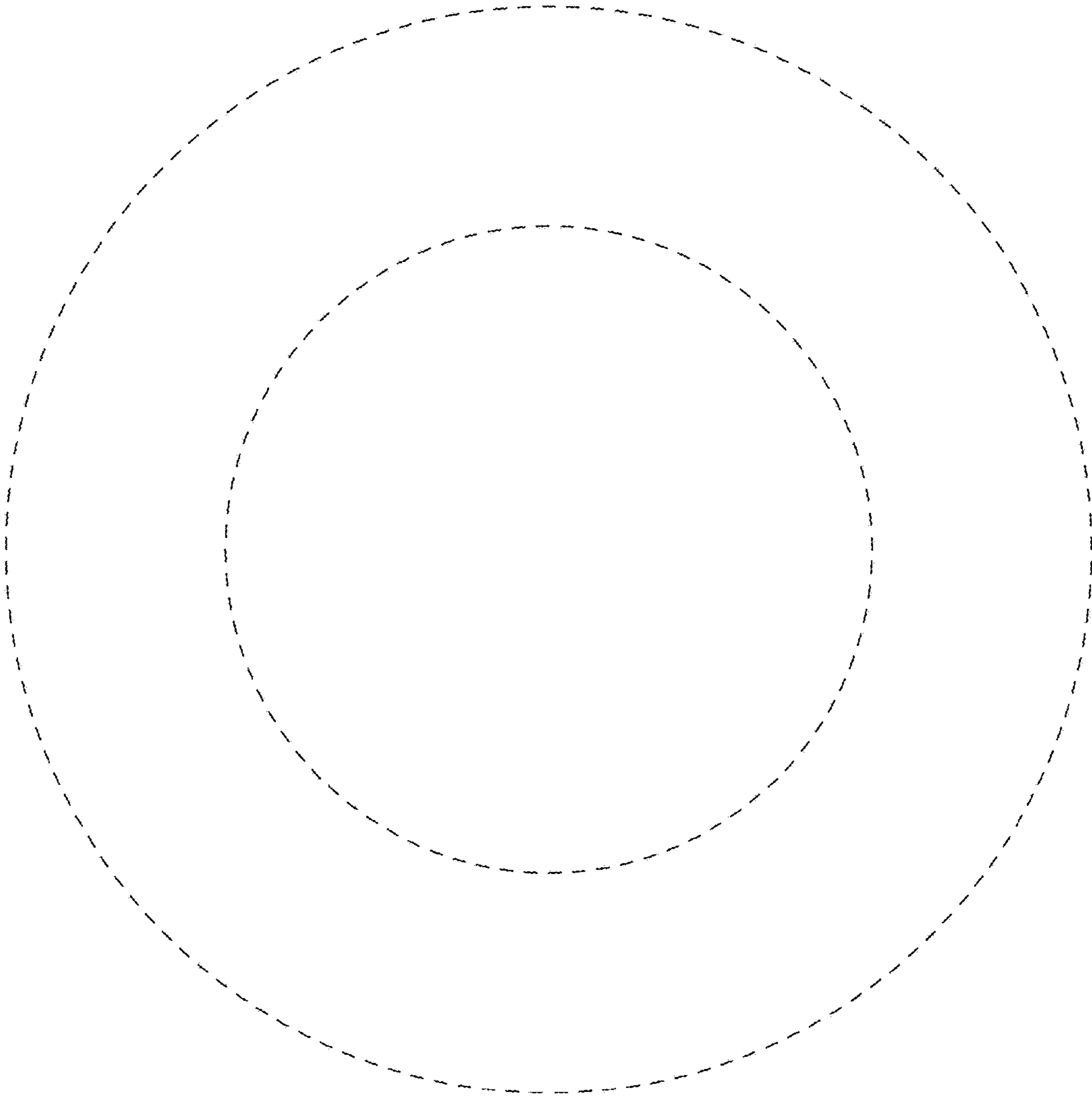


FIG. 6

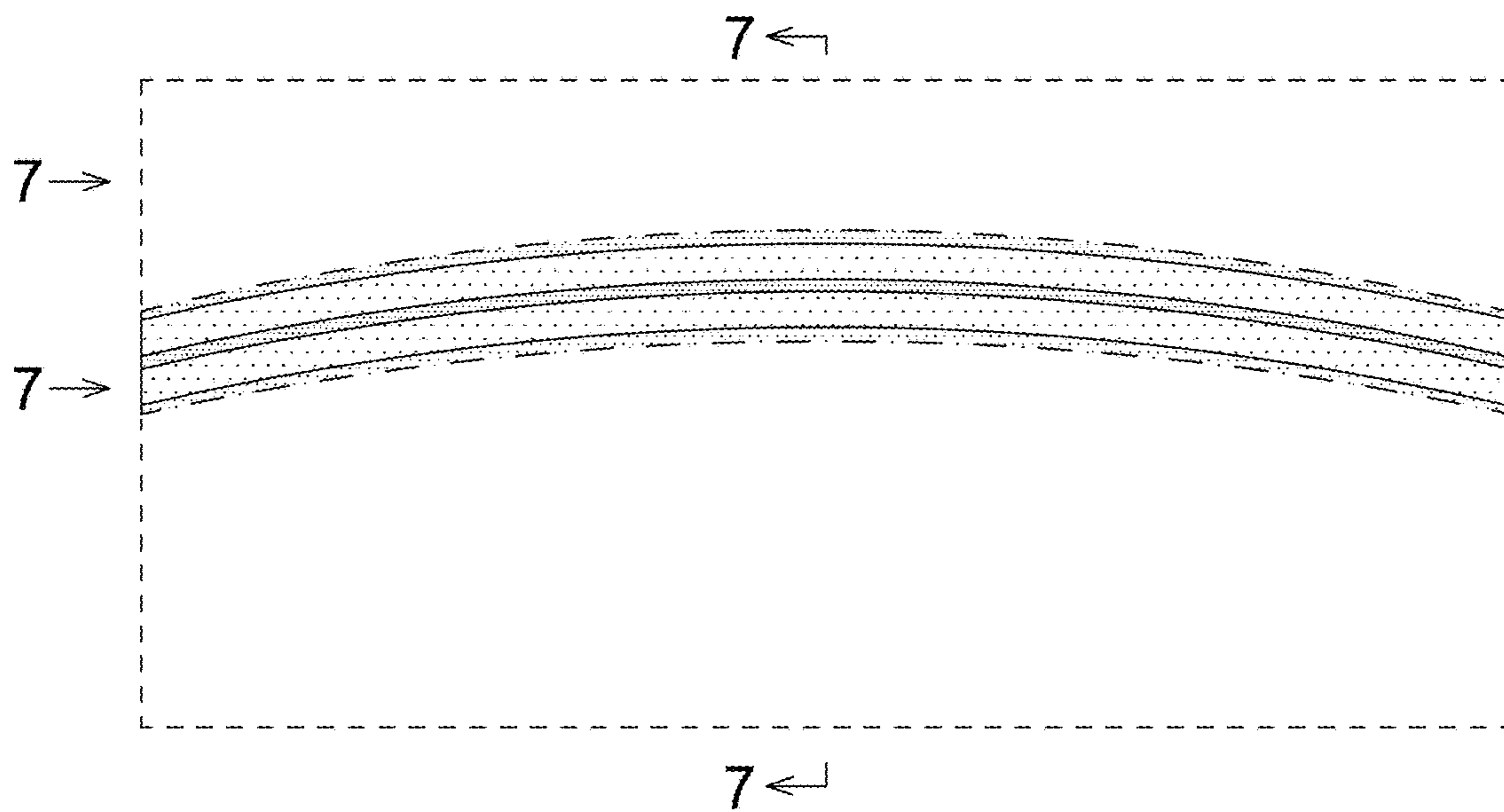


FIG. 7

