



US00D805998S

(12) **United States Design Patent** (10) **Patent No.:** **US D805,998 S**  
**De Carvalho et al.** (45) **Date of Patent:** **\*\* Dec. 26, 2017**

- (54) **AIRCRAFT FUSELAGE**
- (71) Applicant: **EMBRAER S.A.**, São José dos Campos/SP (BR)
- (72) Inventors: **Carlos Eduardo De Carvalho**, São José dos Campos (BR); **Alessandro Vassallo**, São José dos Campos (BR); **Amanda Oliveira Do Carmo**, São José dos Campos (BR); **André Gasparotti**, São José dos Campos (BR); **Bruno Kimura Castanha**, São José dos Campos (BR); **Carlos Augusto Fernandes Filho**, São José dos Campos (BR); **Carlos Marcelo Campos Teixeira**, São José dos Campos (BR); **Carlos Rosley Bernardes**, São José dos Campos (BR); **Demetrio Andrade De Campos**, São José dos Campos (BR); **Douglas De Albuquerque**, São José dos Campos (BR); **Emmanuel Basile Garakis**, São José dos Campos (BR); **Fernanda Loth Pugliesi**, São José dos Campos (BR); **Luz Maria Romero Tarazona**, São José dos Campos (BR); **Mateus Rodrigues Miranda**, São José dos Campos (BR); **Mauri Mendes De Oliveira**, São José dos Campos (BR); **Ricardo Athayde Abelheira**, São José dos Campos (BR); **Silvio Hideo Lemos Mochiduky**, São José dos Campos (BR); **Sergio Raphael Fonseca Affonso**, São José dos Campos (BR); **Walter Affonso Junior**, São José dos Campos (BR)
- (73) Assignee: **EMBRAER S.A.**, São José Dos Campos, SP (BR)
- (\*\*) Term: **15 Years**
- (21) Appl. No.: **29/536,662**

- (22) Filed: **Aug. 18, 2015**
- Related U.S. Application Data**
- (62) Division of application No. 29/451,908, filed on Apr. 10, 2013, now Pat. No. Des. 752,501.
- (51) **LOC (10) Cl.** ..... **12-07**
- (52) **U.S. Cl.**  
USPC ..... **D12/345**
- (58) **Field of Classification Search**  
USPC ..... D12/16.1, 319, 323-345; D21/436, 438, D21/439, 440, 441, 447, 448, 449, 450, D21/452, 453, 454, 455 B64C 1/062; B64C 39/024; B64C 27/08; B64C 1/068  
See application file for complete search history.

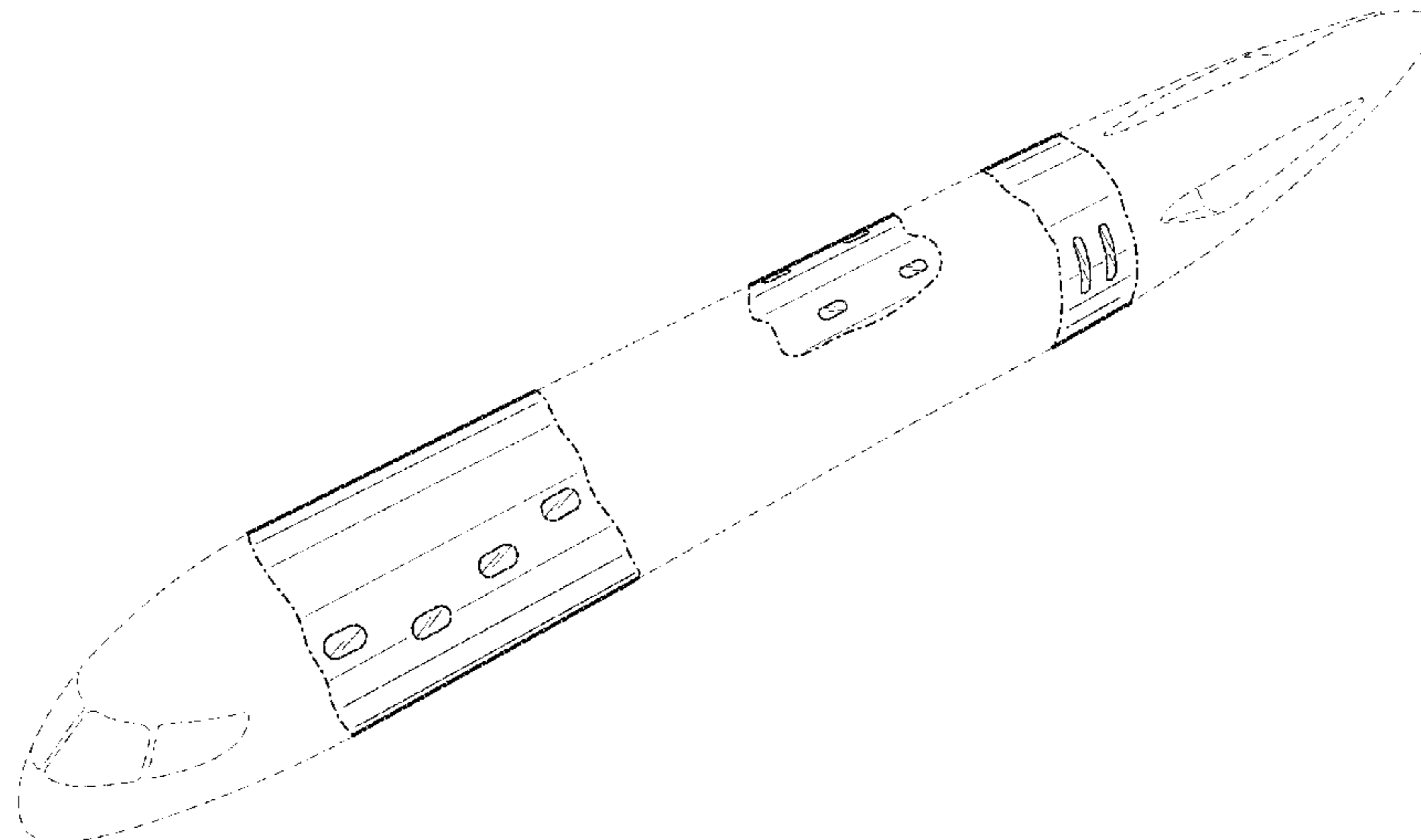
- (56) **References Cited**  
U.S. PATENT DOCUMENTS  
2,293,656 A 8/1942 McClain  
2,784,926 A 3/1957 Bonza et al.  
(Continued)  
*Primary Examiner* — Robert M Spear  
*Assistant Examiner* — Marissa J Cash  
(74) *Attorney, Agent, or Firm* — Nixon & Vanderhye P.C.

(57) **CLAIM**  
The ornamental design for an “aircraft fuselage,” as shown and described.

**DESCRIPTION**

FIG. 1 is a left-front perspective view of an embodiment of an aircraft fuselage showing our new design thereof; FIG. 2 is a right-front perspective view thereof; FIG. 3 is a top plan view thereof; FIG. 4 is a left side elevational view thereof; and, FIG. 5 is a right side elevational view thereof. The broken lines in FIGS. 1-5 represent structures in the environment of the claimed design which do not form any part of the claimed design. The dot-dash-dot lines in FIGS. 1-5 represent boundaries of the claimed design which do not form a part of the claimed design.

**1 Claim, 4 Drawing Sheets**



(56)

**References Cited**

## U.S. PATENT DOCUMENTS

3,429,530	A	2/1969	Hertel	
D273,673	S *	5/1984	Olason .....	D12/338
4,669,410	A	6/1987	Howell	
5,031,862	A	7/1991	Rhodes	
D326,842	S	6/1992	Buchsel et al.	
D354,474	S *	1/1995	Murphy .....	D12/319
D415,993	S *	11/1999	Birrenbach .....	D12/319
D417,639	S *	12/1999	Carichner .....	D12/16.1
6,736,352	B2	5/2004	Bladt et al.	
D494,531	S *	8/2004	Fraser .....	D12/319
D499,688	S *	12/2004	Atkinson .....	D12/319
D500,281	S *	12/2004	Aruga .....	D12/319
D515,013	S *	2/2006	Eatkins .....	D12/319
7,118,069	B2	10/2006	Novak et al.	
D531,954	S *	11/2006	Eakins .....	D12/319
D537,029	S *	2/2007	Eakins .....	D12/319
7,281,686	B2	10/2007	Wood	
D576,938	S *	9/2008	Moon .....	D12/343
7,438,263	B2	10/2008	Rassaian et al.	
D598,361	S *	8/2009	Beaunis .....	D12/343
D612,792	S *	3/2010	Guering .....	D12/343
D617,724	S *	6/2010	Saint-Jalmes .....	D12/343
D625,679	S	10/2010	Stinemetze et al.	
7,823,832	B2	11/2010	Wood et al.	
D640,962	S *	7/2011	Guering .....	D12/345
D752,501	S *	3/2016	De Carvalho .....	D12/319
D760,637	S *	7/2016	Cummings .....	D12/343
D765,010	S *	8/2016	De Camargo .....	D12/342

\* cited by examiner

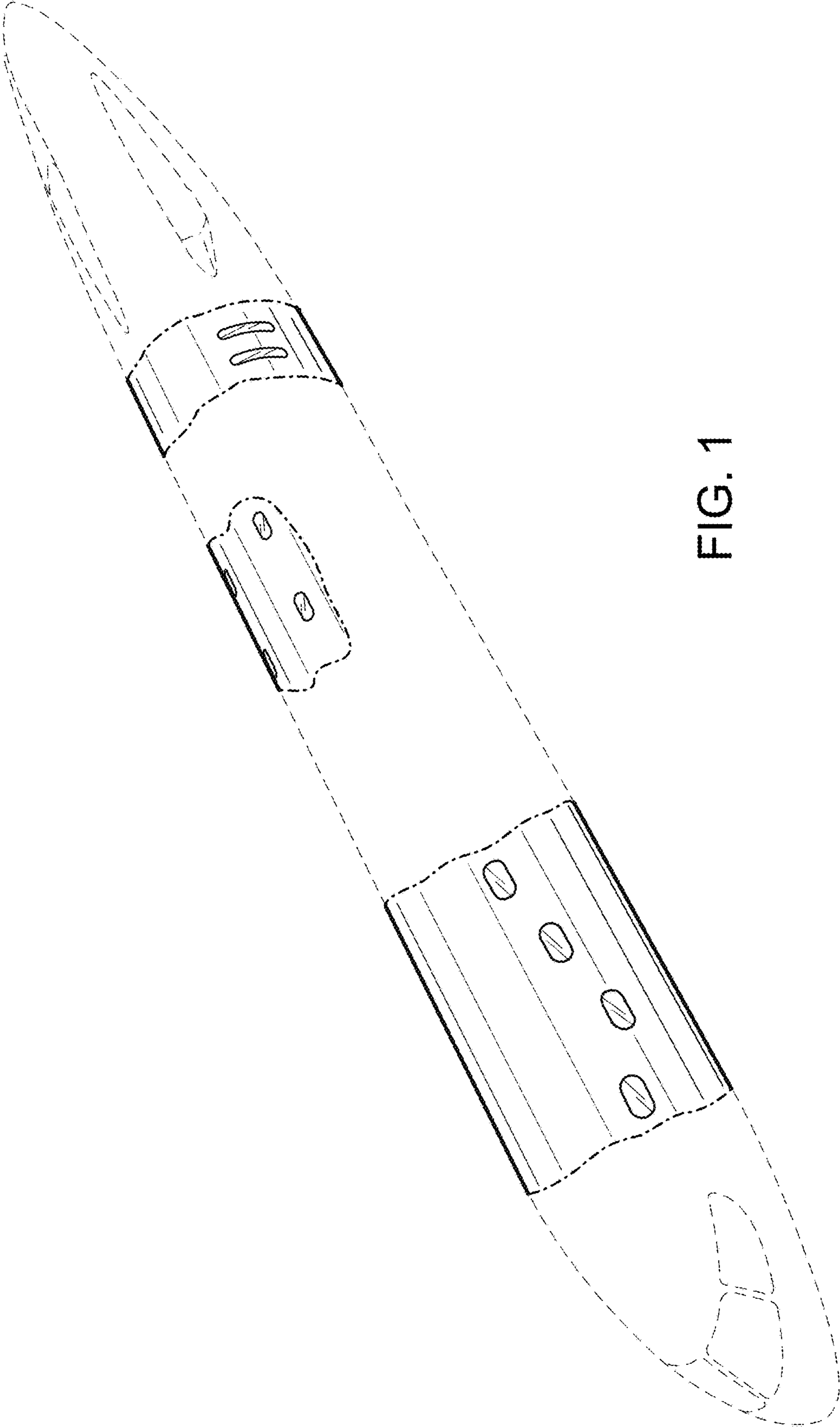


FIG. 1

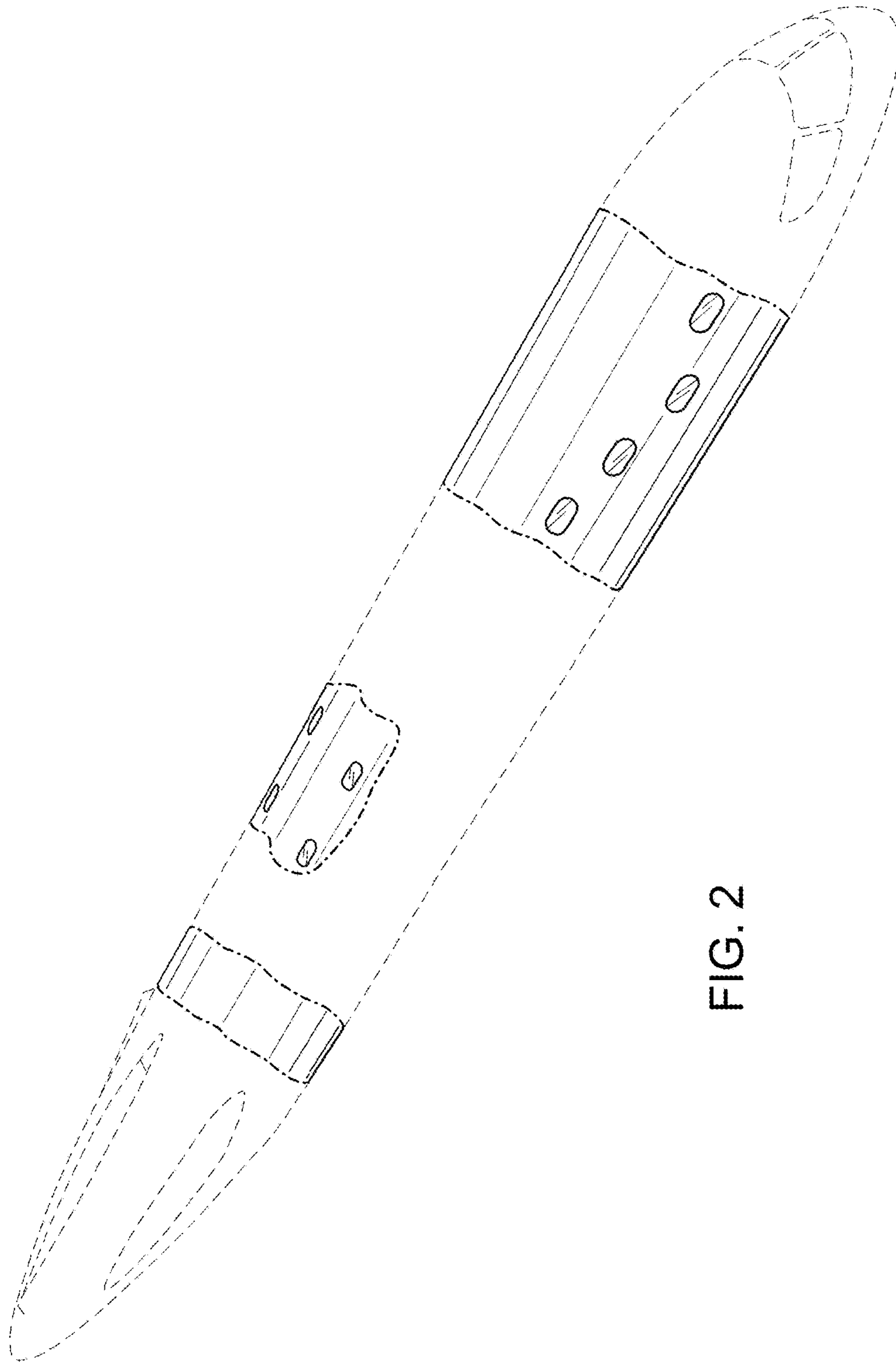


FIG. 2

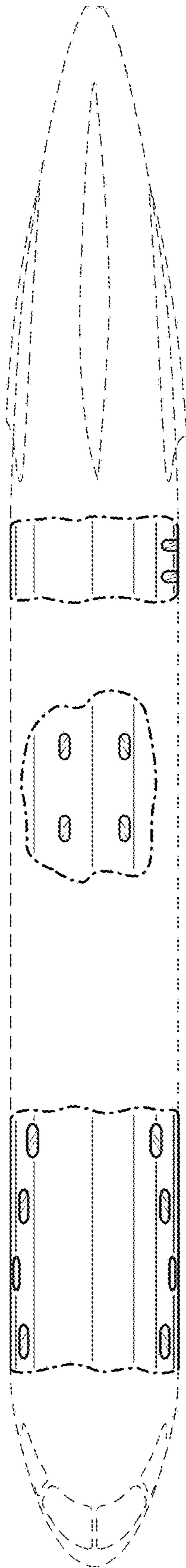


FIG. 3

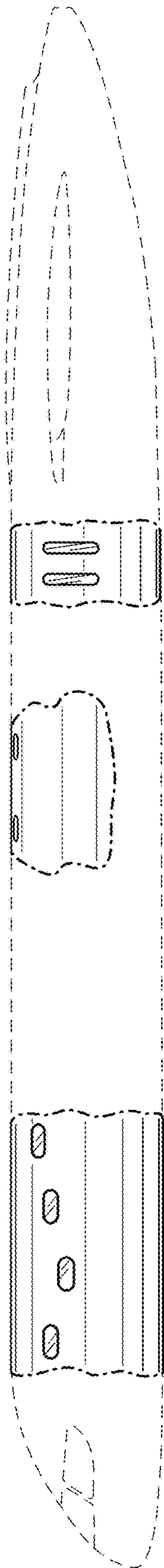


FIG. 4

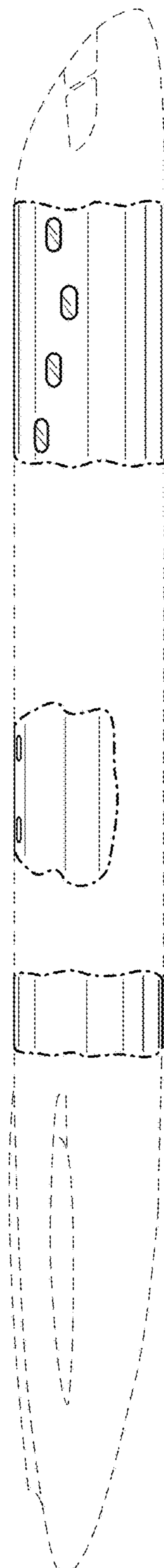


FIG. 5