



US00D805994S

(12) **United States Design Patent**
Platto et al.

(10) **Patent No.:** **US D805,994 S**

(45) **Date of Patent:** **** Dec. 26, 2017**

(54) **VEHICLE WHEEL**

(71) Applicant: **Ford Global Technologies, LLC,**
Dearborn, MI (US)

(72) Inventors: **Gordon M. Platto,** Troy, MI (US);
Sean W. Tant, Livonia, MI (US);
William K. Moore, West Bloomfield,
MI (US)

(73) Assignee: **Ford Global Technologies, LLC,**
Dearborn, MI (US)

(**) Term: **15 Years**

(21) Appl. No.: **29/588,169**

(22) Filed: **Dec. 19, 2016**

(51) **LOC (10) Cl.** **12-16**

(52) **U.S. Cl.**
USPC **D12/211**

(58) **Field of Classification Search**
USPC D12/204–213
CPC B60B 7/00; B60B 7/02; B60B 7/04; B60B
7/01; B60B 7/06; B60B 3/02; B60B 3/04;
B60B 3/06; B60B 3/10; B60B 1/00;
B60B 1/08; B60B 1/10; B60B 1/12
See application file for complete search history.

(56) **References Cited**

U.S. PATENT DOCUMENTS

D453,492 S * 2/2002 Laengerer D12/209
D466,466 S * 12/2002 Laengerer D12/211

D498,195 S * 11/2004 Guevara D12/211
D506,173 S * 6/2005 Pfeiffer D12/211
D518,766 S * 4/2006 Burns D12/211
D524,214 S * 7/2006 Pfeiffer D12/211
D524,219 S * 7/2006 Scheu D12/211
D579,848 S * 11/2008 Kim D12/211
D612,789 S 3/2010 Tant
D613,660 S 4/2010 Tant
D614,109 S 4/2010 Tant
D614,110 S 4/2010 Tant
D614,112 S 4/2010 Tant
D620,421 S * 7/2010 Lamm D12/209
D668,199 S 10/2012 Tant
D684,518 S * 6/2013 Zhao D12/211
D689,000 S * 9/2013 Platto D12/209
D706,695 S 6/2014 Platto
D706,699 S 6/2014 Platto
D706,700 S 6/2014 Platto
D715,208 S * 10/2014 Grake D12/204
D715,719 S 10/2014 Platto
D736,134 S * 8/2015 Platto D12/211
D782,950 S * 4/2017 Hatton D12/209

* cited by examiner

Primary Examiner — Stacia Cadmus

(74) *Attorney, Agent, or Firm* — James Dottavio

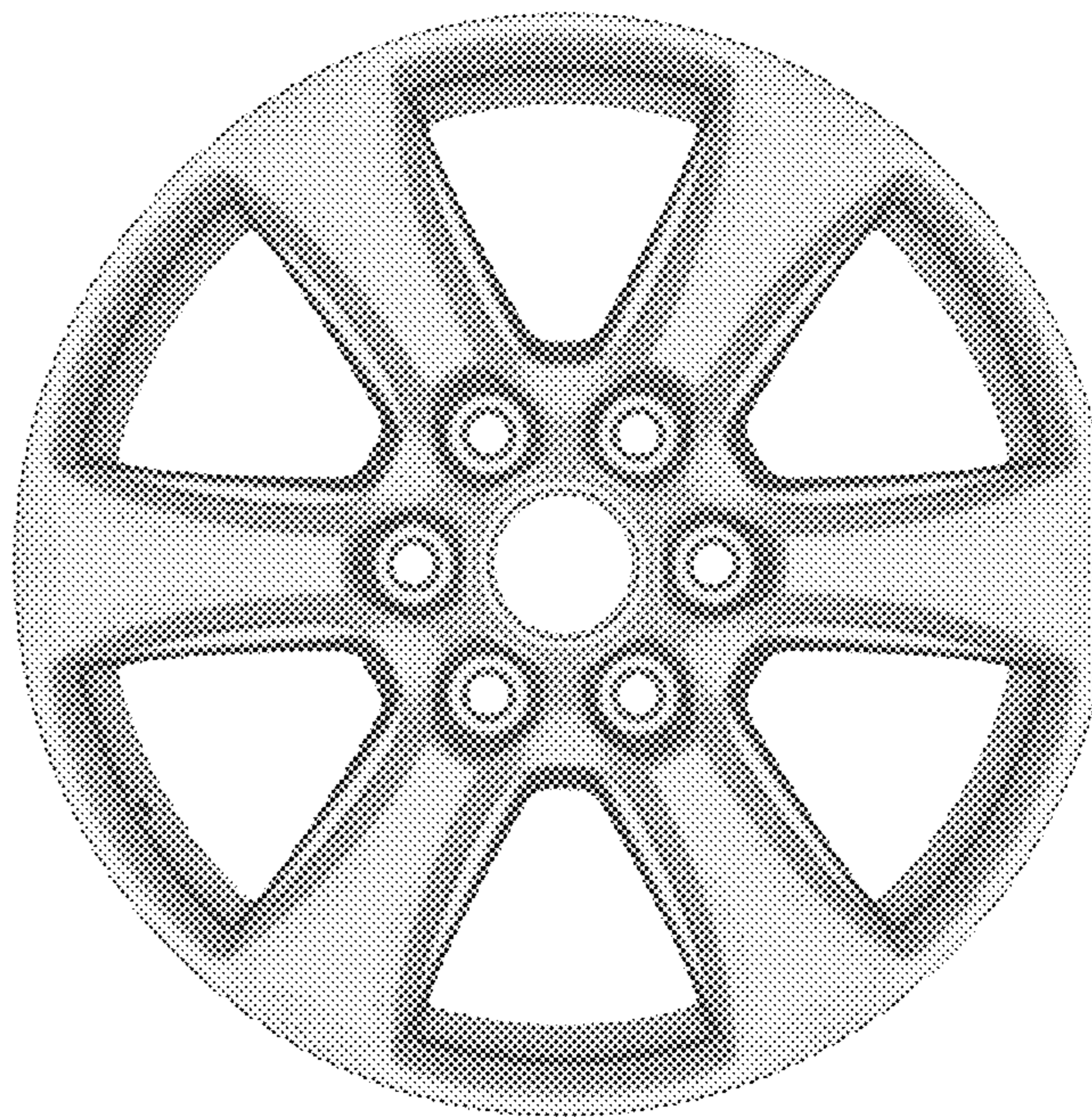
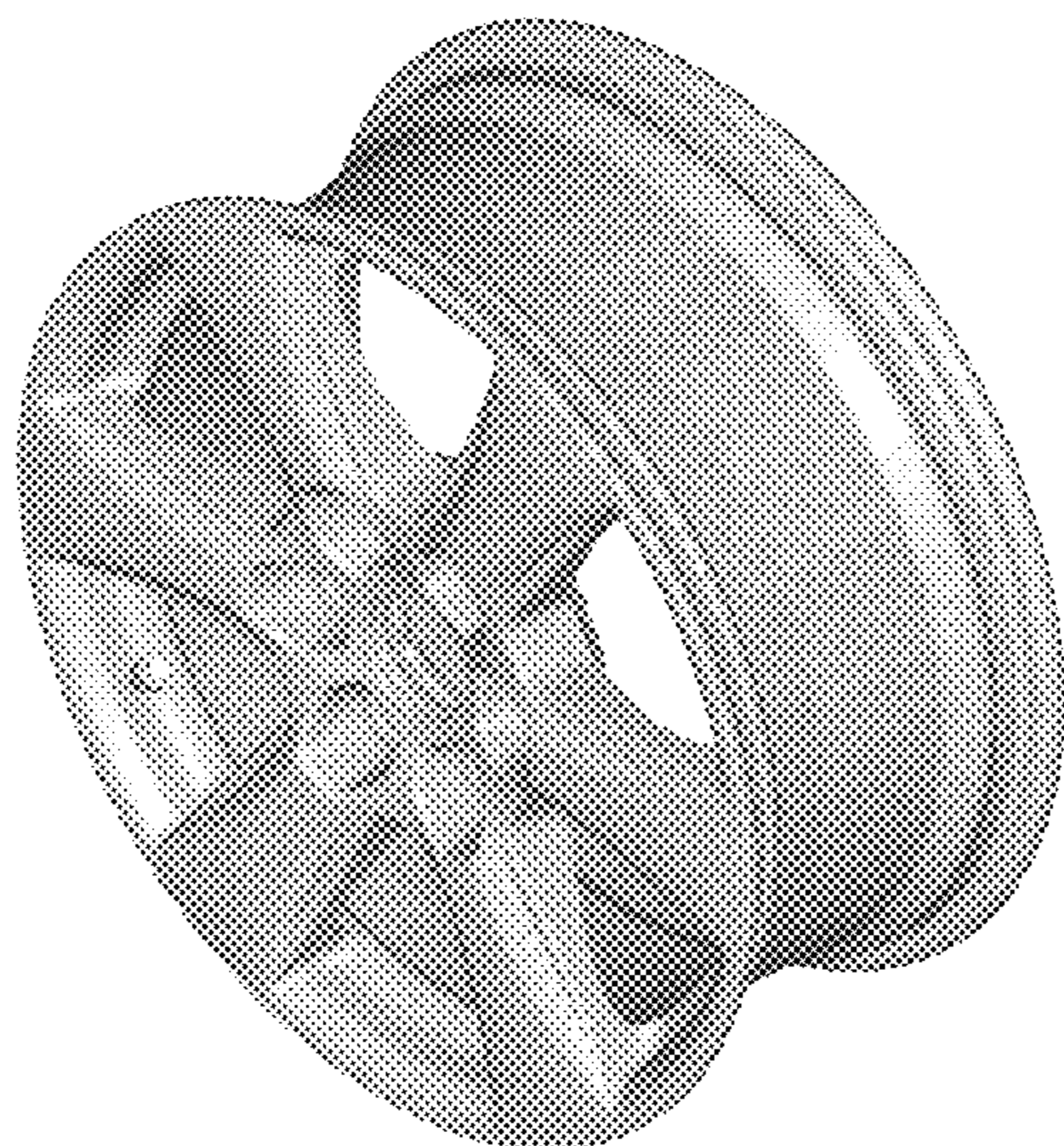
(57) **CLAIM**

The ornamental design for a vehicle wheel, as shown.

DESCRIPTION

FIG. 1 is a top perspective view of a vehicle wheel showing our new design; and, FIG. 2 is a front elevational view thereof.

1 Claim, 2 Drawing Sheets



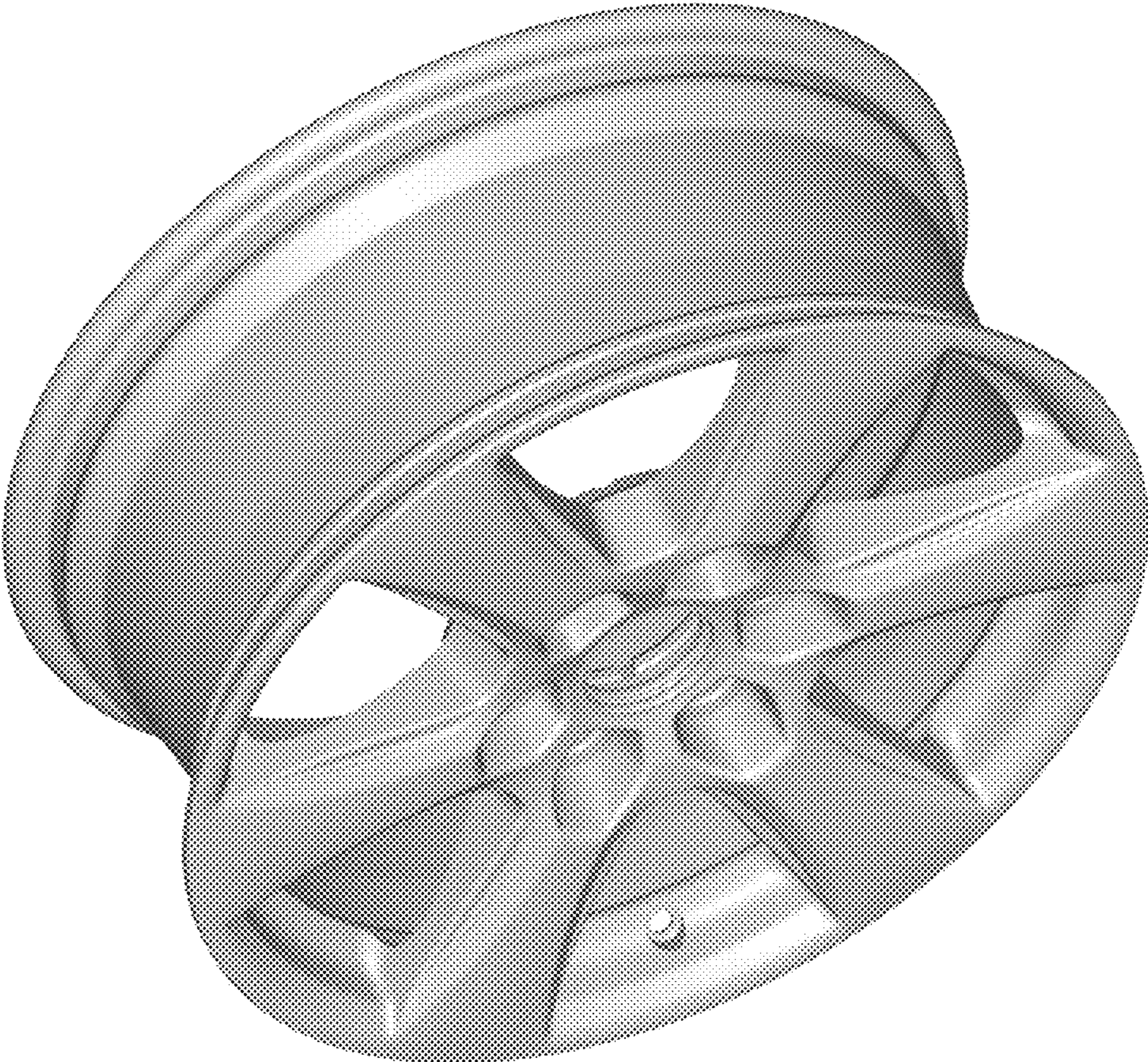


Fig. 1

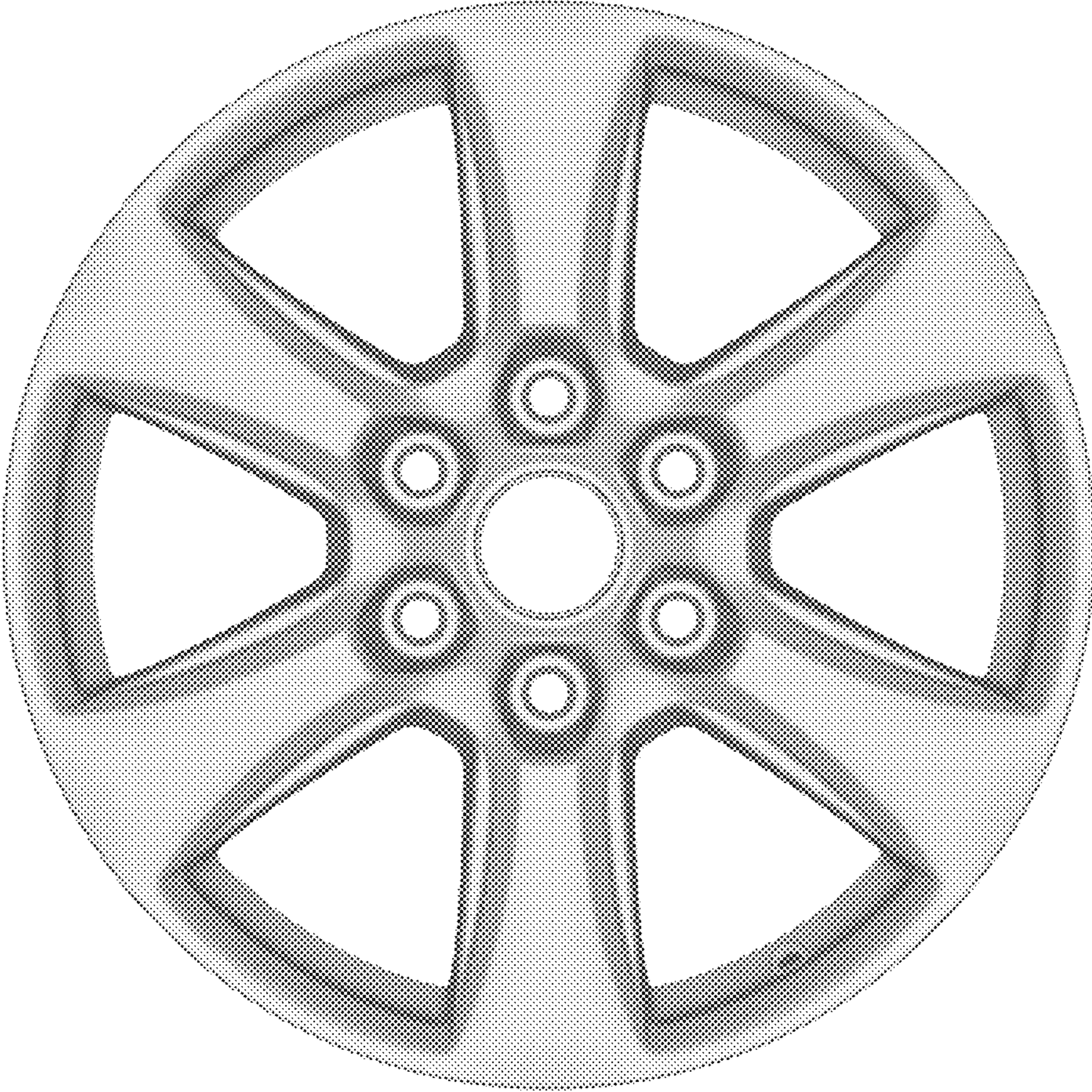


Fig. 2