



US00D805992S

(12) **United States Design Patent**
Heizmann

(10) **Patent No.:** **US D805,992 S**

(45) **Date of Patent:** **** Dec. 26, 2017**

(54) **WHEEL RIM**

(71) Applicant: **BBS GMBH**, Schiltach (DE)

(72) Inventor: **Karl Heizmann**, Oberwolfach (DE)

(73) Assignee: **BBS GMBH**, Schiltach (DE)

(**) Term: **14 Years**

(21) Appl. No.: **29/510,141**

(22) Filed: **Nov. 25, 2014**

(30) **Foreign Application Priority Data**

Oct. 8, 2014 (EP) DM/084 600

(51) **LOC (10) Cl.** **12-16**

(52) **U.S. Cl.**
USPC **D12/211**

(58) **Field of Classification Search**
USPC D12/204–213
CPC B60B 7/00; B60B 7/02; B60B 7/04; B60B 7/01; B60B 7/06; B60B 3/02; B60B 3/04; B60B 3/06; B60B 3/10; B60B 1/00; B60B 1/08; B60B 1/10; B60B 1/12
See application file for complete search history.

(56) **References Cited**

U.S. PATENT DOCUMENTS

D284,000 S	5/1986	Braungart
D329,416 S	9/1992	Braungart et al.
D333,648 S	3/1993	Schwenk
D344,924 S	3/1994	Braungart et al.
D353,571 S	12/1994	Braungart et al.
D395,270 S	6/1998	Baumgartner et al.
D396,208 S	7/1998	Baumgartner et al.
D398,898 S	9/1998	Baumgartner et al.
D405,409 S	2/1999	Baumgartner
D406,092 S	2/1999	Baumgartner
D417,646 S	12/1999	Baumgartner
D423,445 S	4/2000	Baumgartner

D427,558 S *	7/2000	Neeper	D12/211
D457,478 S *	5/2002	Minamisawa	D12/211
D471,503 S	3/2003	Baumgartner		
D475,674 S	6/2003	Baumgartner		
D476,283 S	6/2003	Baumgartner		
D478,307 S *	8/2003	Maifrini	D12/211

(Continued)

FOREIGN PATENT DOCUMENTS

EM	002024893-0009	12/2012
JP	2008-7993	3/2008

(Continued)

OTHER PUBLICATIONS

U.S. Appl. No. 29/488,168, filed Apr. 16, 2014, Heizmann.

(Continued)

Primary Examiner — Stacia Cadmus

(74) *Attorney, Agent, or Firm* — Andrew F. Young, Esq.;
Lackebach Siegel, LLP

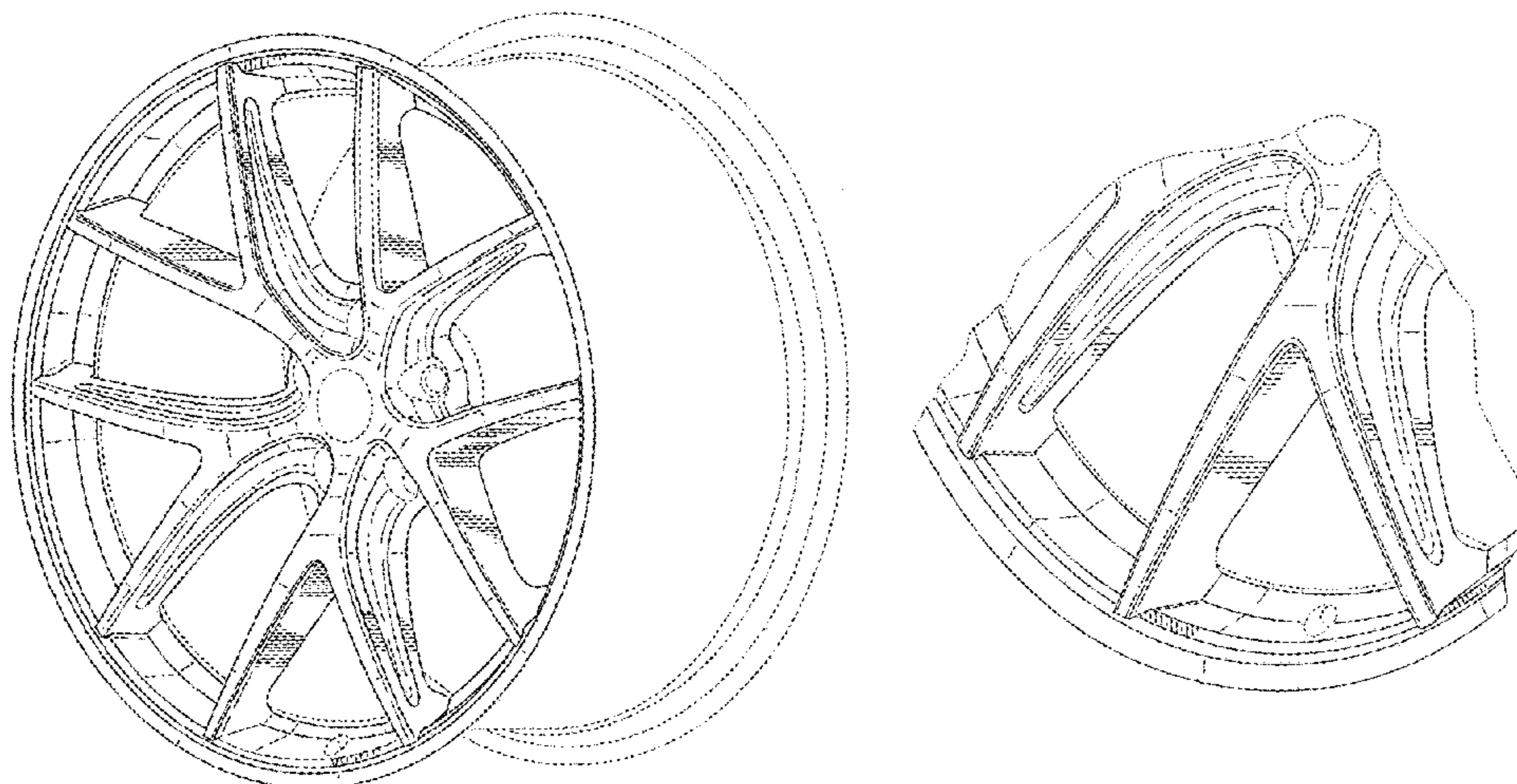
(57) **CLAIM**

The ornamental design for a wheel rim, as shown and described.

DESCRIPTION

FIG. 1 is a right perspective view of the invention.
FIG. 2 is a front elevation view of FIG. 1.
FIG. 3 is a left perspective view of FIG. 1.
FIG. 4 is a left side elevation view of FIG. 1, the right side elevation view, top plan view, and bottom plan view being mirror images thereof.
FIG. 5 is a partial perspective view of FIG. 1; and,
FIG. 6 is a further perspective view of FIG. 1.
The broken line showing of valve-stem hole, lug region, and side, rear, and inner surfaces is included for the purpose of illustrating environmental aspects of the design, and forms no part of the claimed design.

1 Claim, 6 Drawing Sheets



US D805,992 S

Page 2

(56)

References Cited

U.S. PATENT DOCUMENTS

D515,996 S 2/2006 Baumgartner
D532,355 S 11/2006 Baumgartner
D533,825 S * 12/2006 Baumgartner D12/211
D541,202 S 4/2007 Baumgartner
D573,932 S 7/2008 Laengerer
D592,119 S 5/2009 Heizmann
D596,763 S 7/2009 Chappell
D606,921 S 12/2009 Thorsten
D606,922 S 12/2009 Thorsten
D620,862 S 8/2010 Pollmann
D624,861 S 10/2010 Zhao
D626,052 S 10/2010 Majdanzic
D645,390 S 9/2011 De Bono
D649,102 S 11/2011 Gallert
D649,103 S 11/2011 Gallert
D673,099 S * 12/2012 Ender D12/211
D675,143 S 1/2013 Gebert
D715,720 S * 10/2014 Ender D12/211
D734,704 S * 7/2015 Juergens D12/211
D747,254 S * 1/2016 Liu D12/211
D748,030 S * 1/2016 Heizmann D12/209

D764,367 S * 8/2016 Gallert D12/209
D780,657 S * 3/2017 Welte D12/211
D780,658 S * 3/2017 Welte D12/211
D786,164 S * 5/2017 Henderson D12/211

FOREIGN PATENT DOCUMENTS

JP 1346435 12/2008
JP 1392994 7/2010

OTHER PUBLICATIONS

U.S. Appl. No. 29/466,356, filed Sep. 6, 2013, Heizmann.
U.S. Appl. No. 29/483,529, filed Feb. 28, 2014, Heizmann.
German Patent Appln. Serial No. 2014501381, Office Action issued Jun. 4, 2014, 2 pages—English, 4 pages—German; 2 pages—Russian.
Japanese Patent Appln. Serial No. 2013-020021, Office Action dated Jan. 14, 2014, 2 pages—English; 2 pages—Japanese.
Japanese Patent Appln. Serial No. 2013-020021, Office Action dated Jan. 8, 2014, 2—pages—English; 2 pages—Japanese.

* cited by examiner

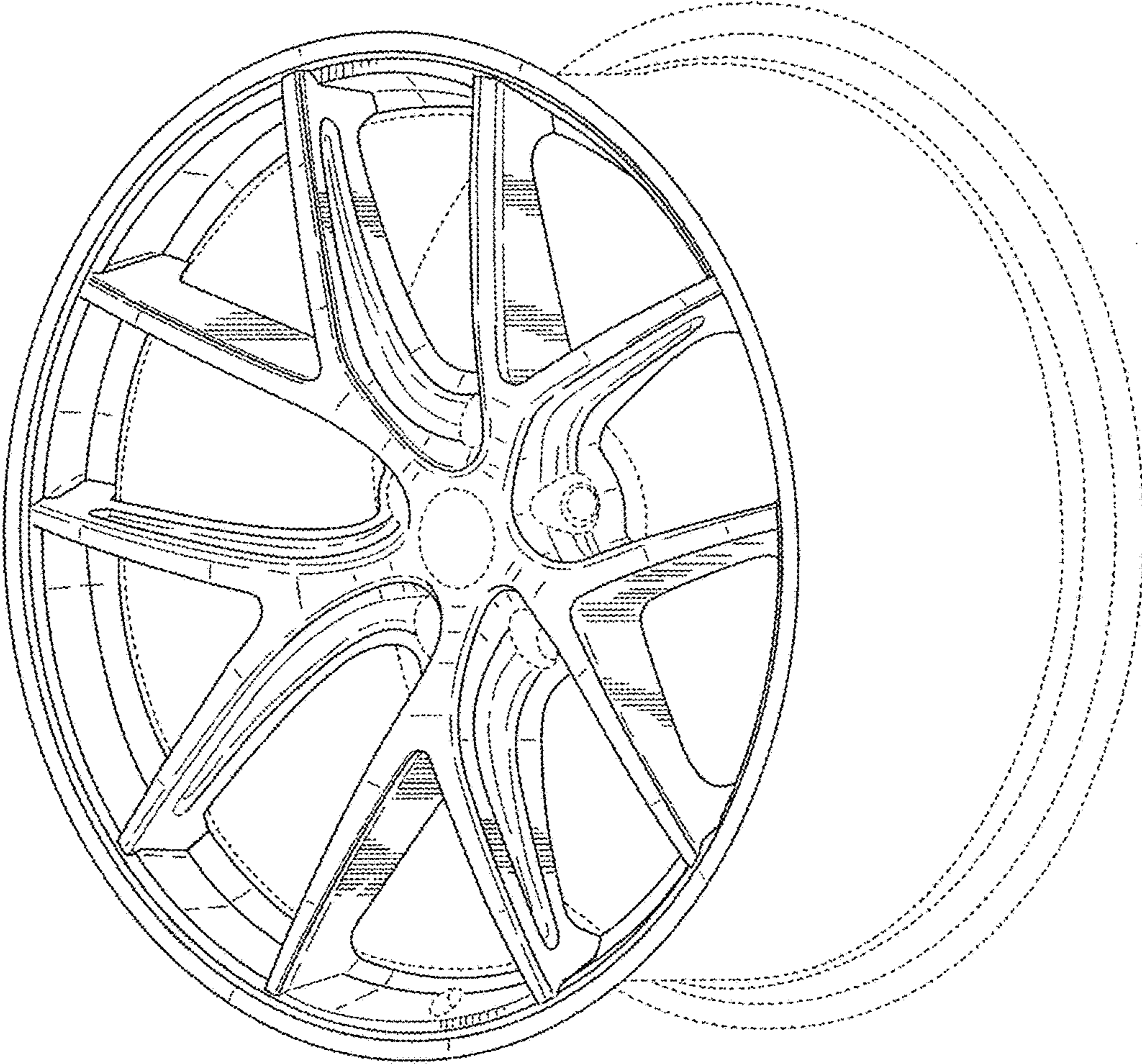


FIG. 1

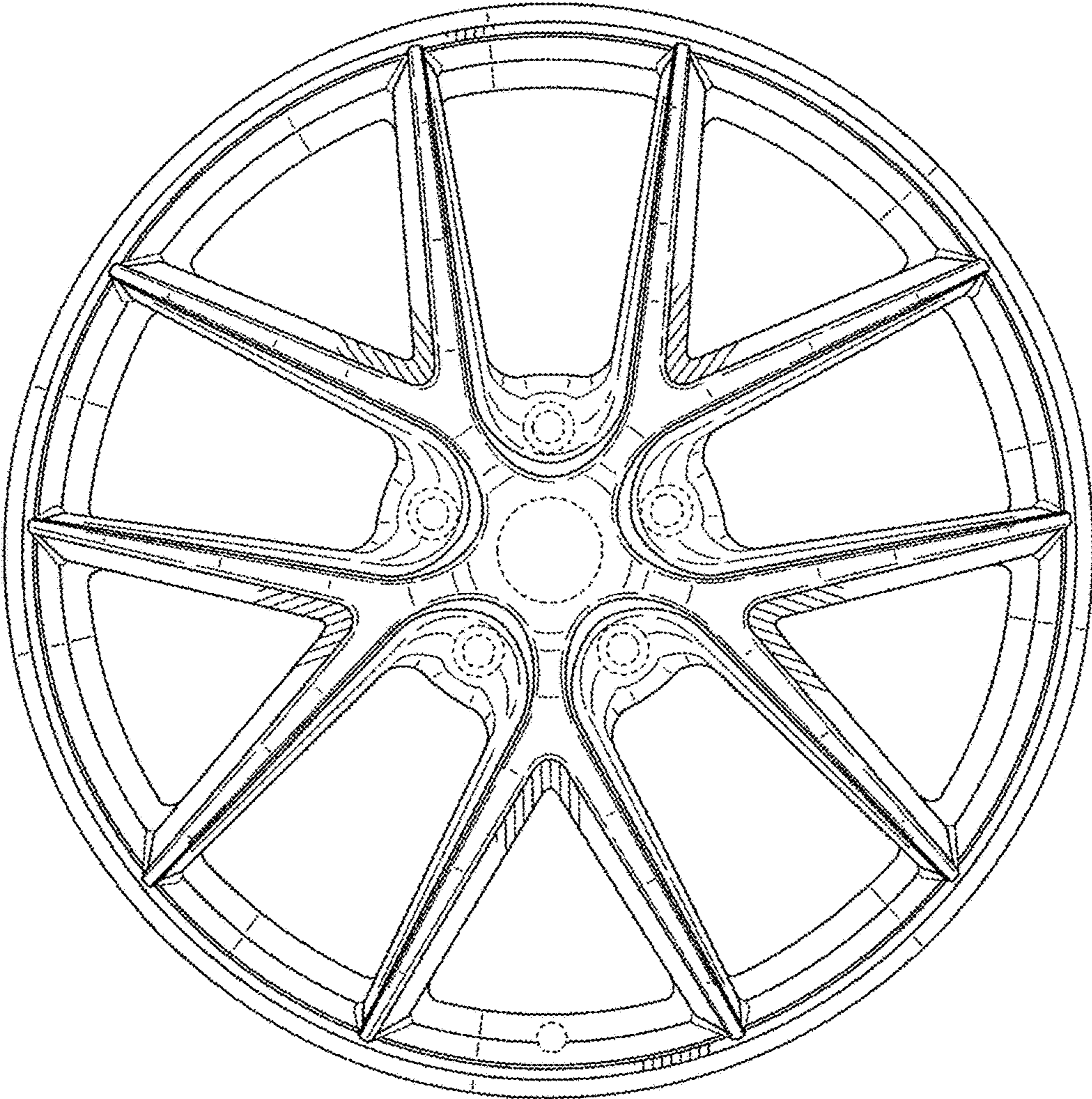


FIG. 2

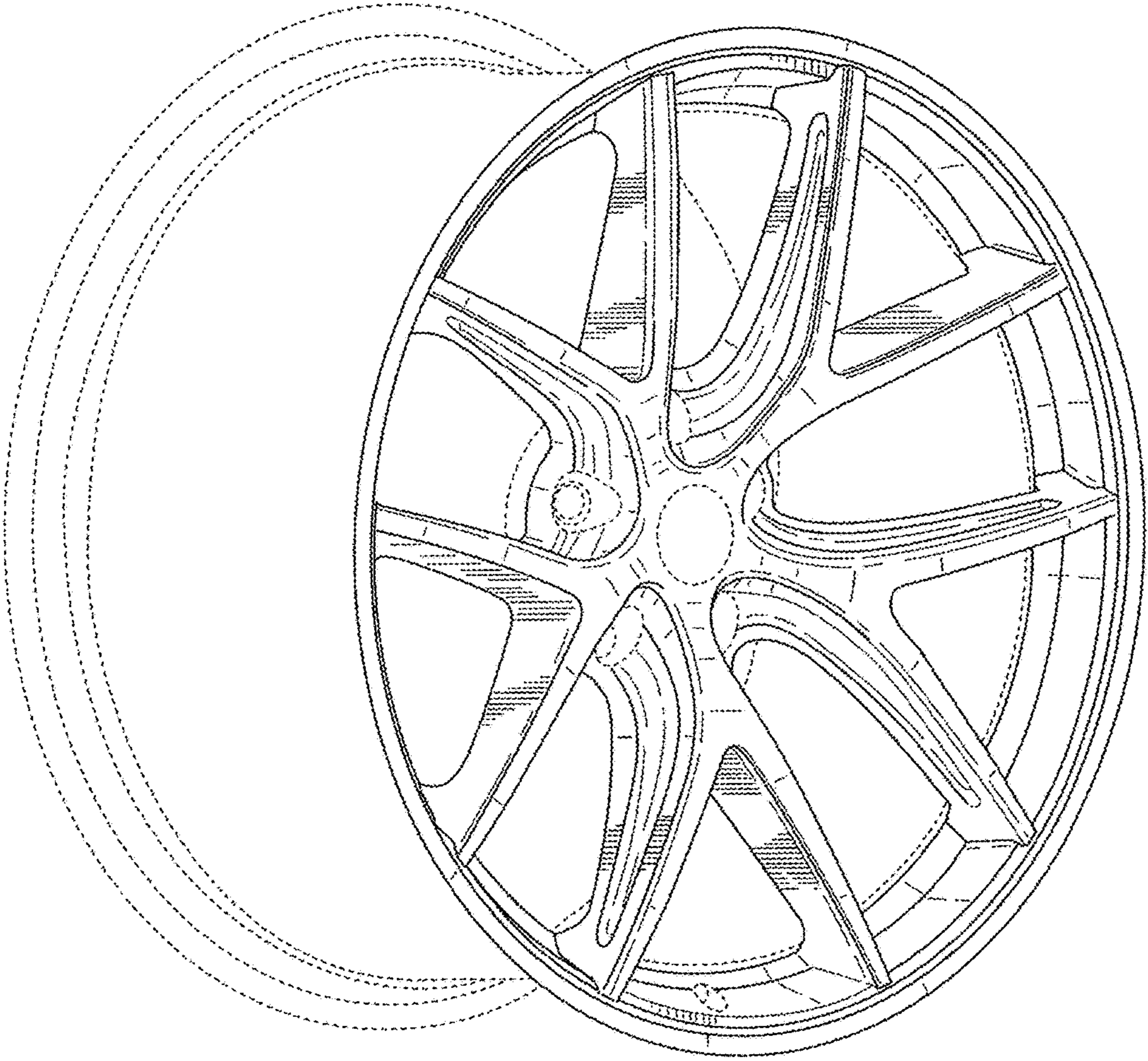


FIG. 3

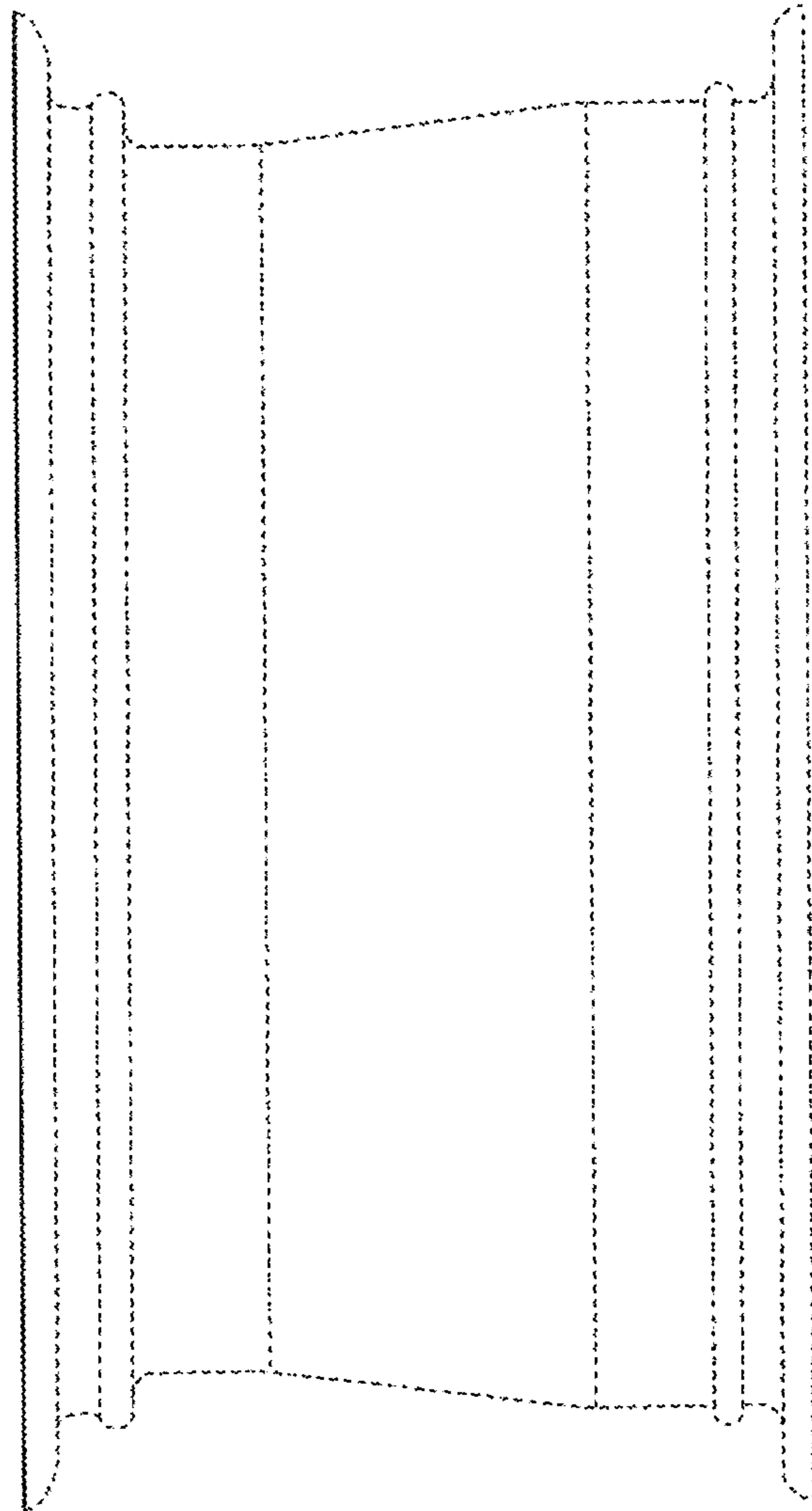


FIG. 4

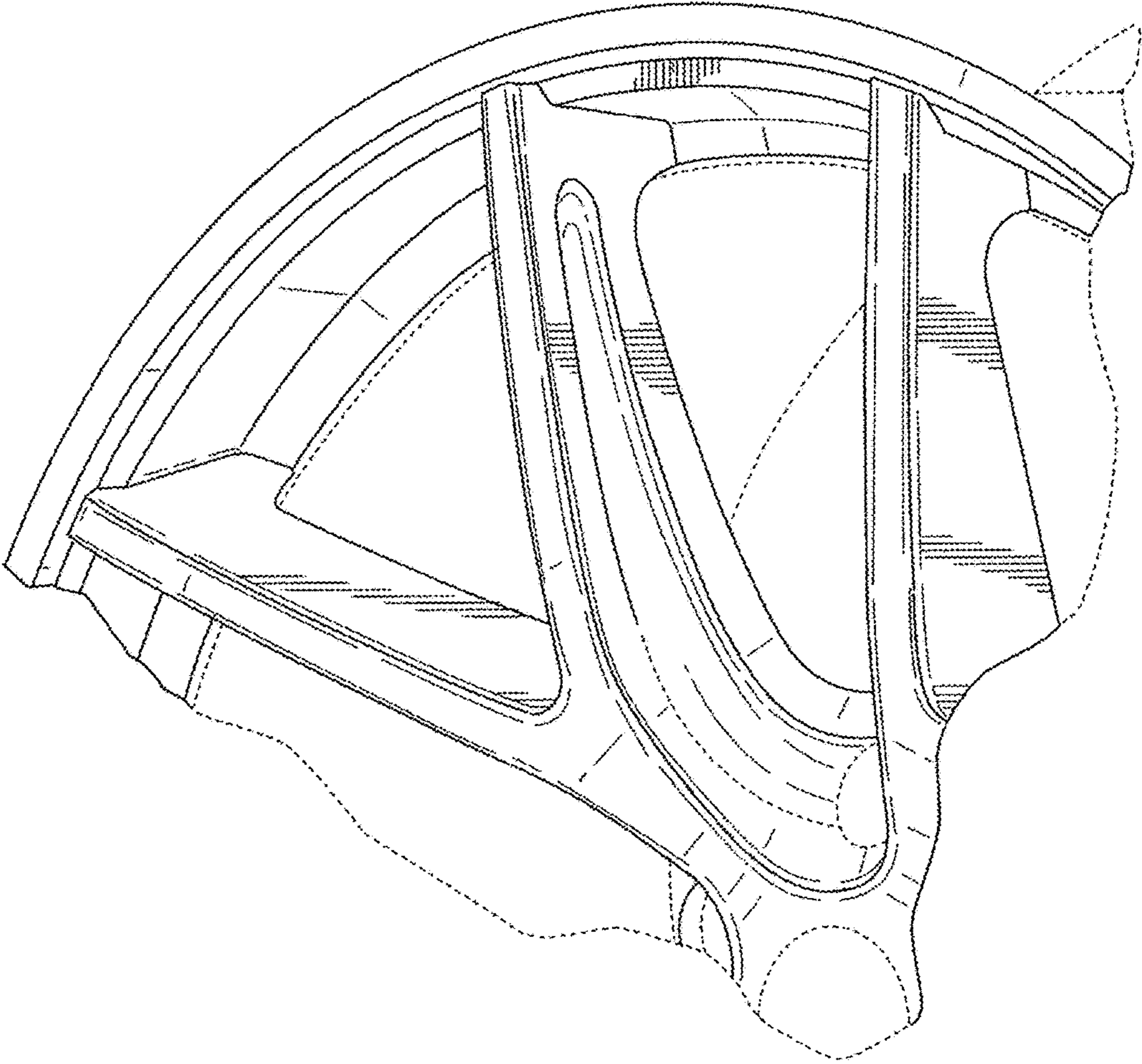


FIG. 5

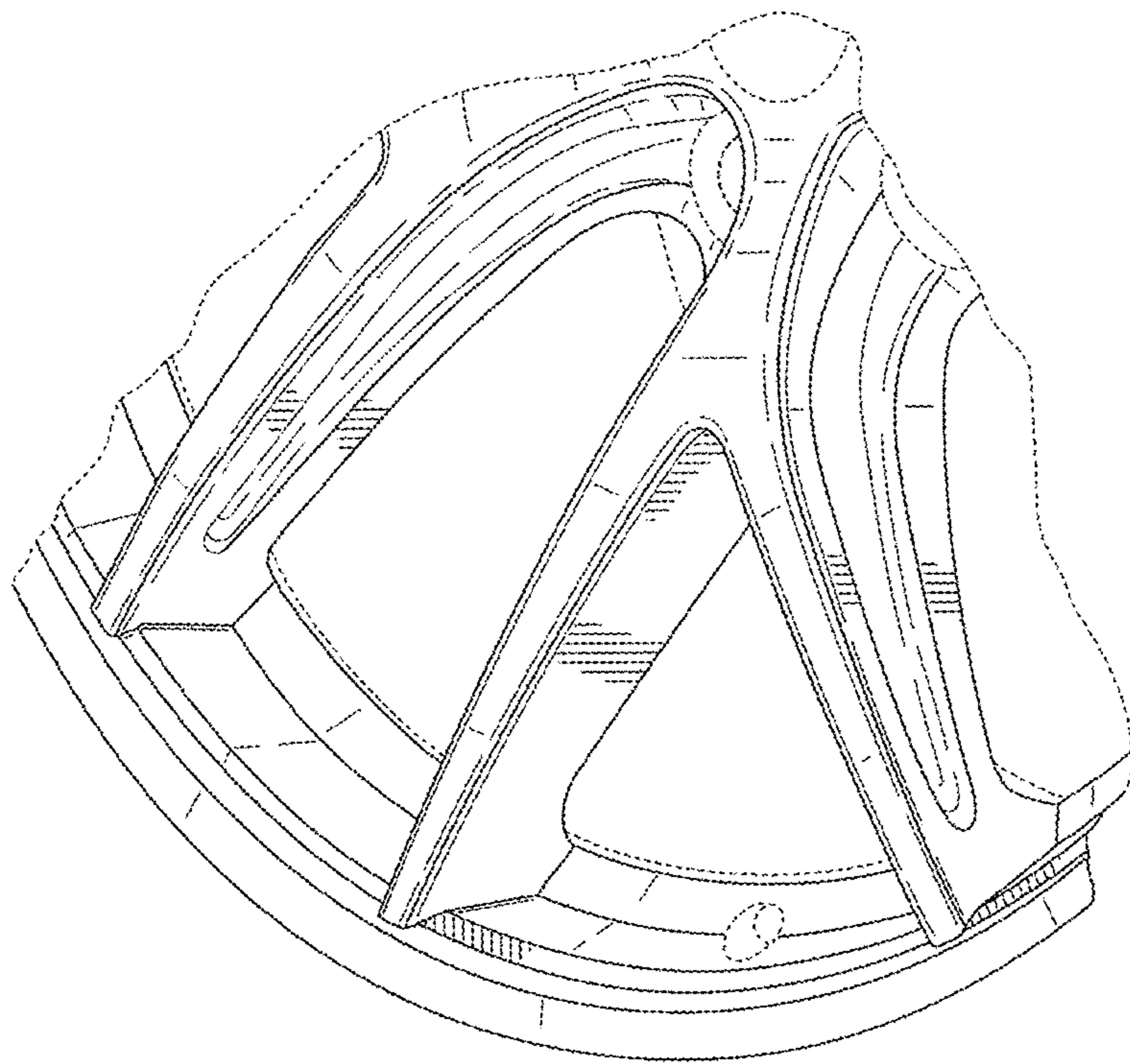


FIG. 6