



US00D805991S

(12) **United States Design Patent**
Platto et al.

(10) **Patent No.:** **US D805,991 S**

(45) **Date of Patent:** **** Dec. 26, 2017**

(54) **VEHICLE WHEEL**

(71) Applicant: **Ford Global Technologies, LLC**,
Dearborn, MI (US)

(72) Inventors: **Gordon M. Platto**, Troy, MI (US);
Sean W. Tant, Livonia, MI (US);
Anthony Meyer, Ferndale, MI (US)

(73) Assignee: **Ford Global Technologies, LLC**,
Dearborn, MI (US)

(**) Term: **15 Years**

(21) Appl. No.: **29/588,187**

(22) Filed: **Dec. 19, 2016**

(51) **LOC (10) Cl.** **12-16**

(52) **U.S. Cl.**
USPC **D12/209**

(58) **Field of Classification Search**
USPC D12/204–213
CPC B60B 7/00; B60B 7/02; B60B 7/04; B60B
7/01; B60B 7/06; B60B 3/02; B60B 3/04;
B60B 3/06; B60B 3/10; B60B 1/00;
B60B 1/08; B60B 1/10; B60B 1/12
See application file for complete search history.

(56) **References Cited**

U.S. PATENT DOCUMENTS

D461,441 S * 8/2002 Hartanto D12/211
D612,789 S 3/2010 Tant

D613,660 S 4/2010 Tant
D614,109 S 4/2010 Tant
D614,110 S 4/2010 Tant
D614,112 S 4/2010 Tant
D625,243 S * 10/2010 Holstein D12/211
D668,199 S 10/2012 Tant
D695,183 S * 12/2013 Chung D12/209
D706,695 S 6/2014 Platto
D706,699 S 6/2014 Platto
D706,700 S 6/2014 Platto
D715,719 S 10/2014 Platto
D732,449 S * 6/2015 Grake D12/209
D755,105 S * 5/2016 Garbas D12/211
D775,049 S * 12/2016 Scheer D12/211
D780,084 S * 2/2017 Scheer D12/209
D783,498 S * 4/2017 Platto D12/211
D787,415 S * 5/2017 Juergens D12/211

* cited by examiner

Primary Examiner — Stacia Cadmus

(74) *Attorney, Agent, or Firm* — James Dottavio

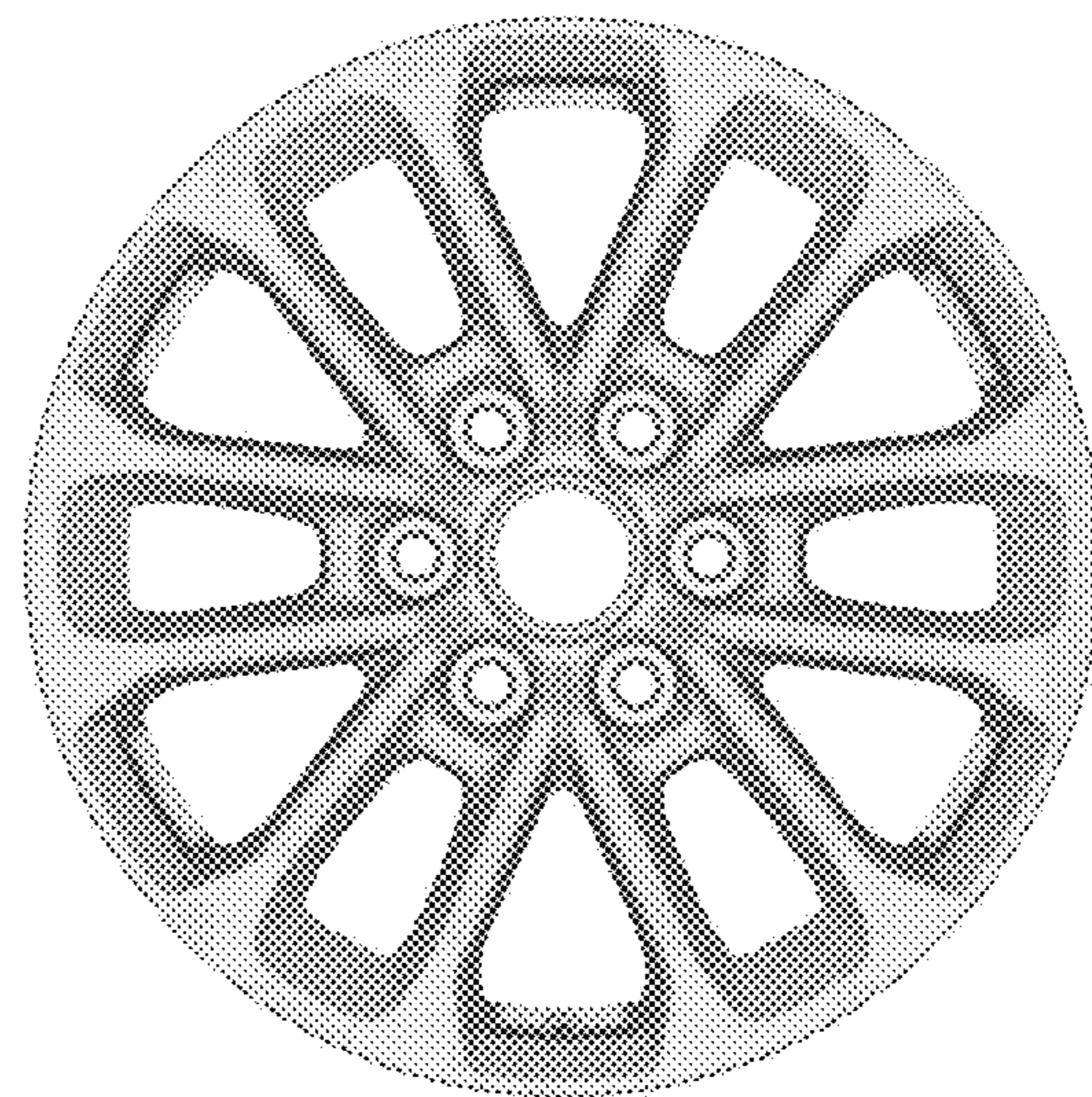
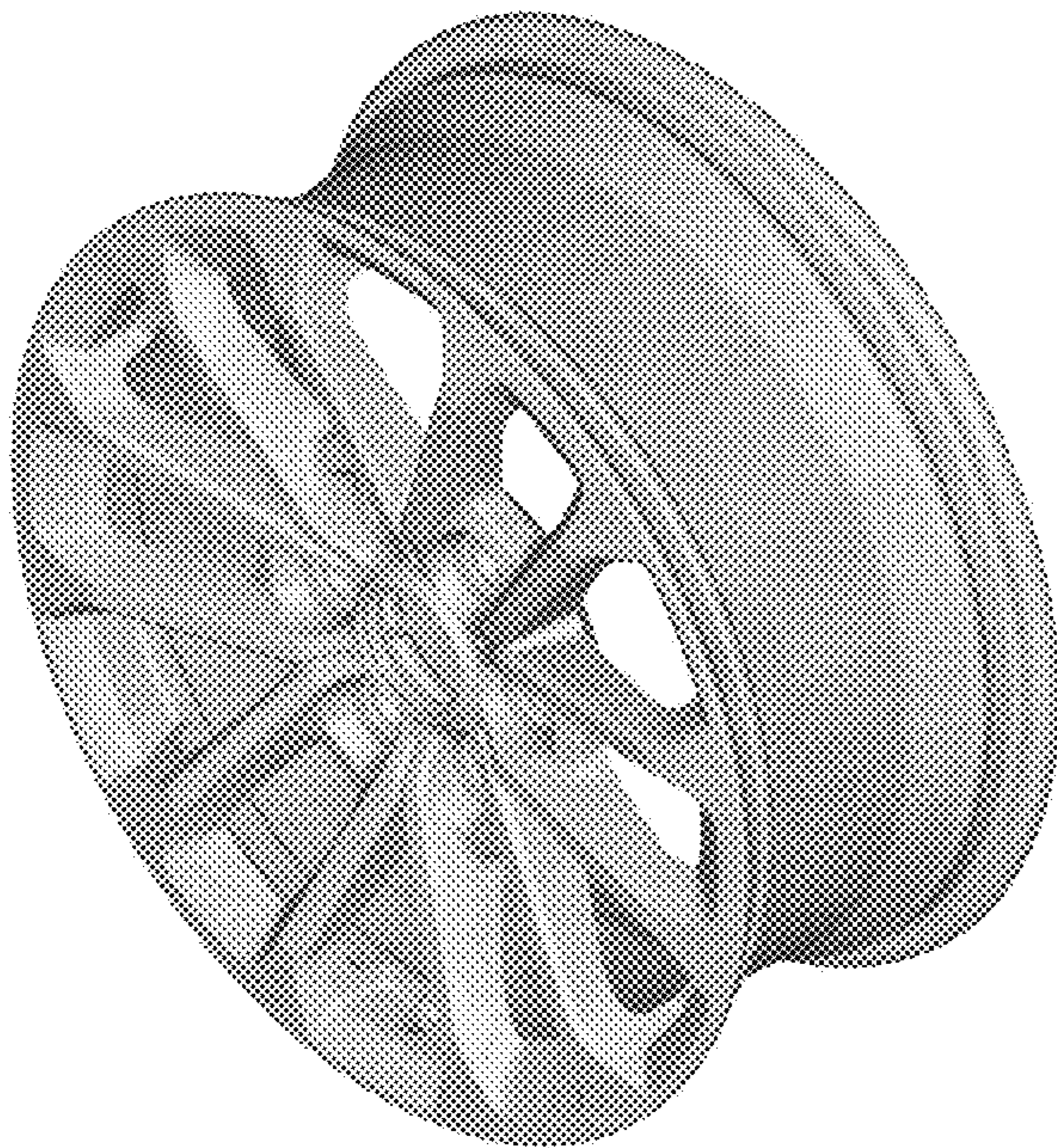
(57) **CLAIM**

The ornamental design for a vehicle wheel, as shown.

DESCRIPTION

FIG. 1 is a top perspective view of a vehicle wheel showing our new design; and,
FIG. 2 is a front elevational view thereof.

1 Claim, 2 Drawing Sheets



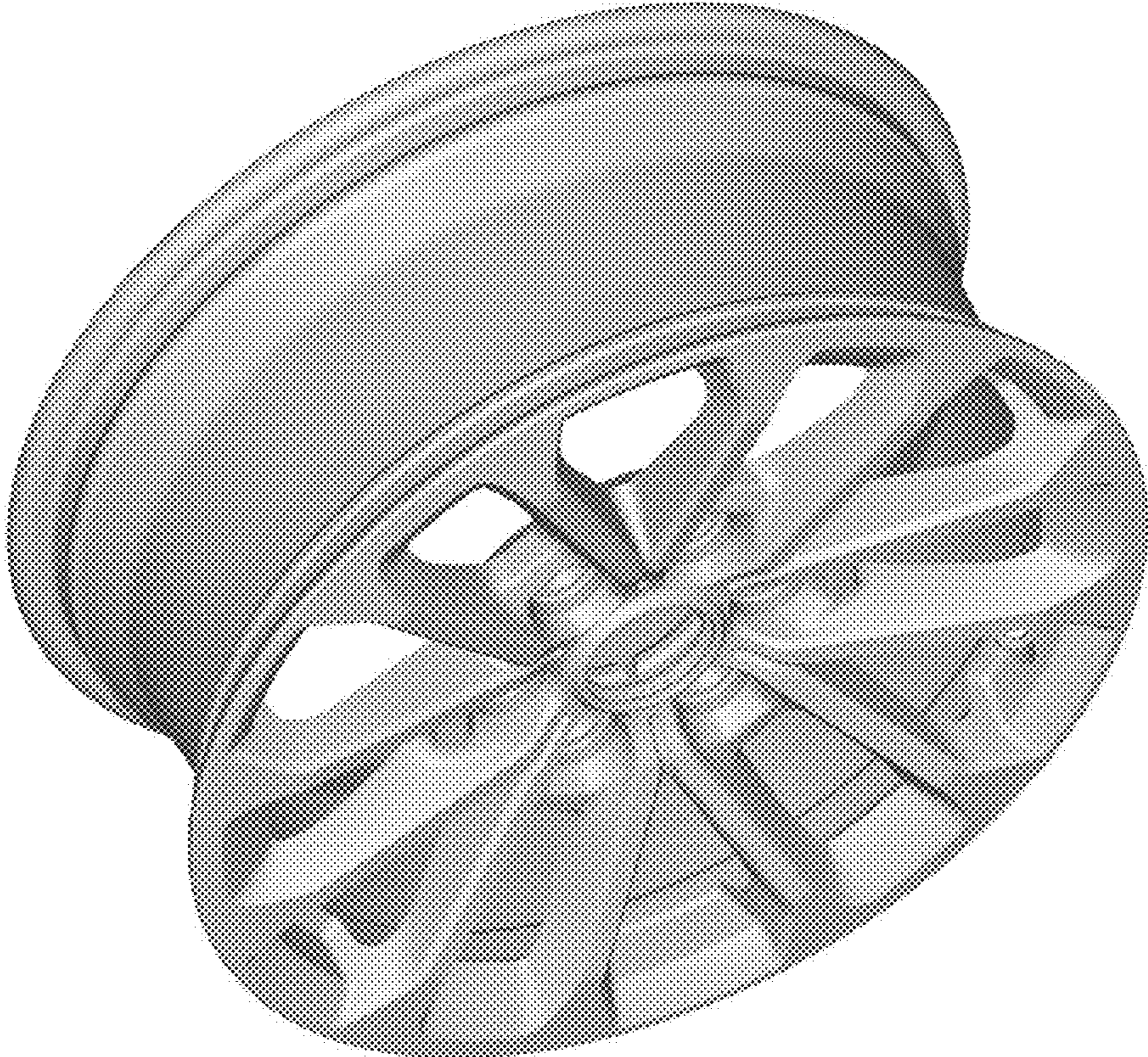


Fig. 1

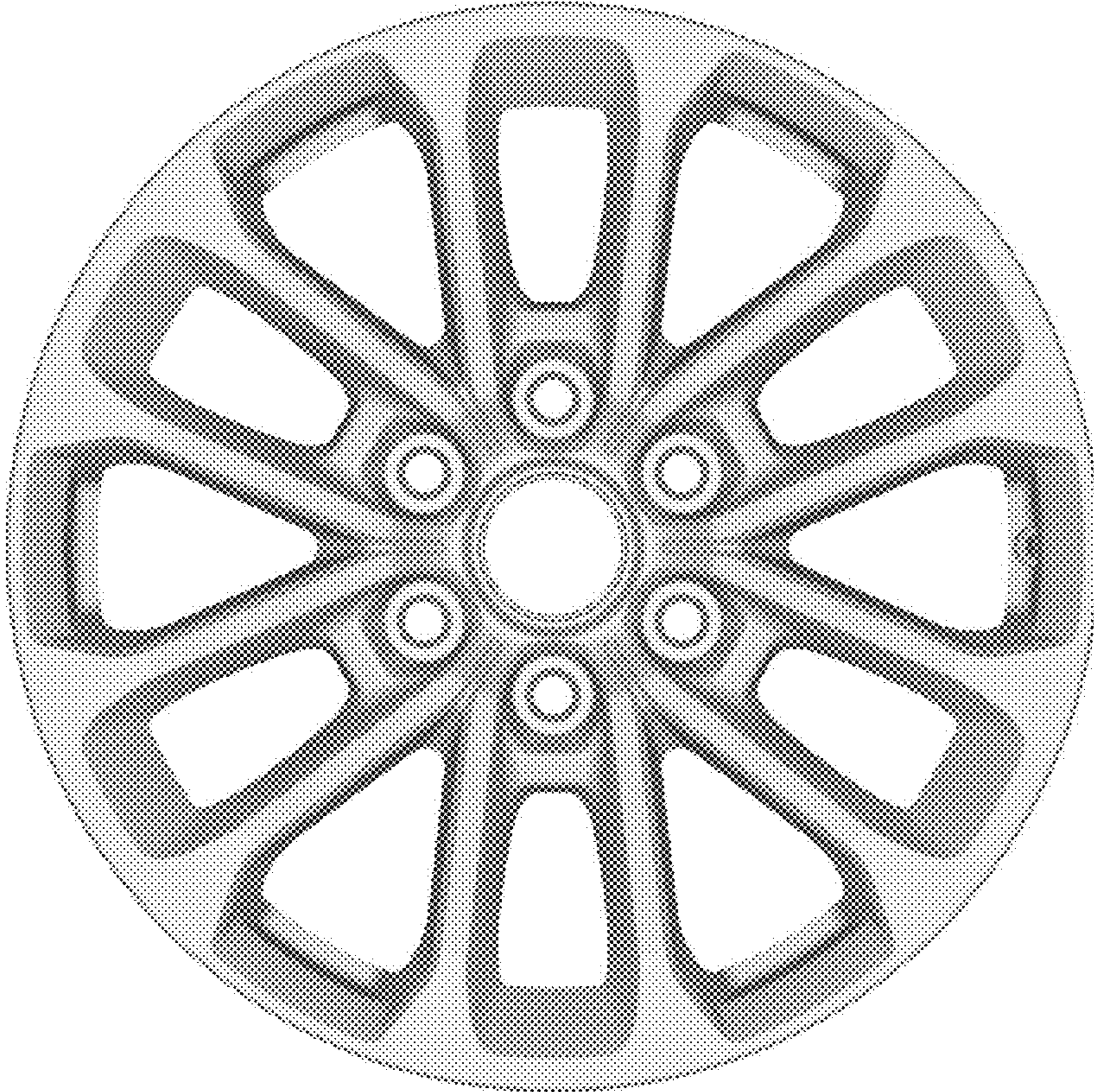


Fig. 2