



US00D805983S

(12) **United States Design Patent** (10) **Patent No.:** **US D805,983 S**
Ito et al. (45) **Date of Patent:** **** Dec. 26, 2017**

(54) **TRUCK SKIRT**

(71) Applicant: **International Truck Intellectual Property Company, LLC**, Lisle, IL (US)

(72) Inventors: **Chris Isamu Ito**, Sugar Grove, IL (US); **Glen Joel Durmisevich**, Rochester Hills, MI (US); **William D. Miller**, Macomb Township, MI (US); **Rudolph D. Gonzalez**, Wheaton, IL (US); **Robert P. Scott**, Aurora, IL (US); **James L. Smith, Jr.**, Batavia, IL (US)

(73) Assignee: **International Truck Intellectual Property Company, LLC**, Lisle, IL (US)

(**) Term: **15 Years**

(21) Appl. No.: **29/566,437**

(22) Filed: **May 31, 2016**

(51) **LOC (10) Cl.** **12-16**

(52) **U.S. Cl.**
USPC **D12/196**

(58) **Field of Classification Search**
USPC D12/86, 90-93, 96-99, 174, 175, 177, D12/181, 184, 190, 196, 221, 400
CPC B62D 35/00; B62D 35/001; B60J 1/00; B60J 1/008; B60N 3/00; B60N 3/005
See application file for complete search history.

(56) **References Cited**

U.S. PATENT DOCUMENTS

- 4,836,568 A * 6/1989 Preslik B60R 3/00 224/401
- D312,810 S * 12/1990 Preslik D12/203
- 4,991,906 A * 2/1991 Fingerle B62D 33/0612 280/164.1
- D381,949 S * 8/1997 Barrett, Jr. D12/203

- D395,848 S * 7/1998 Meryman D12/97
- D433,365 S 11/2000 Beigel et al.
- D433,967 S * 11/2000 Delashaw D12/96
- D434,348 S * 11/2000 Delashaw D12/96
- D460,023 S * 7/2002 Beigel D12/96
- D522,944 S 6/2006 Beigel et al.
- D522,945 S 6/2006 Beigel et al.
- D531,948 S * 11/2006 Angelo D12/196
- D579,843 S 11/2008 Beigel et al.
- D652,774 S 1/2012 Aris et al.
- D708,107 S * 7/2014 Jensen D12/196
- D714,199 S 9/2014 Ito et al.

(Continued)

Primary Examiner — George D. Kirschbaum

Assistant Examiner — Joseph J Kukella

(74) *Attorney, Agent, or Firm* — Jeffrey P. Calfa; Mark C. Bach

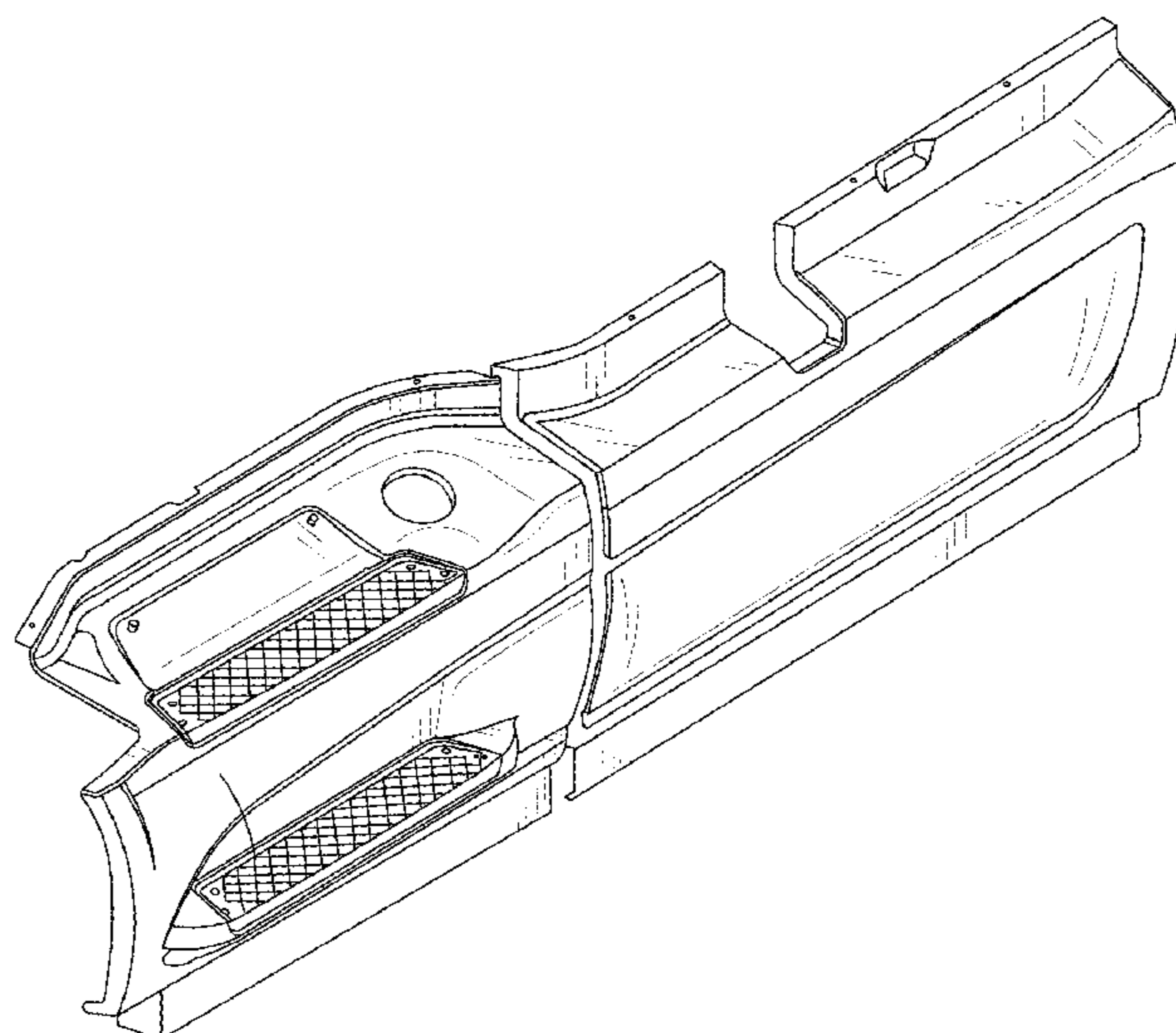
(57) **CLAIM**

The ornamental design for a truck skirt, as shown and described.

DESCRIPTION

FIG. 1 is a perspective view of a first embodiment for the truck skirt showing my/our new design;
 FIG. 2 is a bottom view of the truck skirt of FIG. 1;
 FIG. 3 is a top plan view of the truck skirt of FIG. 1;
 FIG. 4 is a left side view of the truck skirt of FIG. 1;
 FIG. 5 is a right side view of the truck skirt of FIG. 1;
 FIG. 6 is a front view of the truck skirt of FIG. 1;
 FIG. 7 is a rear view of the truck skirt of FIG. 1;
 FIG. 8 is a perspective view of a second embodiment for the truck skirt showing my/our new design;
 FIG. 9 is a top plan view of the truck skirt of FIG. 8;
 FIG. 10 is a bottom view of the truck skirt of FIG. 8;
 FIG. 11 is a left side view of the truck skirt of FIG. 8;
 FIG. 12 is a right side view of the truck skirt of FIG. 8;
 FIG. 13 is a front view of the truck skirt of FIG. 8; and,
 FIG. 14 is a rear view of the truck skirt of FIG. 8.

1 Claim, 14 Drawing Sheets



(56)

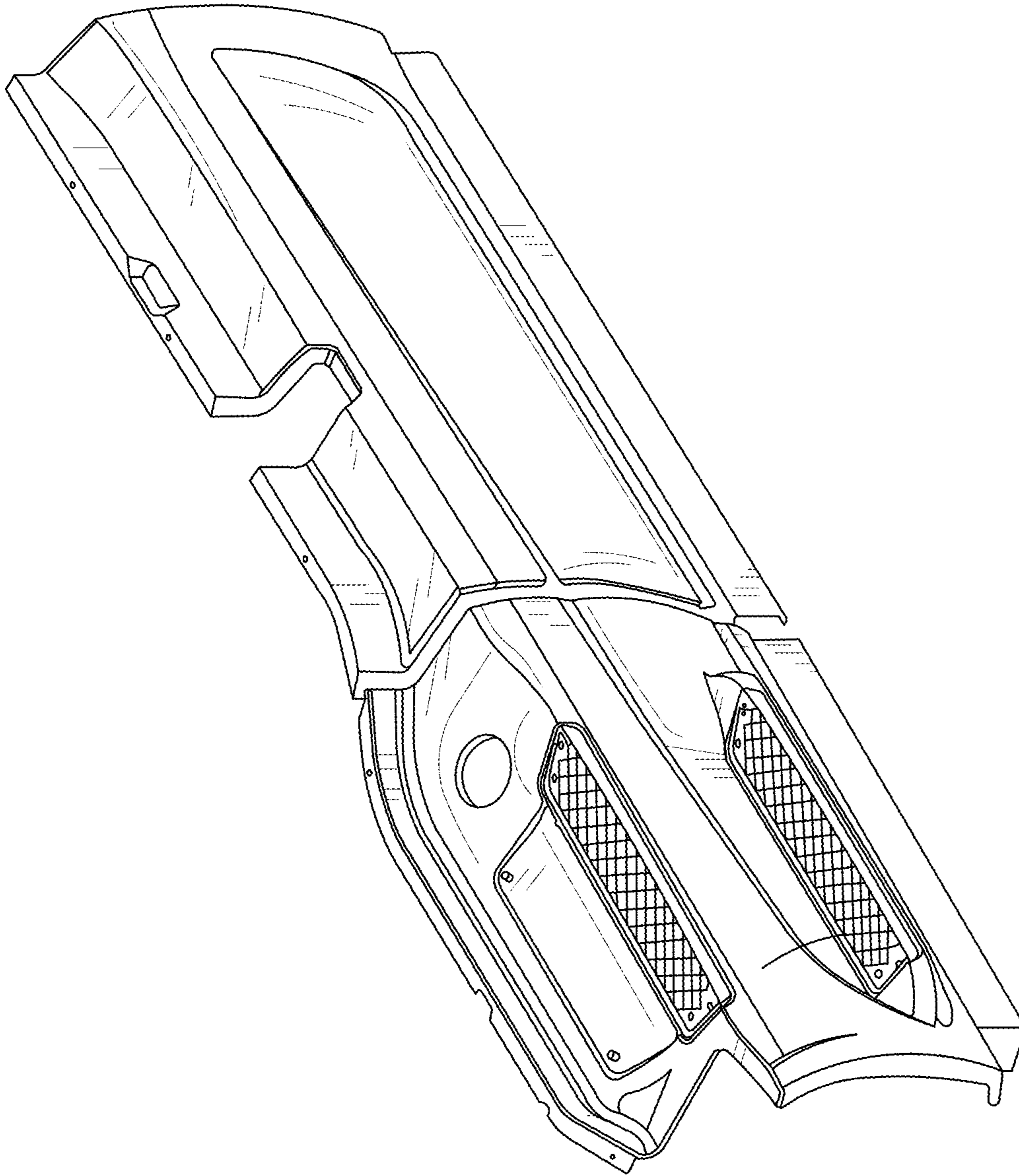
References Cited

U.S. PATENT DOCUMENTS

D716,211 S * 10/2014 Jensen D12/196
2009/0033058 A1 * 2/2009 VanderGriend B60R 3/00
280/164.1

* cited by examiner

FIG. 1



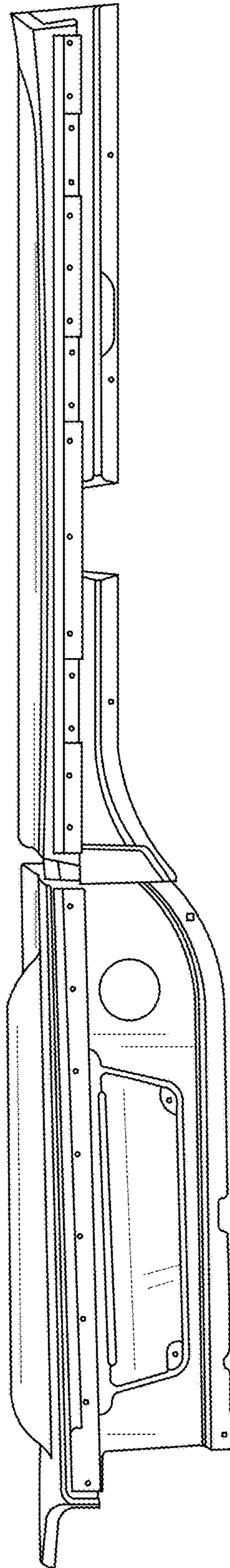


FIG. 2

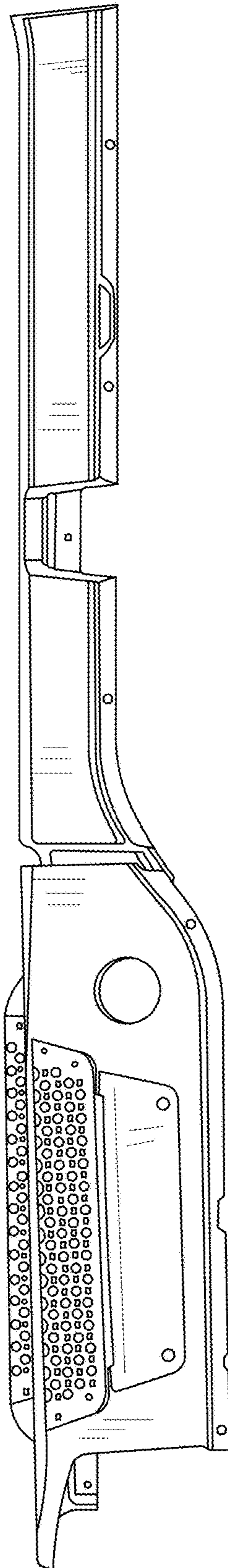


FIG. 3

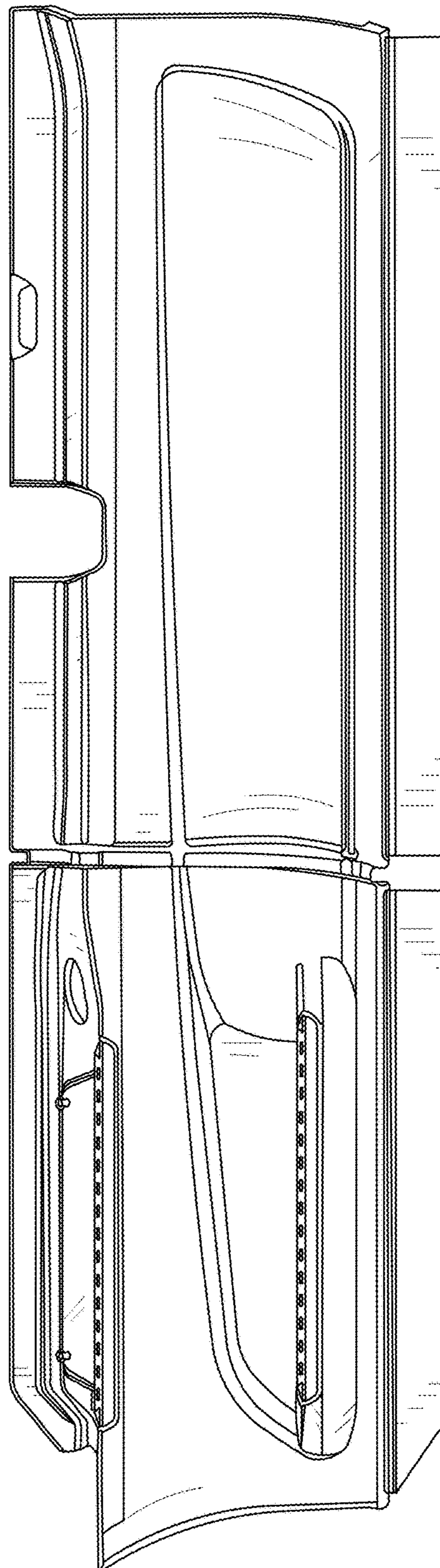


FIG. 4

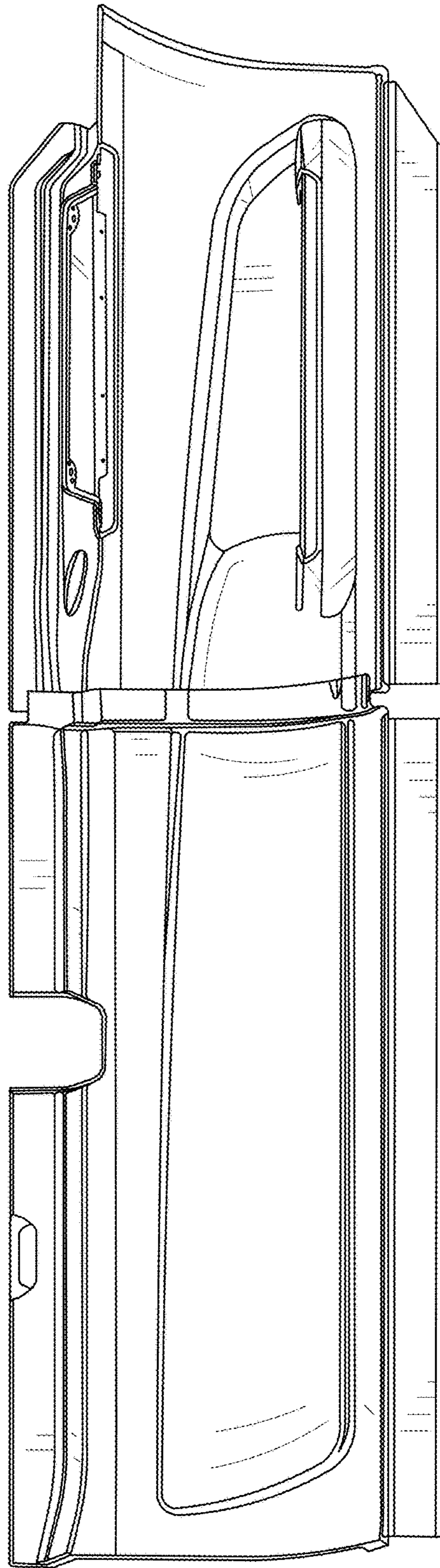


FIG. 5

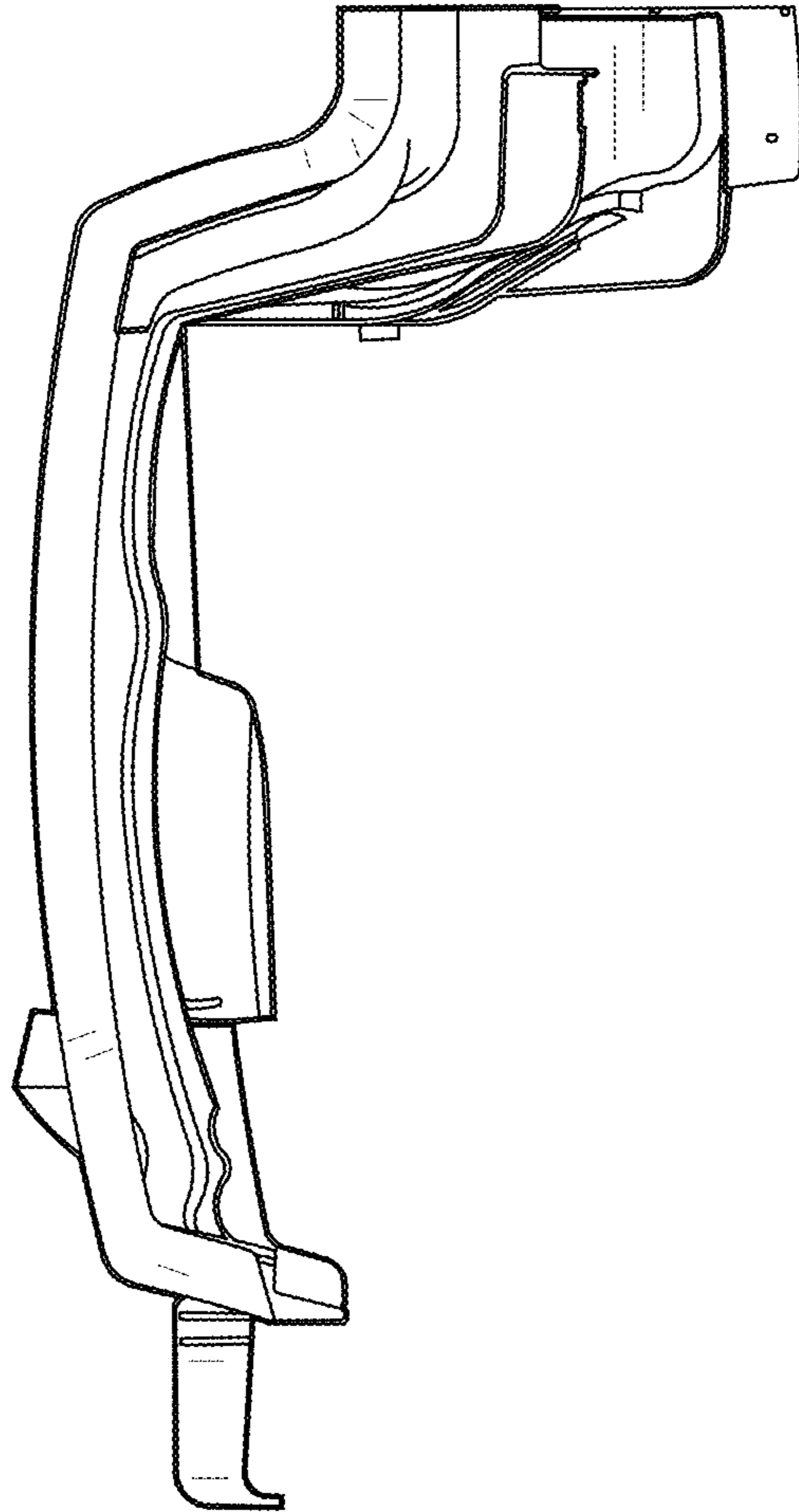


FIG. 6

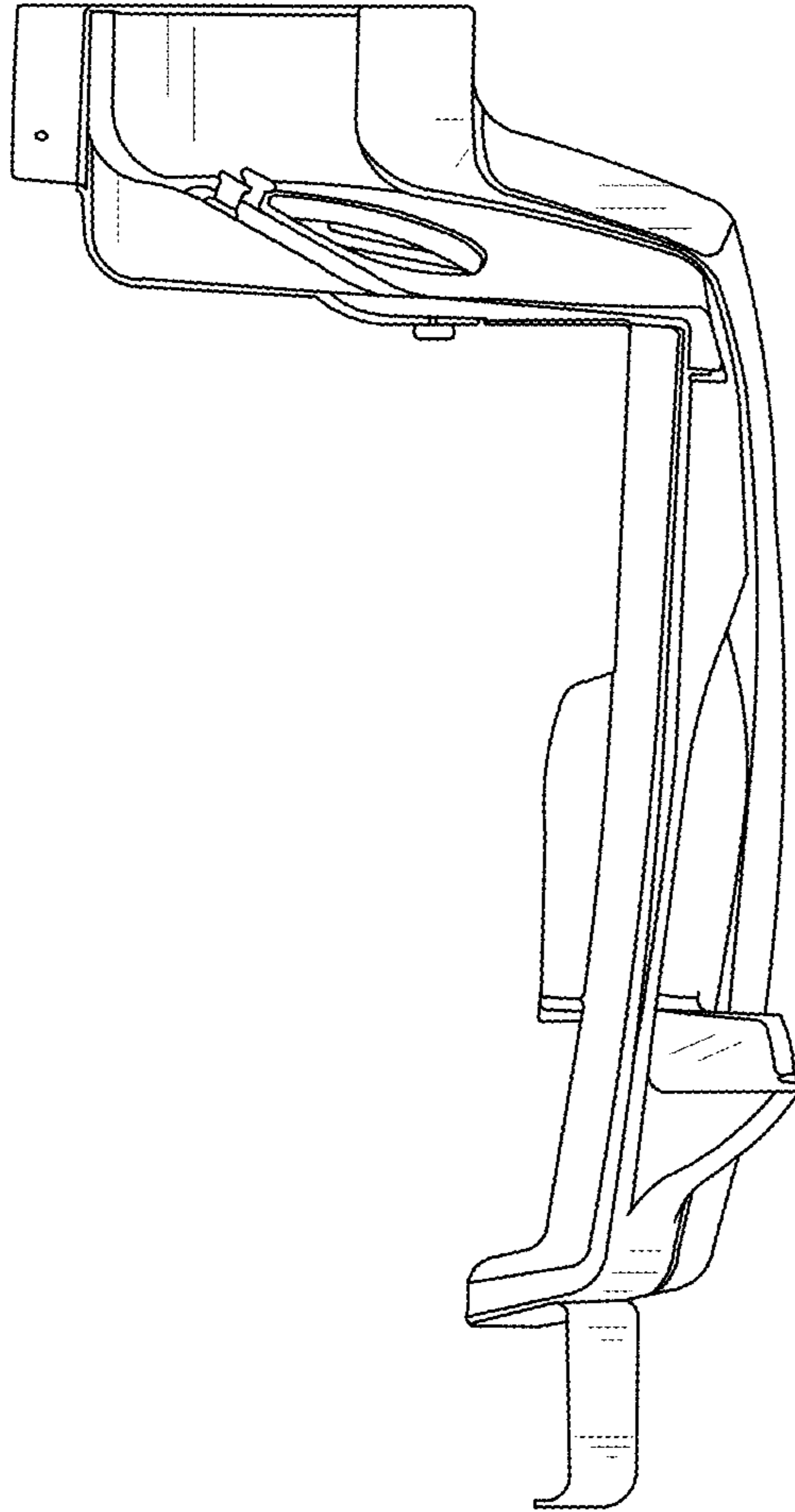
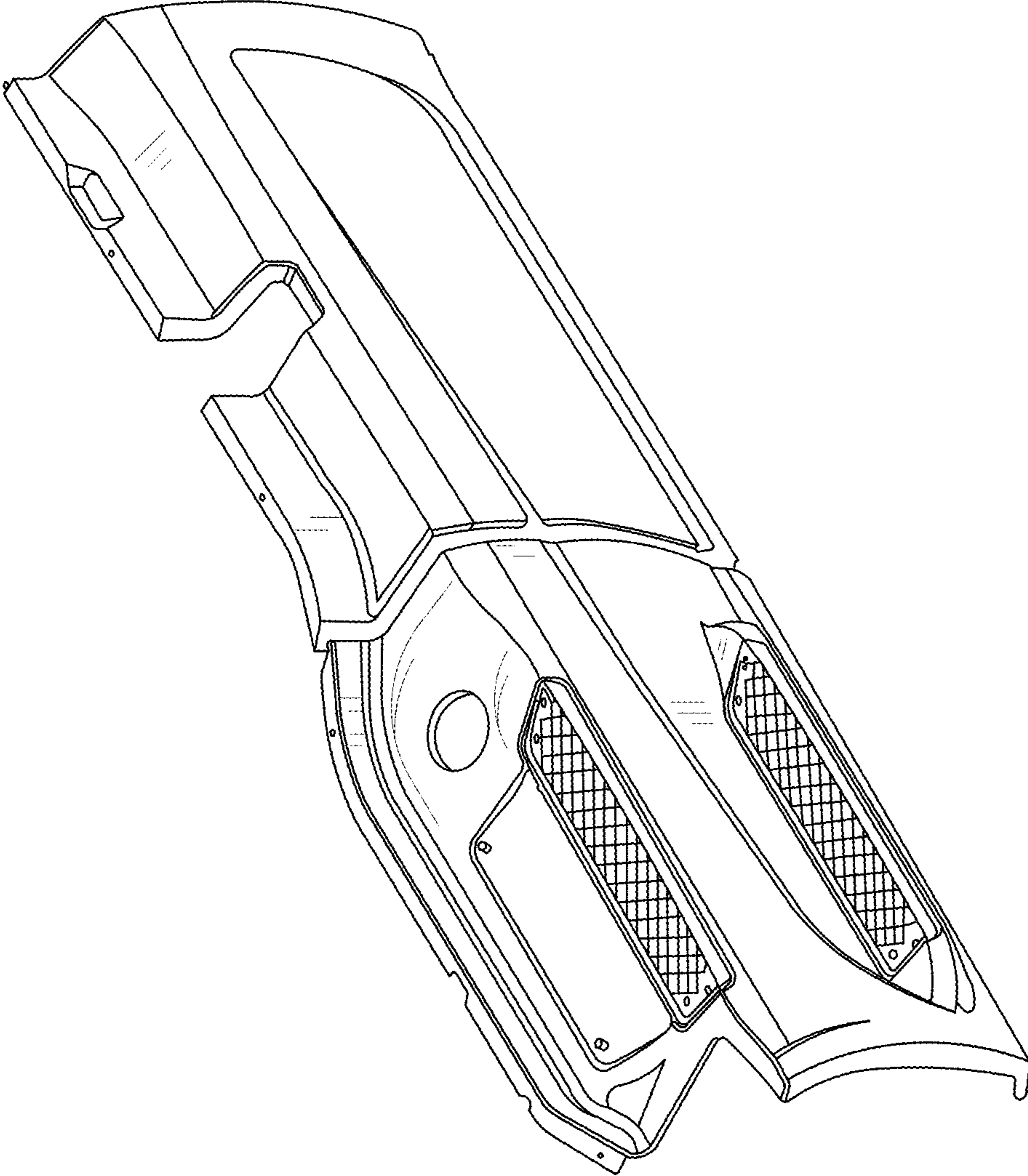


FIG. 7

FIG. 8



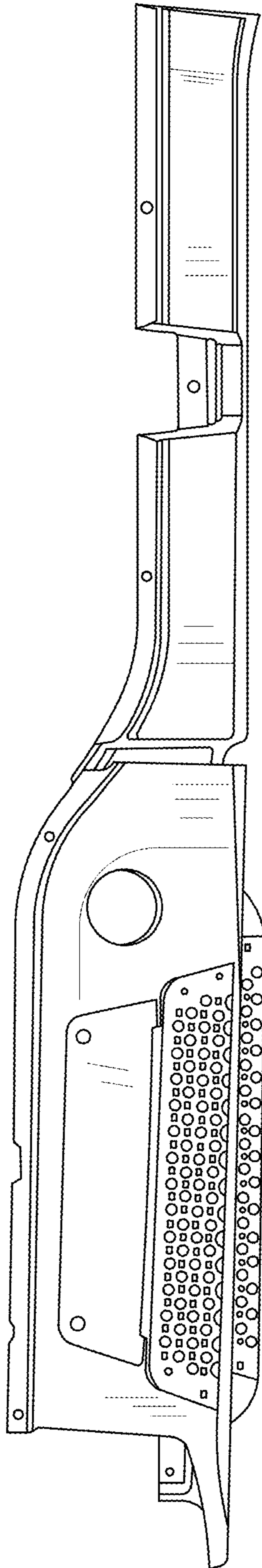


FIG. 9

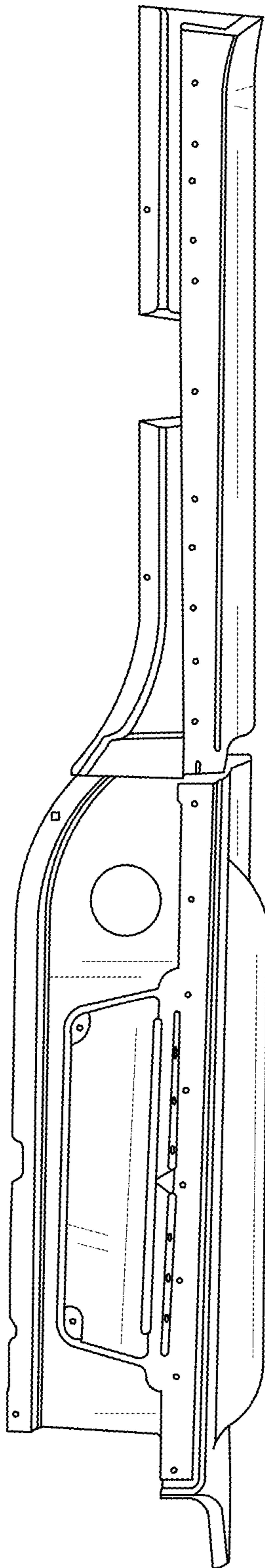


FIG. 10

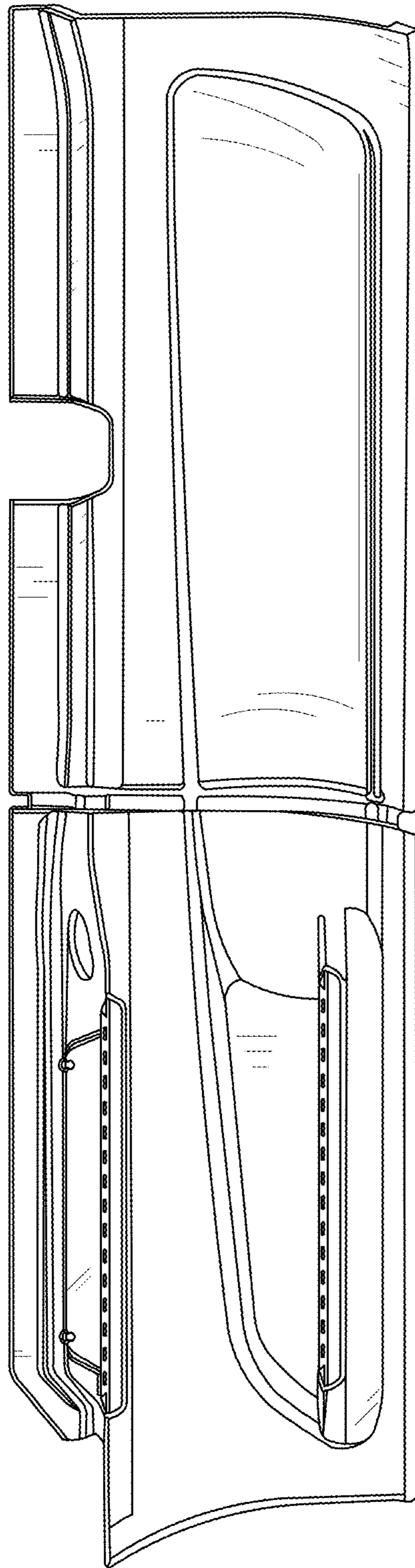


FIG. 11

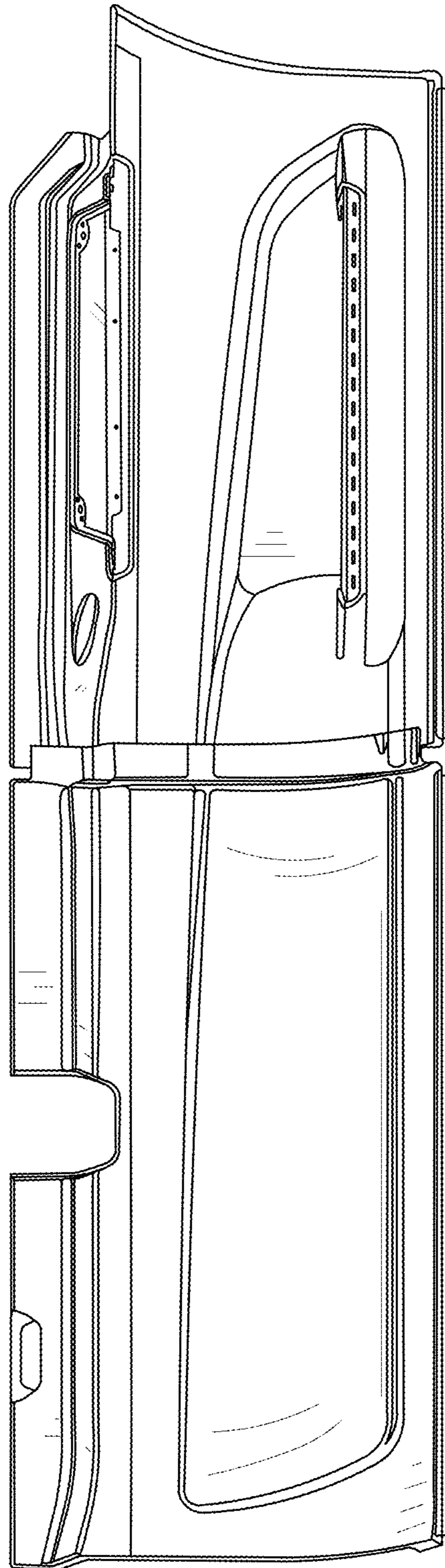


FIG. 12

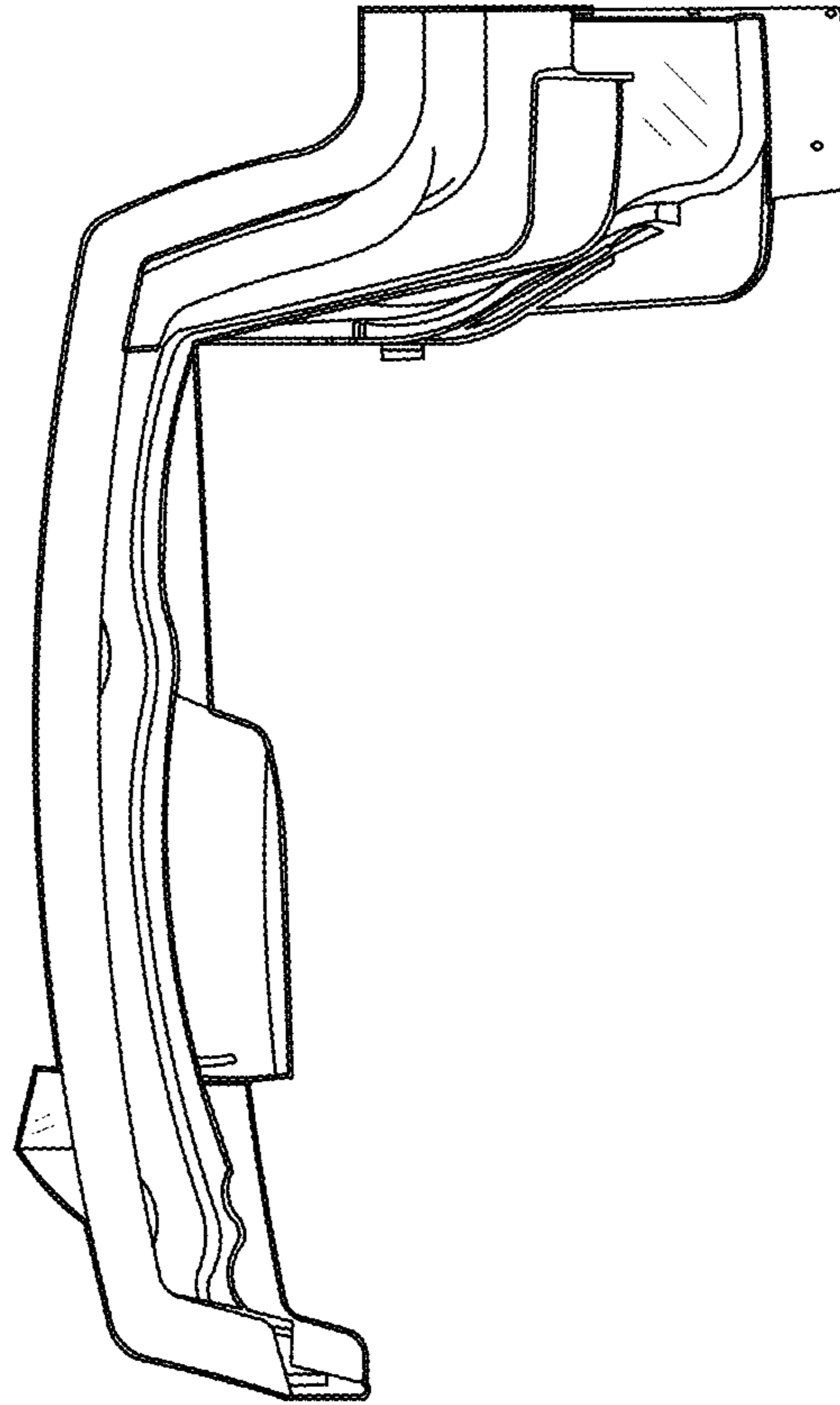


FIG. 13

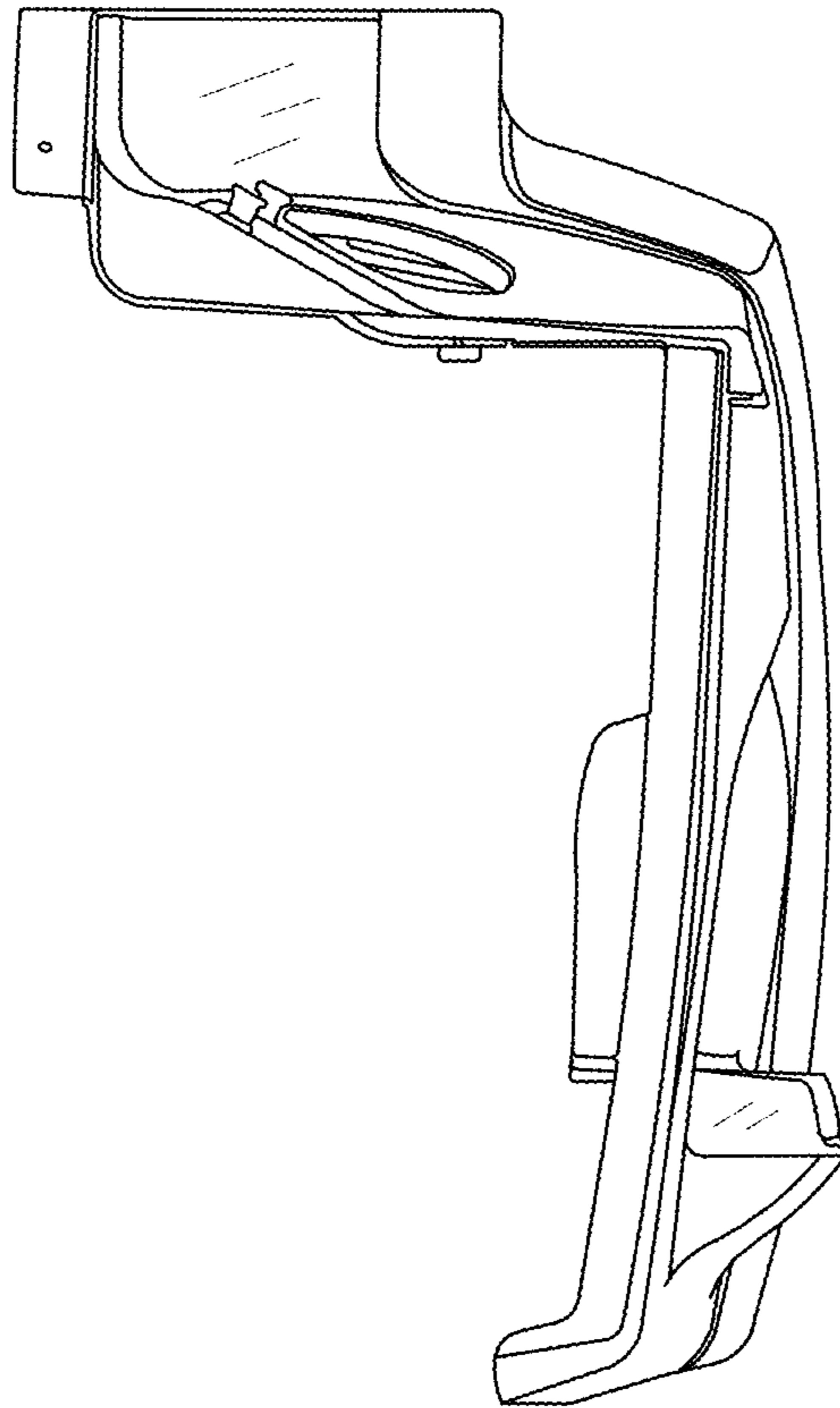


FIG. 14