



US00D805981S

(12) **United States Design Patent** (10) **Patent No.:** **US D805,981 S**
Conway et al. (45) **Date of Patent:** **** *Dec. 26, 2017**

(54) **HOOD SIDE PANEL**
(71) Applicants: **Scott M. Conway**, Flower Mound, TX (US); **Derek S. Sancer**, Corinth, TX (US)
(72) Inventors: **Scott M. Conway**, Flower Mound, TX (US); **Derek S. Sancer**, Corinth, TX (US)

D403,636 S 1/1999 Meryman et al.
D403,637 S * 1/1999 Abalos D12/173
D403,639 S 1/1999 Gale et al.
D411,494 S 6/1999 Meryman et al.
D412,689 S 8/1999 Onopa
D422,251 S 4/2000 Bader et al.
D431,806 S 10/2000 Damon et al.
D433,980 S 11/2000 Conway et al.
D434,358 S 11/2000 Conway et al.
(Continued)

(73) Assignee: **PACCAR Inc**, Bellevue, WA (US)
(*) Notice: This patent is subject to a terminal disclaimer.
(**) Term: **15 Years**

OTHER PUBLICATIONS

“AeroCab,” Kenworth Truck Company, Kirkland, Washington, 1993, 5-page brochure.
(Continued)

(21) Appl. No.: **29/540,122**
(22) Filed: **Sep. 21, 2015**
(51) **LOC (10) Cl.** **12-16**
(52) **U.S. Cl.**
USPC **D12/196**
(58) **Field of Classification Search**
USPC D12/190, 192, 196, 83, 181, 163, 164, D12/169, 167, 171, 216, 86, 90, 91, 92
CPC B62D 24/00; B62D 24/02; B62D 25/02; B62D 25/18; B62D 25/08; B62D 35/00; B60J 5/04; B60R 19/02; B60R 19/04
See application file for complete search history.

Primary Examiner — Daniel Bui
Assistant Examiner — Andrew Kerr
(74) *Attorney, Agent, or Firm* — Christensen O’Connor Johnson Kindness PLLC

(57) **CLAIM**

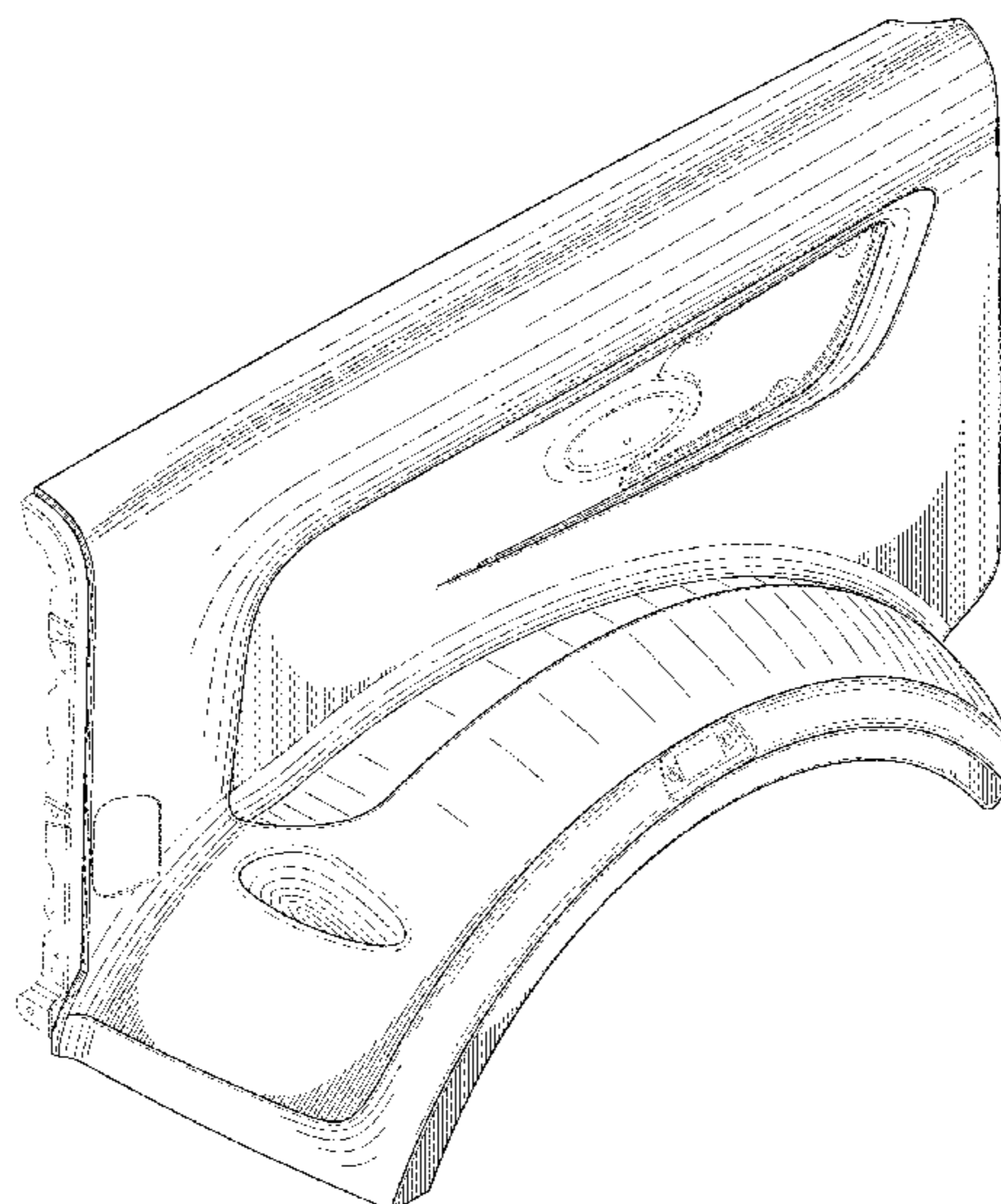
The ornamental design for a hood side panel, as shown and described.

DESCRIPTION

FIG. 1 is a perspective view of a hood side panel showing our new design;
FIG. 2 is a front view thereof;
FIG. 3 is a top view thereof;
FIG. 4 is a left side view thereof; and,
FIG. 5 is a right side view thereof.
The broken lines shown in the figures represent portions of the hood side panel that form no part of the claimed design. FIGS. 1-5 illustrate a first embodiment of our novel design for use on one side of a vehicle. Our novel design also includes a second embodiment suitable for use on the opposite side of a vehicle, which is mirror symmetrical to FIGS. 1-5 and therefore not separately illustrated.

(56) **References Cited**
U.S. PATENT DOCUMENTS
D50,345 S 2/1917 Green
D50,346 S 2/1917 Green
D366,638 S 1/1996 Tucker et al.
D366,640 S 1/1996 Tucker et al.
D382,239 S 8/1997 Logan et al.
D382,841 S 8/1997 Norwood et al.
D382,844 S 8/1997 Norwood et al.
D395,860 S 7/1998 Meryman et al.
D401,198 S 11/1998 Mueller et al.

1 Claim, 5 Drawing Sheets



(56)

References Cited

U.S. PATENT DOCUMENTS

D435,816 S 1/2001 Delashaw et al.
 D436,563 S 1/2001 Delashaw et al.
 D443,853 S 6/2001 Barraclough et al.
 D446,175 S 8/2001 Hoyle, Jr.
 D450,277 S 11/2001 Onopa
 D460,023 S 7/2002 Beigel
 D465,749 S 11/2002 Beigel
 D466,450 S 12/2002 Maher et al.
 D478,300 S 8/2003 Chiang
 D482,993 S 12/2003 Conway et al.
 D484,077 S 12/2003 Conway et al.
 D488,112 S 4/2004 Satou
 D490,749 S 6/2004 Satou et al.
 D491,858 S 6/2004 Velazco
 D492,921 S 7/2004 Perfetti et al.
 D494,900 S 8/2004 Satou
 D495,633 S 9/2004 Chiang
 D497,581 S 10/2004 Conway et al.
 D502,901 S 3/2005 Delashaw et al.
 D502,904 S 3/2005 Delashaw et al.
 D503,912 S * 4/2005 Metros D12/184
 D504,642 S 5/2005 Perfetti et al.
 D511,727 S 11/2005 Shaw et al.
 D512,666 S 12/2005 Chiang
 D514,483 S 2/2006 Chiang
 D517,965 S 3/2006 Metros et al.
 D518,761 S 4/2006 Chiang
 D523,793 S 6/2006 Beigel et al.
 D524,204 S 7/2006 Beigel
 D531,947 S 11/2006 Angelo et al.
 D532,350 S 11/2006 Angelo et al.
 D532,352 S 11/2006 Angelo et al.
 D540,725 S 4/2007 Gunter et al.
 D540,727 S 4/2007 Elliott et al.
 D545,250 S 6/2007 Angelo et al.
 D545,251 S 6/2007 Angelo et al.
 D545,254 S 6/2007 Angelo et al.
 D545,255 S 6/2007 Angelo et al.
 D560,575 S 1/2008 Simons et al.
 D560,582 S 1/2008 Simons et al.
 D560,583 S 1/2008 Simons et al.
 D563,281 S 3/2008 Simons et al.
 D563,849 S 3/2008 Medina et al.
 D563,850 S 3/2008 Rosen et al.
 D563,851 S 3/2008 Rosen et al.
 D563,852 S 3/2008 Rosen et al.
 D563,853 S 3/2008 Rosen et al.
 D564,427 S 3/2008 Beigel et al.
 D566,635 S 4/2008 Rosen et al.
 D571,696 S 6/2008 Rosen et al.
 D643,352 S 8/2008 Hjorten et al.
 D578,453 S 10/2008 Raghavendran et al.
 D588,512 S 3/2009 Raghavendran et al.
 D592,574 S 5/2009 Larson
 D597,003 S 7/2009 Yamazaki et al.
 D605,986 S 12/2009 Raghavendran et al.
 D619,941 S 7/2010 Krauss
 D621,754 S 8/2010 Angelo et al.
 D622,188 S 8/2010 Angelo et al.
 D632,234 S 2/2011 Peltola et al.
 D647,016 S 10/2011 Medina et al.
 D647,832 S * 11/2011 Medina D12/173
 D654,401 S * 2/2012 Peltola D12/173
 D654,417 S 2/2012 Peltola et al.
 D685,294 S 7/2013 Hanson et al.
 D706,690 S * 6/2014 Peltola D12/184
 D707,160 S * 6/2014 Peltola D12/173
 D707,161 S * 6/2014 Peltola D12/173
 D707,163 S * 6/2014 Peltola D12/184
 D708,104 S * 7/2014 Conway D12/196
 D708,553 S * 7/2014 Conway D12/96
 D708,985 S * 7/2014 Peltola D12/96
 D708,986 S * 7/2014 Conway D12/96
 D709,406 S * 7/2014 Conway D12/96
 D709,407 S * 7/2014 Conway D12/96

D709,421 S * 7/2014 Conway D12/196
 D709,422 S * 7/2014 Peltola D12/196
 D709,423 S * 7/2014 Peltola D12/196
 D709,424 S * 7/2014 Conway D12/196
 D709,425 S * 7/2014 Conway D12/196
 D770,952 S * 11/2016 Heilaneh D12/181
 D771,539 S * 11/2016 Brzustowicz D12/173
 2013/0025954 A1 1/2013 Miller et al.

OTHER PUBLICATIONS

“AeroCab,” Kenworth Truck Company, Kirkland, Washington, as early as 1995, 3-page brochure.
 “C500B,” Kenworth Truck Company, Kirkland, Washington, as early as 1990, 4-page brochure.
 “Class Pays, Medium Duty,” Peterbilt Motors Company, Denton, Texas, Sep. 2000, 12-page brochure.
 “Class Pays, Truck Models,” Peterbilt Motors Company, Denton, Texas, Mar. 2005, 24-page brochure.
 “Class Pays,” Peterbilt Motors Company, Denton, Texas, Nov. 1998, 10-page brochure.
 Class Pays, Peterbilt Motors Company, Denton, Texas, Sep. 1997, 10-page brochure.
 Class Pays, Construction Trucks, Peterbilt Motors Company, Denton, Texas, Nov. 2003, 16-page brochure.
 “Kenworth Truck Models,” Kenworth Truck Company, Kirkland, Washington, 2010, 16-page brochure.
 “Model 330,” Peterbilt Motors Company, Denton, Texas, Oct. 1997, 3-page brochure.
 “Model 357 Heavy Haul,” Peterbilt Motors Company, Denton, Texas, Mar. 2005, 2-page brochure.
 “Model 357 Standard Specifications,” Peterbilt Motors Company, Newark, California, Sep. 1986, 6-page brochure.
 “Model 357, New Sloped Hood,” Peterbilt Motors Company, Denton, Texas, May 2002, 2-page brochure.
 “Model 357,” Peterbilt Motors Company, Denton, Texas, May 1994, 3-page brochure.
 “Model 357-115,” Peterbilt Motors Company, Denton, Texas, Mar. 2005, 2-page brochure.
 “Model 375 Standard Specifications,” Peterbilt Motors Company, Newark, California, Sep. 1986, 6-page brochure.
 “Model 377A/E,” Peterbilt Motors Company, Denton, Texas, Aug. 1997, 2-page brochure.
 “Model 377A/E,” Peterbilt Motors Company, Denton, Texas, Jan. 1995, 6-page brochure.
 “Model 378,” Peterbilt Motors Company, Denton, Texas, Mar. 1998, 3-page brochure.
 “Model 379,” Peterbilt Motors Company, Denton, Texas, Apr. 2005, 2-page brochure.
 “Model 379,” Peterbilt Motors Company, Denton, Texas, Mar. 1996, 5-page brochure.
 “Model 385,” Peterbilt Motors Company, Denton, Texas, Oct. 1996, 5-page brochure.
 “Model 387,” Peterbilt Motors Company, Denton, Texas, Oct. 2002, 2-page brochure.
 Rest with Class, Peterbilt Motors Company, Newark, California, Apr. 1978, 4-page brochure.
 “T170 Class 5,” Kenworth Truck Company, Kirkland, Washington, 2008, 4-page brochure.
 “T2000,” Kenworth Truck Company, Kirkland, Washington, 1999, 20-page brochure.
 “T2000,” Kenworth Truck Company, Kirkland, Washington, 2002, 20-page brochure.
 “T2000,” Kenworth Truck Company, Kirkland, Washington, 2005, 20-page brochure.
 “T270 Class 6 and T370 Class 7,” Kenworth Truck Company, Kirkland, Washington, 2008, 6-page brochure.
 “T270 Class 6 and T370 Class 7,” Kenworth Truck Company, Kirkland, Washington, 2009, 6-page brochure.
 “T270 Class 6 and T370 Class 7 Hybrid,” Kenworth Truck Company, Kirkland, Washington, 2009, 6-page brochure.
 “T300,” Kenworth Truck Company, Kirkland, Washington, 1994, 4-page brochure.

(56)

References Cited

OTHER PUBLICATIONS

"T300," Kenworth Truck Company, Kirkland, Washington, 2001, 16-page brochure.
"T300," Kenworth Truck Company, Kirkland, Washington, 2005, 16-page brochure.
"T440," Kenworth Truck Company, Kirkland, Washington, 2010, 2-page brochure.
"T440," Kenworth Truck Company, Kirkland, Washington, 2010, 6-page brochure.
"T470," Kenworth Truck Company, Kirkland, Washington, 2010, 6-page brochure.
"T470H," Kenworth Truck Company, Kirkland, Washington, 2009, 2-page brochure.
"T600," Kenworth Truck Company, Kirkland, Washington, 1996, 7-page brochure.
"T600," Kenworth Truck Company, Kirkland, Washington, 2002, 28-page brochure.
"T600," Kenworth Truck Company, Kirkland, Washington, 2005, 24-page brochure.
"T600A," Kenworth Truck Company, Kirkland, Washington, 1985, 10-page brochure.
"T660," Kenworth Truck Company, Kirkland, Washington, 2007, 36-page brochure.
"T660," Kenworth Truck Company, Kirkland, Washington, 2009, 36-page brochure.
"T700," Kenworth Truck Company, Kirkland, Washington, 2010, 6-page brochure.

"T800," Kenworth Truck Company, Kirkland, Washington, 1996, 7-page brochure.
"T800," Kenworth Truck Company, Kirkland, Washington, 2002, 32-page brochure.
"T800," Kenworth Truck Company, Kirkland, Washington, 2003, 32-page brochure.
"T800," Kenworth Truck Company, Kirkland, Washington, 2005, 28-page brochure.
"T800," Kenworth Truck Company, Kirkland, Washington, 2009, 28-page brochure.
"T800B," Kenworth Truck Company, Kirkland, Washington, 1993, 8-page brochure.
"The Working Class," Peterbilt Motors Company, Newark, California, Sep. 1976, 6-page brochure.
"The World's Best," Kenworth Truck Company, Kirkland, Washington, 1992, 12-page brochure.
"UnibiltTM Cab Sleeper System," Peterbilt Motors Company, Denton Texas, Aug. 1994, 6-page brochure.
"W900," Kenworth Truck Company, Kirkland, Washington, 1996, 7-page brochure.
"W900," Kenworth Truck Company, Kirkland, Washington, 2002, 32-page brochure.
"W900," Kenworth Truck Company, Kirkland, Washington, 2005, 28-page brochure.
"W900," Kenworth Truck Company, Kirkland, Washington, 2009, 28-page brochure.
"W900L Aero Cab," Kenworth Truck Company, Kirkland, Washington, 1994, 2-page brochure.

* cited by examiner

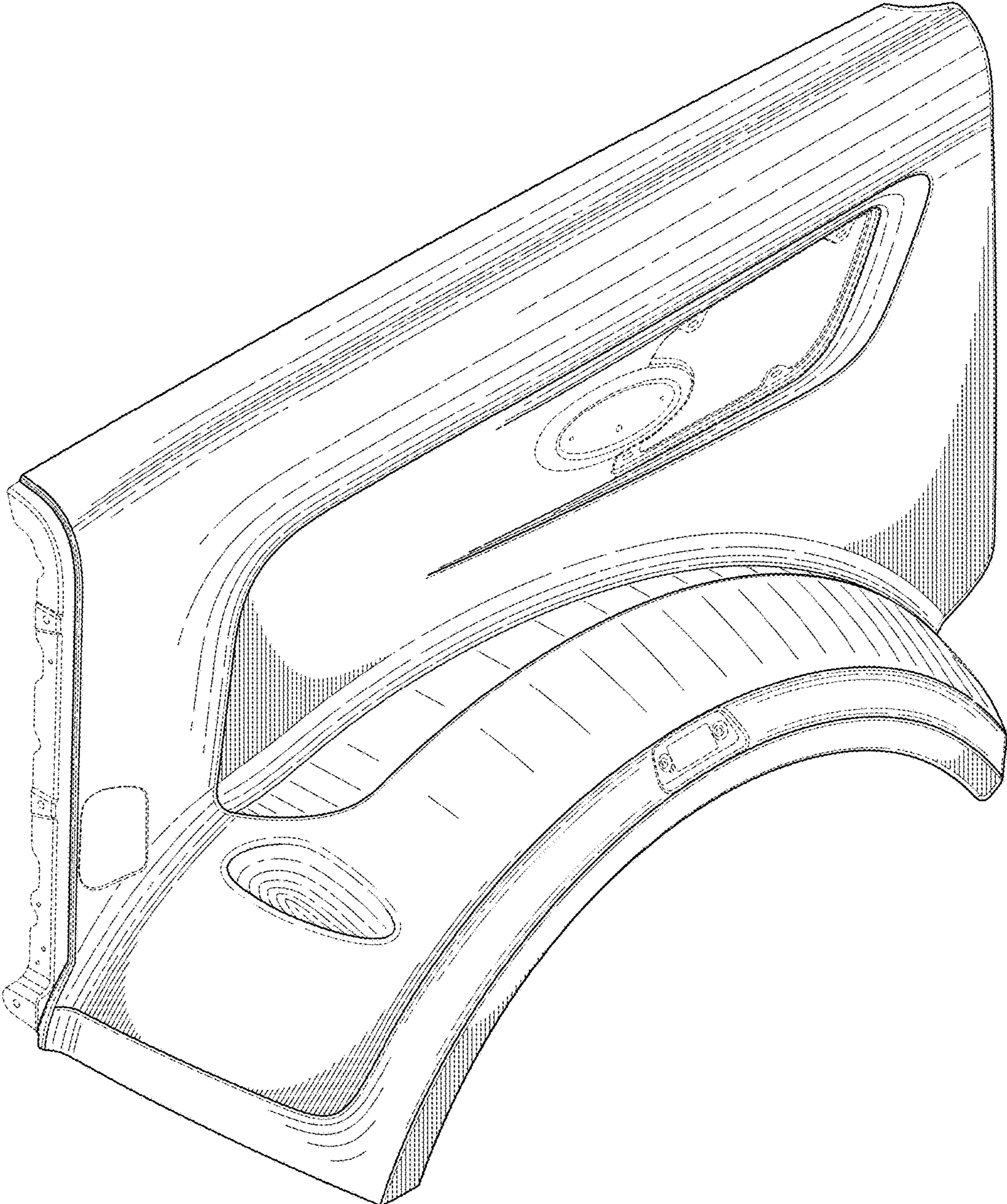


Fig. 1.

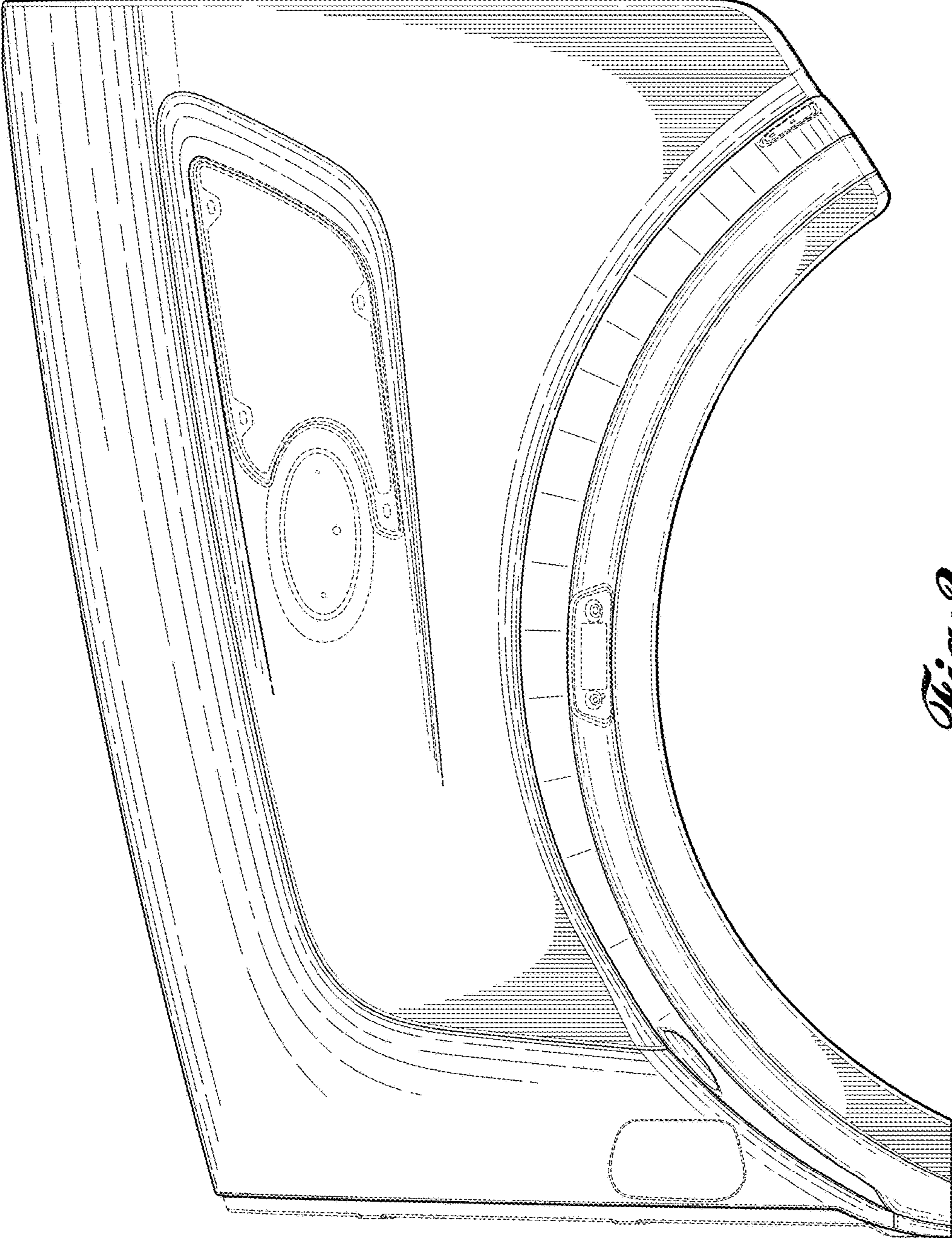


Fig. 2.

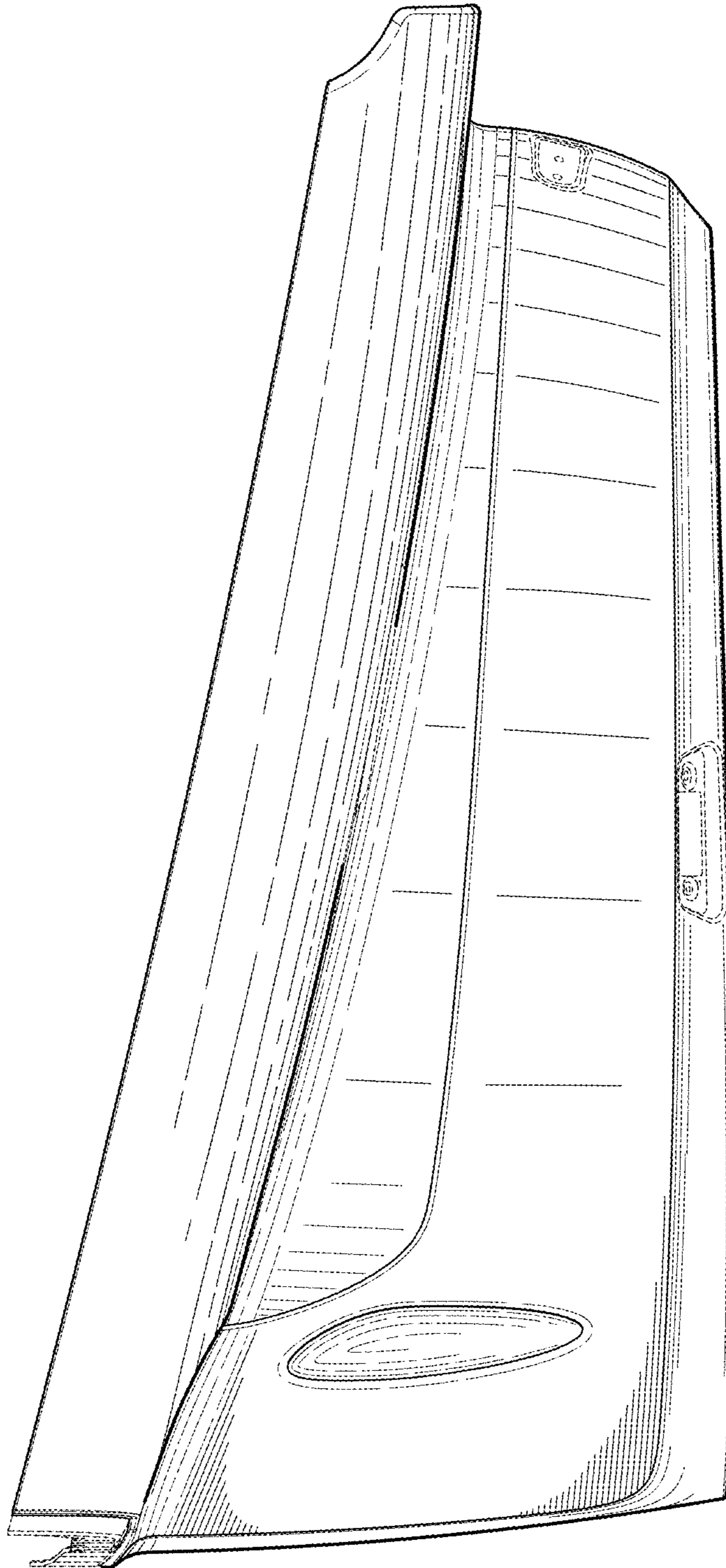


Fig. 3.

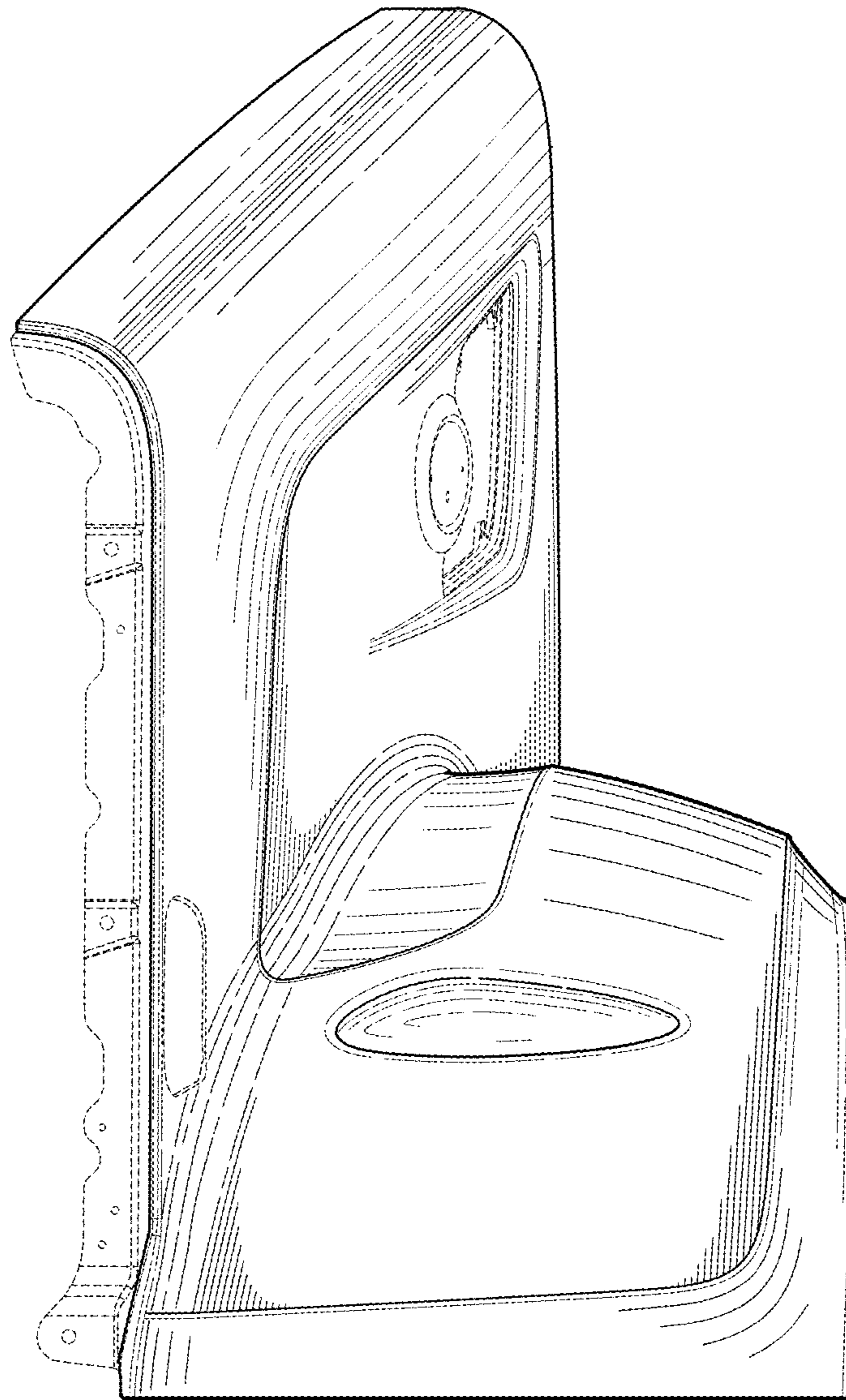


Fig. 4.

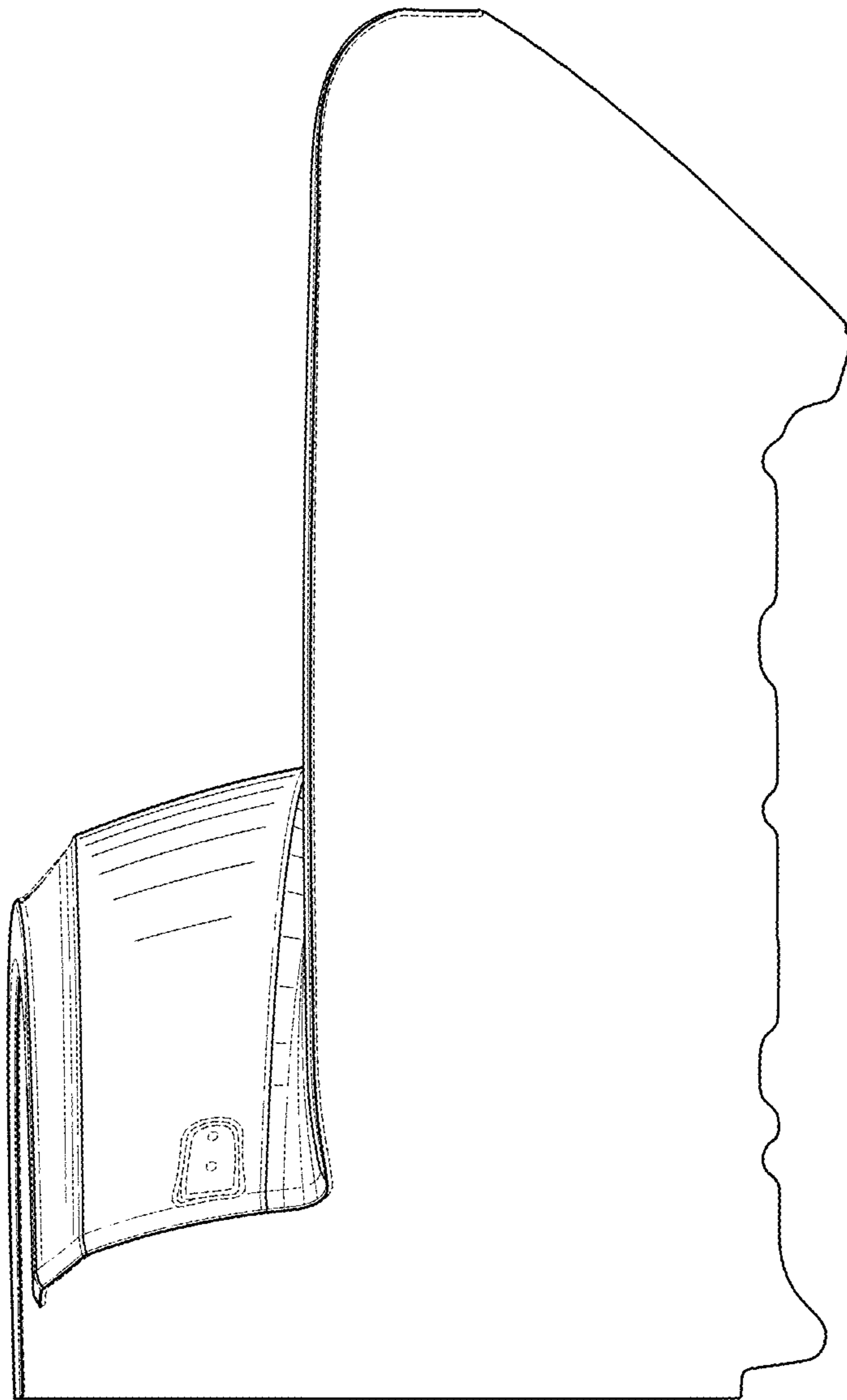


Fig. 5.