



US00D805979S

(12) **United States Design Patent**
Kubota et al.

(10) **Patent No.:** **US D805,979 S**

(45) **Date of Patent:** **** Dec. 26, 2017**

(54) **SIDE MIRROR FOR A MOTOR VEHICLE**

(71) Applicants: **Yutaka Kubota**, Toyota (JP); **Yuji Muro**, Nagoya (JP)

(72) Inventors: **Yutaka Kubota**, Toyota (JP); **Yuji Muro**, Nagoya (JP)

(73) Assignee: **Toyota Jidosha Kabushiki Kaisha**, Toyota-shi, Aichi-ken (JP)

(**) Term: **15 Years**

(21) Appl. No.: **29/561,430**

(22) Filed: **Apr. 15, 2016**

(30) **Foreign Application Priority Data**

Oct. 16, 2015 (JP) 2015-022910

(51) **LOC (10) Cl.** **12-16**

(52) **U.S. Cl.**
USPC **D12/187**

(58) **Field of Classification Search**
USPC D12/187, 188; 296/1.11, 248, 359;
359/854, 866, 606, 868, 872; D21/424,
D21/433, 495; D6/300
CPC B60R 1/006; B60R 1/008; B60R 1/02;
B60R 1/10; B60R 1/025; B60Q 1/2665
See application file for complete search history.

(56) **References Cited**

U.S. PATENT DOCUMENTS

D506,424 S * 6/2005 Kuo D12/187
6,929,300 B1 * 8/2005 Kuo B60R 1/06
248/475.1
D567,160 S * 4/2008 Baum D12/187
D587,638 S * 3/2009 Futschik D12/187
D619,946 S * 7/2010 Lamm D12/187
D620,409 S * 7/2010 Lamm D12/187
D620,410 S * 7/2010 Lamm D12/187
D631,414 S * 1/2011 Hakamata D12/187
D636,307 S * 4/2011 Lamm D12/187

D642,503 S * 8/2011 Tonello D12/187
D642,504 S * 8/2011 Tonello D12/187
D654,414 S * 2/2012 Elmitt D12/187
D661,634 S * 6/2012 Huet D12/187
D663,662 S * 7/2012 Hamilton D12/187
D666,542 S * 9/2012 Asano D12/187
D667,766 S * 9/2012 Song D12/187
D691,076 S * 10/2013 Vincent D12/187

(Continued)

OTHER PUBLICATIONS

NPL #1: BMW i8: 2015 Automobile All-Star, Automobile, Lawrence Ulrich, posted at automobilemag.com, posted Jan. 1, 2015, © 1991-2016 Automobile TEN: The Enthusiast Network, [online], [site visited Nov. 28, 2016]. Available from Internet, <URL: http://www.automobilemag.com/news/bmw-i8-2015-automobile-all-star/>.*

(Continued)

Primary Examiner — Lakiya Rogers
Assistant Examiner — Altaira Swangin
(74) *Attorney, Agent, or Firm* — Finnegan, Henderson, Farabow, Garrett & Dunner, L.L.P.

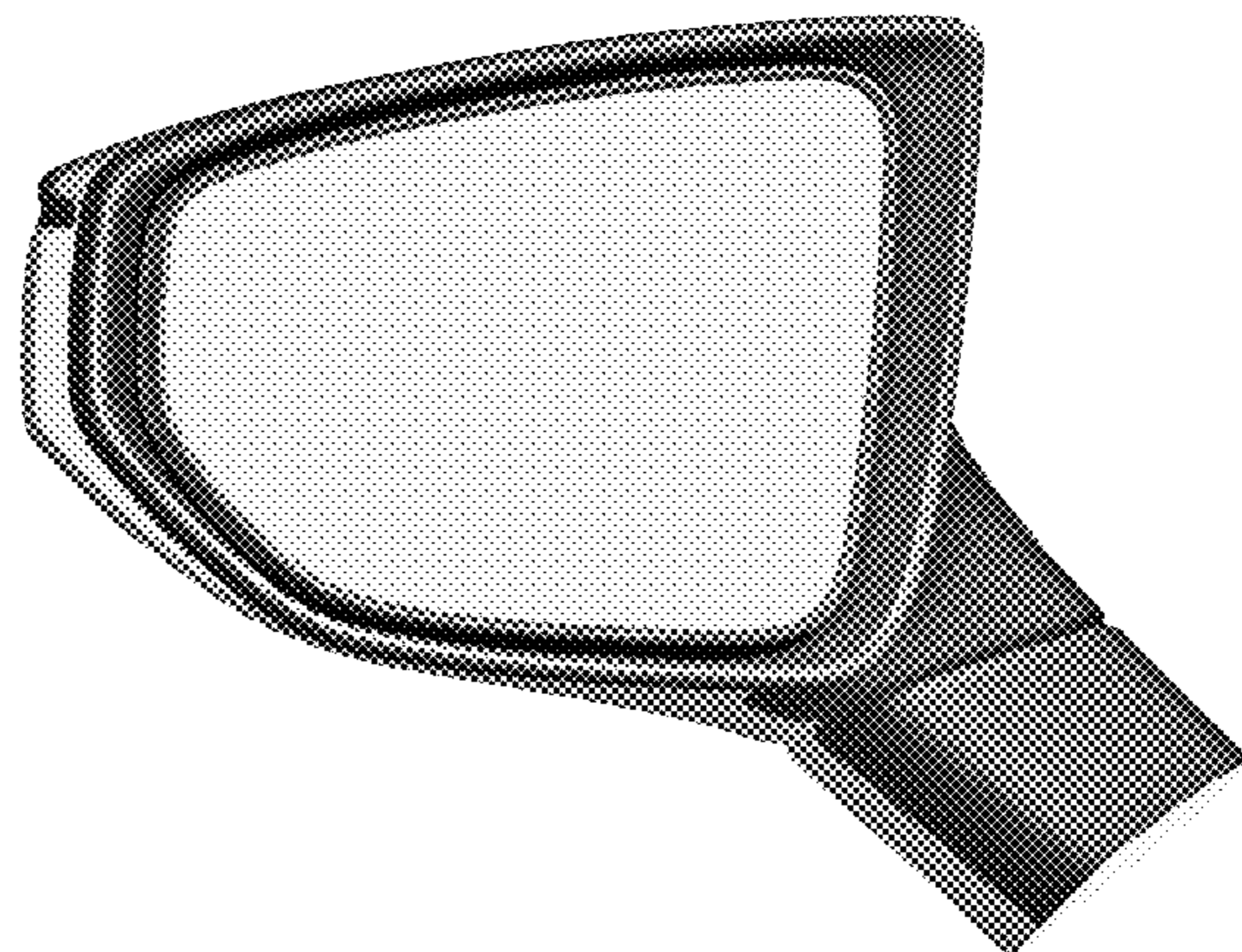
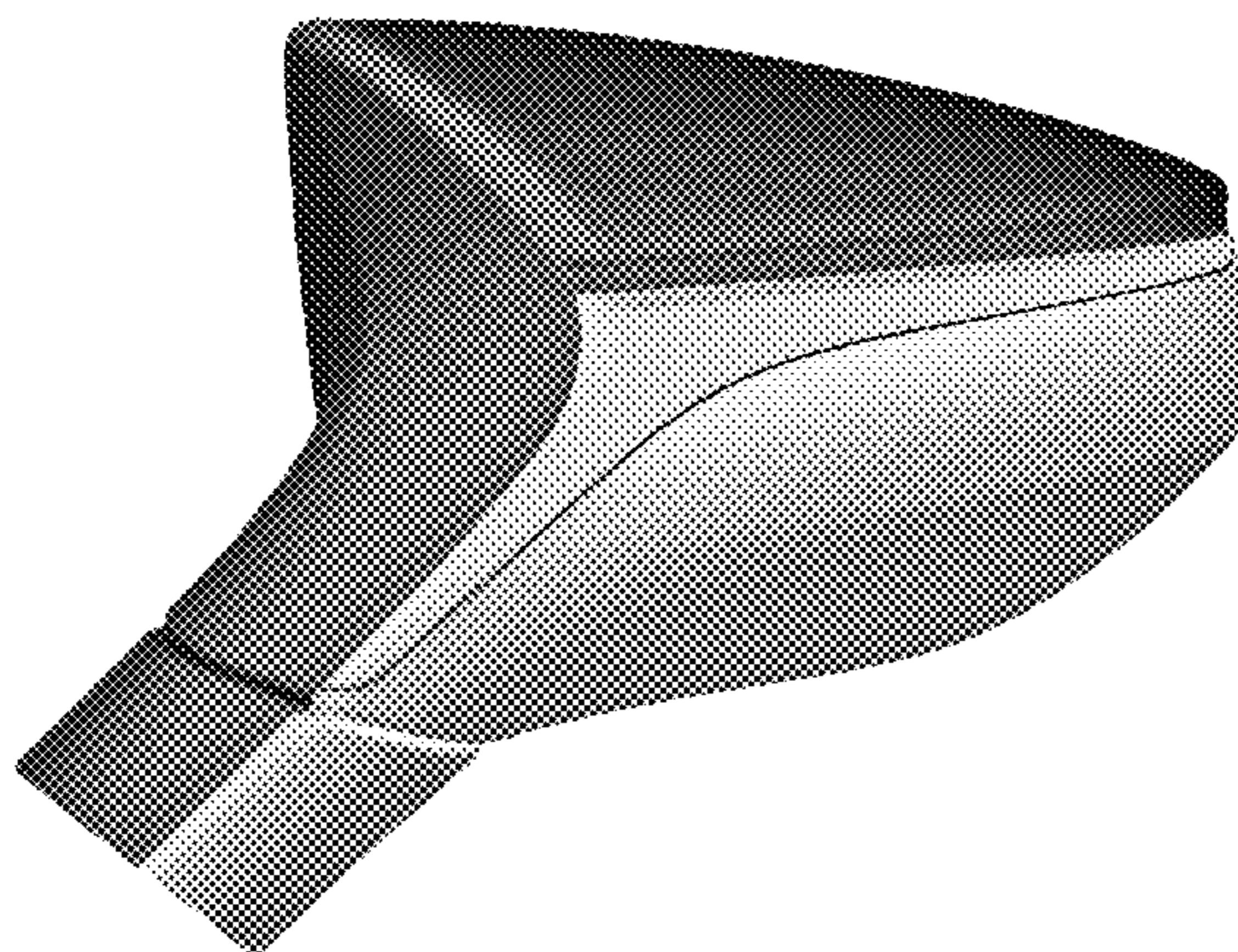
(57) **CLAIM**

The ornamental design for a side mirror for a motor vehicle, as shown and described.

DESCRIPTION

FIG. 1 is a front perspective view of a side mirror for a motor vehicle, showing our new design;
FIG. 2 is a front view thereof;
FIG. 3 is a rear view thereof;
FIG. 4 is a right side view thereof;
FIG. 5 is a left side view thereof;
FIG. 6 is a top view thereof; and,
FIG. 7 is a bottom view thereof.
Our design includes a mirror image of the embodiment depicted in FIGS. 1-7.

1 Claim, 7 Drawing Sheets



(56)

References Cited

U.S. PATENT DOCUMENTS

D691,531 S * 10/2013 Rupar D12/187
D710,775 S * 8/2014 Minamisawa D12/187
D711,301 S * 8/2014 Majdandzic D12/187
D718,689 S * 12/2014 Blanski D12/187
D724,510 S * 3/2015 McMahan D12/187
D746,196 S * 12/2015 Di Buduo D12/187
D761,172 S * 7/2016 Kim D12/187
D783,456 S * 4/2017 Kim D12/91
D783,478 S * 4/2017 Suzuki D12/187
D784,226 S * 4/2017 Cheng D12/187
D784,857 S * 4/2017 Ishii D12/91
D788,644 S * 6/2017 Mueller D12/91
2017/0028925 A1 * 2/2017 Yokoyama B60R 1/12

OTHER PUBLICATIONS

Netcarshow.com, URL: http://www.netcarshow.com/lexus/2011-lfa/800x600/wallpaper_47.htm; Model: Lexus LFA; Mfg.: Lexus; available on at least Jun. 2, 2015.

Supercars.net, URL: <http://www.supercars.net/Pics?viewPic=y&source=carGal&carID=6151&pgID=1&pID=1074764>; Model: BMW i8; Mfg.: BMW; available on at least Jun. 2, 2015.

* cited by examiner

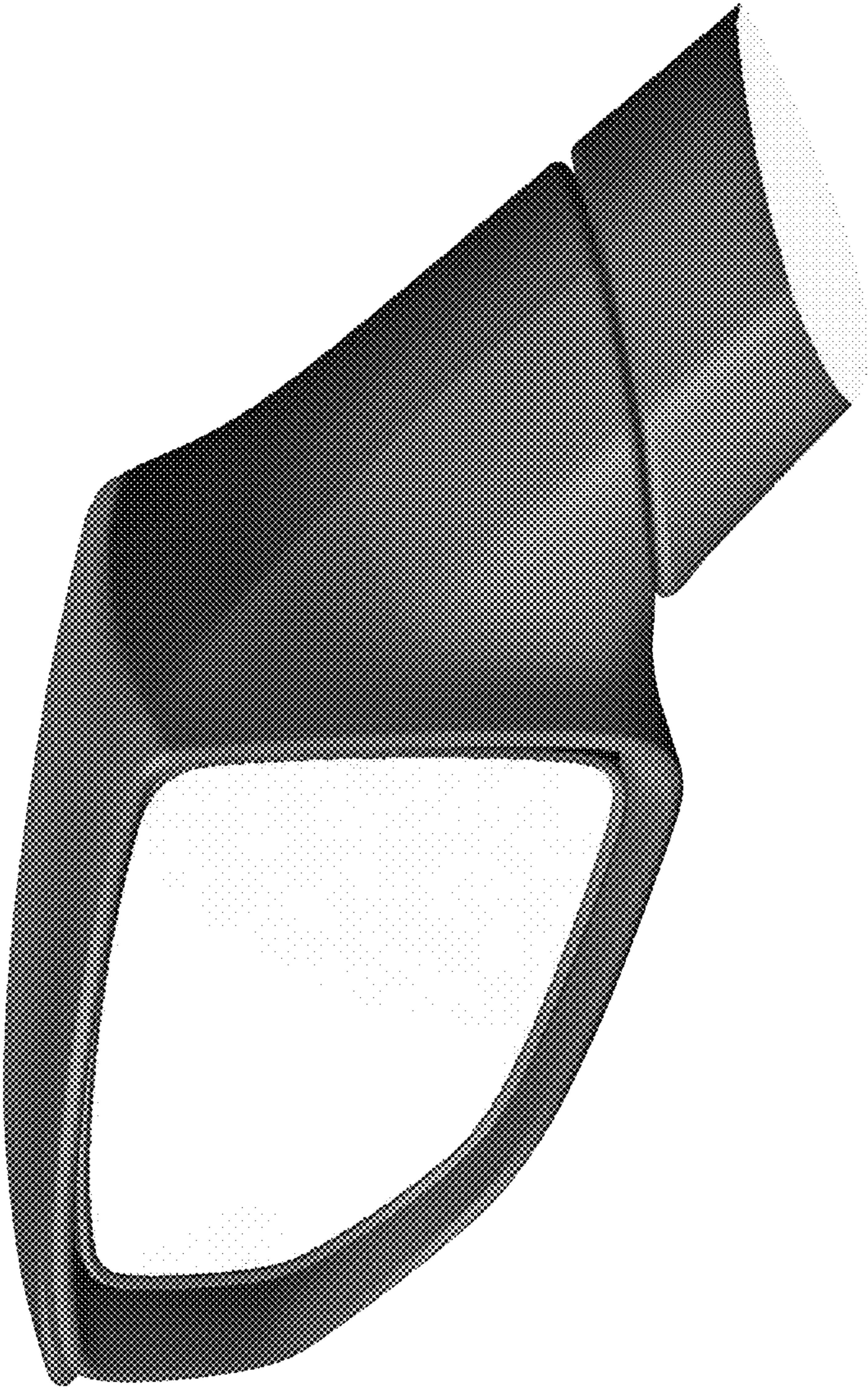


FIG. 1

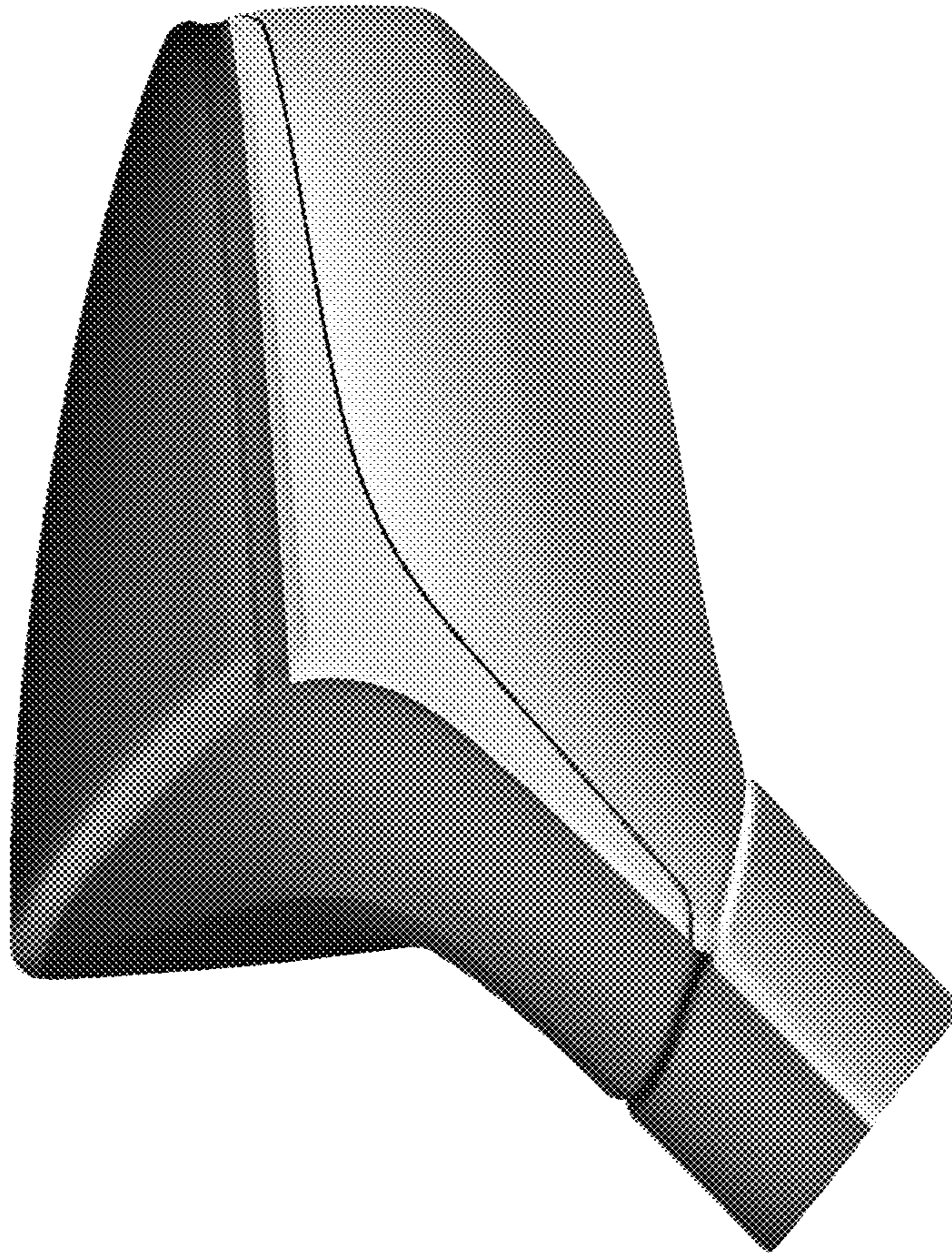


FIG. 2



FIG. 3



FIG. 4



FIG. 5



FIG. 6

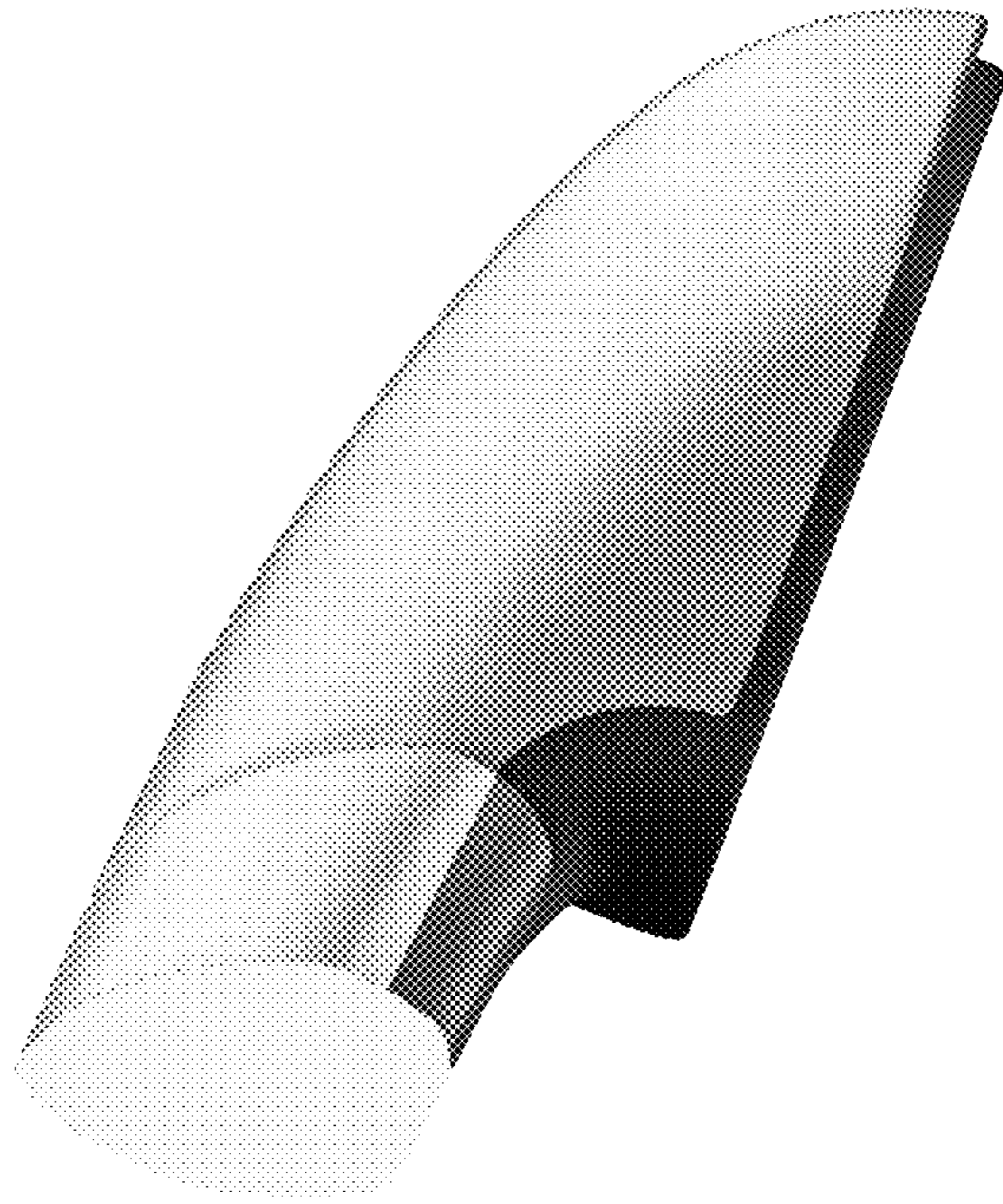


FIG. 7

UNITED STATES PATENT AND TRADEMARK OFFICE
CERTIFICATE OF CORRECTION

PATENT NO. : D805,979 S
APPLICATION NO. : 29/561430
DATED : December 26, 2017
INVENTOR(S) : Yutaka Kubota et al.

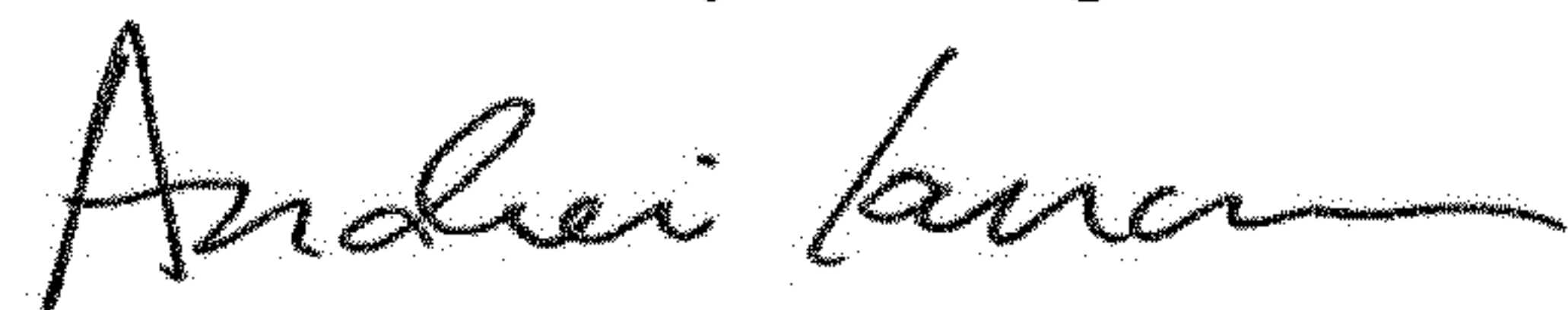
Page 1 of 2

It is certified that error appears in the above-identified patent and that said Letters Patent is hereby corrected as shown below:

In the Drawings

Please replace FIG. 7 with FIG. 7 as shown on the attached page.

Signed and Sealed this
Twentieth Day of August, 2019



Andrei Iancu
Director of the United States Patent and Trademark Office



FIG. 7

UNITED STATES PATENT AND TRADEMARK OFFICE
CERTIFICATE OF CORRECTION

PATENT NO. : D805,979 S
APPLICATION NO. : 29/561430
DATED : December 26, 2017
INVENTOR(S) : Yutaka Kubota et al.

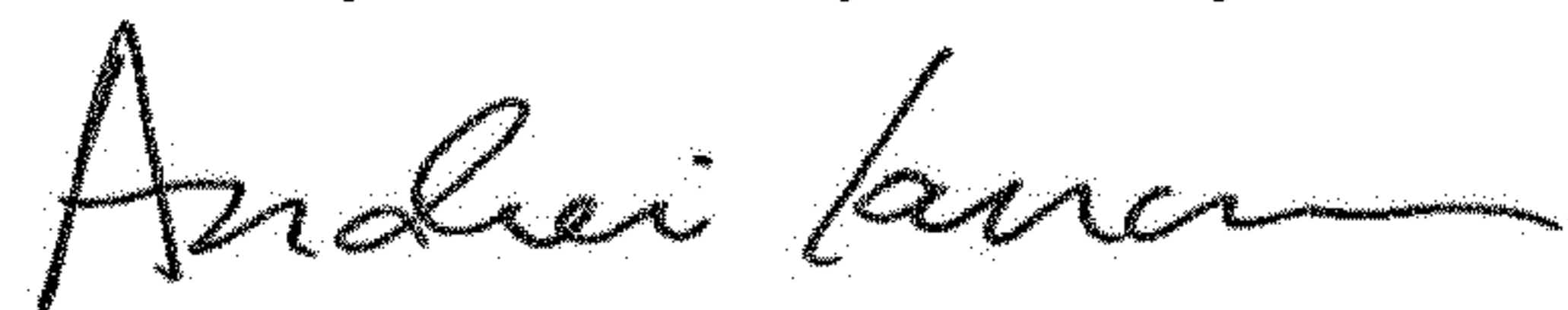
Page 1 of 4

It is certified that error appears in the above-identified patent and that said Letters Patent is hereby corrected as shown below:

In the Drawings

Please replace Figs. 4, 5, and 6 with the attached replacement photographic sheets for Figs. 4, 5, and 6.

Signed and Sealed this
Twenty-sixth Day of May, 2020



Andrei Iancu
Director of the United States Patent and Trademark Office



FIG. 4



FIG. 5



FIG. 6