



US00D805975S

(12) **United States Design Patent**
Dharmawan

(10) **Patent No.:** **US D805,975 S**

(45) **Date of Patent:** **** Dec. 26, 2017**

(54) **AUTOMOBILE LOUVER**

(71) Applicant: **Vincent Dharmawan**, Philadelphia, PA
(US)

(72) Inventor: **Vincent Dharmawan**, Philadelphia, PA
(US)

(73) Assignee: **Turn 5, Inc.**, Malvern, PA (US)

(**) Term: **15 Years**

(21) Appl. No.: **29/587,263**

(22) Filed: **Dec. 12, 2016**

(51) **LOC (10) Cl.** **12-16**

(52) **U.S. Cl.**
USPC **D12/181**

(58) **Field of Classification Search**
USPC D12/163-165, 167, 169, 172, 181-183,
D12/196, 400, 190; D25/119, 121
CPC B62D 33/0273; B62D 25/087; B62D
35/007; B62D 35/001; B60J 5/101; B60J
5/10; B60J 5/107; B60J 1/02; B60J 1/04;
B60J 10/02

See application file for complete search history.

(56) **References Cited**

U.S. PATENT DOCUMENTS

4,006,933 A * 2/1977 Simpson B60J 1/2088
296/152
D245,689 S * 9/1977 Simpson D12/181

D289,278 S * 4/1987 Kuykendall D12/191
D530,654 S * 10/2006 Gaines D12/181
D568,797 S * 5/2008 Elwell D12/181
D669,407 S * 10/2012 Varga D12/196
D672,705 S * 12/2012 Kennedy D12/412
D696,173 S * 12/2013 Hatter D12/196
D710,284 S * 8/2014 Larson D12/196
D758,257 S * 6/2016 Platto D12/163

* cited by examiner

Primary Examiner — Ruth McInroy

(74) *Attorney, Agent, or Firm* — Spruce Law Group, LLC

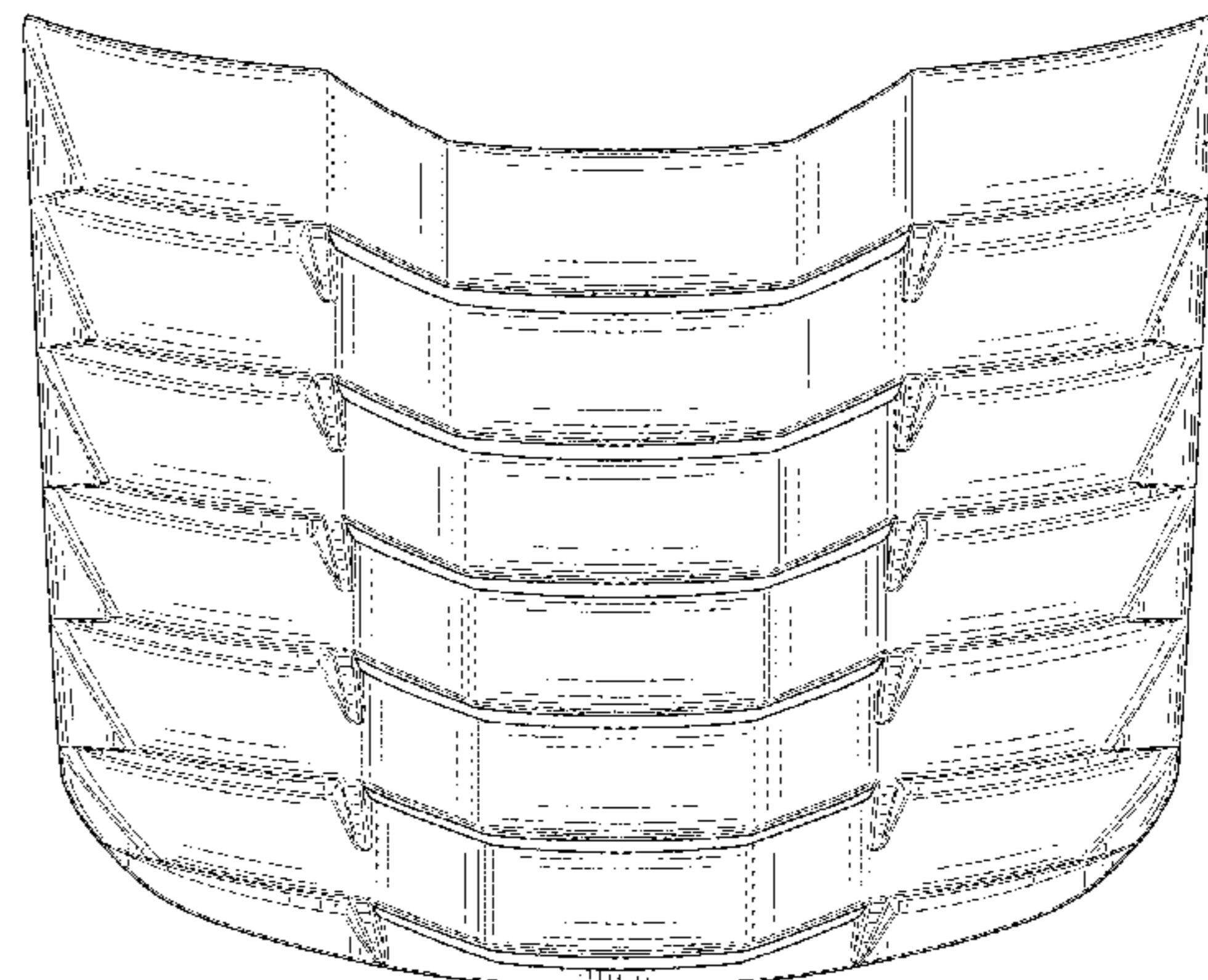
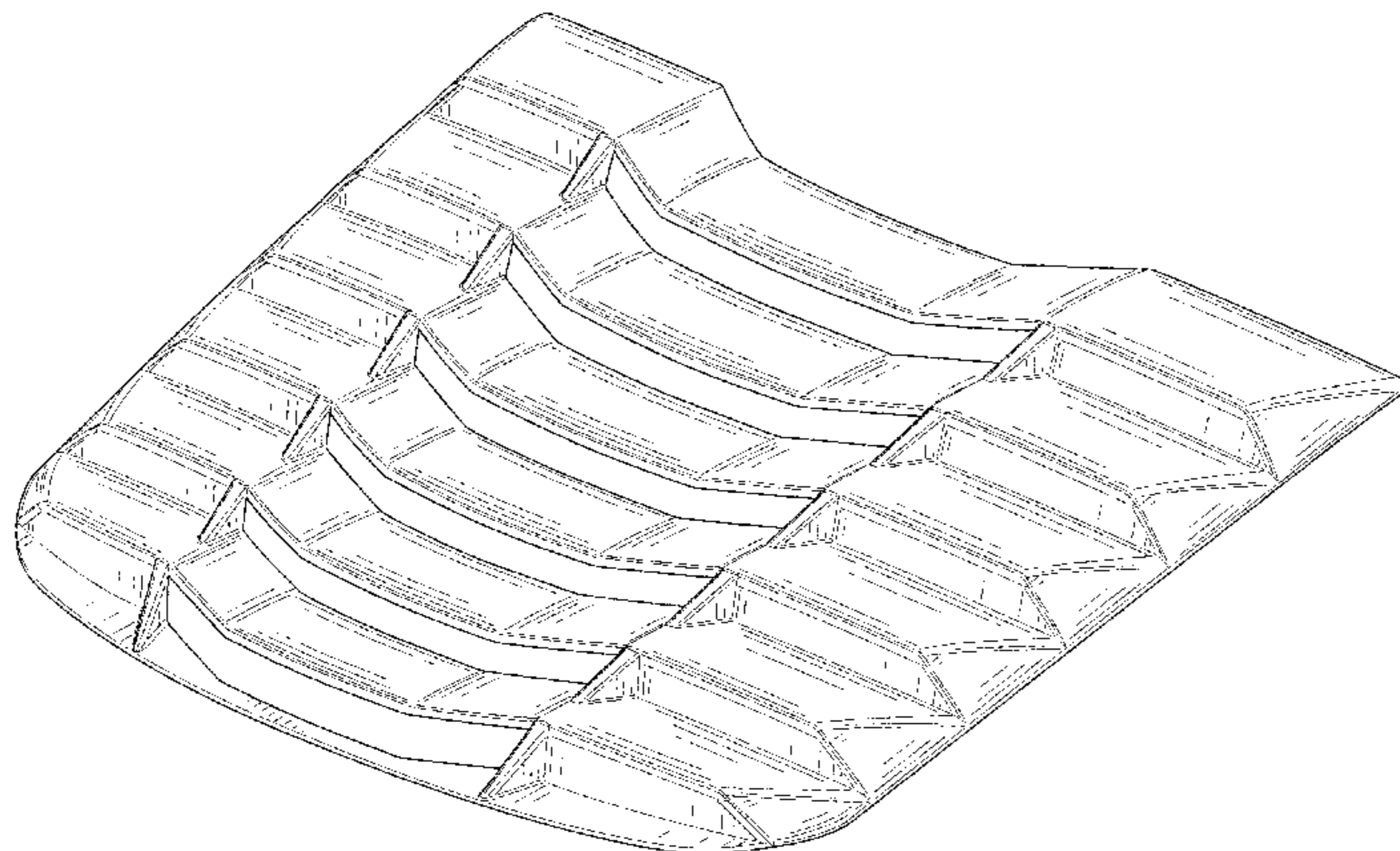
(57) **CLAIM**

I claim the ornamental design for an automobile louver, as shown and described.

DESCRIPTION

FIG. 1 is a front perspective view of an automobile louver showing my new design;
FIG. 2 is a top view thereof;
FIG. 3 is a bottom view thereof;
FIG. 4 is a left side view thereof;
FIG. 5 is a right side view thereof;
FIG. 6 is a front view thereof; and,
FIG. 7 is a rear view thereof.
The broken lines illustrate the design's environment and form no part of the claimed design.

1 Claim, 5 Drawing Sheets



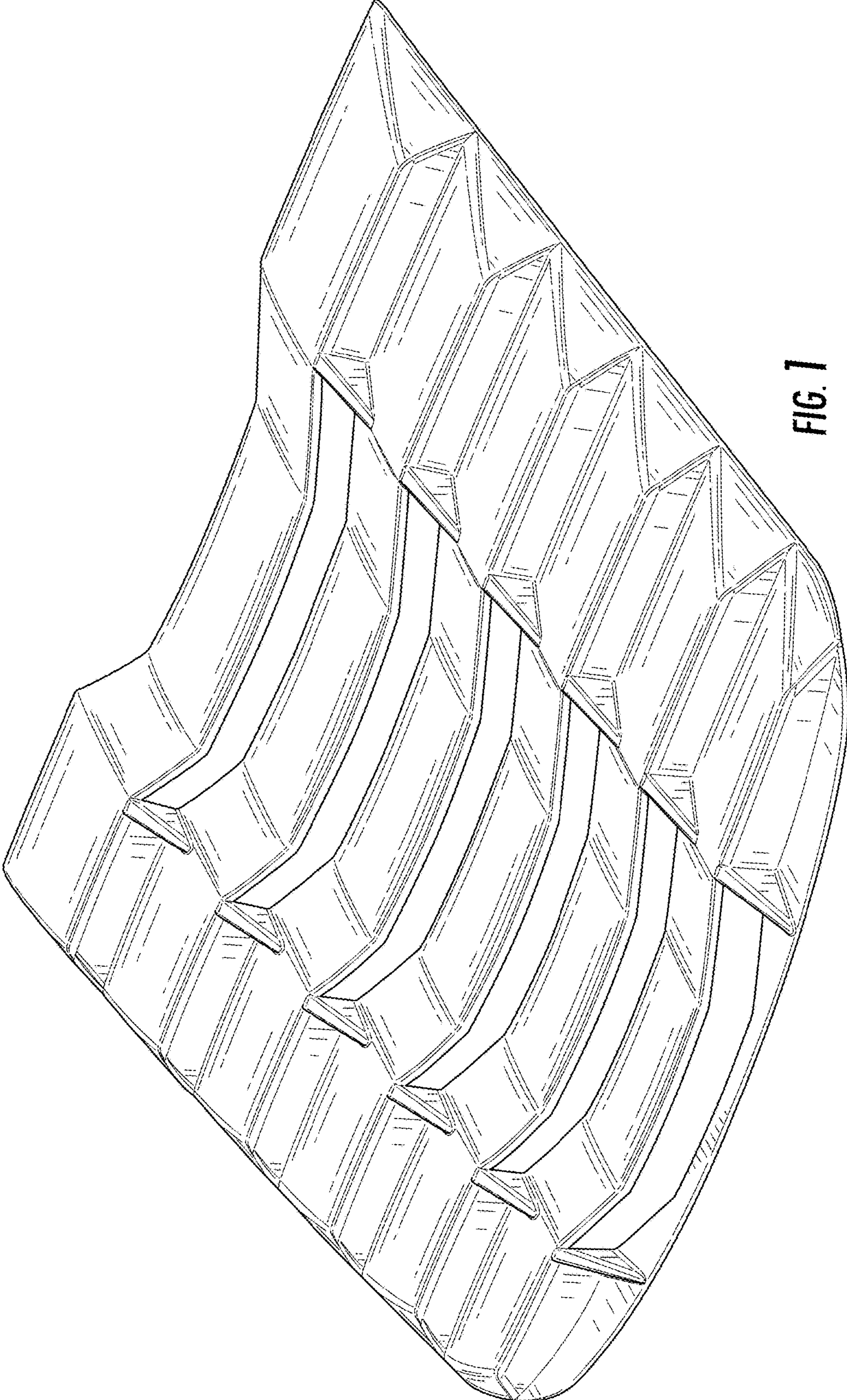


FIG. 1

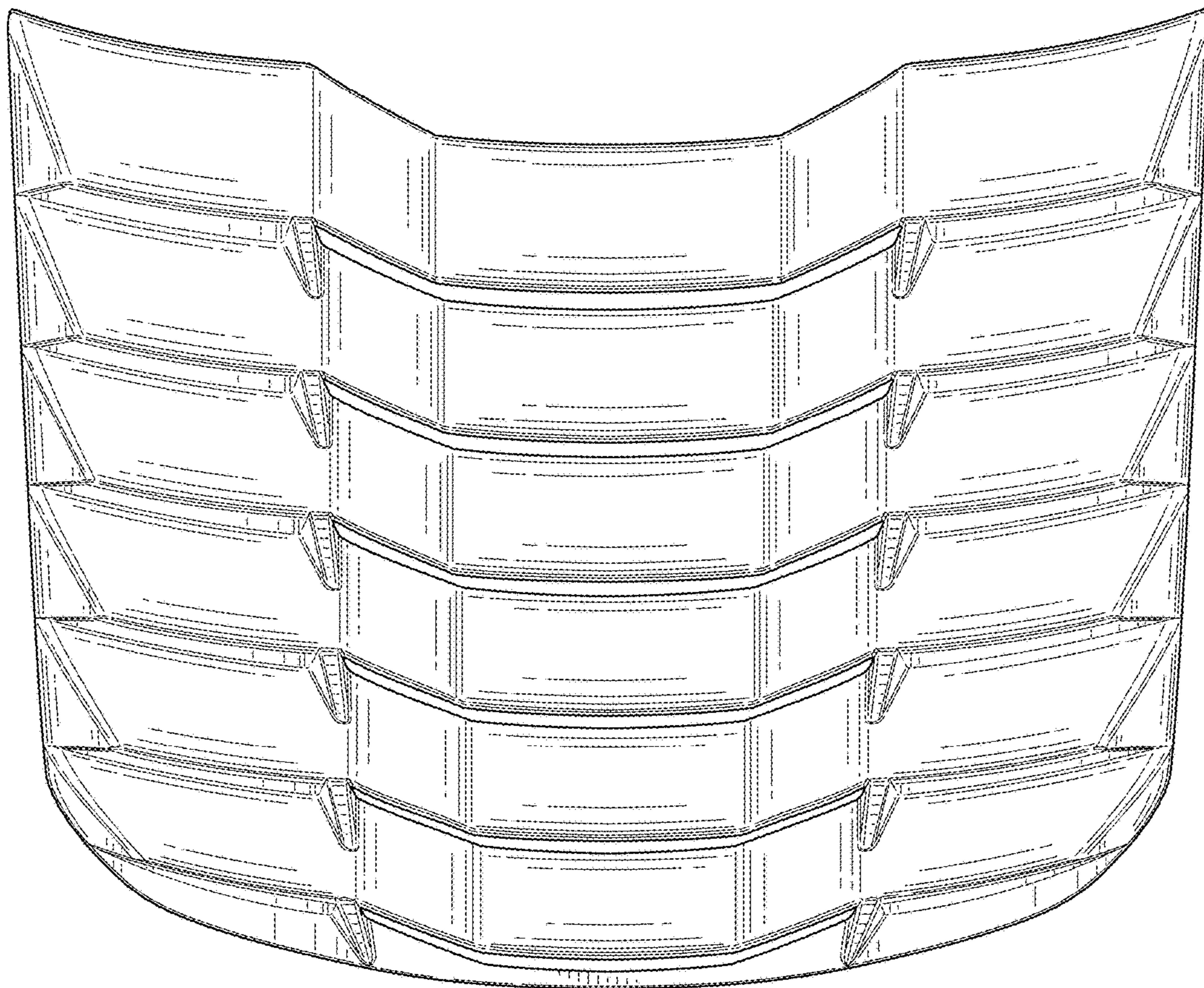


FIG. 2

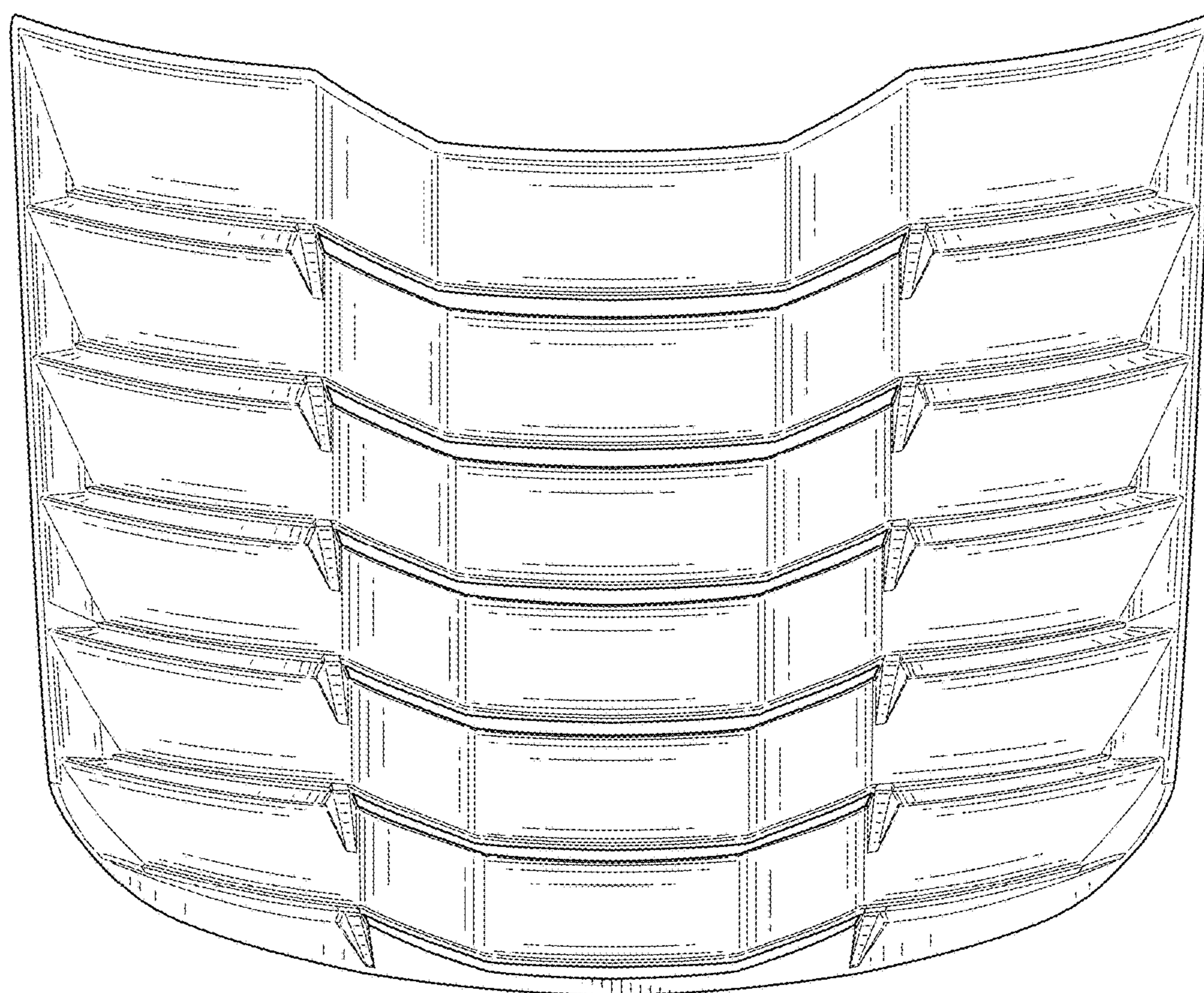


FIG. 3

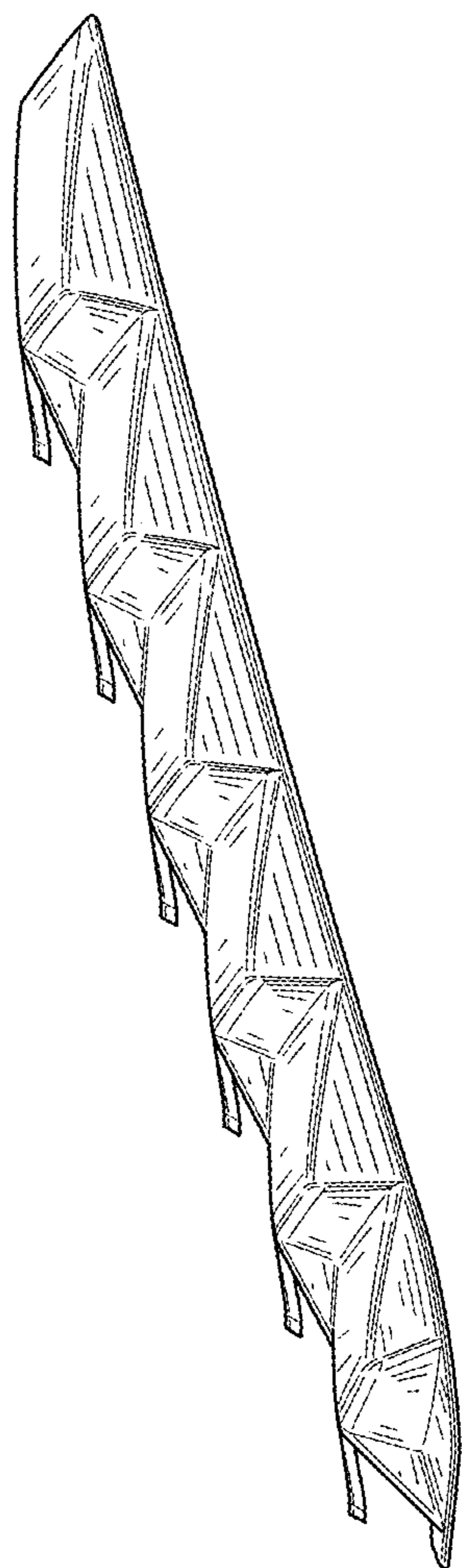


FIG. 4

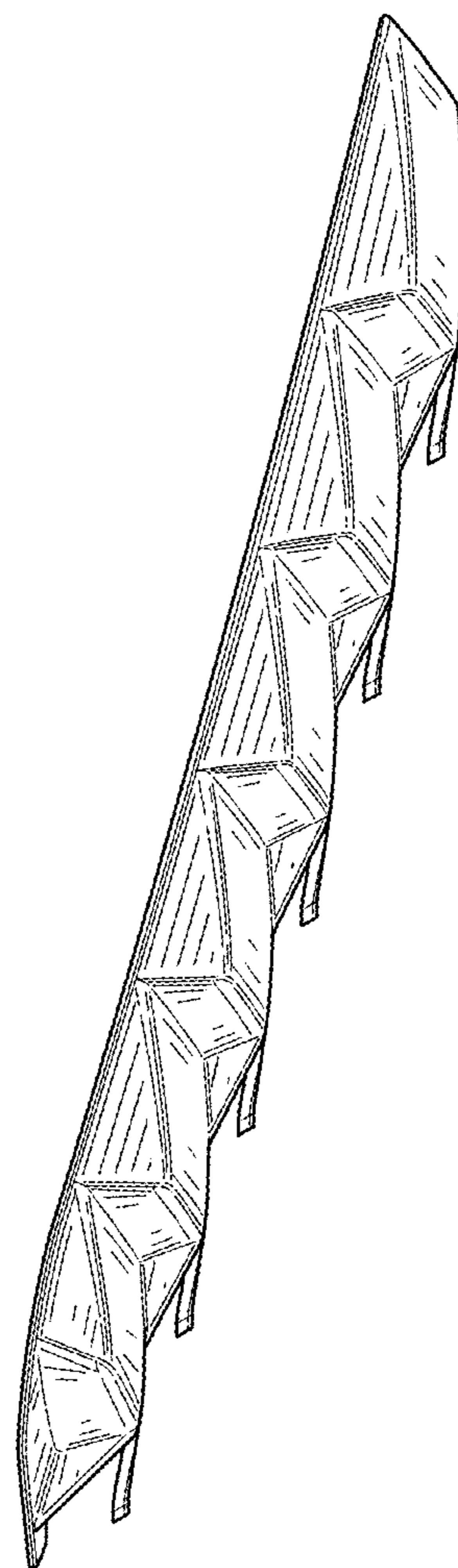


FIG. 5

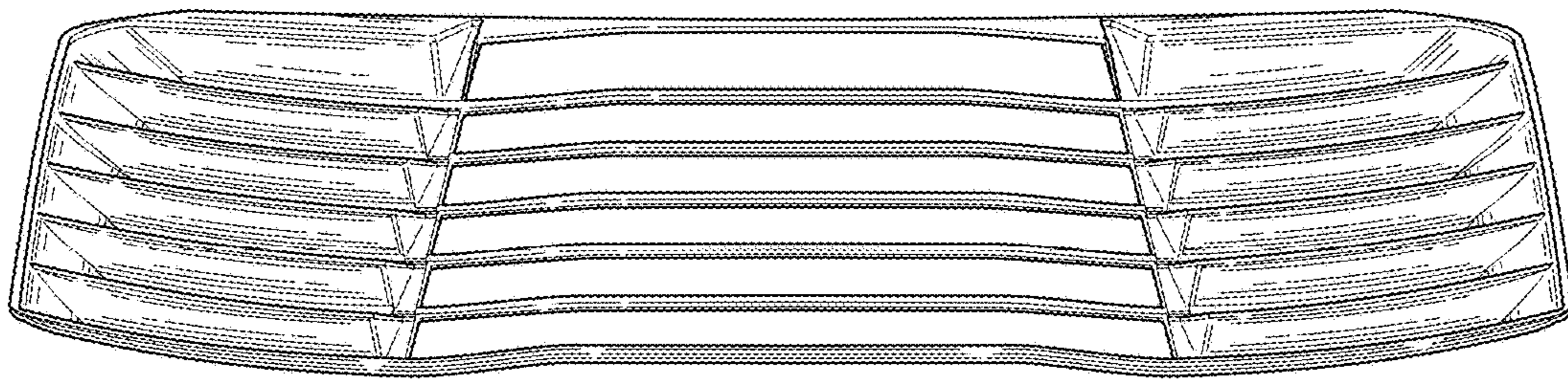


FIG. 6

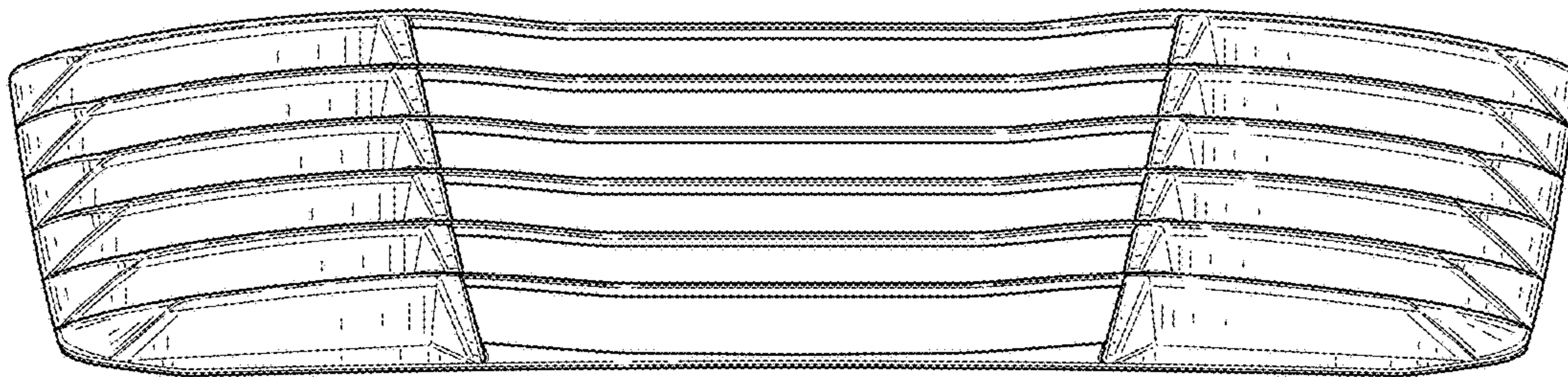


FIG. 7