



US00D805969S

(12) **United States Design Patent** (10) **Patent No.:** **US D805,969 S**
Villamizar (45) **Date of Patent:** **** Dec. 26, 2017**

(54) **TRUCK BUMPER**

(71) Applicant: **Diego J Villamizar**, Medley, FL (US)

(72) Inventor: **Diego J Villamizar**, Medley, FL (US)

(**) Term: **15 Years**

(21) Appl. No.: **29/572,221**

(22) Filed: **Jul. 26, 2016**

(51) **LOC (10) Cl.** **12-16**

(52) **U.S. Cl.**
USPC **D12/169**

(58) **Field of Classification Search**

USPC D12/86, 91, 93, 163, 164, 166, 167, 169,
D12/171, 172, 173, 190, 216
CPC B60R 9/06; B60R 19/02; B60R 19/04;
B60R 19/18; B60R 19/44; B60R 19/48;
B62D 35/02; B62D 39/00; B62D 65/16;
B62D 21/12; B29C 45/16
See application file for complete search history.

(56) **References Cited**

U.S. PATENT DOCUMENTS

- 4,130,312 A * 12/1978 Cooper, Sr. B60R 19/04
293/153
- 4,671,550 A * 6/1987 Molnar B60R 19/18
293/102
- 5,308,134 A * 5/1994 Stanesic B60J 1/2005
296/180.1
- D364,371 S * 11/1995 Ray D12/169
- D381,946 S * 8/1997 Delashaw D12/167
- D391,212 S * 2/1998 Meryman D12/169
- D419,506 S * 1/2000 Texier D12/169
- 6,230,832 B1 * 5/2001 von Mayenburg B60K 11/08
180/68.1
- 6,250,664 B1 * 6/2001 Tetrick B60D 1/249
280/491.5
- 6,551,540 B1 * 4/2003 Porter B29C 45/1635
264/255
- D530,653 S * 10/2006 Angelo D12/169

- D545,248 S * 6/2007 Angelo D12/169
- D563,840 S * 3/2008 Simons D12/169
- D565,484 S * 4/2008 Johnson D12/169
- D633,419 S * 3/2011 Peltola D12/169
- D653,999 S * 2/2012 Peltola D12/169
- D775,013 S * 12/2016 Bennett D12/169
- 2004/0160788 A1 * 8/2004 Wagner B60Q 1/32
362/565
- 2010/0181786 A1 * 7/2010 Tejler B60D 1/02
293/130
- 2013/0069385 A1 * 3/2013 Cunagin B62D 21/12
296/1.07
- 2015/0084369 A1 * 3/2015 Niemi B62D 35/02
296/180.1
- 2016/0114748 A1 * 4/2016 Hare B60R 19/023
293/106
- 2016/0200272 A1 * 7/2016 Frederick B60R 19/18
293/120
- 2016/0280164 A1 * 9/2016 Hammer B60R 19/18
- 2016/0297388 A1 * 10/2016 Hammer B60R 19/34
- 2017/0203708 A1 * 7/2017 Jaradi B60R 19/18

(Continued)

Primary Examiner — Susan Bennett Hattan
Assistant Examiner — Suzanne E Tisdell
(74) *Attorney, Agent, or Firm* — Ruben Alcoba, Esq.

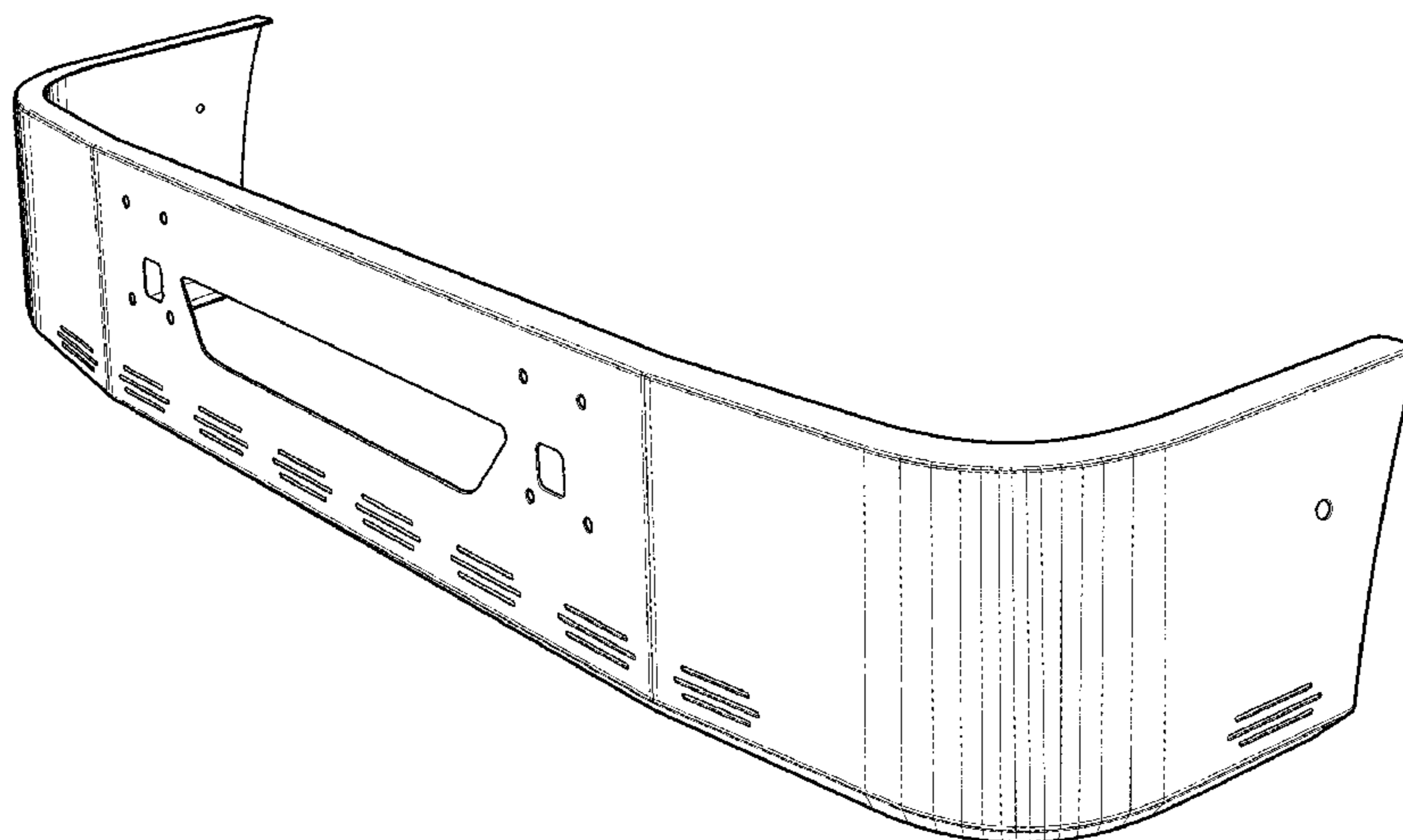
(57) **CLAIM**

The ornamental design for a truck bumper, as shown and described.

DESCRIPTION

FIG. 1 is a perspective view of a truck bumper;
FIG. 2 is a front view of the truck bumper;
FIG. 3 is a rear view of the truck bumper;
FIG. 4 is a left side view of the truck bumper;
FIG. 5 is a right side view of the truck bumper;
FIG. 6 is a top view of the truck bumper; and,
FIG. 7 is a bottom view of the truck bumper.

1 Claim, 4 Drawing Sheets



(56)

References Cited

U.S. PATENT DOCUMENTS

2017/0233010 A1* 8/2017 Sytsma B60K 11/08
296/187.09

* cited by examiner

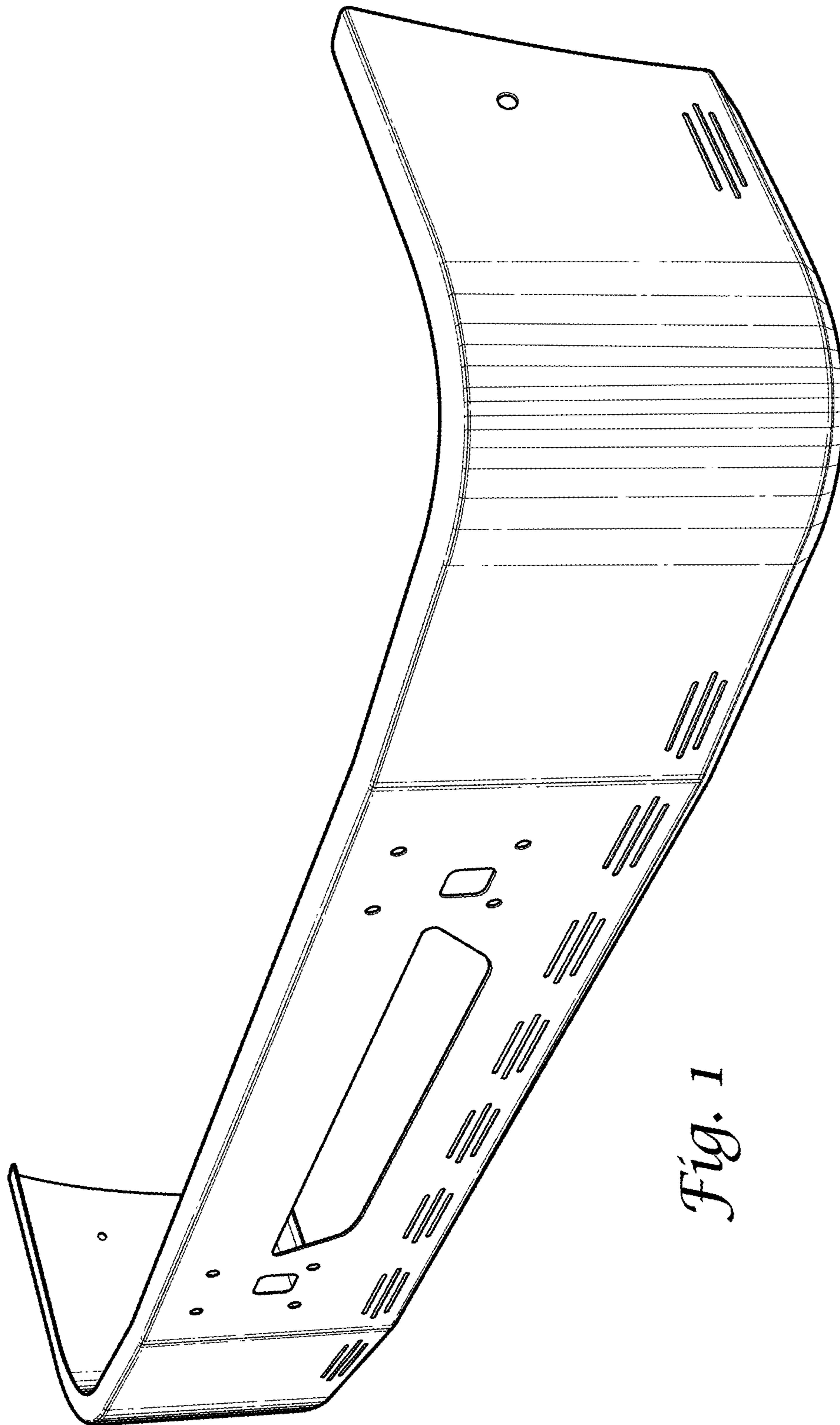


Fig. 1

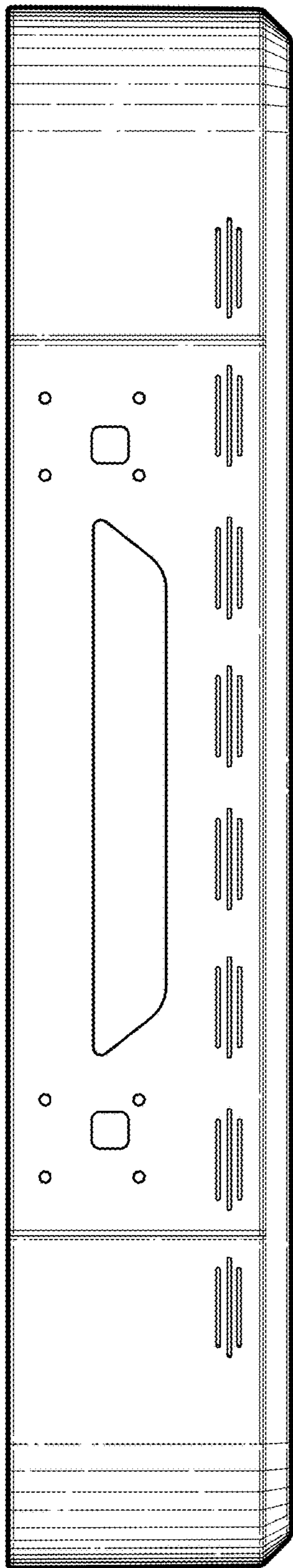


Fig. 2

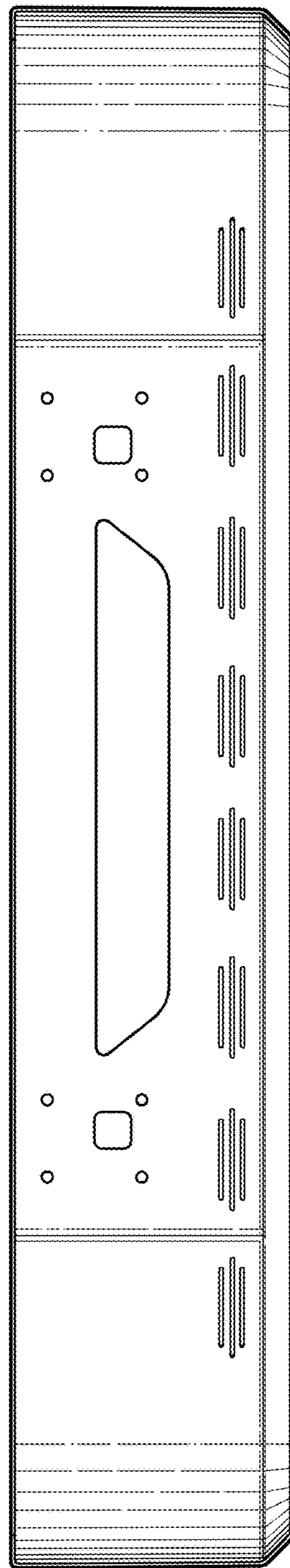


Fig. 3

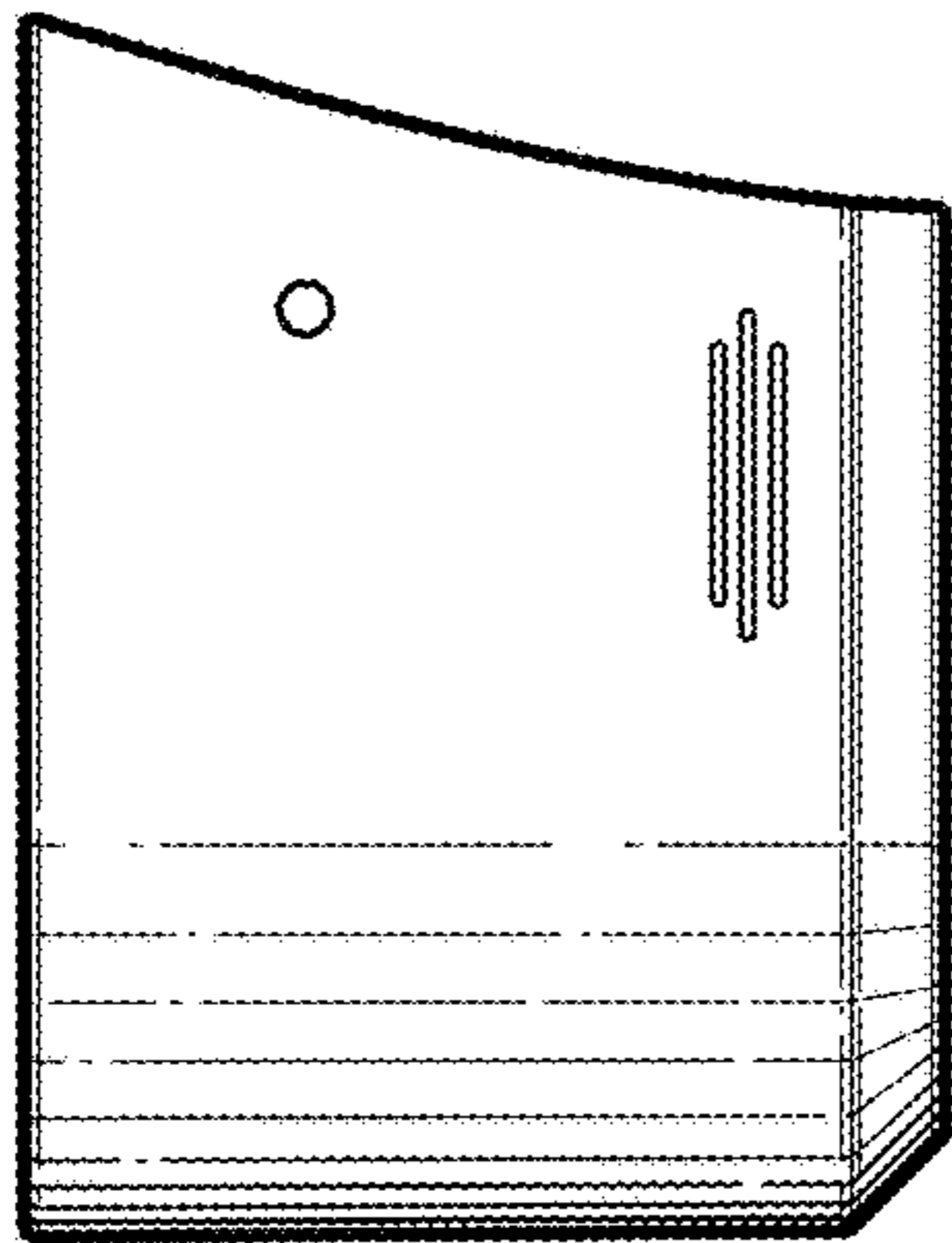


Fig. 4

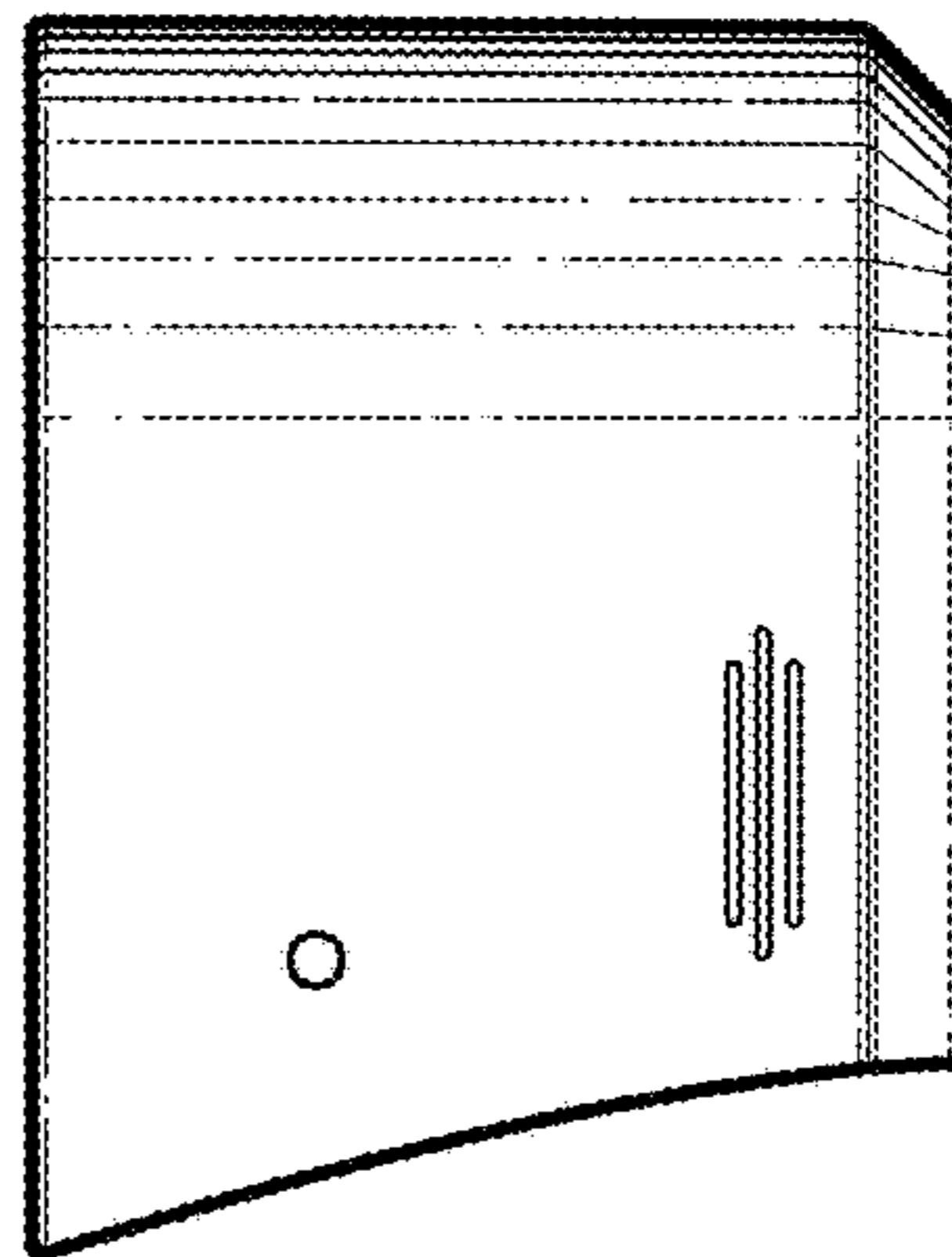


Fig. 5

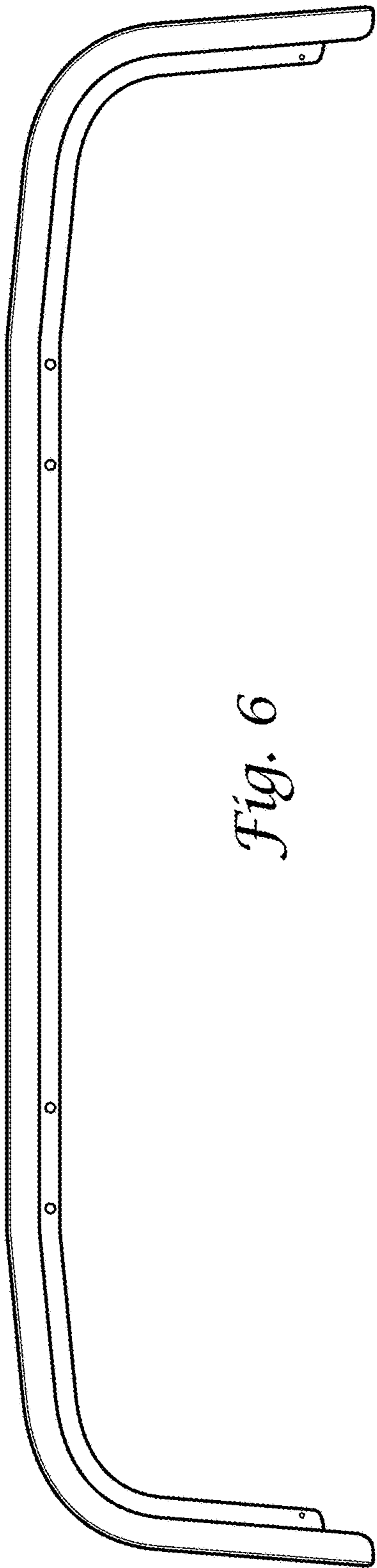


Fig. 6

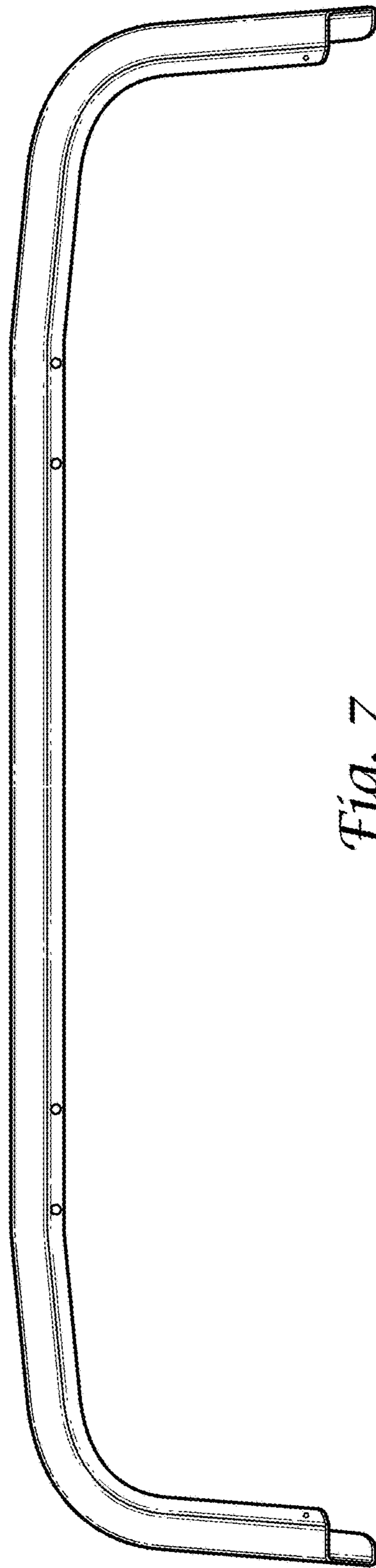


Fig. 7