



US00D805967S

(12) **United States Design Patent** (10) **Patent No.:** **US D805,967 S**
Platto et al. (45) **Date of Patent:** **** *Dec. 26, 2017**

(54) **VEHICLE FRONT UPPER GRILLE**
(71) Applicant: **Ford Motor Company**, Dearborn, MI (US)
(72) Inventors: **Gordon Platto**, Troy, MI (US); **Sean Tant**, Livonia, MI (US); **William K. Moore**, West Bloomfield, MI (US)
(73) Assignee: **Ford Motor Company**, Dearborn, MI (US)

D533,815 S 12/2006 Matei
D534,841 S * 1/2007 Matei D12/163
D560,567 S * 1/2008 Tant D12/163
D560,568 S * 1/2008 Tant D12/163
D561,655 S * 2/2008 Ellis D12/163
D561,656 S * 2/2008 Ellis D12/163
D570,258 S 6/2008 Smith
D580,310 S * 11/2008 Tant D12/163
D580,312 S 11/2008 Opfer
D585,796 S 2/2009 Nagasaka

(Continued)

(*) Notice: This patent is subject to a terminal disclaimer.
(**) Term: **15 Years**
(21) Appl. No.: **29/579,819**
(22) Filed: **Oct. 4, 2016**

OTHER PUBLICATIONS

“Introducing the All-New 2017 Super Duty—Preview Guide.” Ford Electronic Brochure., Sep. 24, 2015 [online], [retrieved on Jun. 20, 2016], Retrieved from the internet <URL: http://www.allstatetrucks.com/images/2017%20super%20duty%20preview_guide.pdf>.

Primary Examiner — Darlington Ly
(74) *Attorney, Agent, or Firm* — James Dottavio

Related U.S. Application Data

(63) Continuation of application No. 29/537,777, filed on Aug. 28, 2015, now Pat. No. Des. 775,002.
(51) **LOC (10) Cl.** **12-16**
(52) **U.S. Cl.**
USPC **D12/163**
(58) **Field of Classification Search**
USPC D12/86, 90, 91, 92, 163, 169, 196, 171, D12/216; D15/31
CPC . B60R 19/52; B60R 2019/525; B60K 11/085; B62D 25/084; H01Q 1/32
See application file for complete search history.

CLAIM

(57) The ornamental design for a vehicle front upper grille, as shown and described.

DESCRIPTION

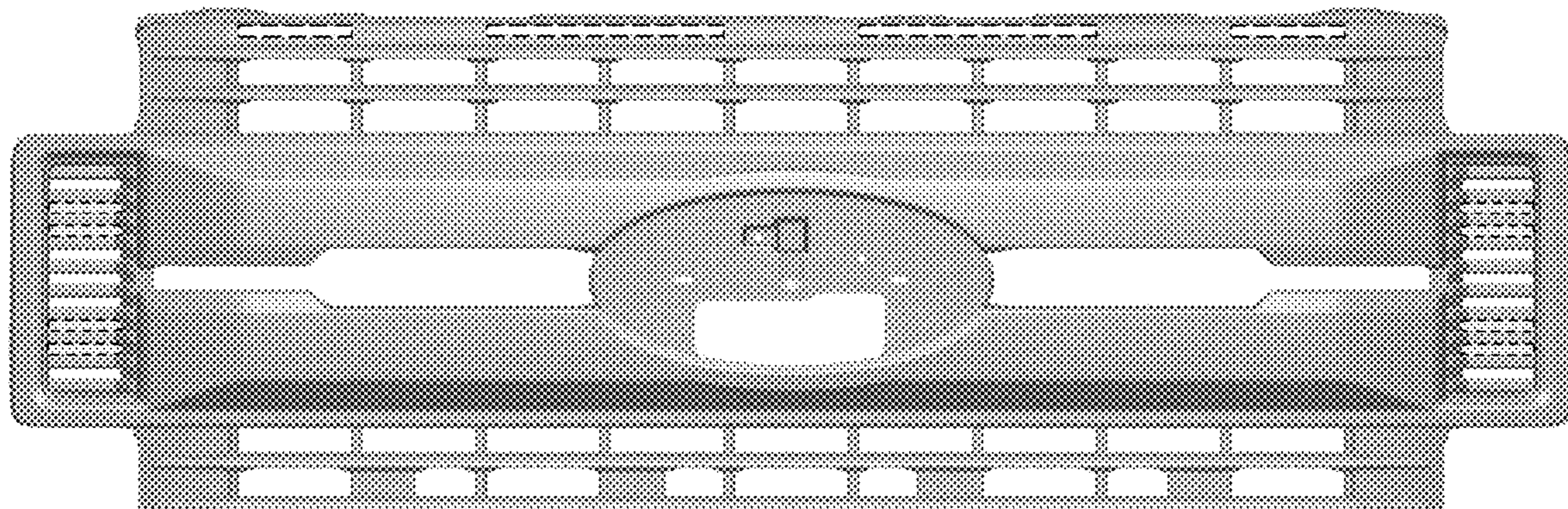
FIG. 1 is a top, front, and left side perspective view of a vehicle front upper grille showing our new design; FIG. 2 is a top, front, and right side perspective view thereof; FIG. 3 is a top, rear, and left side perspective view thereof; FIG. 4 is a front elevational view thereof; FIG. 5 is a rear elevational view thereof; FIG. 6 is a left side elevational view thereof; FIG. 7 is a right side elevational view thereof; FIG. 8 is a top plan view thereof; and, FIG. 9 a is bottom plan view thereof. The broken lines in the drawings illustrate portions of the vehicle front upper grille that form no part of the claimed design.

(56) **References Cited**

U.S. PATENT DOCUMENTS

D411,493 S * 6/1999 Davis, Jr. D12/163
D491,495 S * 6/2004 Metros D12/163
D495,979 S * 9/2004 Metros D12/163
D532,723 S * 11/2006 Schiavone D12/163
D533,485 S * 12/2006 Schiavone D12/163

1 Claim, 9 Drawing Sheets



(56)

References Cited

U.S. PATENT DOCUMENTS

D607,786	S *	1/2010	Golden	D12/163
D607,787	S *	1/2010	Golden	D12/163
D609,142	S *	2/2010	Roller	D12/163
D685,695	S *	7/2013	Platto	D12/163
D685,697	S *	7/2013	Platto	D12/163
D691,929	S *	10/2013	Betancourt	D12/163
D703,111	S *	4/2014	Platto	D12/163
D721,302	S *	1/2015	Platto	D12/163
D726,599	S *	4/2015	Grake	D12/163
D730,252	S *	5/2015	Platto	D12/163
D730,784	S *	6/2015	Platto	D12/163
D730,787	S	6/2015	Platto		
D754,572	S	4/2016	McMahan		
D766,783	S *	9/2016	Rodriguez	D12/163
D775,000	S *	12/2016	Platto	D12/163
D775,001	S *	12/2016	Platto	D12/163
D775,002	S *	12/2016	Platto	D12/163
2008/0073920	A1 *	3/2008	Knauer	B60K 11/085 293/115
2010/0015434	A1 *	1/2010	Iwata	C08G 18/6216 428/327
2011/0005851	A1 *	1/2011	Doroghazi	B60K 11/085 180/68.1

* cited by examiner

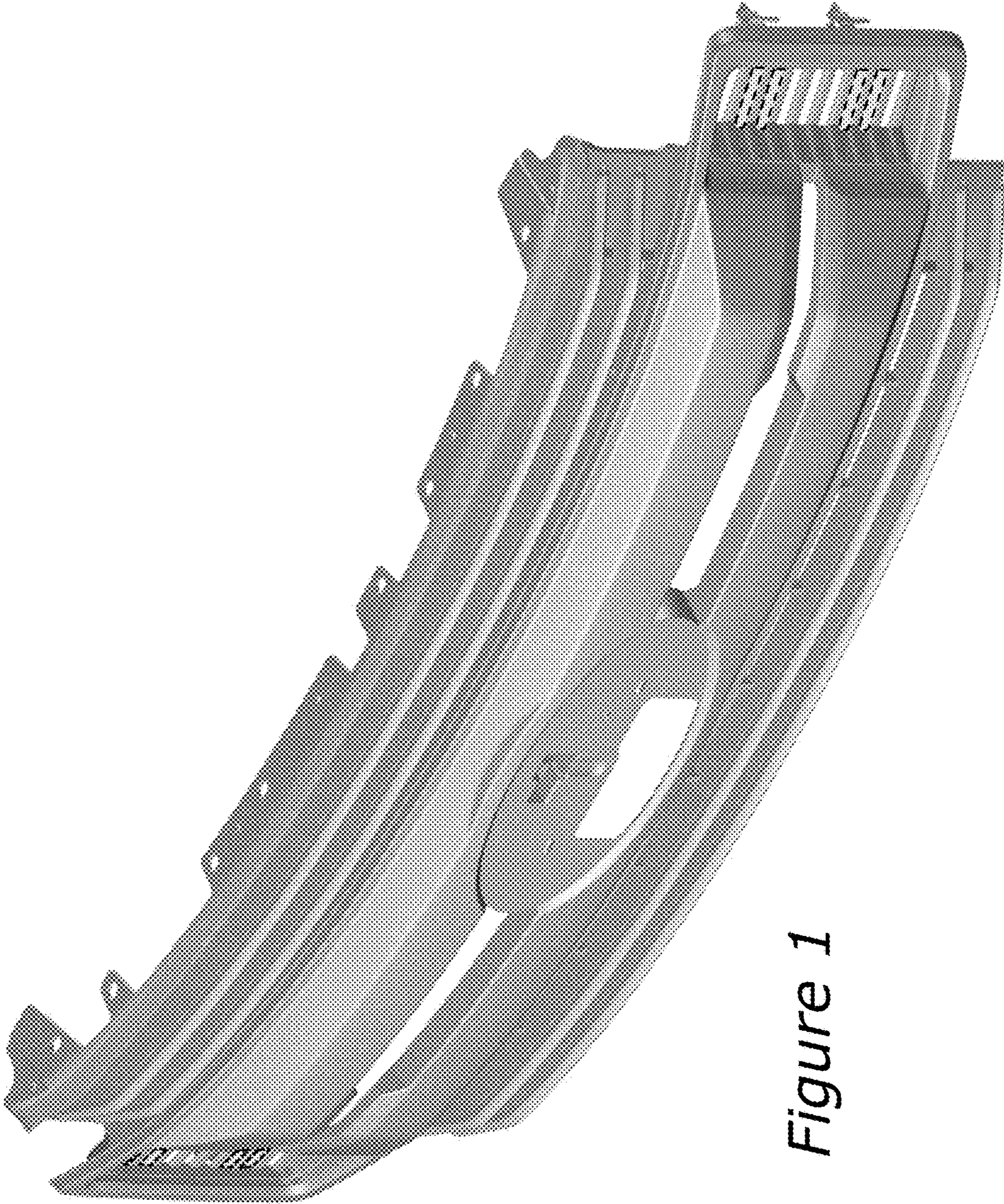


Figure 1

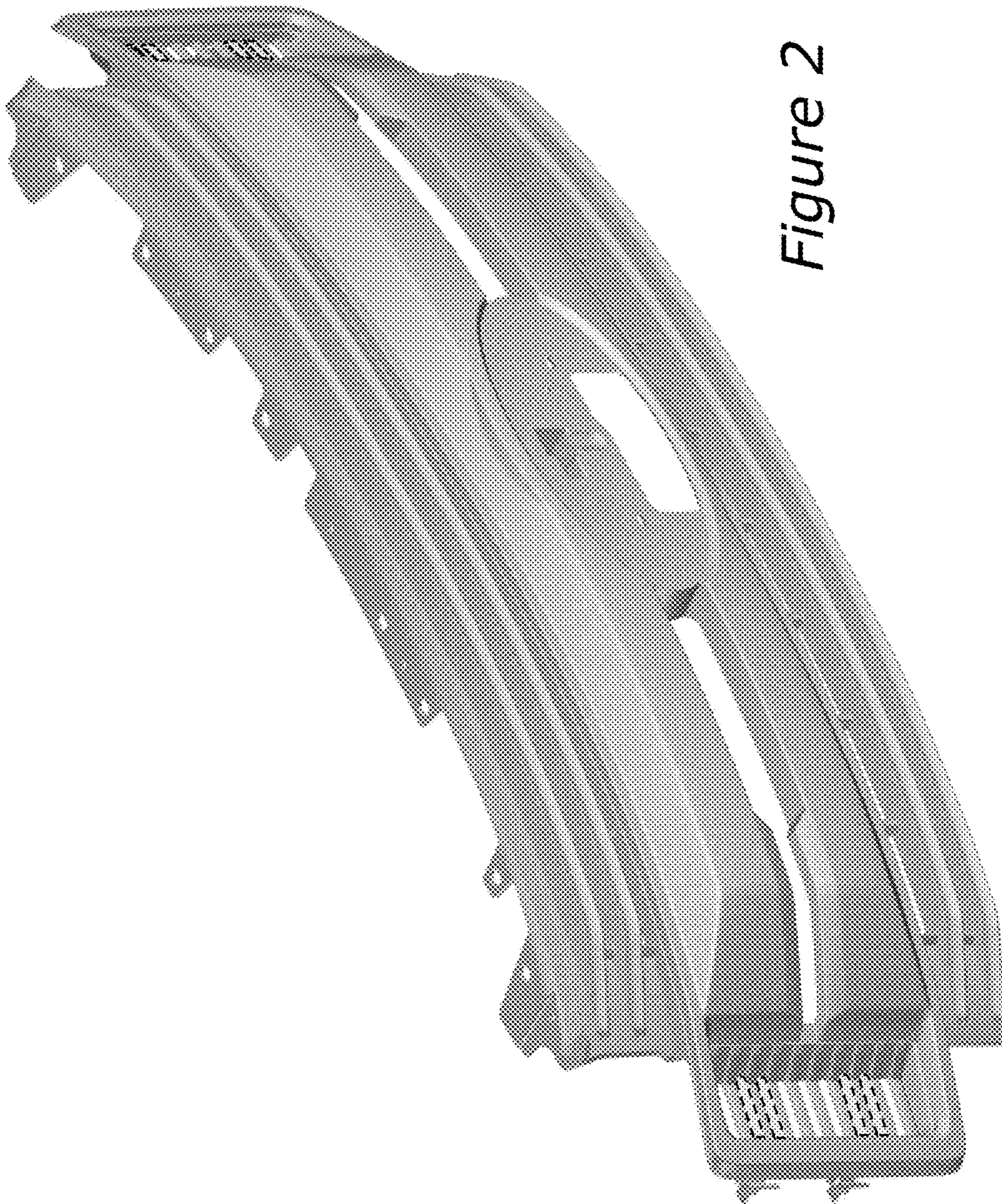


Figure 2

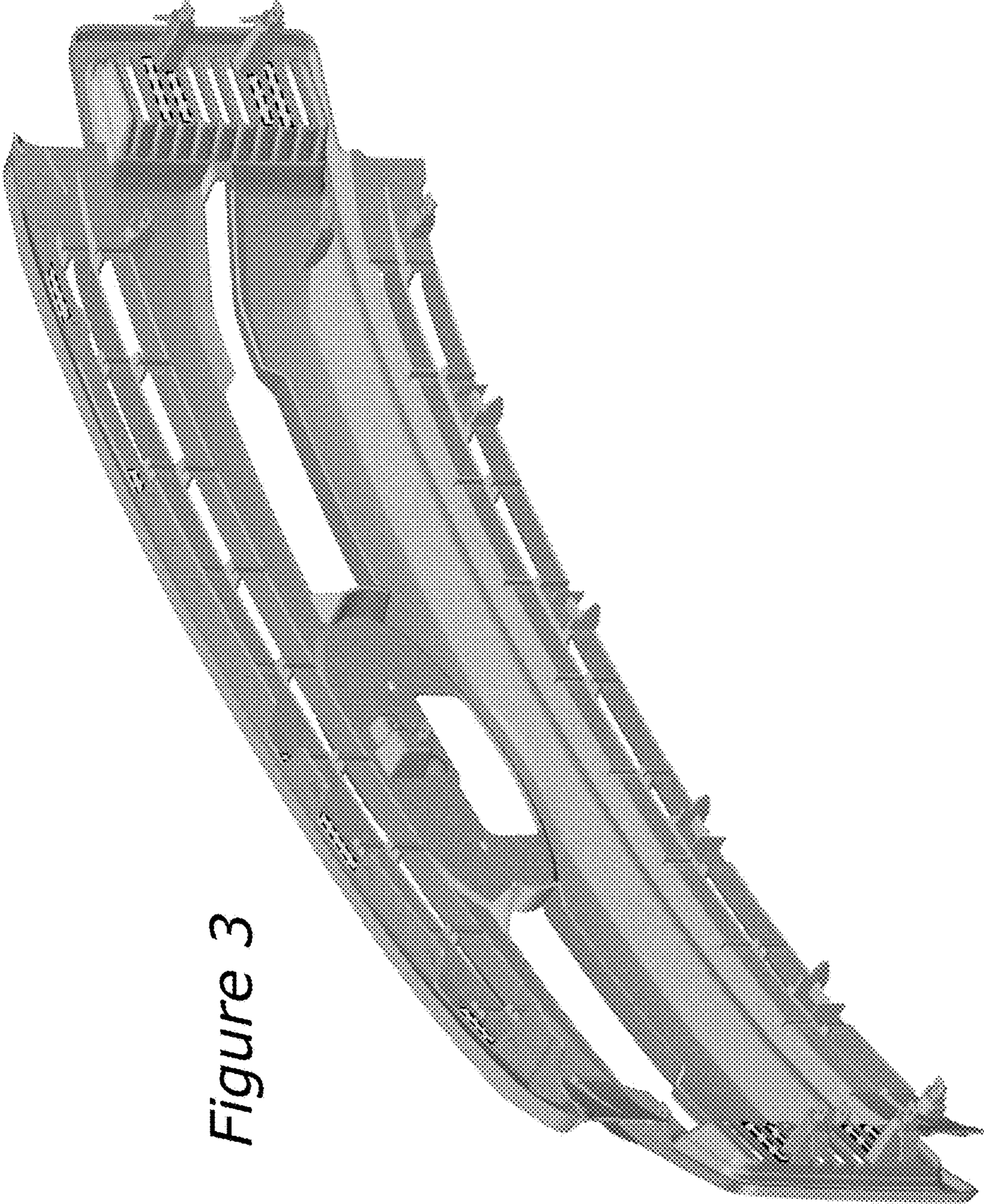


Figure 3

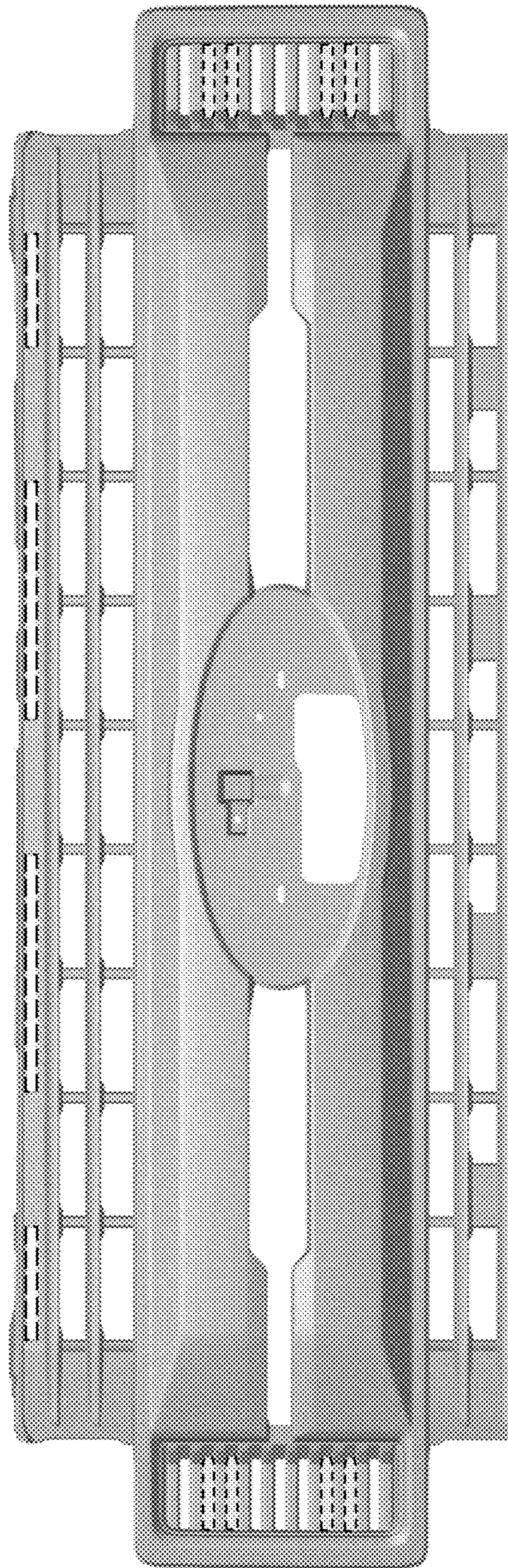


Figure 4

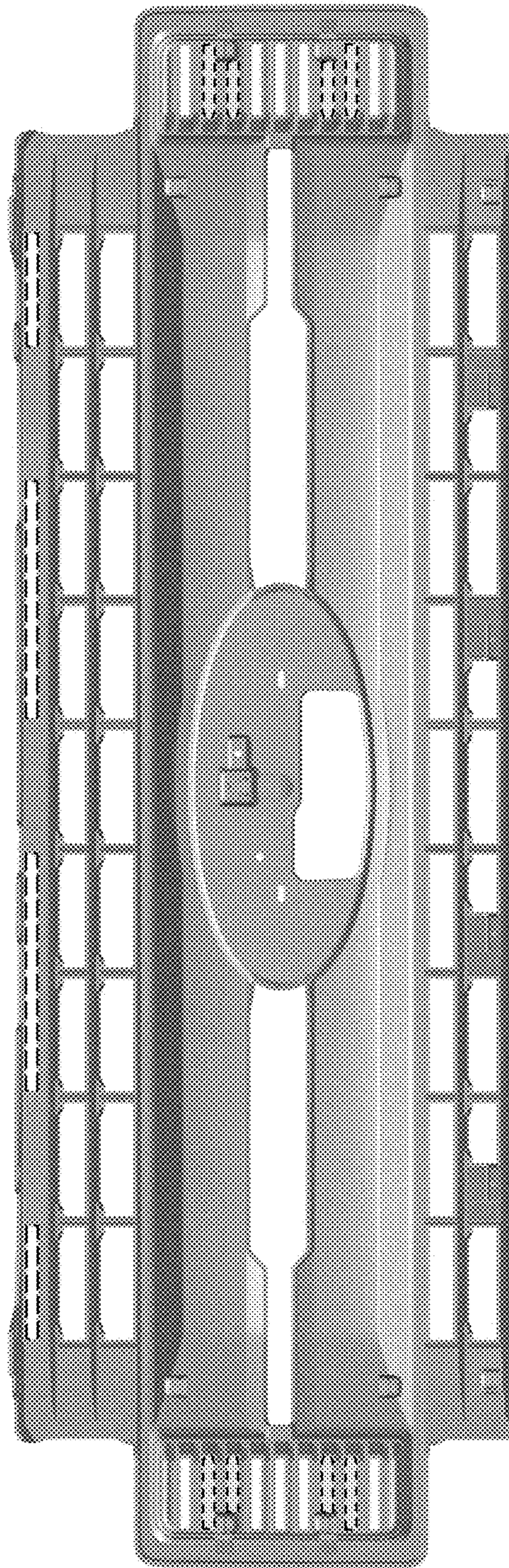


Figure 5

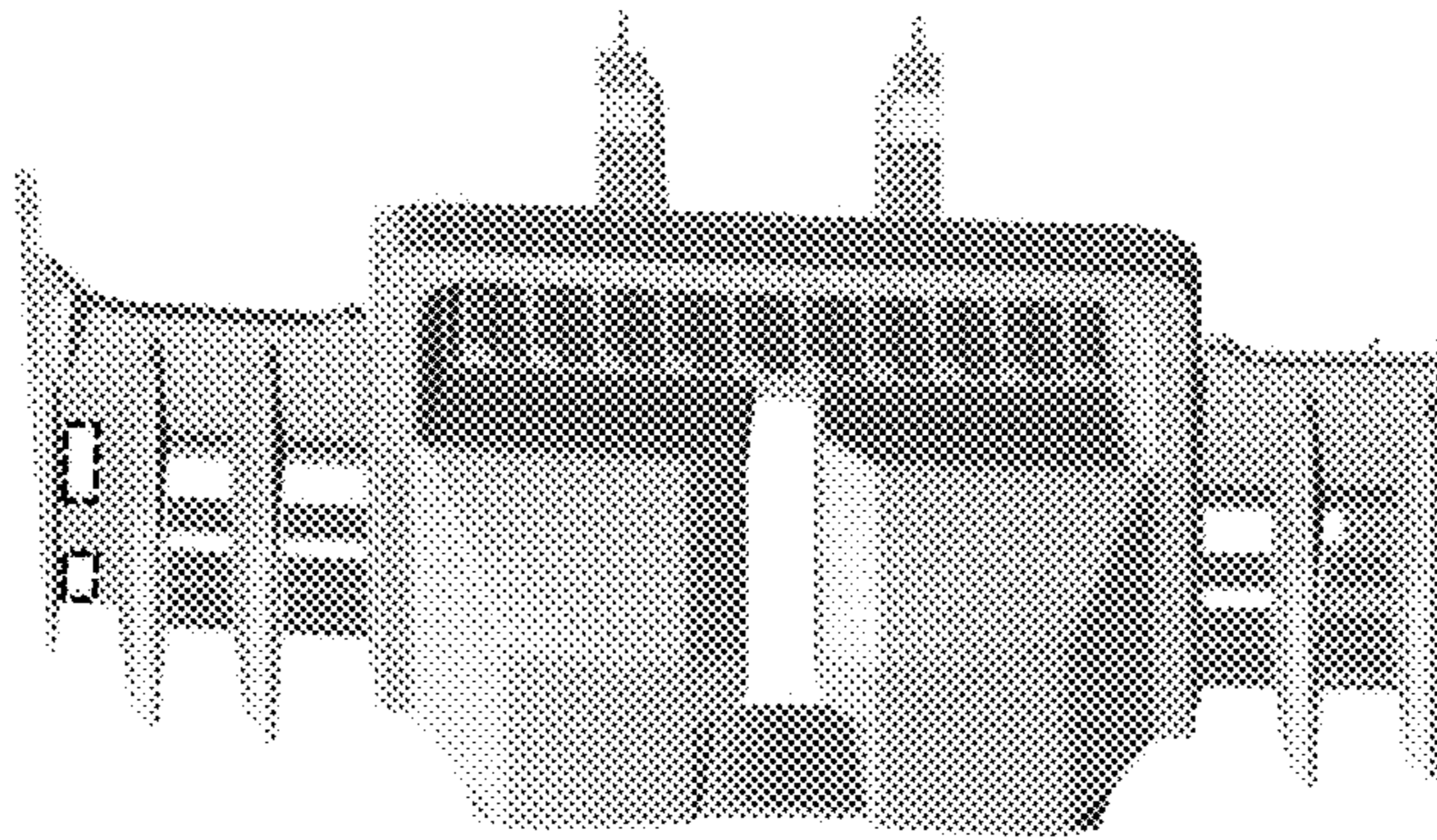


Figure 6

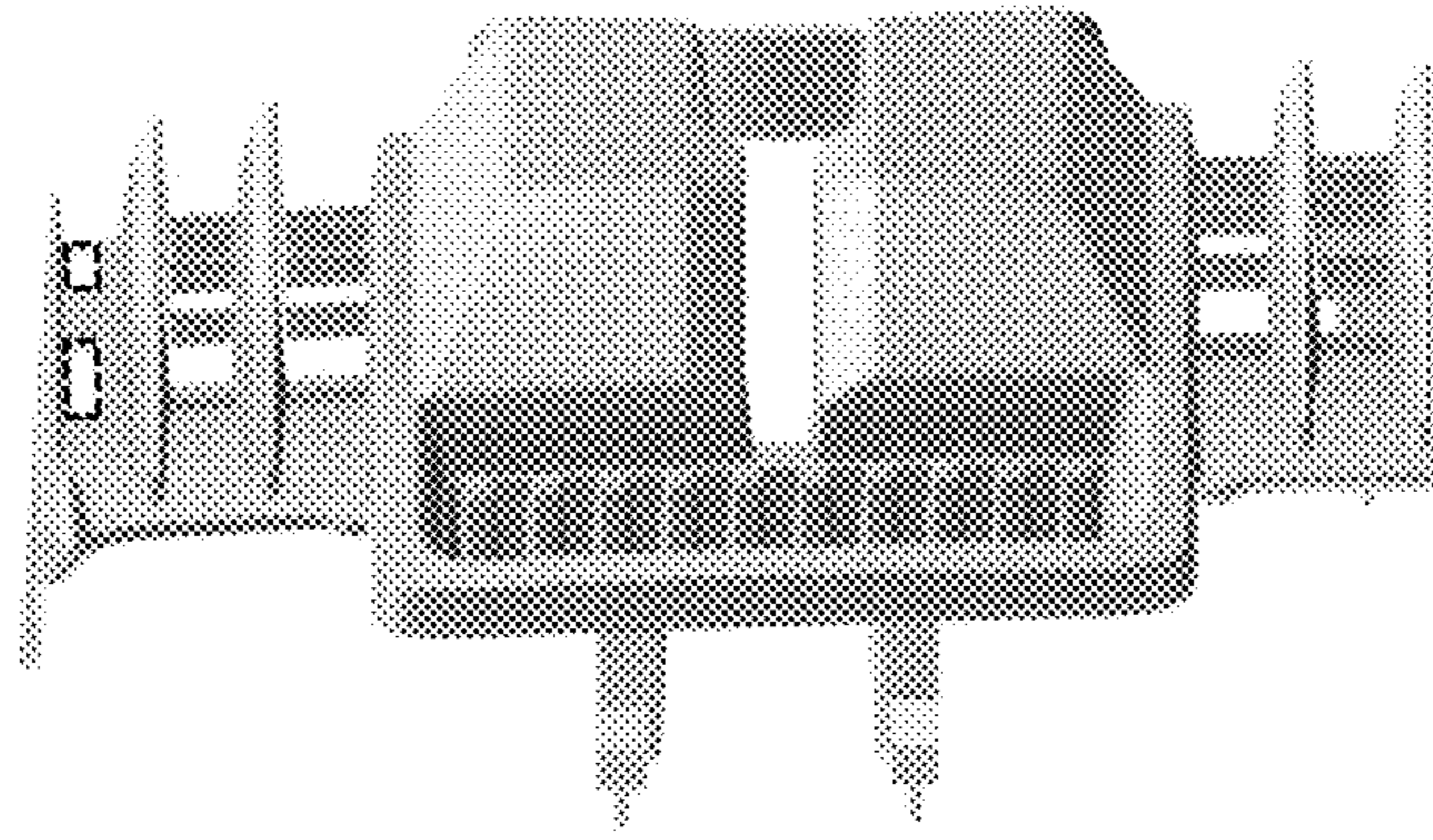


Figure 7

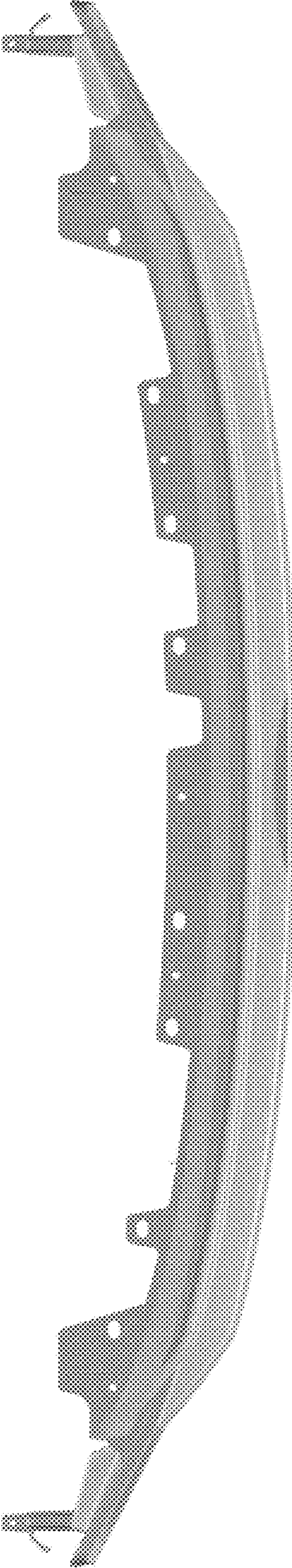


Figure 8

Figure 9

