



US00D805966S

(12) **United States Design Patent**  
**Perkins**

(10) **Patent No.:** **US D805,966 S**

(45) **Date of Patent:** **\*\* Dec. 26, 2017**

- (54) **VEHICLE GRILLE BEZEL**
- (71) Applicant: **GM GLOBAL TECHNOLOGY OPERATIONS LLC**, Detroit, MI (US)
- (72) Inventor: **Jeffrey W. Perkins**, Rochester, MI (US)
- (73) Assignee: **GM Global Technology Operations LLC**, Detroit, MI (US)
- (\*\*) Term: **15 Years**
- (21) Appl. No.: **29/574,626**
- (22) Filed: **Aug. 17, 2016**
- (51) **LOC (10) Cl.** ..... **12-16**
- (52) **U.S. Cl.**  
USPC ..... **D12/163**
- (58) **Field of Classification Search**  
USPC .... D12/86, 91, 93, 163, 164, 166, 167, 169, D12/171, 172, 173, 190, 216  
CPC ..... B62D 25/08; B62B 9/16; B60K 11/08; B60R 19/52  
See application file for complete search history.

(56) **References Cited**

**U.S. PATENT DOCUMENTS**

6,328,358 B1 *	12/2001	Berweiler	.....	B60R 19/52 180/68.6
D570,742 S	6/2008	Takagi et al.		
D592,105 S	5/2009	Dean et al.		
D597,447 S	8/2009	Folden		
D600,595 S	9/2009	Nakamura et al.		
D601,925 S	10/2009	O'Donnell		
D603,755 S	11/2009	Peters		
D604,203 S	11/2009	O'Donnell		
D605,082 S	12/2009	Munson		
D605,083 S	12/2009	Manoogian, II et al.		
D605,977 S	12/2009	Zipfel et al.		
D605,978 S	12/2009	Wolff et al.		

D608,249 S	1/2010	Peters		
D608,690 S	1/2010	Folden et al.		
D608,691 S	1/2010	Zak, Jr. et al.		
D609,608 S	2/2010	Boniface et al.		
D611,387 S	3/2010	Thompson et al.		
D611,879 S	3/2010	Kim et al.		
D612,297 S	3/2010	Peters et al.		
D613,645 S	4/2010	Song et al.		
D615,458 S	5/2010	Thompson et al.		
D618,595 S	6/2010	Ware et al.		
D619,508 S *	7/2010	Choi	.....	D12/164
D623,090 S	9/2010	Cox et al.		
D627,262 S	11/2010	Ikeda et al.		
D633,012 S *	2/2011	Bauer	.....	D12/163
D635,488 S	4/2011	Phipps		
D635,897 S *	4/2011	Frei	.....	D12/163
D640,610 S *	6/2011	Schell	.....	D12/163
D644,147 S	8/2011	Suh et al.		
D644,567 S	9/2011	Kozub		
D645,795 S *	9/2011	Ishibashi	.....	D12/163
D657,718 S	4/2012	Zipfel et al.		
D659,052 S	5/2012	Ware et al.		

(Continued)

*Primary Examiner* — Susan Bennett Hattan  
*Assistant Examiner* — Suzanne E Tisdell  
 (74) *Attorney, Agent, or Firm* — Reising Ethington P.C.

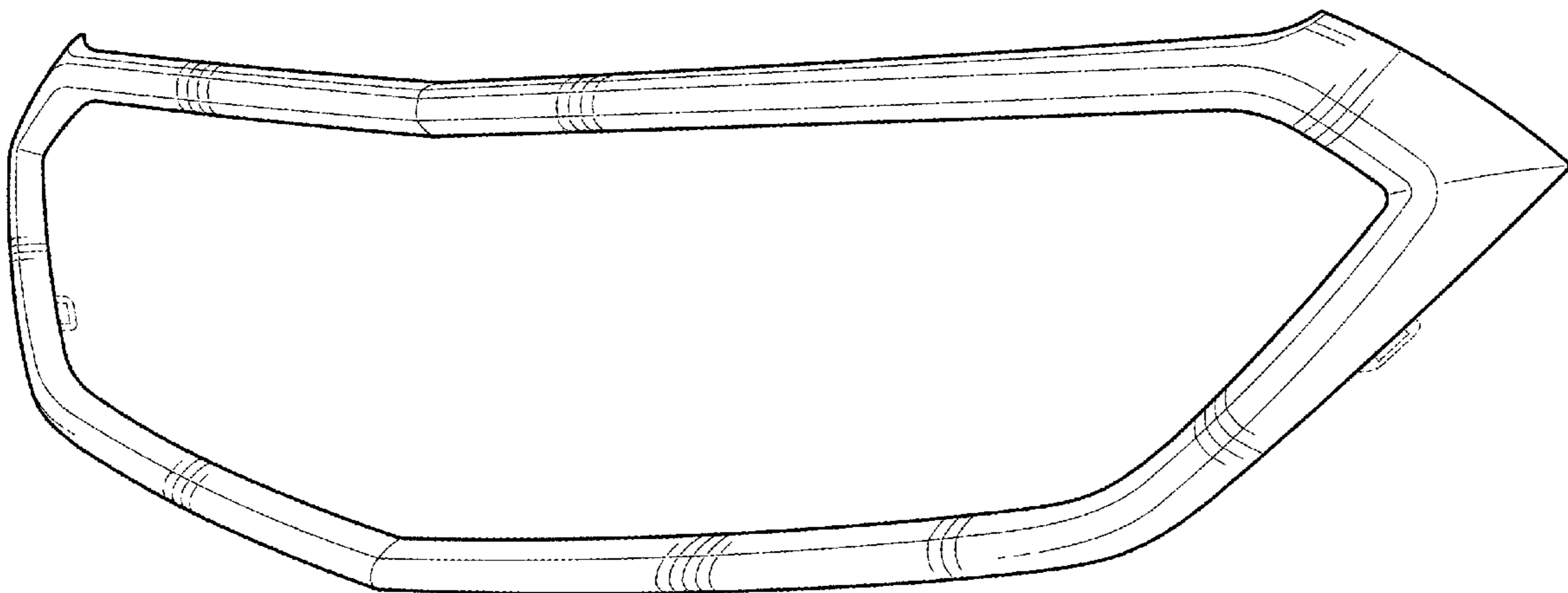
(57) **CLAIM**

The ornamental design for a vehicle grille bezel, as shown and described.

**DESCRIPTION**

FIG. 1 is a perspective view of the vehicle grille bezel; FIG. 2 is a front view thereof; FIG. 3 is a left side perspective view thereof (where the right side view is omitted since the right side view is a mirror image of the left side view); and, FIG. 4 is a top view thereof.  
 In the drawings, the portions shown by broken lines form no part of the claimed design.

**1 Claim, 2 Drawing Sheets**



(56)

References Cited

U.S. PATENT DOCUMENTS

D659,053 S 5/2012 Ware et al.  
 D663,656 S \* 7/2012 Frenzel ..... D12/163  
 D668,182 S 10/2012 Barba Franco et al.  
 D668,183 S 10/2012 Smart  
 D678,820 S 3/2013 Son et al.  
 D678,821 S 3/2013 Ikeda et al.  
 D680,909 S 4/2013 Munson et al.  
 D680,910 S 4/2013 David  
 D684,899 S 6/2013 Baker  
 D686,536 S 7/2013 McCabe et al.  
 D687,750 S \* 8/2013 Frei ..... D12/163  
 D687,751 S \* 8/2013 Futschik ..... D12/163  
 D692,358 S \* 10/2013 Nakamuta ..... D12/190  
 D692,798 S 11/2013 Thurber  
 D692,799 S 11/2013 Smith et al.  
 D696,157 S 12/2013 Loeb  
 D699,163 S \* 2/2014 Janssen ..... D12/164  
 D699,629 S 2/2014 Ikeda et al.  
 D700,871 S 3/2014 O'Donnell et al.  
 D701,798 S \* 4/2014 Futschik ..... D12/164  
 D703,103 S 4/2014 Lee  
 D704,103 S 5/2014 Mack et al.  
 D705,132 S 5/2014 Ware et al.  
 D705,699 S 5/2014 Ware et al.  
 D711,790 S \* 8/2014 Futschik ..... D12/164  
 D713,298 S 9/2014 Dyson  
 D713,764 S 9/2014 Ferlazzo et al.  
 D716,696 S 11/2014 Thole et al.  
 D716,706 S 11/2014 Thole et al.  
 D716,709 S 11/2014 Thole et al.  
 D717,696 S 11/2014 Thole et al.  
 D718,189 S 11/2014 Krieg et al.  
 D718,683 S 12/2014 Thole et al.  
 D721,019 S \* 1/2015 Pevovar ..... D12/163  
 D722,282 S 2/2015 Loeb  
 D722,533 S 2/2015 Thole et al.  
 D722,534 S 2/2015 Munson et al.  
 D724,510 S 3/2015 McMahan et al.  
 D725,001 S 3/2015 McMahan et al.  
 D726,591 S 4/2015 Jacob  
 D730,776 S 6/2015 Smart  
 D730,783 S 6/2015 Henriques et al.  
 D732,427 S 6/2015 Loeb  
 D732,429 S 6/2015 Loeb  
 D732,430 S 6/2015 Loeb  
 D732,431 S 6/2015 Loeb  
 D732,432 S 6/2015 Aengenheyster  
 D732,433 S 6/2015 Aengenheyster  
 D732,435 S 6/2015 Mackay  
 D733,002 S 6/2015 Loeb

D735,611 S 8/2015 Aengenheyster  
 D735,627 S 8/2015 Smith  
 D736,451 S 8/2015 Smith  
 D739,306 S 9/2015 McMahan et al.  
 D739,317 S 9/2015 McMahan et al.  
 D741,223 S 10/2015 Kim et al.  
 D743,309 S 11/2015 Thole et al.  
 D743,313 S 11/2015 Smith et al.  
 D743,314 S 11/2015 Thole et al.  
 D743,857 S 11/2015 McMahan et al.  
 D744,158 S 11/2015 Willett et al.  
 D745,086 S 12/2015 Finos et al.  
 D745,719 S 12/2015 Boniface et al.  
 D745,725 S 12/2015 McMahan et al.  
 D745,726 S 12/2015 McMahan et al.  
 D745,837 S 12/2015 Smith et al.  
 D746,726 S 1/2016 Smith et al.  
 D746,727 S 1/2016 Smith et al.  
 D746,728 S 1/2016 Smith et al.  
 D746,729 S 1/2016 Boniface et al.  
 D746,730 S 1/2016 Kim et al.  
 D747,514 S 1/2016 McMahan et al.  
 D747,515 S 1/2016 McMahan et al.  
 D747,819 S 1/2016 Thole et al.  
 D749,021 S 2/2016 Boniface et al.  
 D749,026 S 2/2016 Smith et al.  
 D749,027 S 2/2016 McMahan et al.  
 D749,246 S 2/2016 Thole et al.  
 D749,249 S 2/2016 Thole et al.  
 D749,250 S 2/2016 Thole et al.  
 D749,985 S 2/2016 Kozub et al.  
 D749,997 S 2/2016 McMahan et al.  
 D750,001 S 2/2016 Thole et al.  
 D753,032 S 4/2016 Smith et al.  
 D753,033 S 4/2016 Thole et al.  
 D753,034 S 4/2016 Thole et al.  
 D753,035 S 4/2016 Boniface et al.  
 D753,559 S 4/2016 McMahan et al.  
 D753,560 S 4/2016 McMahan et al.  
 D753,567 S 4/2016 Boniface et al.  
 D754,571 S 4/2016 Boniface et al.  
 D754,572 S 4/2016 McMahan et al.  
 D755,088 S 5/2016 McMahan et al.  
 D756,869 S 5/2016 McMahan et al.  
 D758,271 S 6/2016 McMahan et al.  
 D759,551 S \* 6/2016 Nakahara ..... D12/163  
 D788,662 S \* 6/2017 Minami ..... D12/190  
 D788,663 S \* 6/2017 Minami ..... D12/190  
 D788,664 S \* 6/2017 Minami ..... D12/190  
 D790,412 S \* 6/2017 Dunford ..... D12/163  
 2017/0129430 A1 \* 5/2017 Aizawa ..... B60R 19/18  
 2017/0137954 A1 \* 5/2017 Hashimoto ..... B60K 11/08

\* cited by examiner

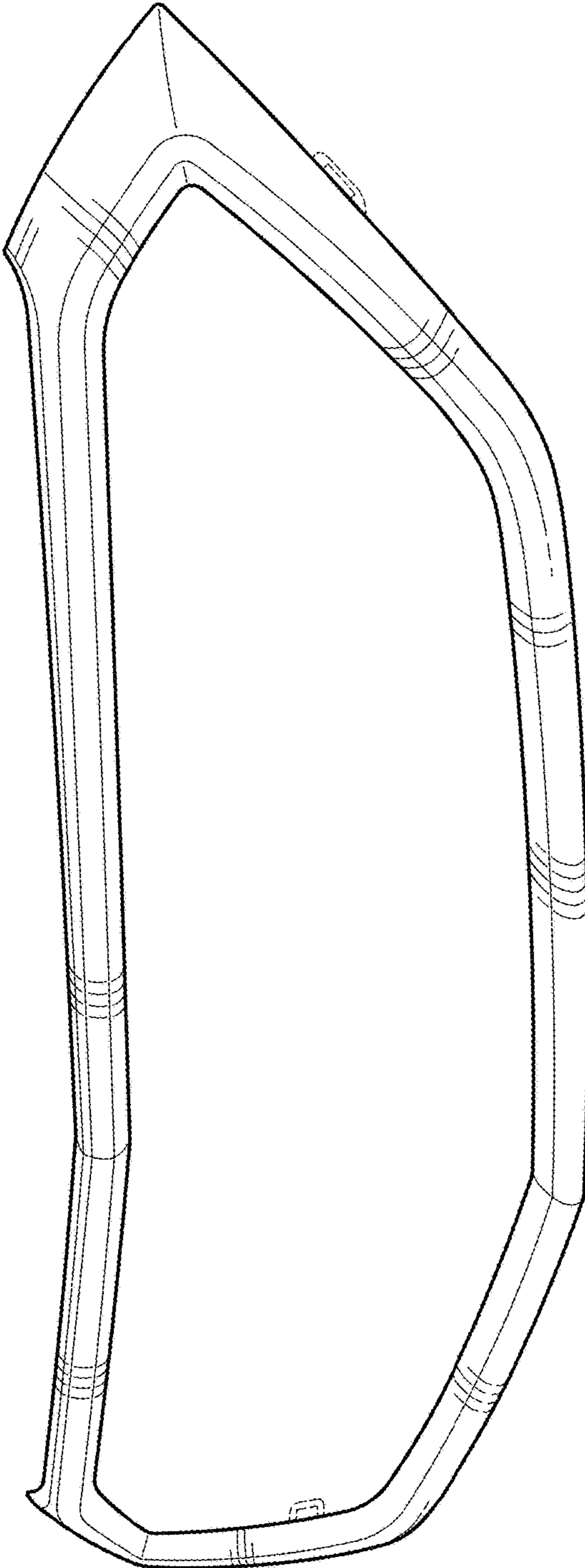


FIG. 1

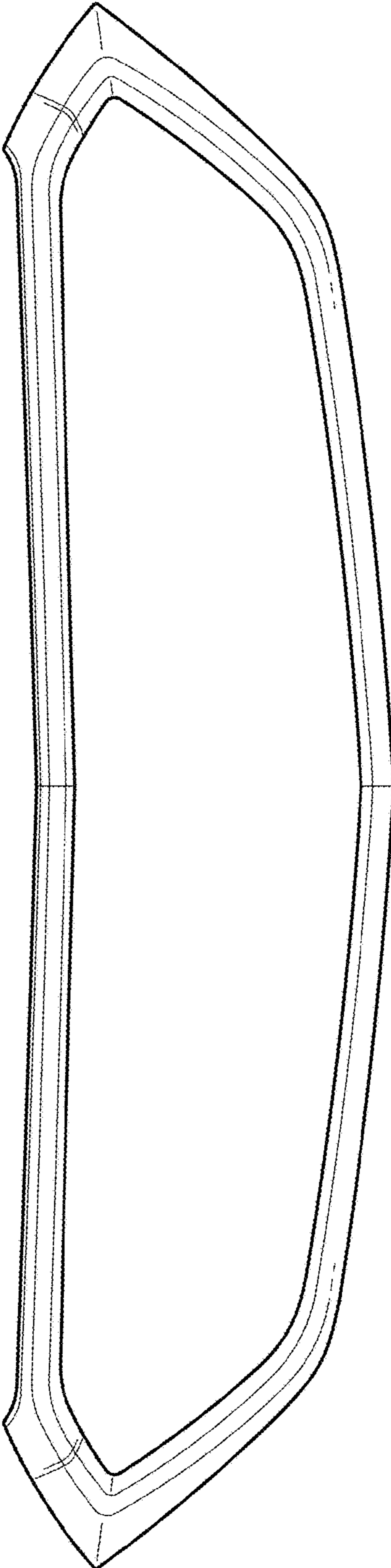


FIG. 2

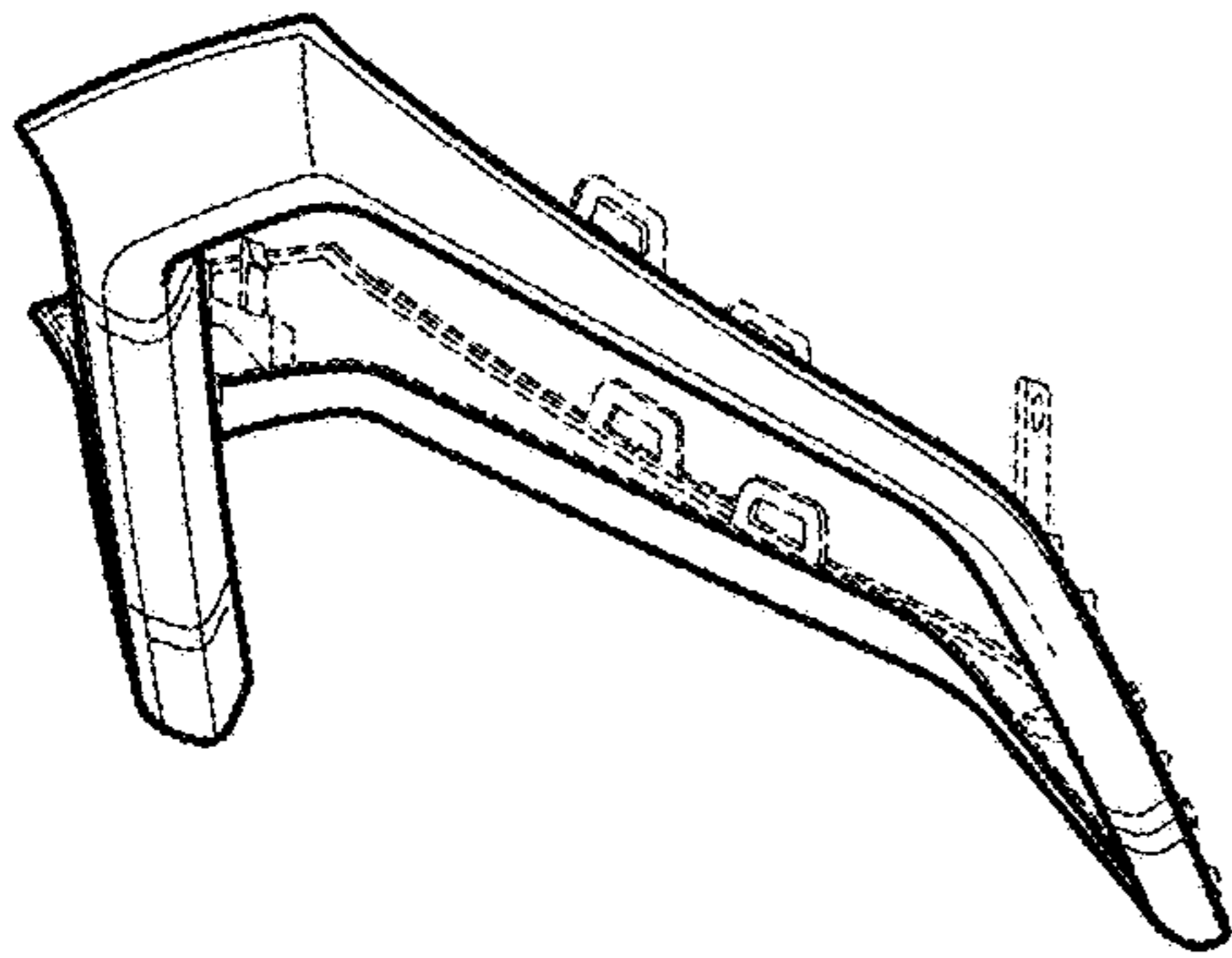


FIG. 3

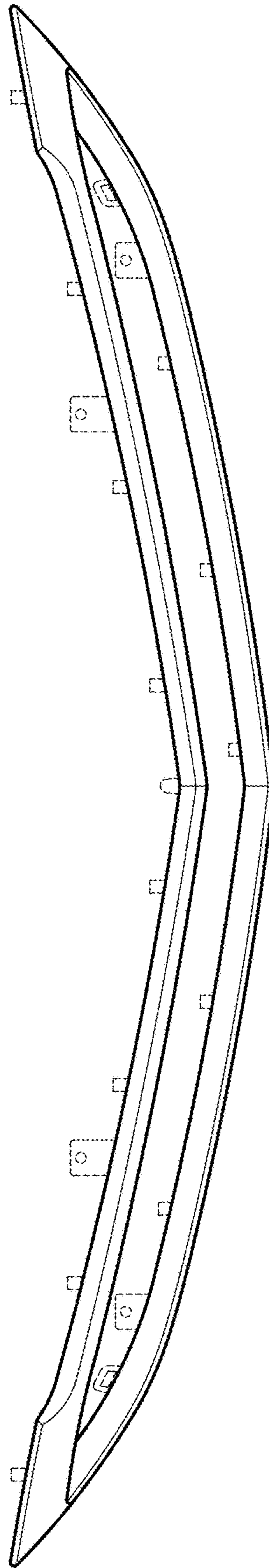


FIG. 4



US00D805966C1

(12) **EX PARTE REEXAMINATION CERTIFICATE** (11830th)  
**United States Patent**  
**Perkins**

(10) **Number:** **US D805,966 C1**  
(45) **Certificate Issued:** **Apr. 19, 2021**

(54) **VEHICLE GRILLE BEZEL**

(71) Applicant: **GM GLOBAL TECHNOLOGY OPERATIONS LLC**, Detroit, MI (US)

(72) Inventor: **Jeffrey W. Perkins**, Rochester, MI (US)

(73) Assignee: **GM GLOBAL TECHNOLOGY OPERATIONS LLC**, Detroit, MI (US)

**Reexamination Request:**

No. 90/014,496, Apr. 8, 2020

**Reexamination Certificate for:**

Patent No.: **Des. 805,966**  
Issued: **Dec. 26, 2017**  
Appl. No.: **29/574,626**  
Filed: **Aug. 17, 2016**

(51) **LOC (13) Cl.** ..... 12-16

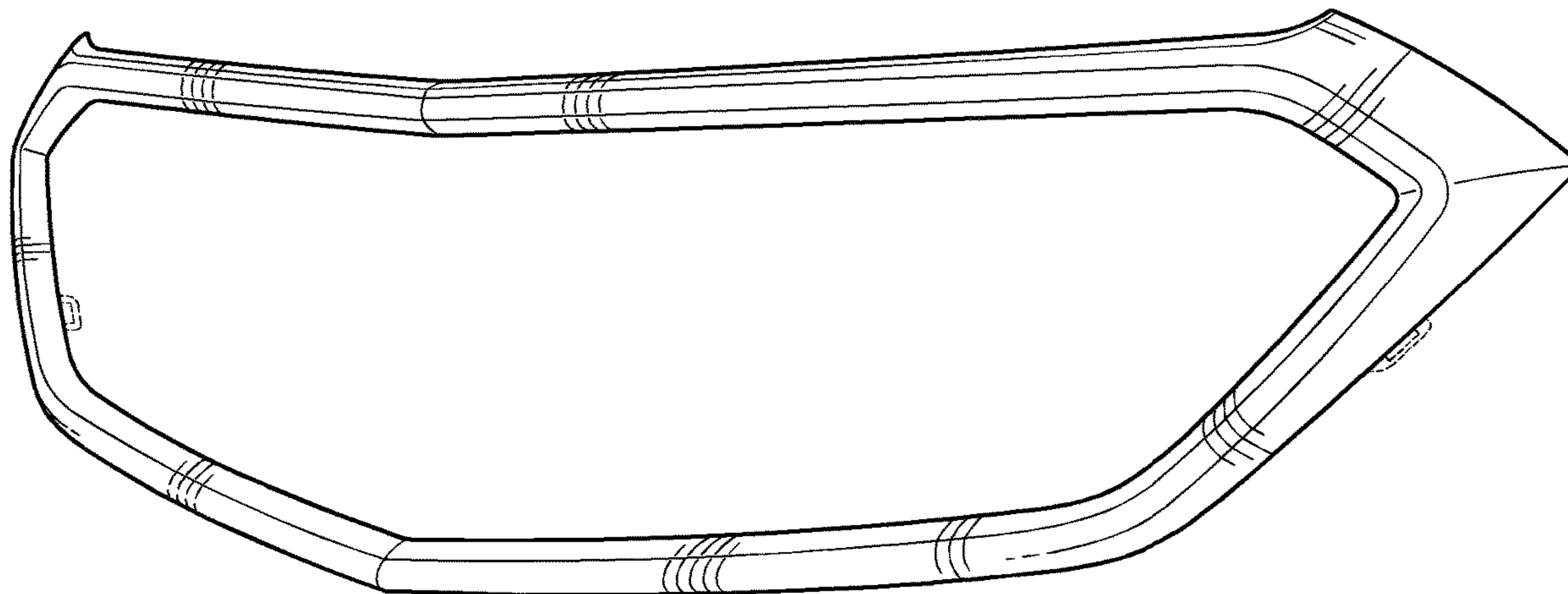
(52) **U.S. Cl.**  
USPC ..... **D12/163**

(58) **Field of Classification Search**  
USPC ..... D12/163  
See application file for complete search history.

(56) **References Cited**

To view the complete listing of prior art documents cited during the proceeding for Reexamination Control Number 90/014,496, please refer to the USPTO's public Patent Application Information Retrieval (PAIR) system under the Display References tab.

*Primary Examiner* — Kevin K Rudzinski



**1**  
**EX PARTE**  
**REEXAMINATION CERTIFICATE**

NO AMENDMENTS HAVE BEEN MADE TO 5  
THE PATENT

AS A RESULT OF REEXAMINATION, IT HAS BEEN  
DETERMINED THAT:

The patentability of claim 1 is confirmed. 10

\* \* \* \* \*