



US00D805963S

(12) **United States Design Patent**  
**Varga**

(10) **Patent No.:** **US D805,963 S**

(45) **Date of Patent:** **\*\* Dec. 26, 2017**

(54) **MOTOR VEHICLE, TOY AND/OR REPLICA**

(71) Applicant: **Dr. Ing. h.c. F. Porsche**  
**Aktiengesellschaft, Stuttgart, DE (US)**

(72) Inventor: **Peter Varga, Pforzheim (DE)**

(73) Assignee: **Dr. Ing. h.c. F. Porsche**  
**Aktiengesellschaft, Stuttgart (DE)**

(\*\*) Term: **15 Years**

(21) Appl. No.: **29/575,771**

(22) Filed: **Aug. 29, 2016**

(30) **Foreign Application Priority Data**

Feb. 29, 2016 (DE) ..... 40 2016 100 234

(51) **LOC (10) Cl.** ..... **12-08**

(52) **U.S. Cl.**  
USPC ..... **D12/92**

(58) **Field of Classification Search**  
USPC ..... D12/86, 90-92; D21/421, 433, 434;  
296/181.1, 181.5

CPC ..... B62D 35/00; B62D 25/00; B62D 25/06;  
B62D 33/00

See application file for complete search history.

(56) **References Cited**

**U.S. PATENT DOCUMENTS**

D526,600 S 8/2006 Lai  
D526,945 S 8/2006 Lai

D590,300 S 4/2009 Saracoglu  
D673,484 S 1/2013 Robinson  
D731,927 S 6/2015 Robinson  
D751,465 S \* 3/2016 Stopka ..... D12/92  
D753,023 S \* 4/2016 Villevoye ..... D12/92  
D755,677 S \* 5/2016 Stopka ..... D12/92  
D757,609 S \* 5/2016 Stopka ..... D12/92  
D757,610 S \* 5/2016 Stopka ..... D12/92  
D768,037 S \* 10/2016 Stopka ..... D12/92  
D774,421 S \* 12/2016 Larson ..... D12/92  
D797,607 S \* 9/2017 Preuninger ..... D12/92

\* cited by examiner

*Primary Examiner* — Melody N Brown

(74) *Attorney, Agent, or Firm* — Ratner Prestia

(57) **CLAIM**

The ornamental design for a motor vehicle, toy and/or replica, as shown and described.

**DESCRIPTION**

FIG. 1 is a front elevation view of a motor vehicle, toy and/or replica;

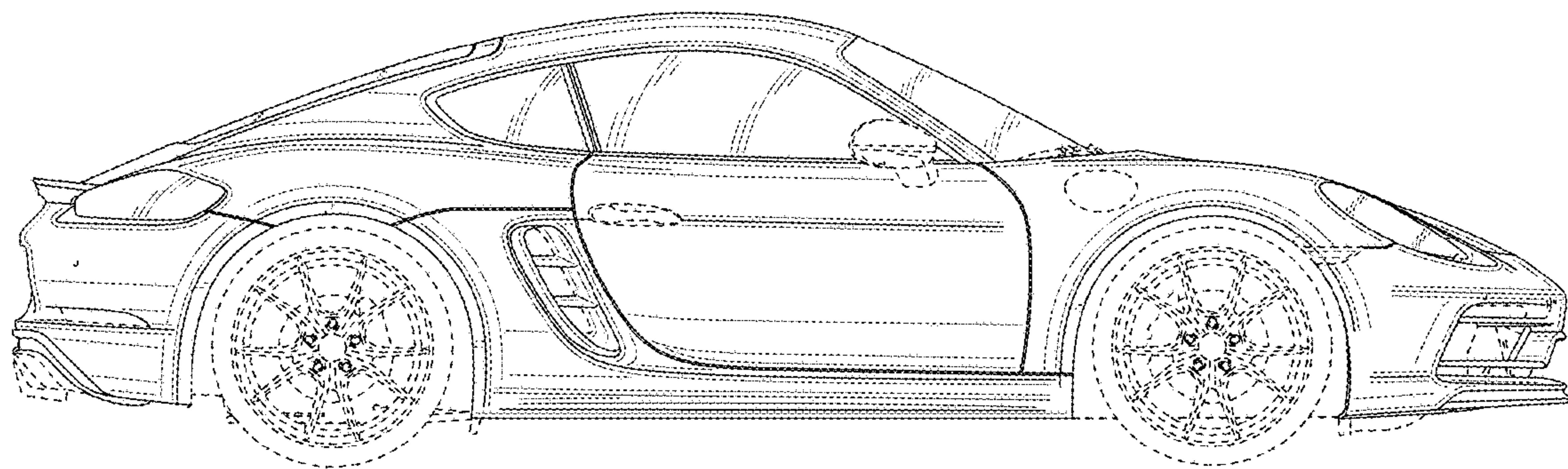
FIG. 2 is a rear elevation view thereof;

FIG. 3 is a left side elevation view thereof, the right side elevation view being a substantial mirror image of the left side elevation view; and,

FIG. 4 is a top plan view thereof.

The broken line showing of the motor vehicle, toy and/or replica is for the purpose of illustrating portions of the motor vehicle, toy and/or replica and forms no part of the claimed design.

**1 Claim, 4 Drawing Sheets**



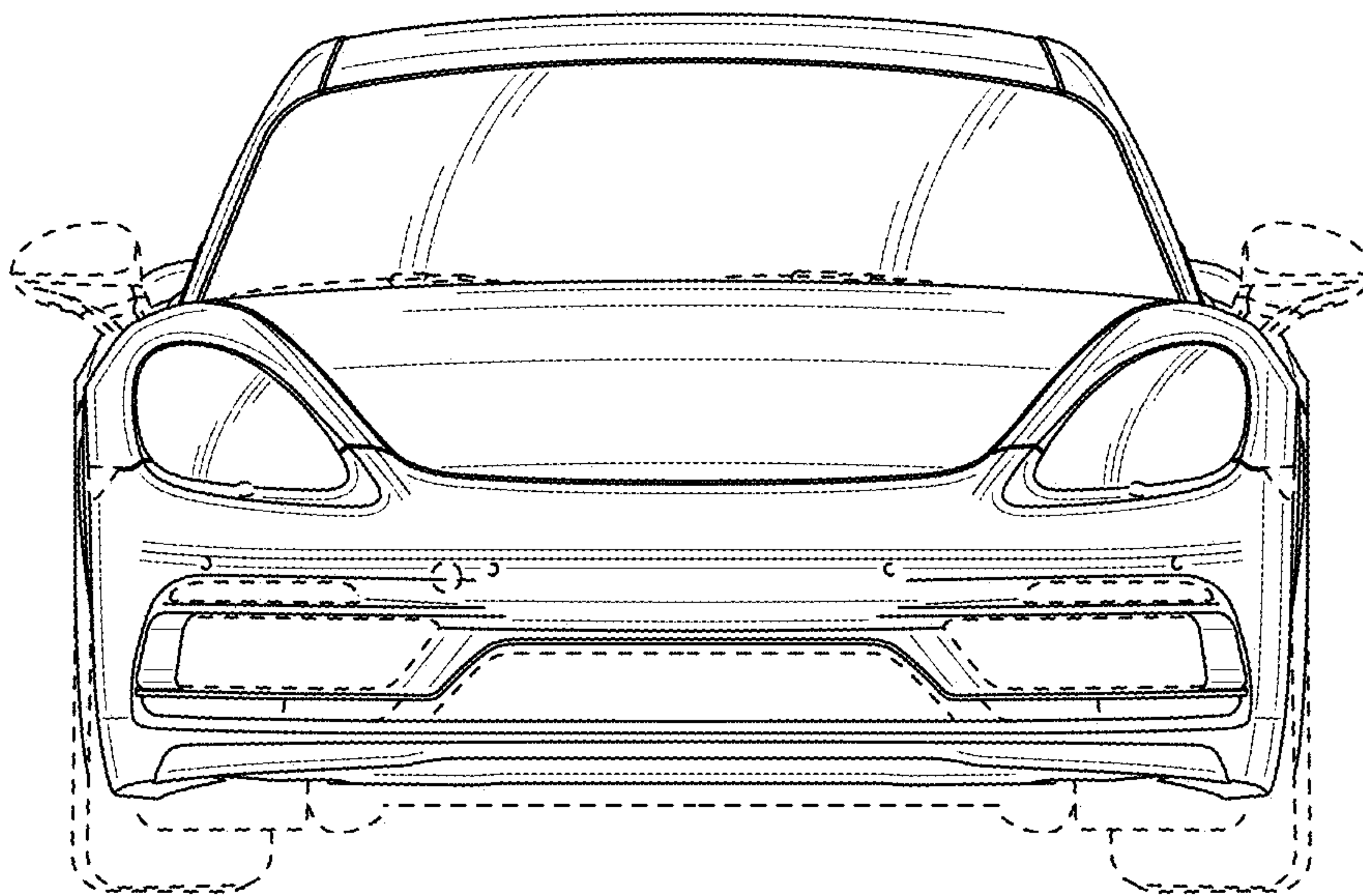


FIG. 1

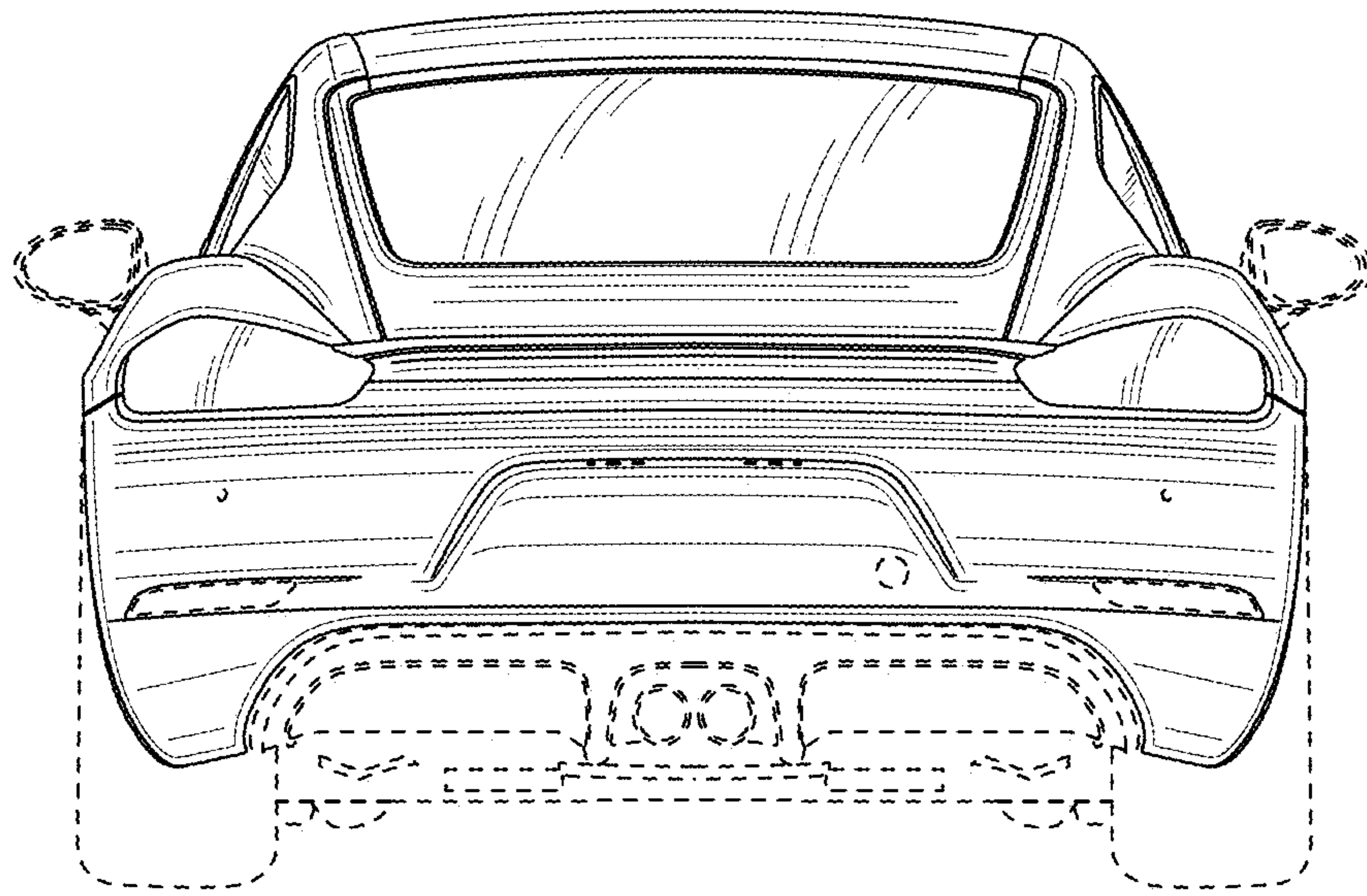


FIG. 2



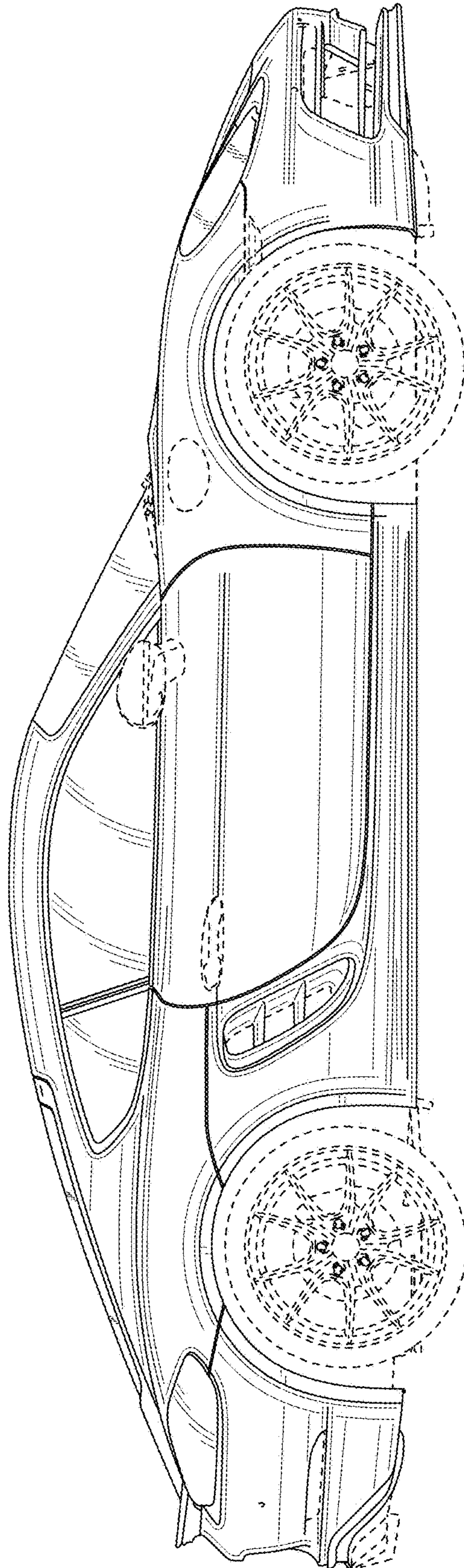


FIG. 3

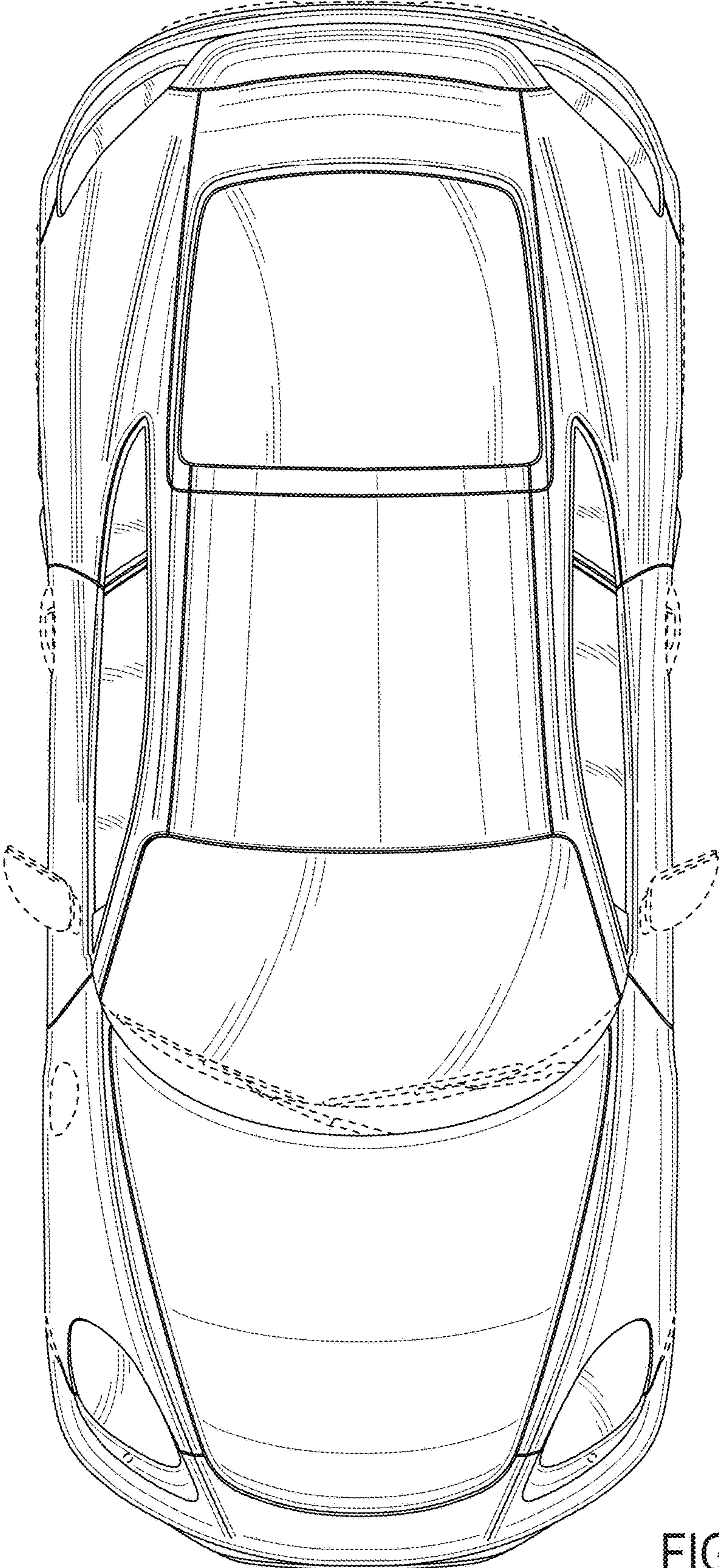


FIG. 4