



US00D805960S

(12) **United States Design Patent** (10) **Patent No.:** **US D805,960 S**  
**Wheel et al.** (45) **Date of Patent:** **\*\* Dec. 26, 2017**

(54) **VEHICLE**

(71) Applicant: **Jaguar Land Rover Limited**, Whitley, Coventry (GB)

(72) Inventors: **Andrew Wheel**, Whitley (GB); **Jeremy Waterman**, Whitley (GB)

(73) Assignee: **Jaguar Land Rover Limited**, Whitley, Coventry (GB)

(\*\*) Term: **15 Years**

(21) Appl. No.: **29/597,742**

(22) Filed: **Mar. 20, 2017**

**Related U.S. Application Data**

(62) Division of application No. 29/527,464, filed on May 19, 2015, now Pat. No. Des. 784,855.

(30) **Foreign Application Priority Data**

Dec. 12, 2014 (EM) ..... 002596593-0003  
Dec. 12, 2014 (EM) ..... 002596593-0005  
Feb. 19, 2015 (EM) ..... 002637504-0002  
Feb. 19, 2015 (EM) ..... 002637587-0002

(51) **LOC (10) Cl.** ..... **12-08**

(52) **U.S. Cl.**  
USPC ..... **D12/91**

(58) **Field of Classification Search**  
USPC ..... D12/86, 90-92, 88; D21/421, 433, 434;  
296/181.1, 181.5  
CPC ..... B62D 35/00; B62D 25/00; B62D 25/06;  
B62D 33/00  
See application file for complete search history.

(56) **References Cited**

**U.S. PATENT DOCUMENTS**

D684,093 S \* 6/2013 Woolley ..... D12/91  
D684,094 S \* 6/2013 Le Grice ..... D12/91

D716,695 S \* 11/2014 Woolley ..... D12/91  
D718,188 S \* 11/2014 Wheel ..... D12/91  
D735,610 S \* 8/2015 Wheel ..... D12/91  
D746,722 S \* 1/2016 Henstridge ..... D12/91  
D750,531 S \* 3/2016 Watkins ..... D12/91  
D750,532 S \* 3/2016 Frascella ..... D12/91  
D782,936 S \* 4/2017 Wheel ..... D12/91  
D782,937 S \* 4/2017 Wheel ..... D12/91

(Continued)

*Primary Examiner* — Melody N Brown

(74) *Attorney, Agent, or Firm* — Wood Herron & Evans LLP

(57) **CLAIM**

The ornamental design for a vehicle, as shown and described.

**DESCRIPTION**

FIG. 1 is a front and right side perspective view of a vehicle showing my new design;

FIG. 2 is a rear and left side perspective view thereof;

FIG. 3 is a front view thereof.

FIG. 4 is a rear view thereof.

FIG. 5 is a left side view thereof.

FIG. 6 is a right side view thereof.

FIG. 7 is a top view thereof.

FIG. 8 is a front and right side perspective view of a vehicle showing a second embodiment of my new design;

FIG. 9 is a rear and left side perspective of FIG. 8.

FIG. 10 is a front view of FIG. 8.

FIG. 11 is a rear view of FIG. 8.

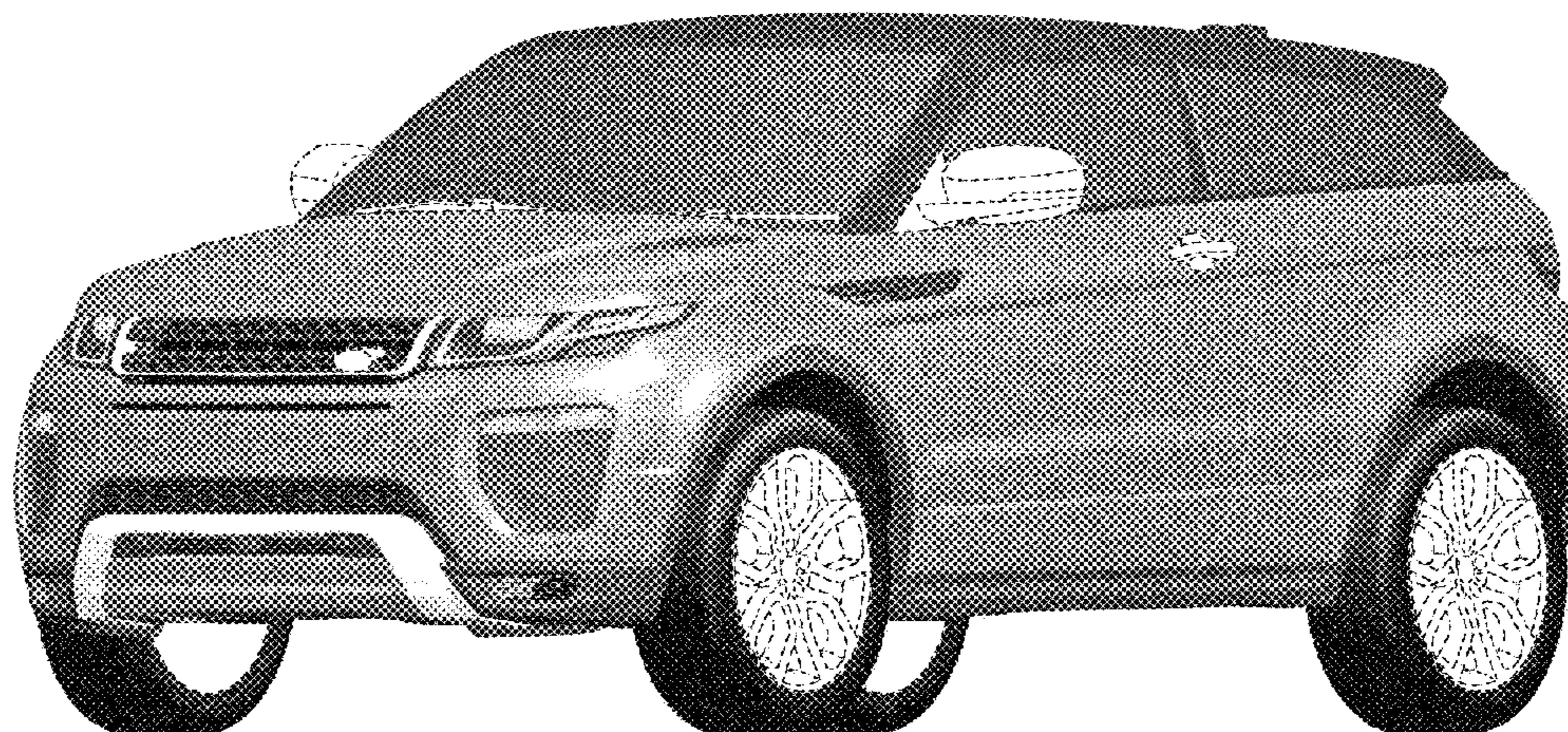
FIG. 12 is a left side view of FIG. 8.

FIG. 13 is a right side view of FIG. 8; and,

FIG. 14 is a top view of FIG. 8.

Any elements shown in broken lines form no part of the claimed invention, and are instead included to show environmental aspects of the claimed invention. Also, broken lines shown adjacent to any shaded portions form an unclaimed boundary of the design.

**1 Claim, 10 Drawing Sheets**



(56)

**References Cited**

U.S. PATENT DOCUMENTS

D784,855 S \* 4/2017 Wheel ..... D12/91  
D793,907 S \* 8/2017 Woolley ..... D12/91

\* cited by examiner

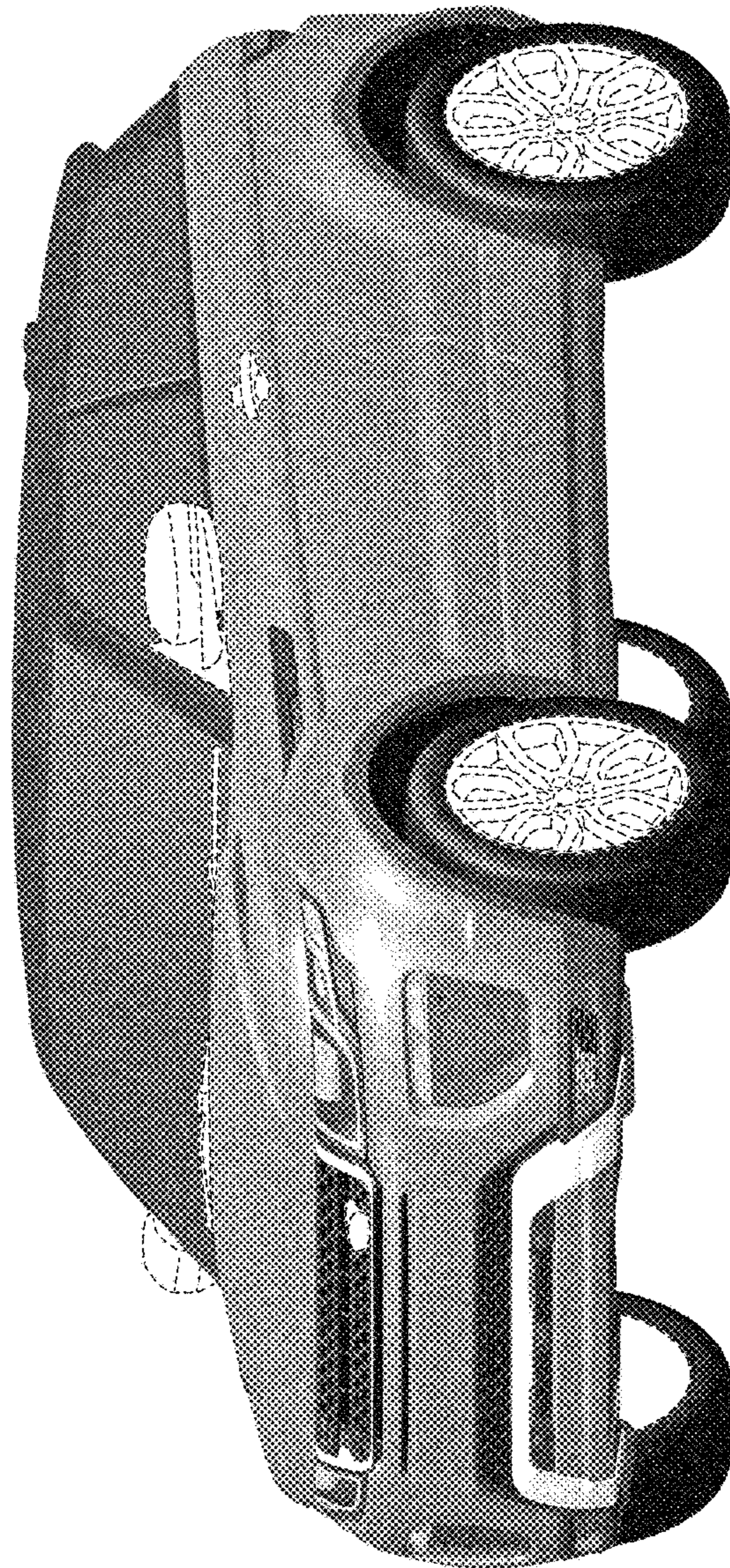


FIG. 1

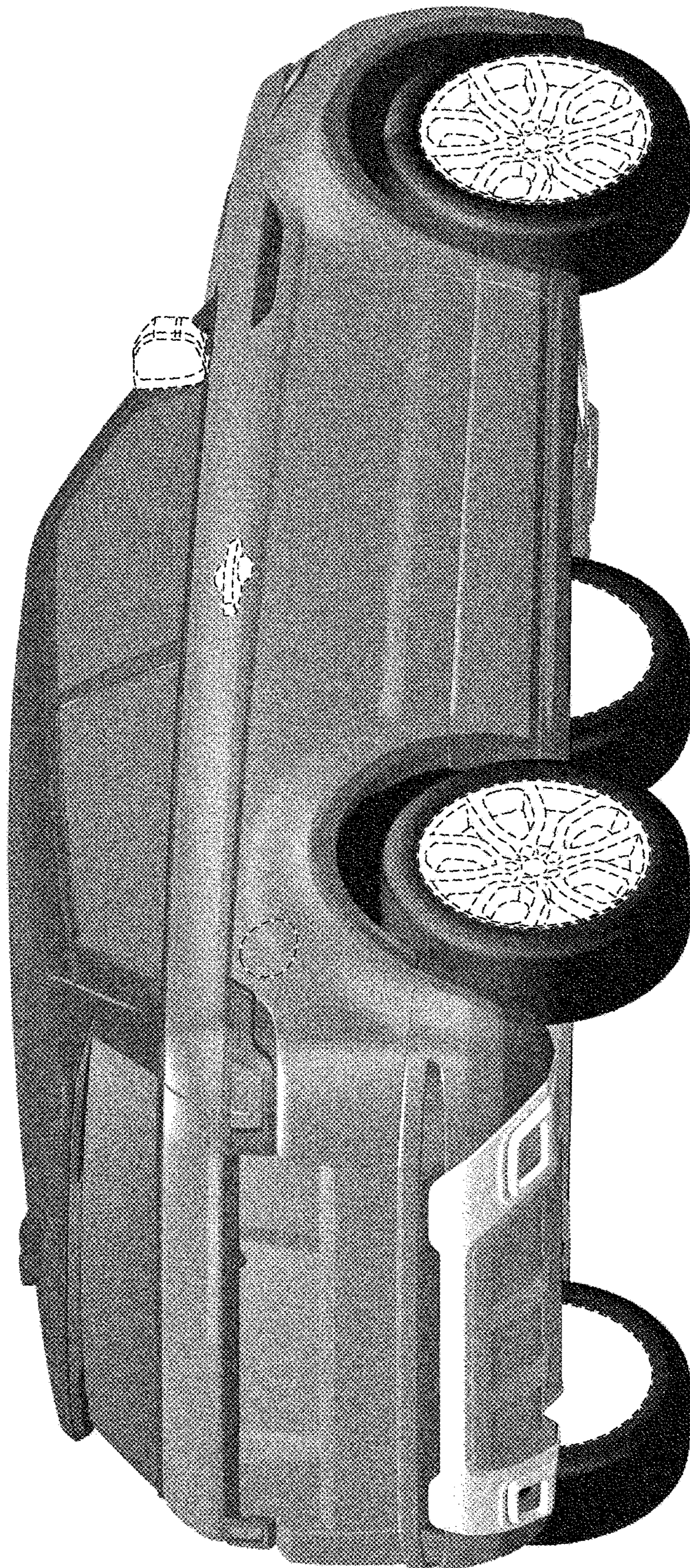


FIG. 2



FIG. 3

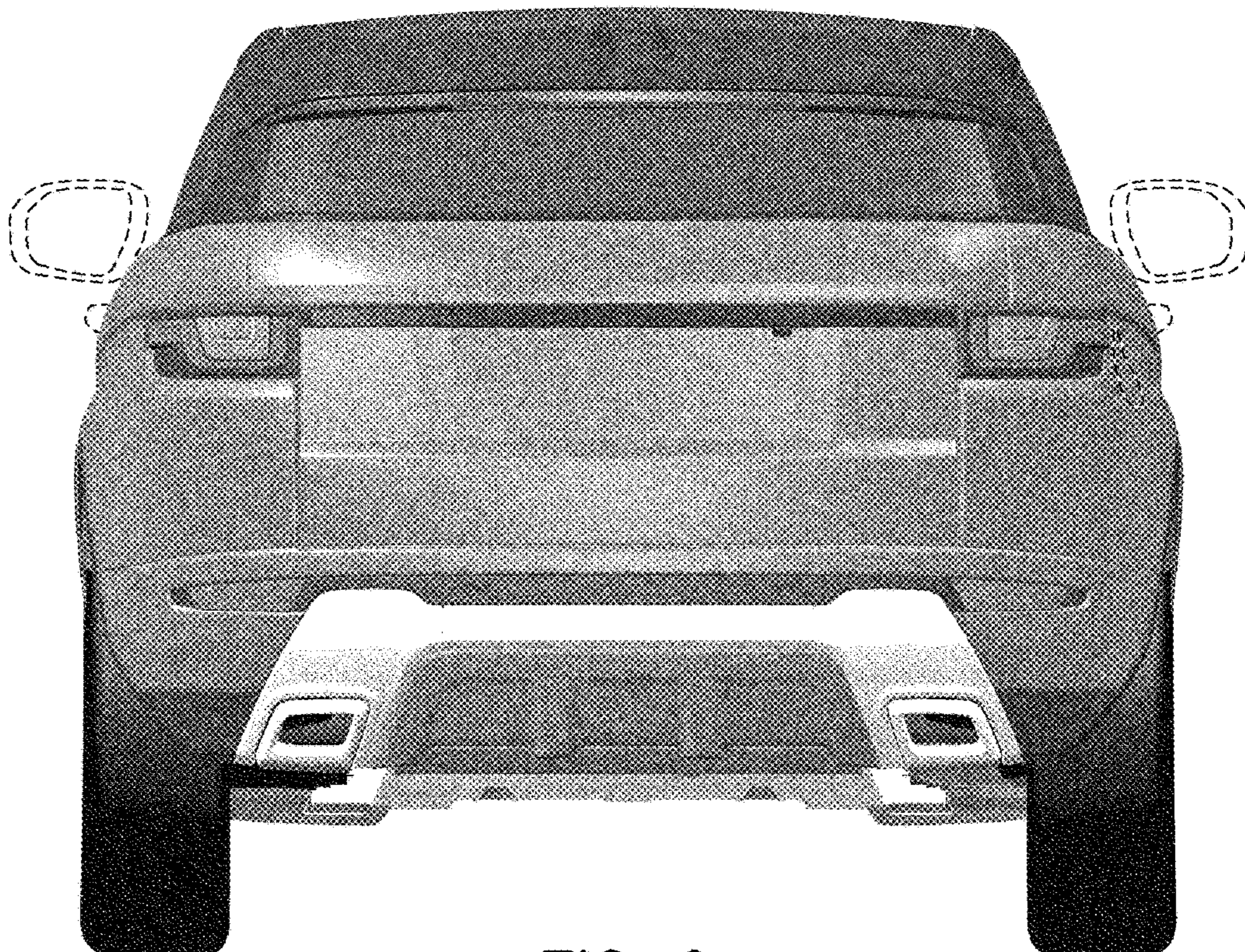


FIG. 4

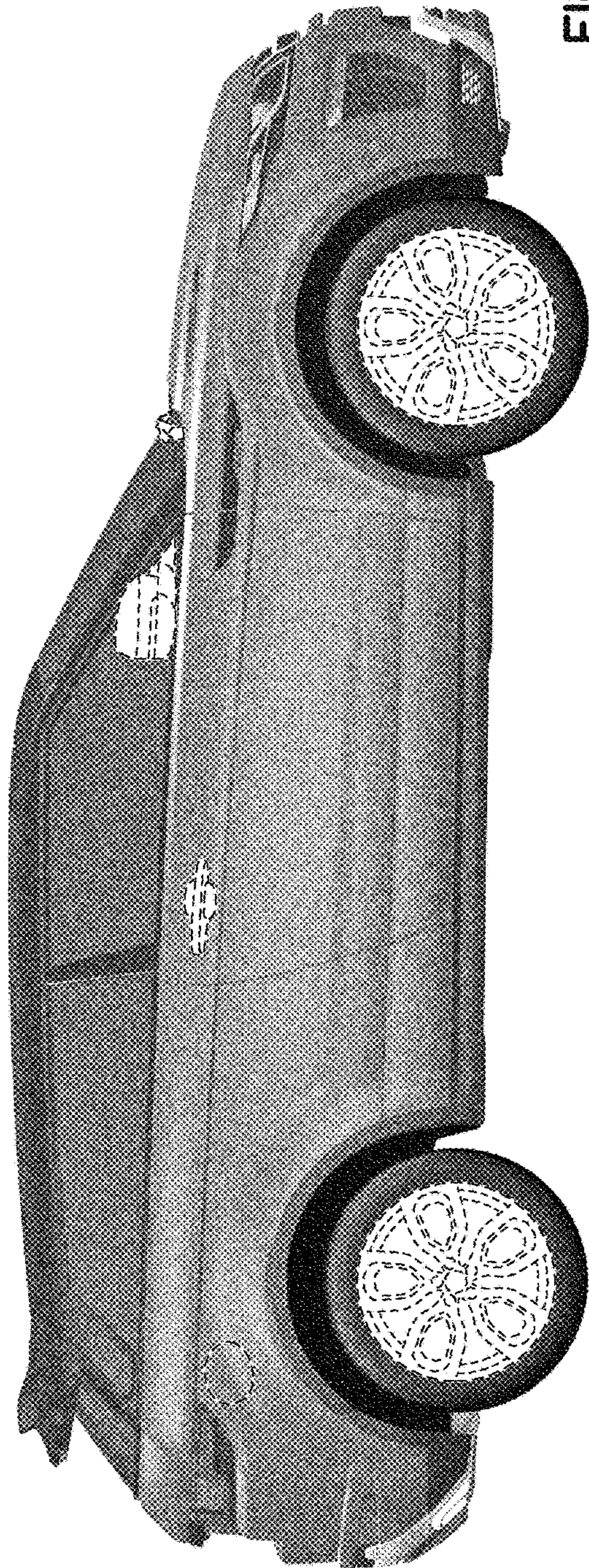


FIG. 5

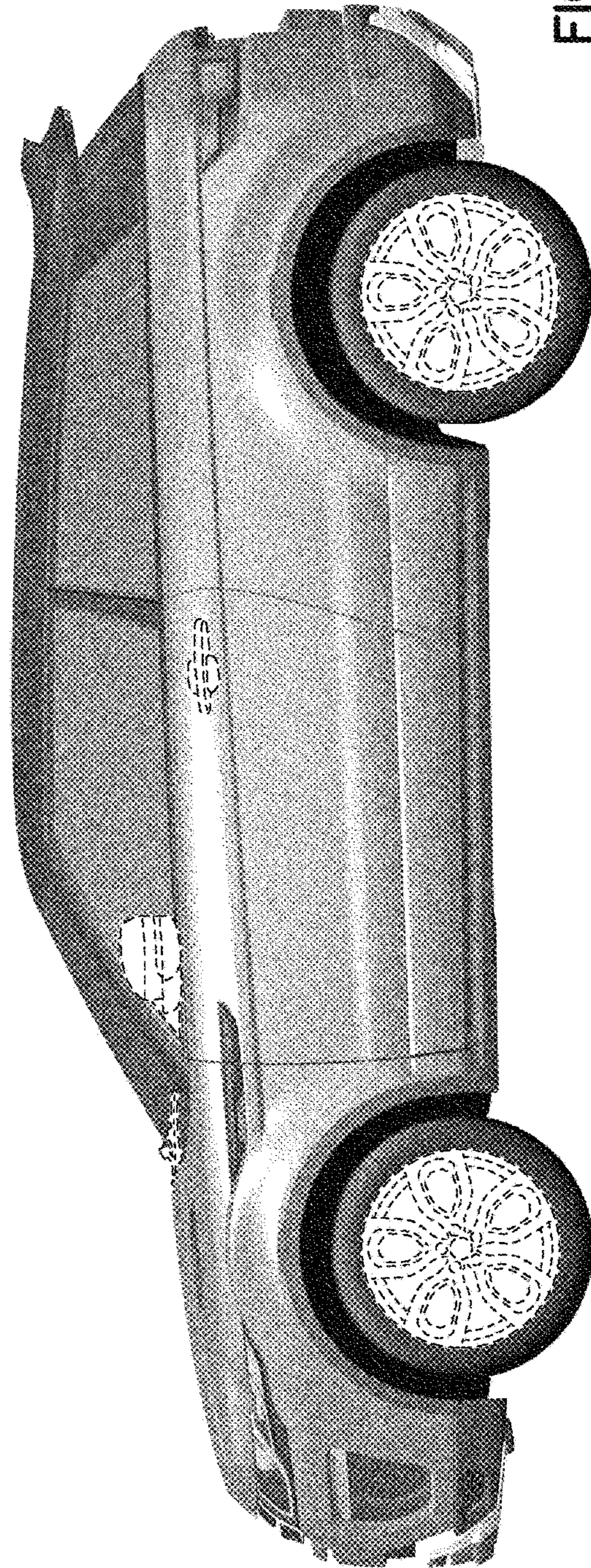


FIG. 6

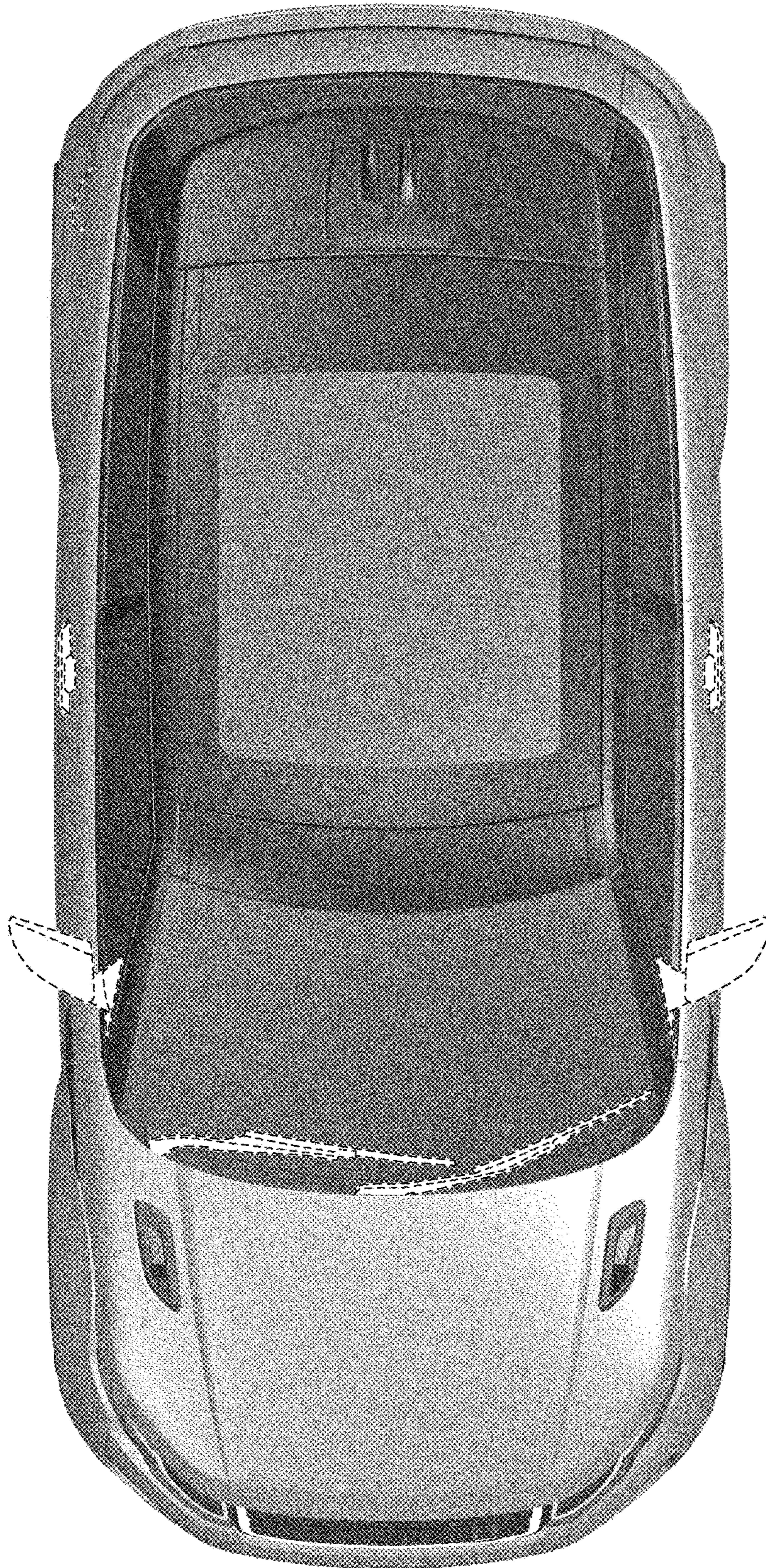


FIG. 7

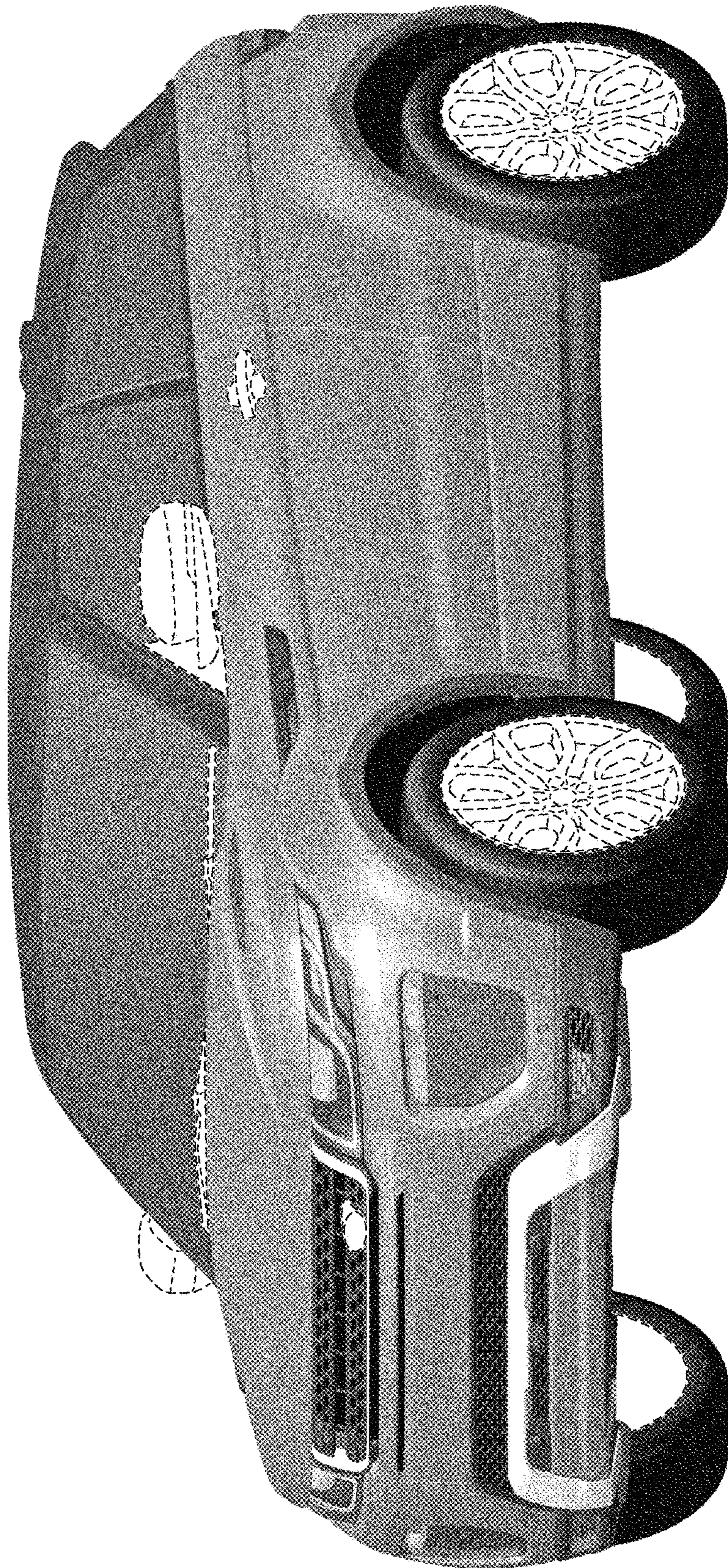


FIG. 8





FIG. 9



FIG. 10

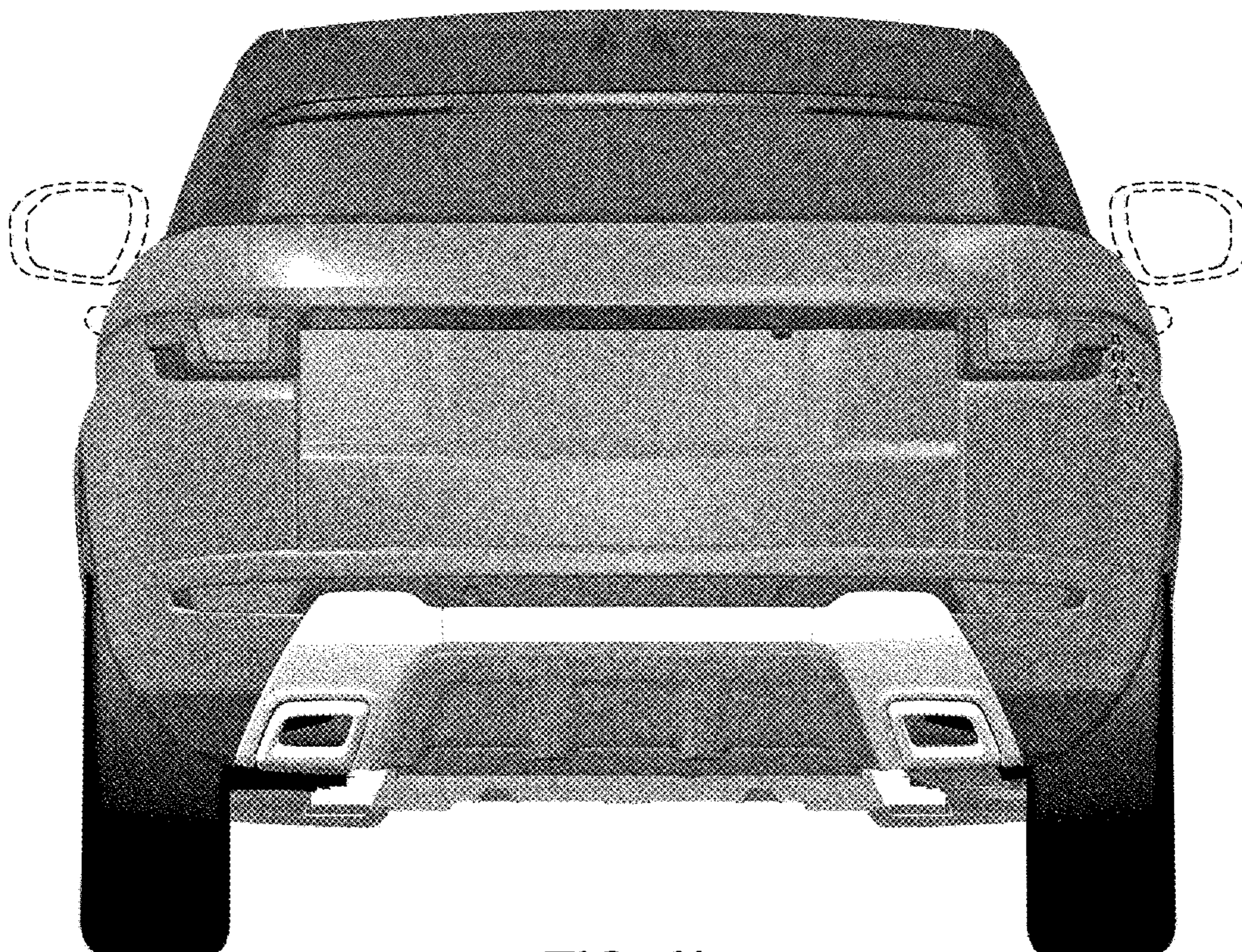


FIG. 11

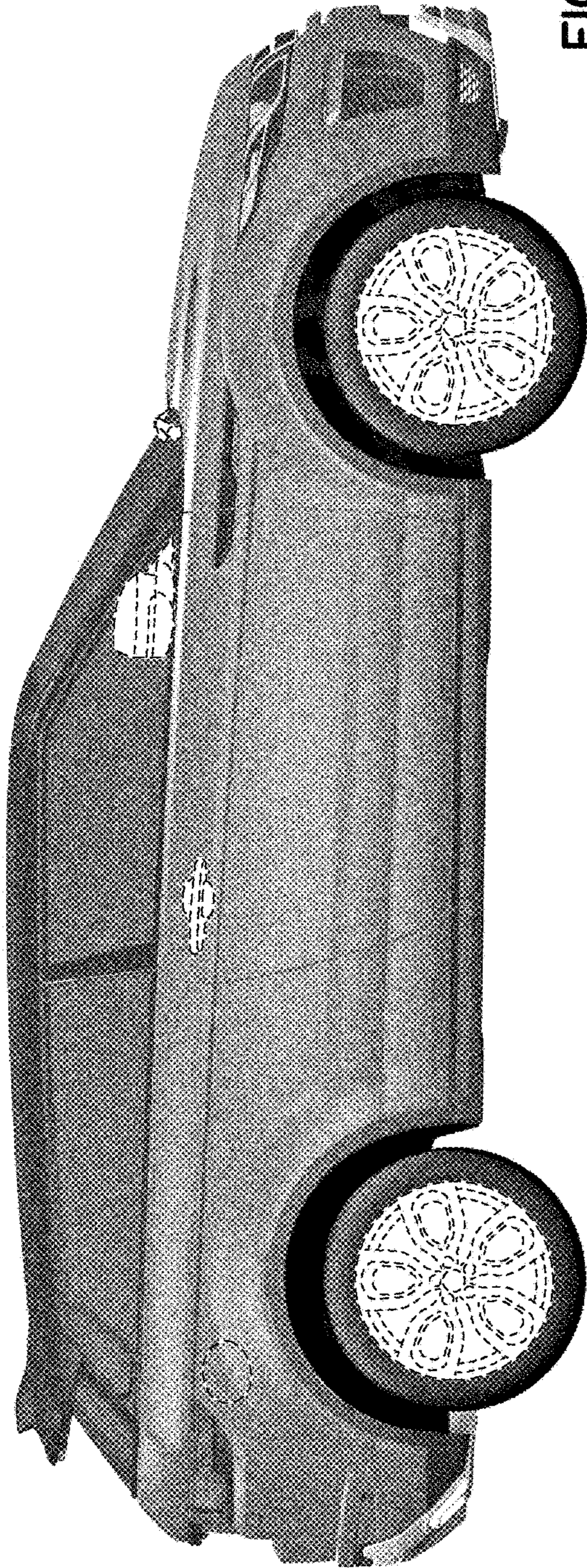


FIG. 12

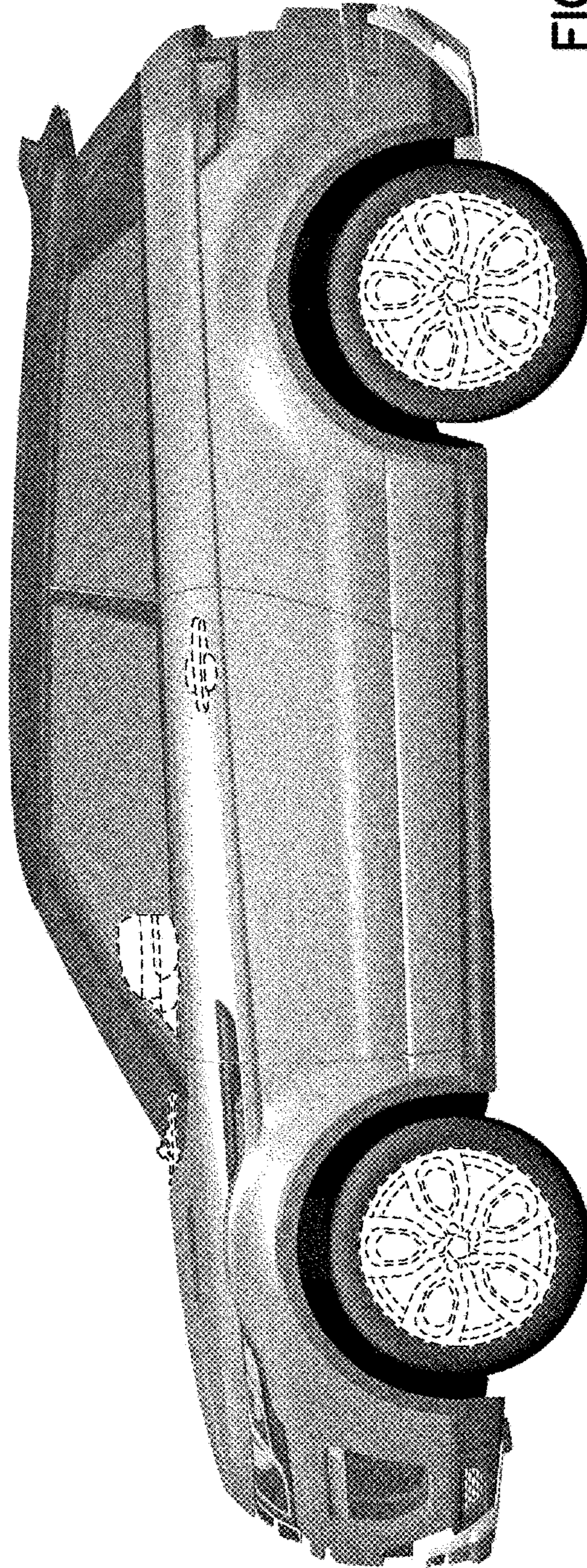


FIG. 13

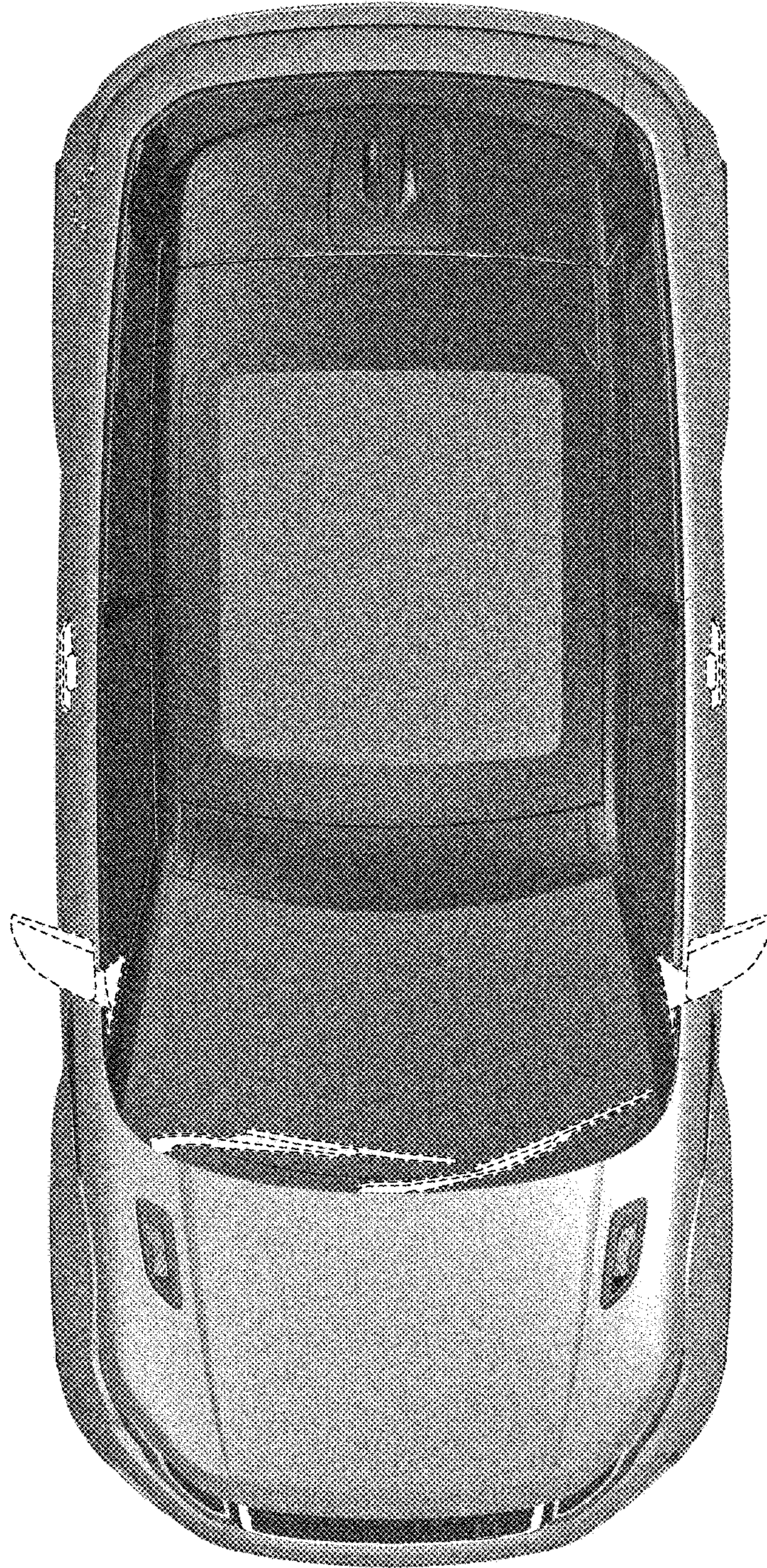


FIG. 14

UNITED STATES PATENT AND TRADEMARK OFFICE  
**CERTIFICATE OF CORRECTION**

PATENT NO. : D805,960 S  
APPLICATION NO. : 29/597742  
DATED : December 26, 2017  
INVENTOR(S) : Andrew Wheel and Jeremy Waterman

Page 1 of 1

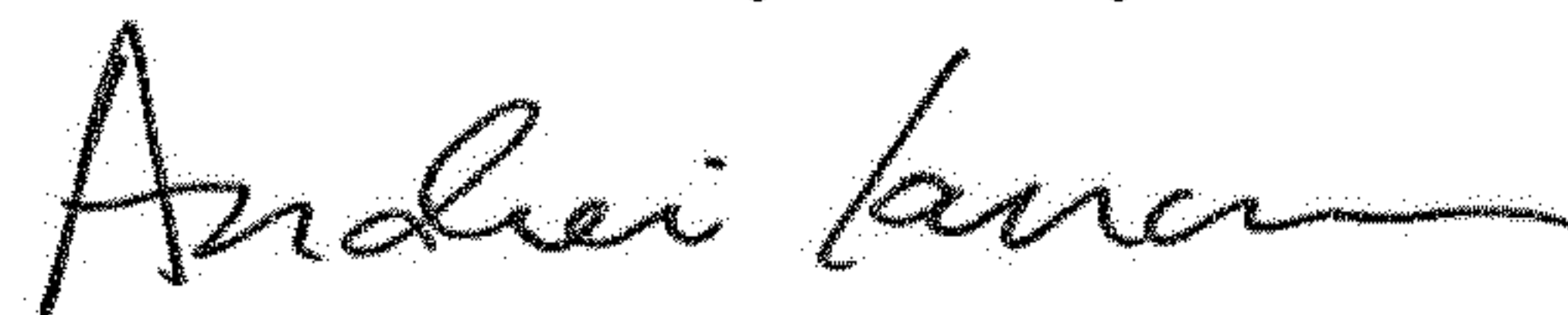
It is certified that error appears in the above-identified patent and that said Letters Patent is hereby corrected as shown below:

On the Title Page

Item (57), Column 2, "Description" Line 2, "... showing my new design;" should read --... showing our new design;--.

Item (57), Column 2, "Description" Line 10, "... showing a second embodiment of my new design;" should read --... showing a second embodiment of our new design;--.

Signed and Sealed this  
Thirtieth Day of July, 2019



Andrei Iancu  
*Director of the United States Patent and Trademark Office*