



US00D805959S

(12) **United States Design Patent**
Wheel et al.

(10) **Patent No.:** **US D805,959 S**

(45) **Date of Patent:** **** Dec. 26, 2017**

(54) **VEHICLE**

(71) Applicant: **Jaguar Land Rover Limited**, Whitley
Coventry (GB)

(72) Inventors: **Andrew Wheel**, Coventry (GB);
Jeremy Waterman, Coventry (GB)

(73) Assignee: **Jaguar Land Rover Limited**, Whitley,
Coventry (GB)

(**) Term: **15 Years**

(21) Appl. No.: **29/594,098**

(22) Filed: **Feb. 15, 2017**

Related U.S. Application Data

(62) Division of application No. 29/527,466, filed on May
19, 2015, now Pat. No. Des. 782,937.

(30) **Foreign Application Priority Data**

Dec. 12, 2014 (EM) 002596593-0004
Dec. 12, 2014 (EM) 002596593-0006
Feb. 19, 2015 (EM) 002637504-0001
Feb. 19, 2015 (EM) 002637587-0006

(51) **LOC (10) Cl.** **12-08**

(52) **U.S. Cl.**
USPC **D12/91**

(58) **Field of Classification Search**
USPC D12/86, 90-92, 88; D21/421, 433, 434;
296/181.1, 181.5
CPC B62D 35/00; B62D 25/00; B62D 25/06;
B62D 33/00
See application file for complete search history.

(56) **References Cited**

U.S. PATENT DOCUMENTS

D684,093 S * 6/2013 Woolley D12/91
D684,094 S * 6/2013 Le Grice D12/91

D716,695 S * 11/2014 Woolley D12/91
D718,188 S * 11/2014 Wheel D12/91
D735,610 S * 8/2015 Wheel D12/91
D746,722 S * 1/2016 Henstridge D12/91
D750,531 S * 3/2016 Watkins D12/91
D750,532 S * 3/2016 Frascella D12/91
D782,936 S * 4/2017 Wheel D12/91
D782,937 S * 4/2017 Wheel D12/91

(Continued)

Primary Examiner — Melody N Brown

(74) *Attorney, Agent, or Firm* — Wood Herron & Evans
LLP

(57) **CLAIM**

The ornamental design for a vehicle, as shown and
described.

DESCRIPTION

FIG. 1 is a front and right side perspective view of a vehicle
showing my new design;

FIG. 2 is a rear and left side perspective view thereof;

FIG. 3 is a front view thereof.

FIG. 4 is a rear view thereof.

FIG. 5 is a left side view thereof.

FIG. 6 is a right side view thereof.

FIG. 7 is a top view thereof.

FIG. 8 is a front and right side perspective view of a vehicle
showing a second embodiment of my new design;

FIG. 9 is a rear and left side perspective of FIG. 8.

FIG. 10 is a front view of FIG. 8.

FIG. 11 is a rear view of FIG. 8.

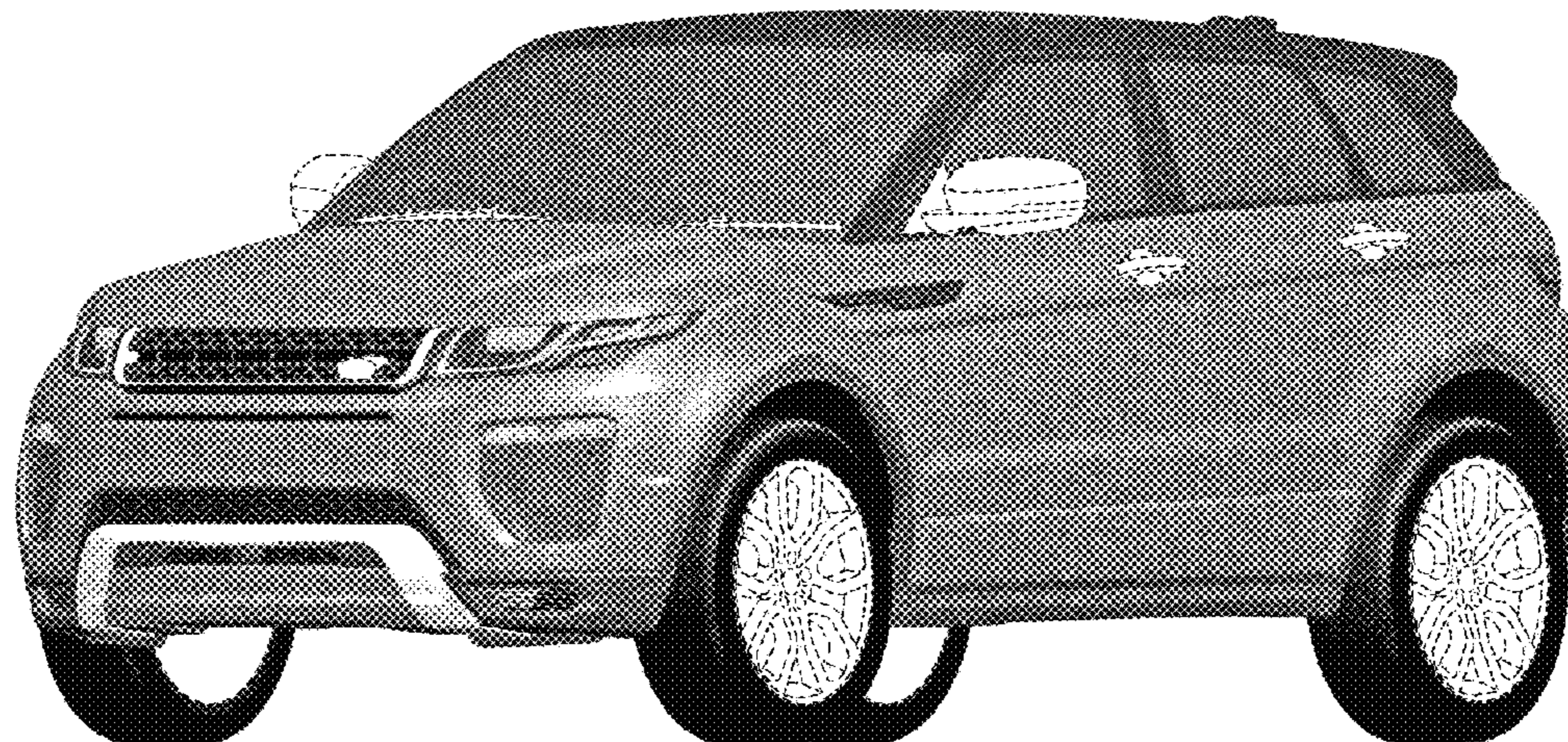
FIG. 12 is a left side view of FIG. 8.

FIG. 13 is a right side view of FIG. 8; and,

FIG. 14 is a top view of FIG. 8.

Any elements shown in broken lines form no part of the
claimed invention, and are instead included to show envi-
ronmental aspects of the claimed invention. Also, broken
lines shown adjacent to any shaded portions form an
unclaimed boundary of the design.

1 Claim, 10 Drawing Sheets



(56)

References Cited

U.S. PATENT DOCUMENTS

D784,855 S * 4/2017 Wheel D12/91
D791,645 S * 7/2017 Henstridge D12/91
D793,907 S * 8/2017 Woolley D12/91

* cited by examiner

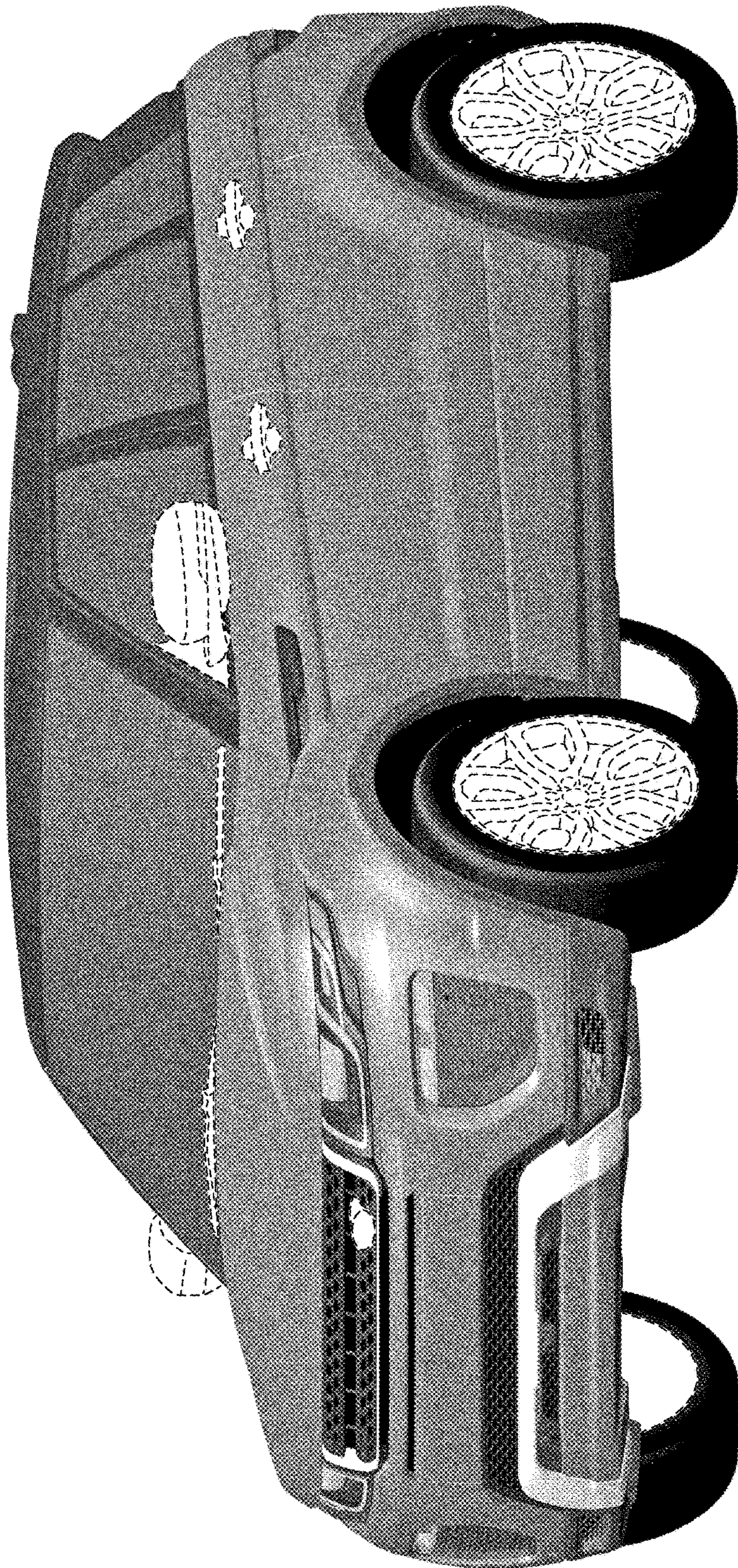


FIG. 1

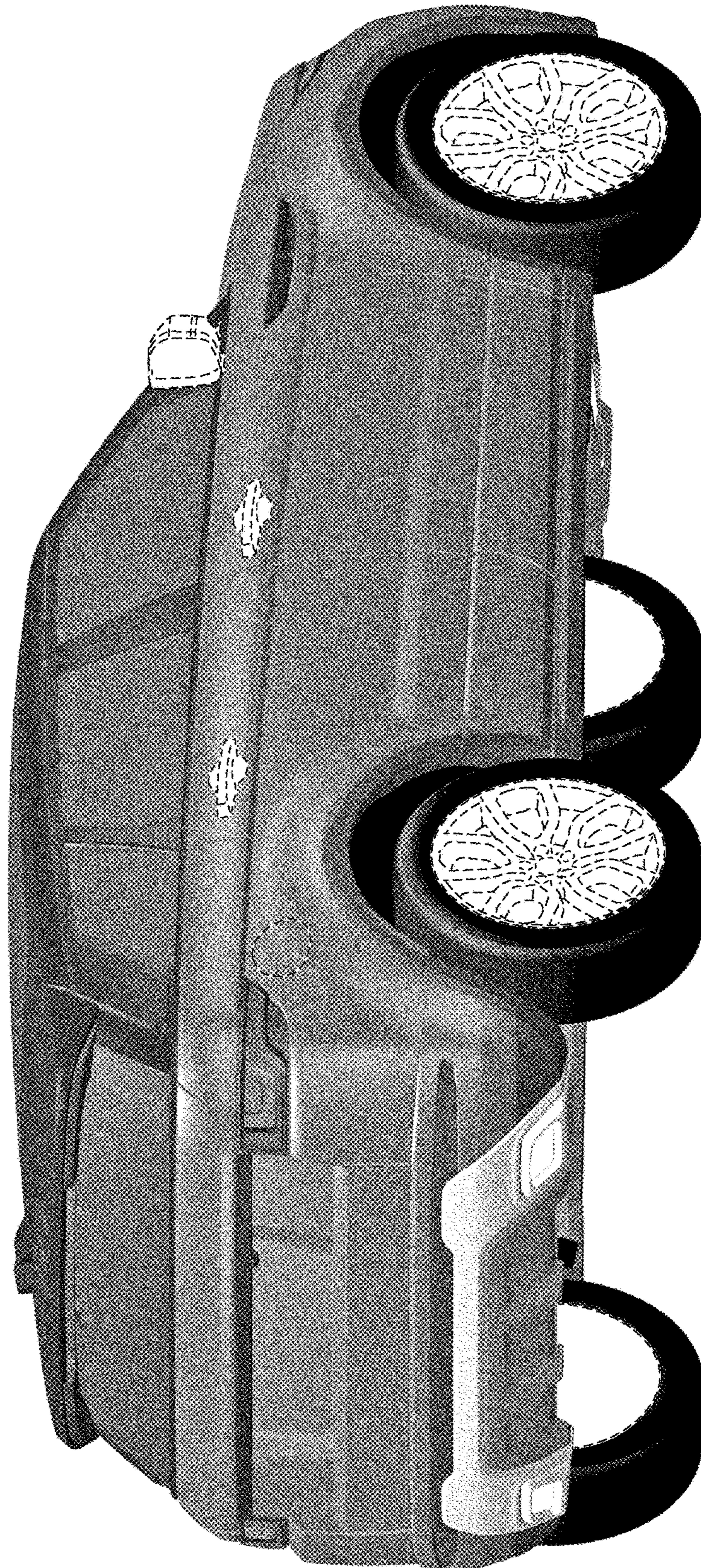


FIG. 2



FIG. 3



FIG. 4

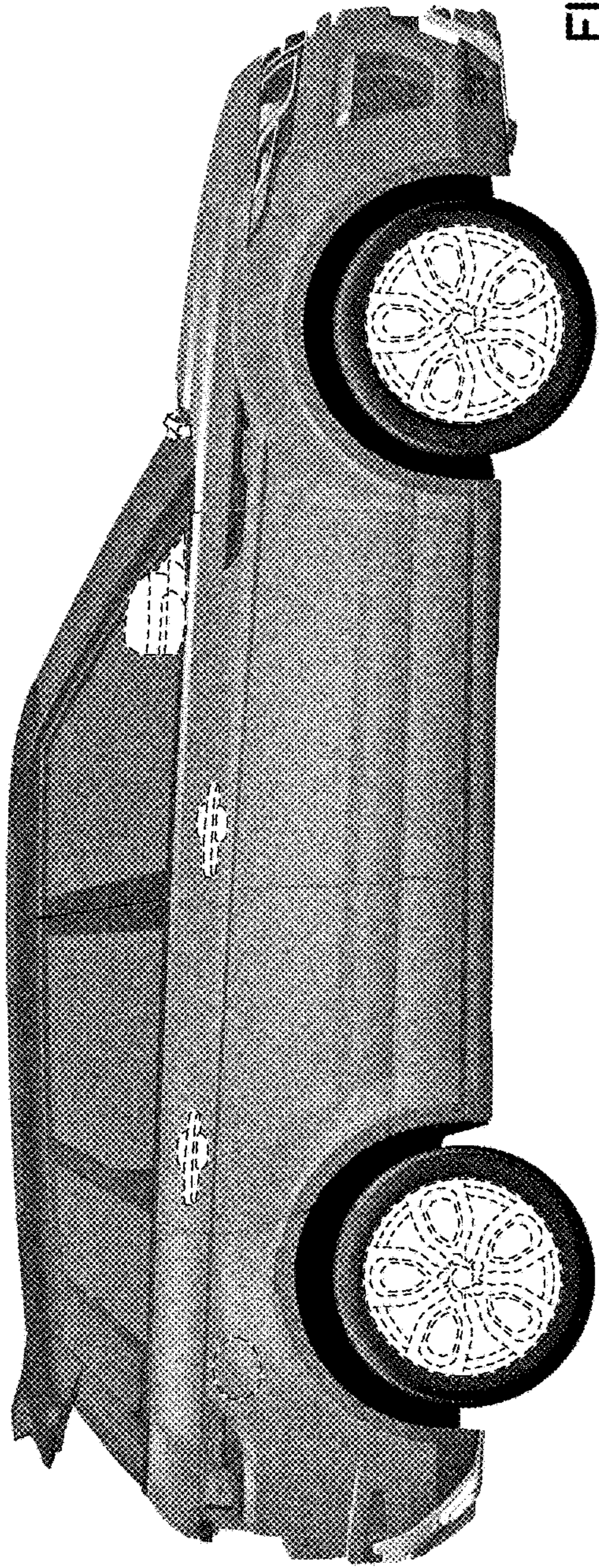


FIG. 5

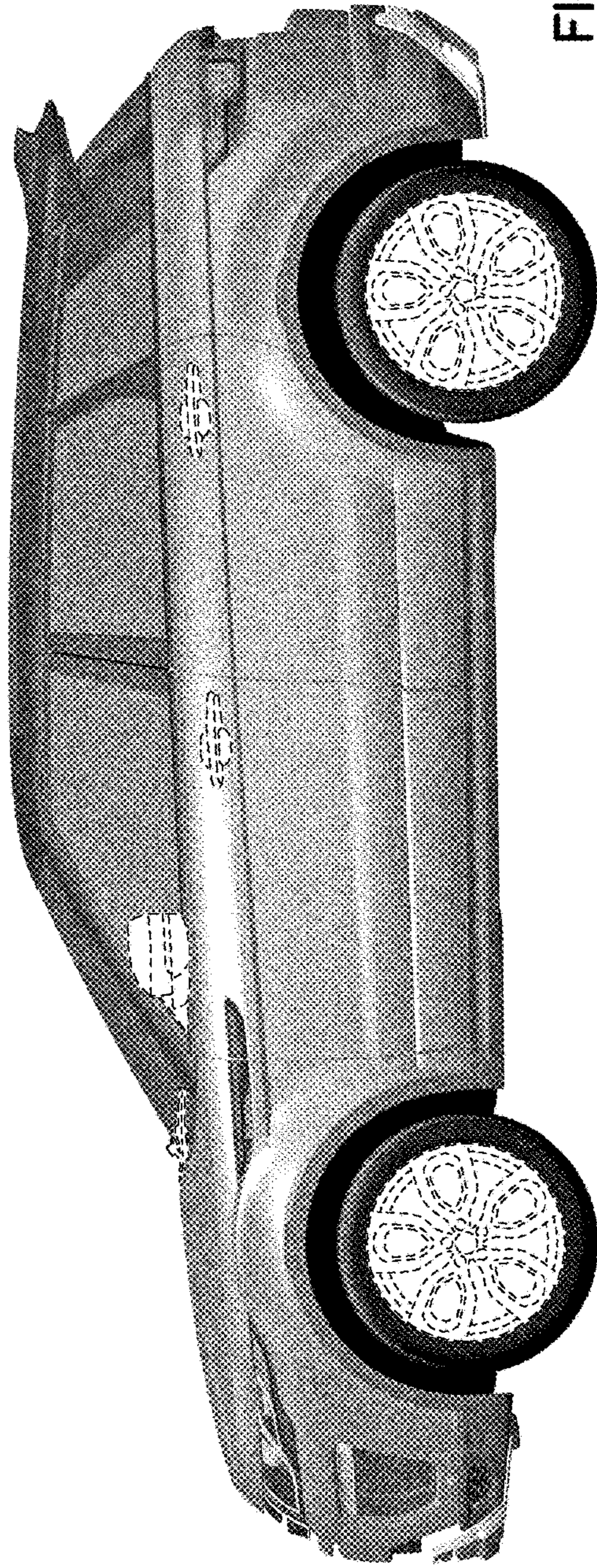


FIG. 6

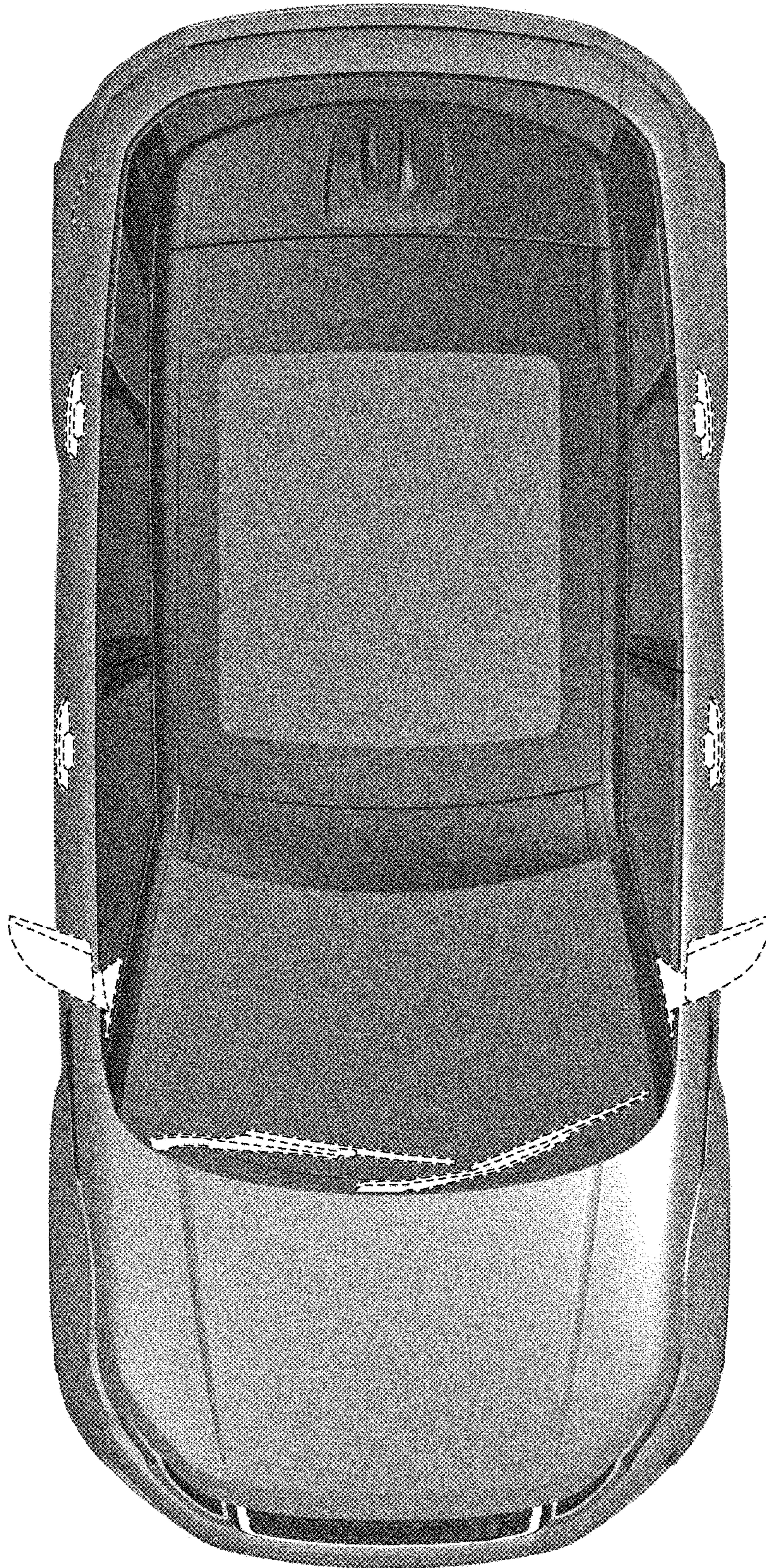


FIG. 7

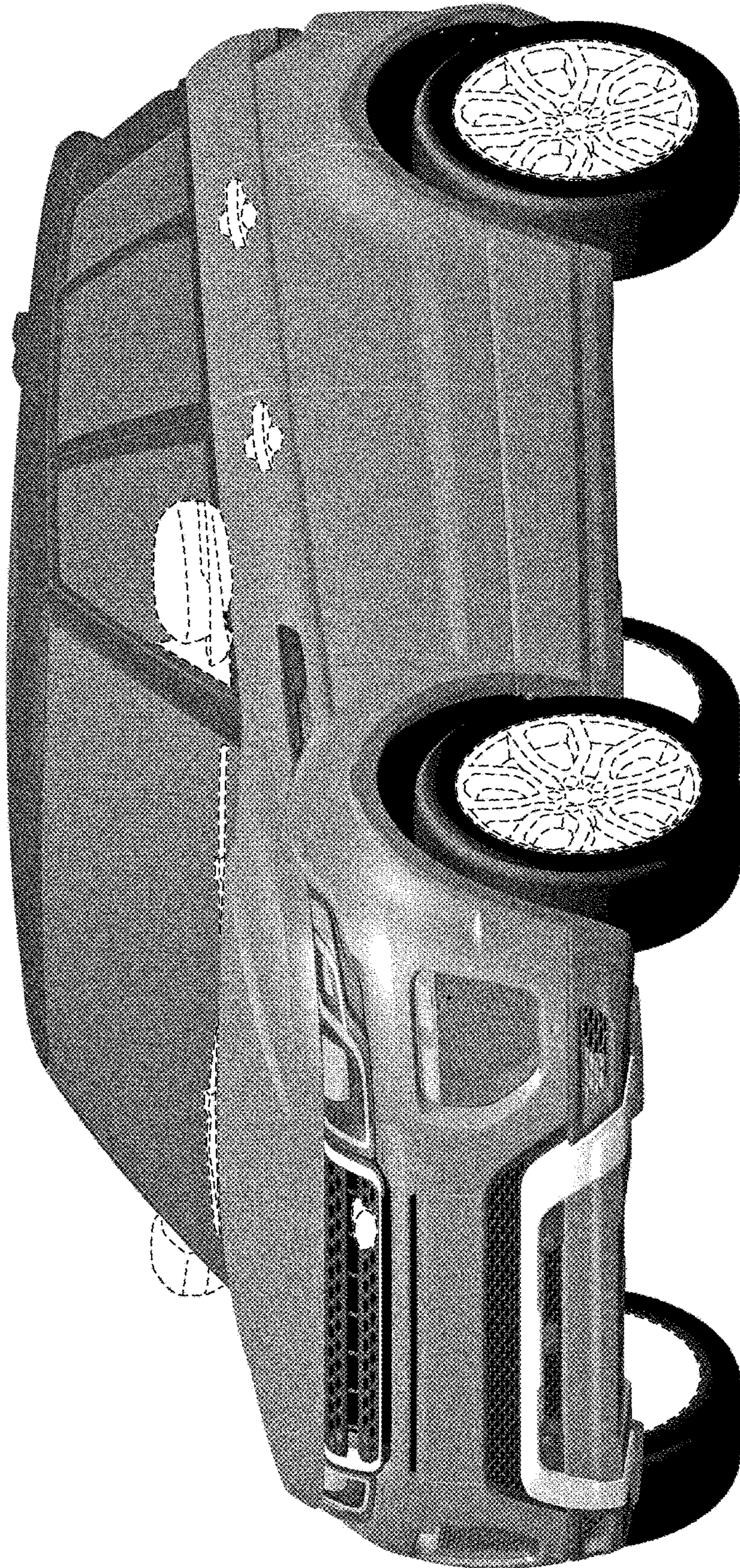


FIG. 8

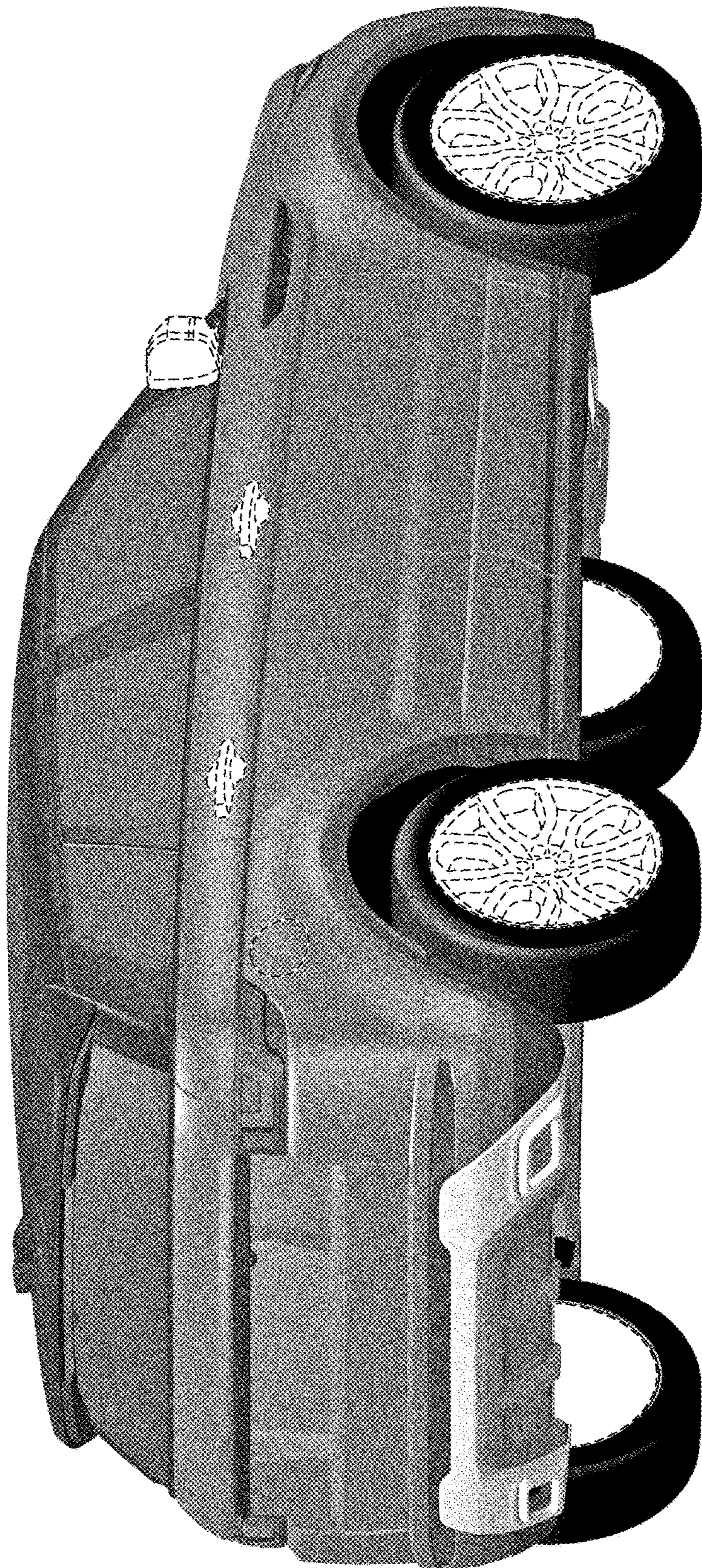


FIG. 9

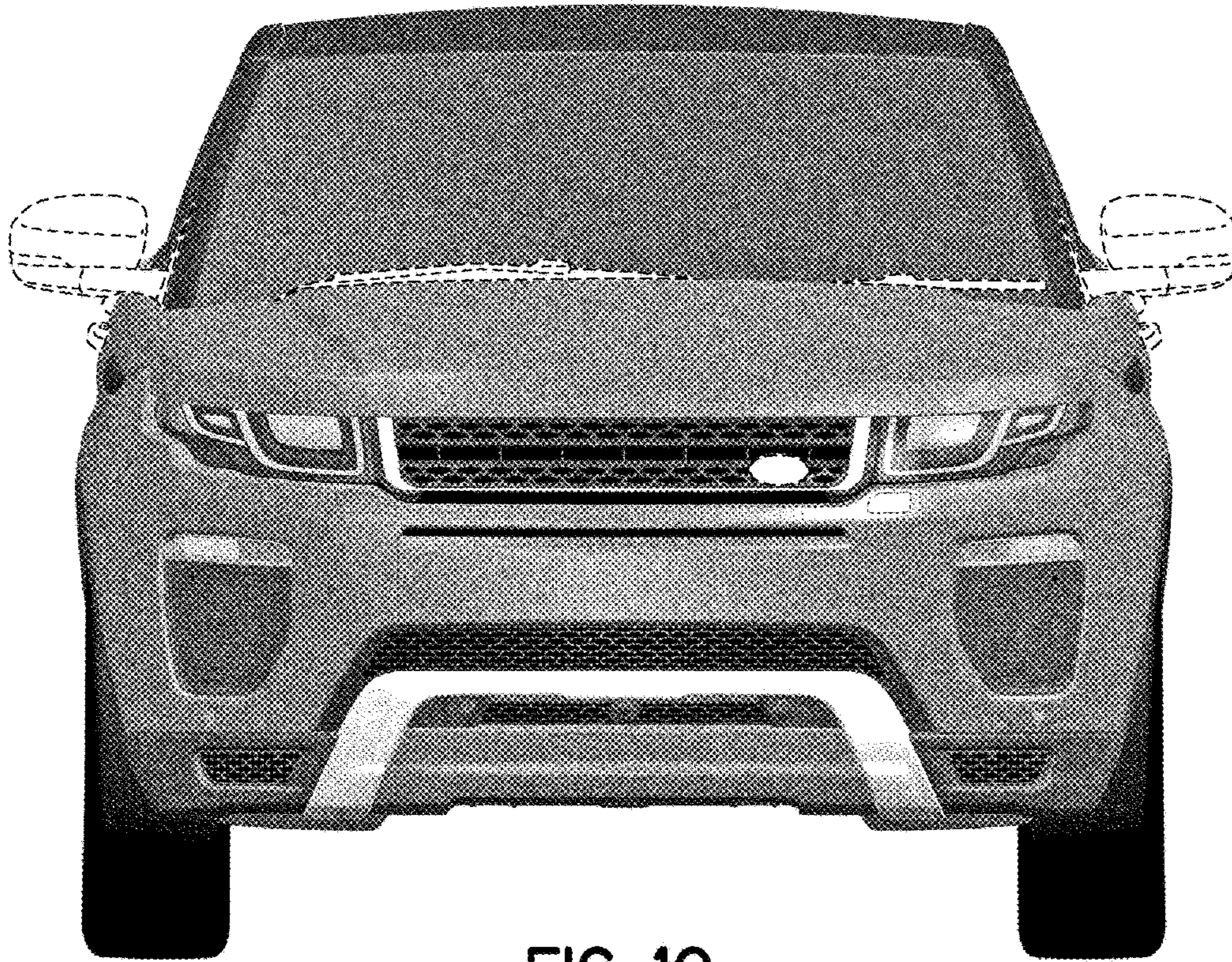


FIG. 10



FIG. 11

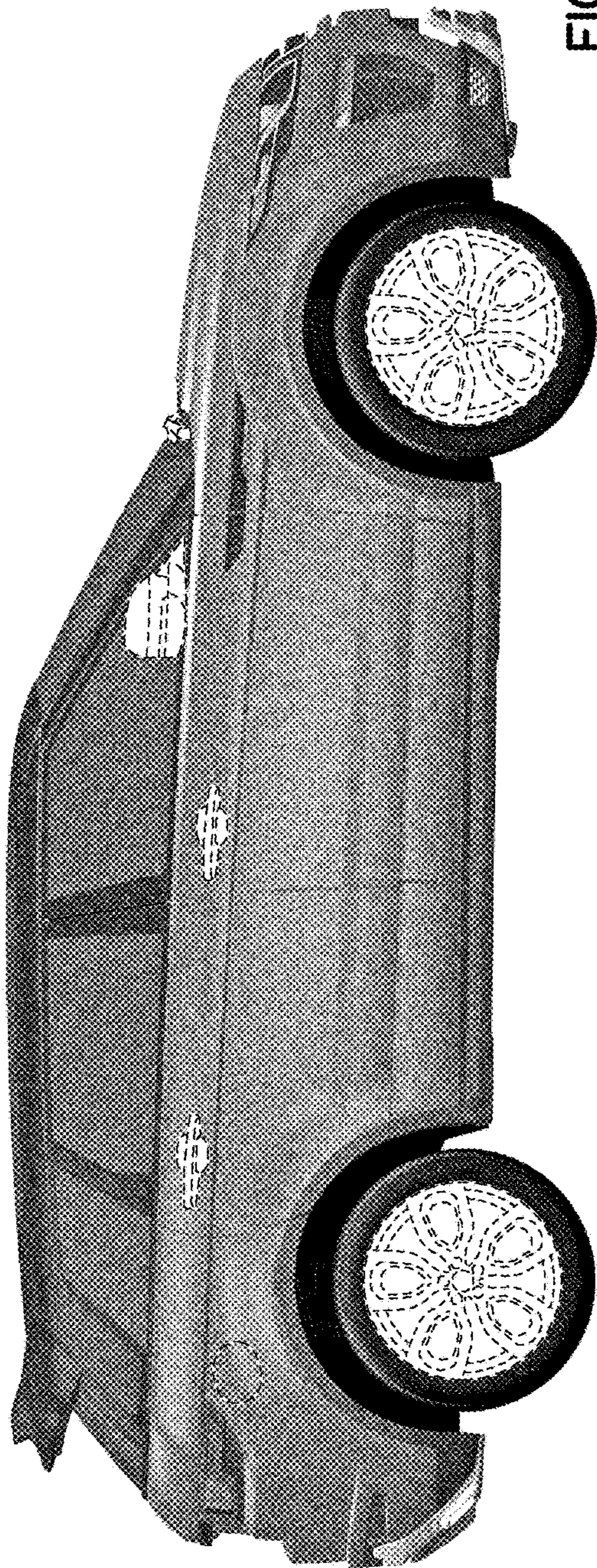


FIG. 12

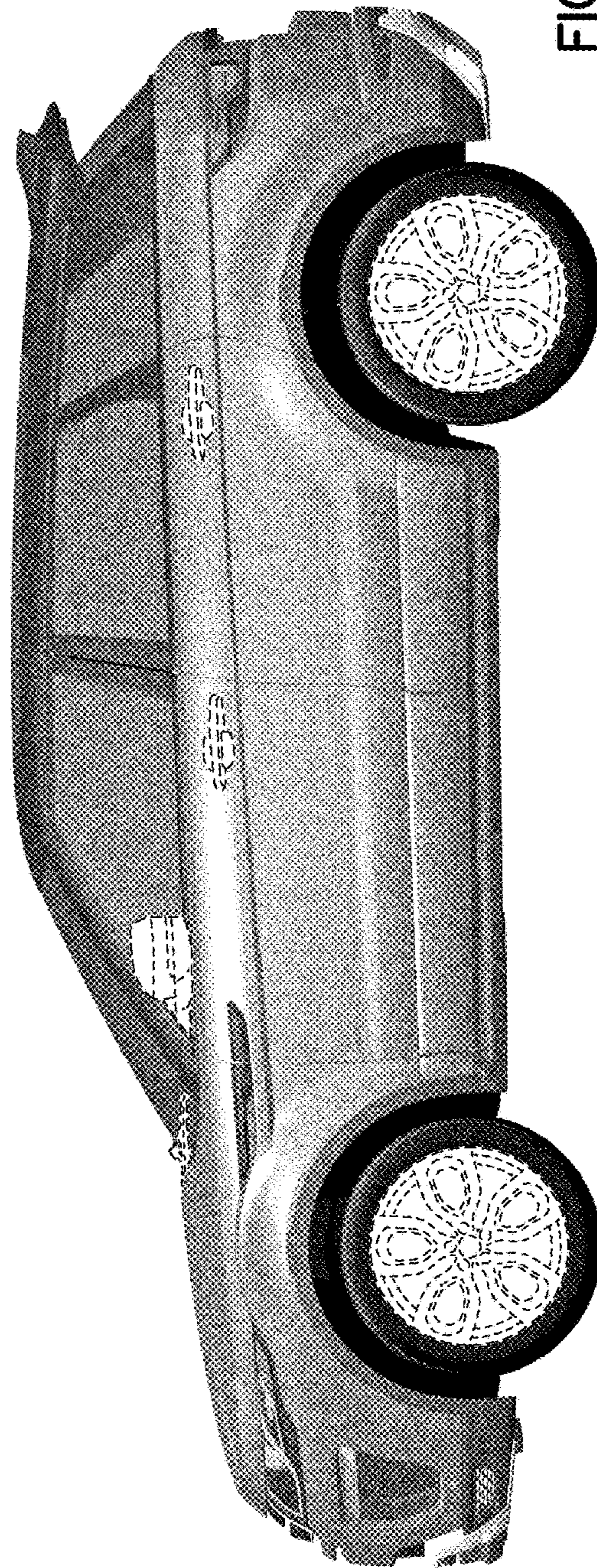


FIG. 13

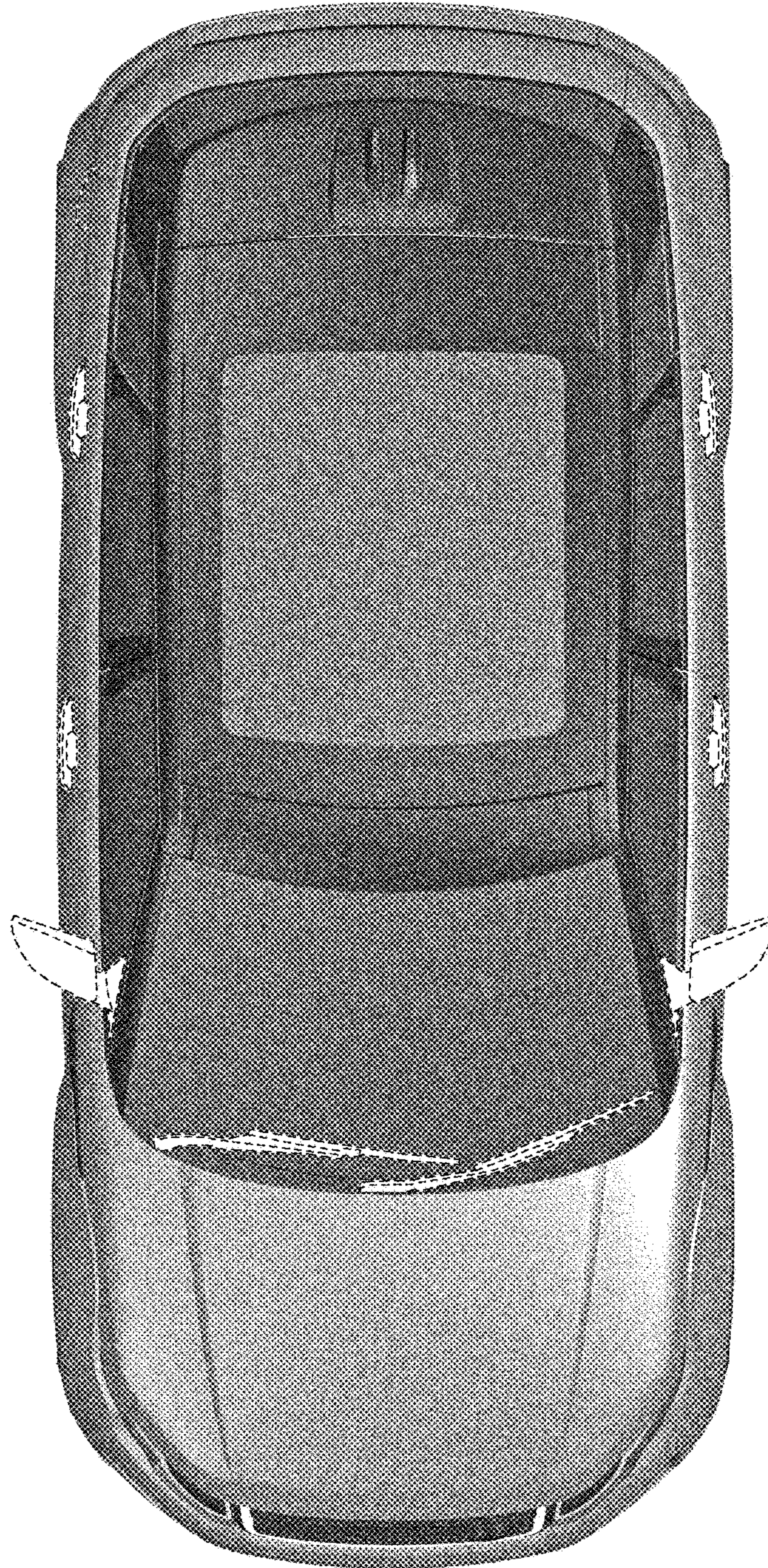


FIG. 14

UNITED STATES PATENT AND TRADEMARK OFFICE
CERTIFICATE OF CORRECTION

PATENT NO. : D805,959 S
APPLICATION NO. : 29/594098
DATED : December 26, 2017
INVENTOR(S) : Andrew Wheel et al.

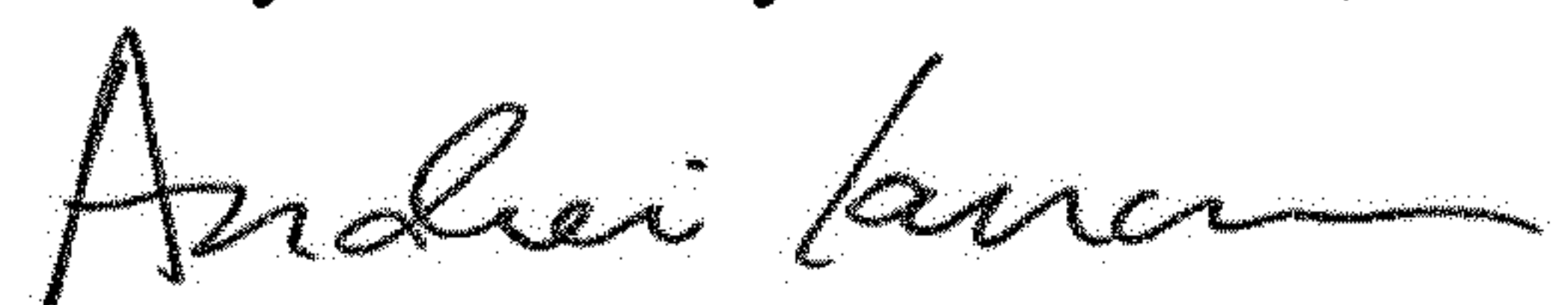
Page 1 of 1

It is certified that error appears in the above-identified patent and that said Letters Patent is hereby corrected as shown below:

Column 2, "Description" Line 2, "... showing my new design;" should read --... showing our new design;--.

Column 2, "Description" Line 10, "... showing a second embodiment of my new design;" should read --... showing a second embodiment of our new design;--.

Signed and Sealed this
Twenty-ninth Day of October, 2019



Andrei Iancu
Director of the United States Patent and Trademark Office