



US00D805957S

(12) **United States Design Patent** (10) **Patent No.:** **US D805,957 S**  
**Seo et al.** (45) **Date of Patent:** **\*\* Dec. 26, 2017**

(54) **AUTOMOBILE AND/OR TOY REPLICA THEREOF**

(71) Applicant: **Nissan Motor Co., Ltd.**, Yokohama, Kanagawa (JP)

(72) Inventors: **Kuniharu Seo**, Kanagawa (JP); **Hiren Patel**, San Diego, CA (US)

(73) Assignee: **Nissan Motor Co., Ltd.**, Yokohama (JP)

(\*\*) Term: **15 Years**

(21) Appl. No.: **29/568,902**

(22) Filed: **Jun. 22, 2016**

(30) **Foreign Application Priority Data**

Dec. 23, 2015 (JP) ..... 2015-028620

(51) **LOC (10) Cl.** ..... **12-08**

(52) **U.S. Cl.**  
USPC ..... **D12/91**

(58) **Field of Classification Search**  
USPC ..... D12/86, 90-92, 88; D21/421, 433, 434;  
296/181.1, 181.5  
CPC ..... B62D 35/00; B62D 25/00; B62D 25/06;  
B62D 33/00  
See application file for complete search history.

(56) **References Cited**

U.S. PATENT DOCUMENTS

D602,399 S 10/2009 Sakae et al.  
D619,500 S 7/2010 Hsu et al.  
D619,502 S 7/2010 Cha  
D630,131 S 1/2011 Dyson  
D630,132 S 1/2011 Jang  
D638,752 S 5/2011 Date et al.  
D647,820 S 11/2011 Jang  
D647,821 S 11/2011 Bischoff et al.

D678,820 S \* 3/2013 Song ..... D12/91  
D684,092 S 6/2013 Lee  
D686,532 S \* 7/2013 Lamm ..... D12/91  
D689,399 S 9/2013 Kim et al.  
D706,170 S 6/2014 Girard et al.  
D706,171 S 6/2014 Bischoff et al.  
D718,187 S \* 11/2014 Hou ..... D12/91  
D728,423 S \* 5/2015 Rupa ..... D12/91  
D731,922 S 6/2015 Beaven

(Continued)

FOREIGN PATENT DOCUMENTS

JP D1433224 S 2/2012  
JP D1433372 S 2/2012

(Continued)

*Primary Examiner* — Melody N Brown

(74) *Attorney, Agent, or Firm* — Global IP Counselors, LLP

(57) **CLAIM**

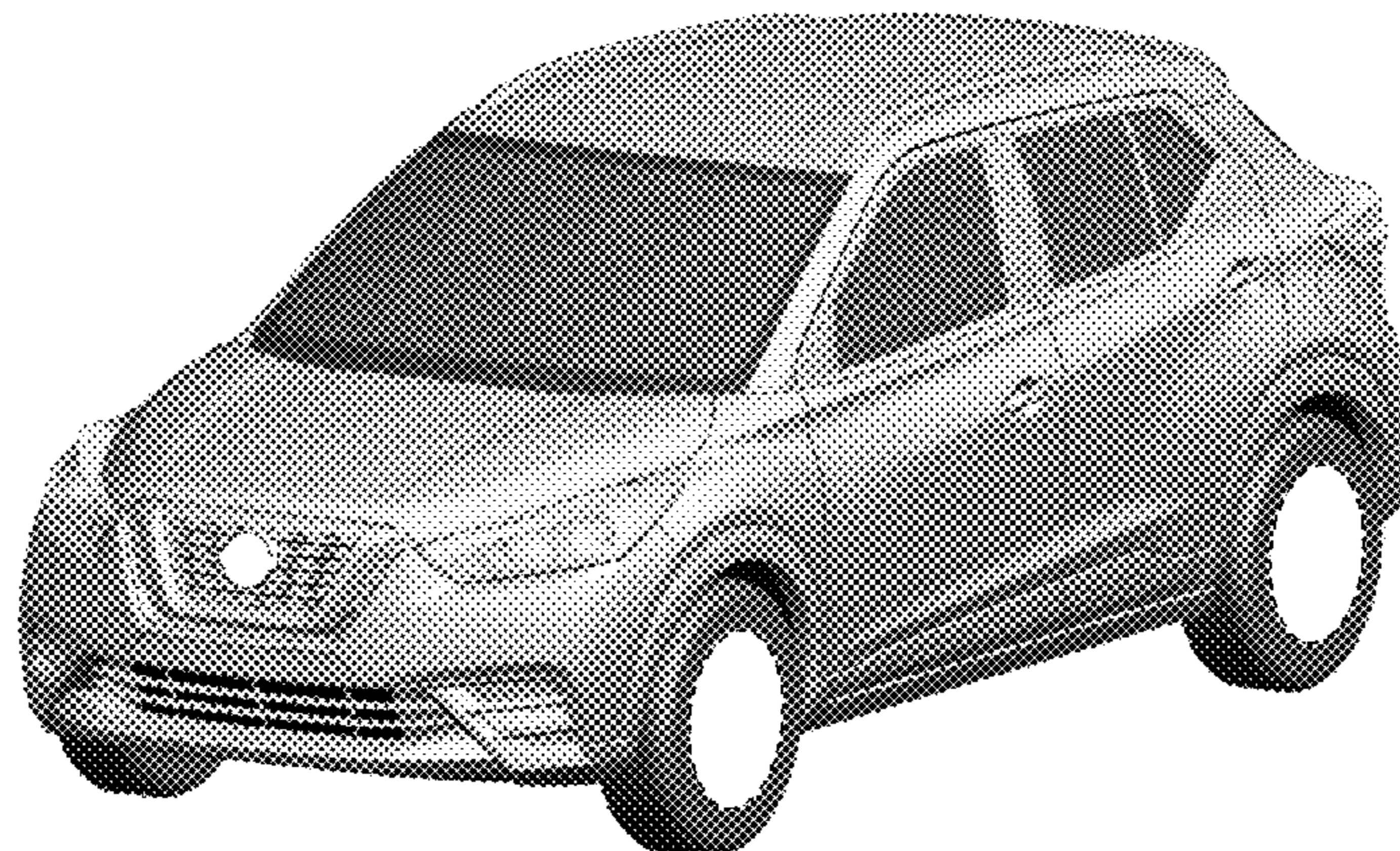
The ornamental design for an automobile and/or toy replica thereof, as shown and described.

**DESCRIPTION**

FIG. 1 is a front elevational view of an automobile and/or replica thereof showing our new design;  
FIG. 2 is a top plan view thereof;  
FIG. 3 is a left side elevational view thereof;  
FIG. 4 is a right side elevational view thereof;  
FIG. 5 is a front and left side perspective view thereof;  
FIG. 6 is a rear and right side perspective view thereof; and,  
FIG. 7 is a rear elevational view thereof.

The hidden surfaces from the bottom, obscured by a rear bumper, the wheels, and inside the wheel wells, but visible in the figures form no part of the claimed design. The broken line showings on the automobile and/or toy replica thereof is for the purpose of illustrating environmental structure and form no part of the claimed design.

**1 Claim, 7 Drawing Sheets**



(56)

**References Cited**

U.S. PATENT DOCUMENTS

D732,433 S \* 6/2015 Aengenheyster ..... D12/91  
D735,611 S \* 8/2015 Aengenheyster ..... D12/91  
D736,119 S \* 8/2015 Kaoud ..... D12/91  
D739,305 S 9/2015 Gunnarson et al.  
D741,752 S \* 10/2015 Messale ..... D12/91  
D759,540 S \* 6/2016 Davidson ..... D12/91

FOREIGN PATENT DOCUMENTS

JP D1478991 S 9/2014  
JP D1517215 S 2/2015  
JP D1501258 S 6/2015  
JP D1475952 S 7/2015  
JP D1550786 S 6/2016  
JP D1554579 S 7/2016  
JP D1567581 S 1/2017  
JP D1568234 S 1/2017

\* cited by examiner

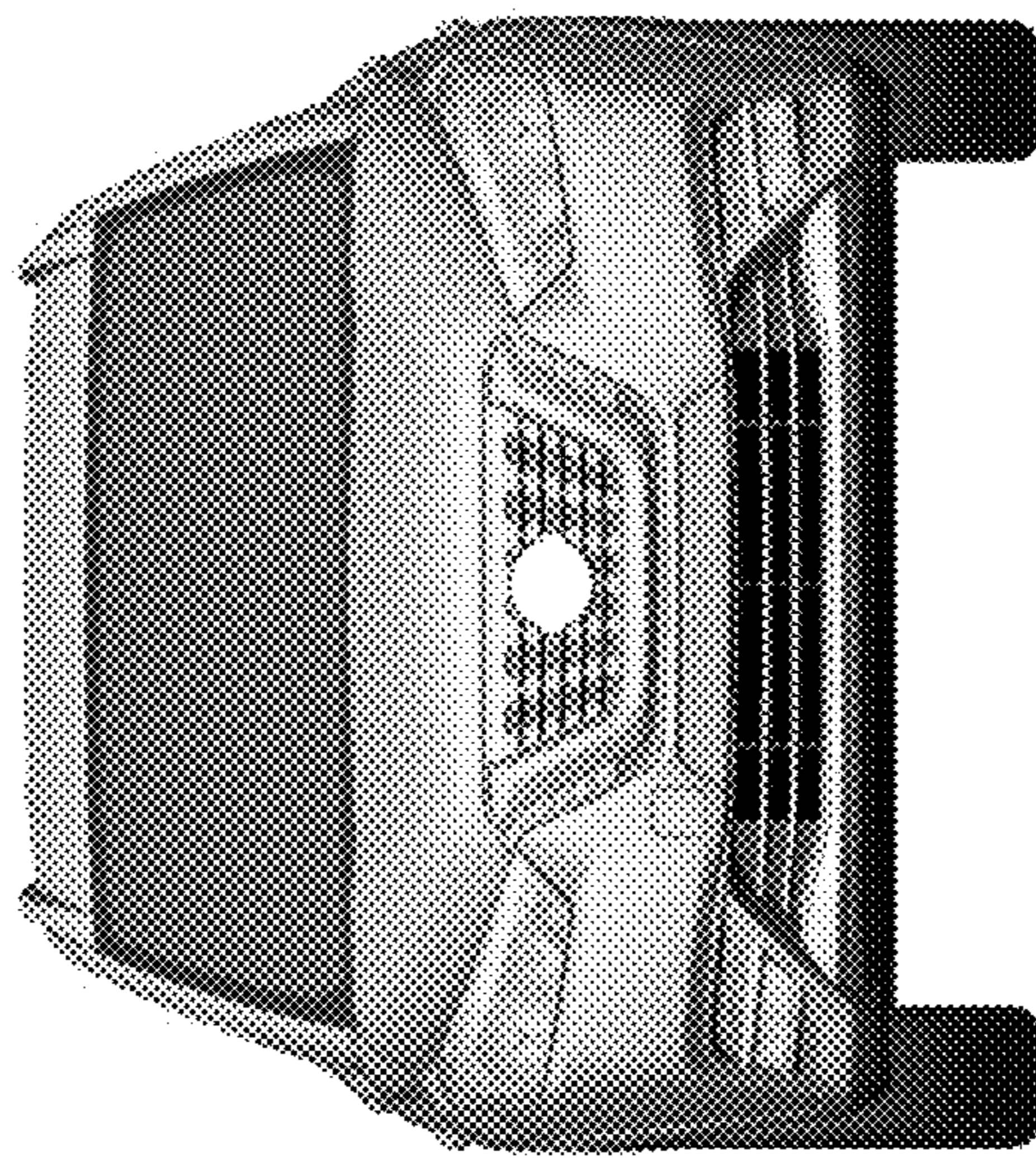


FIG. 1

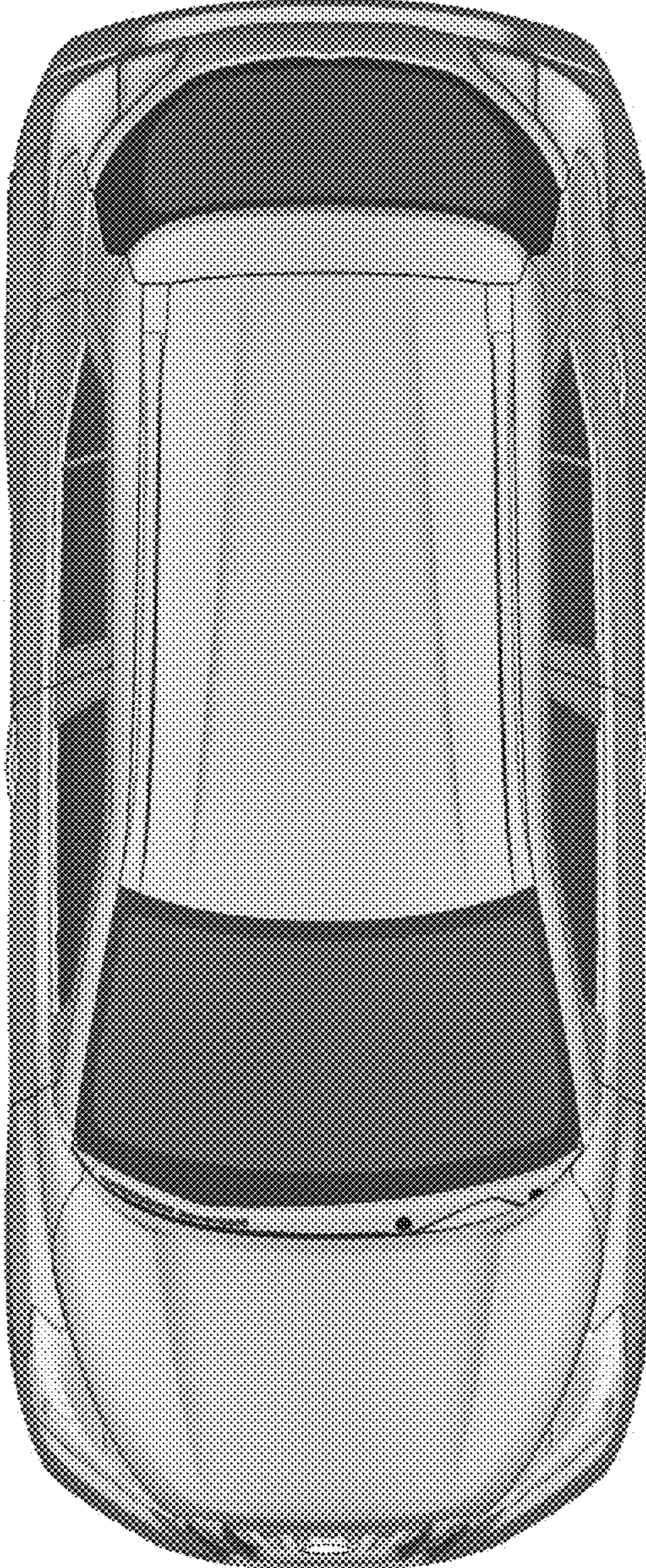


FIG. 2

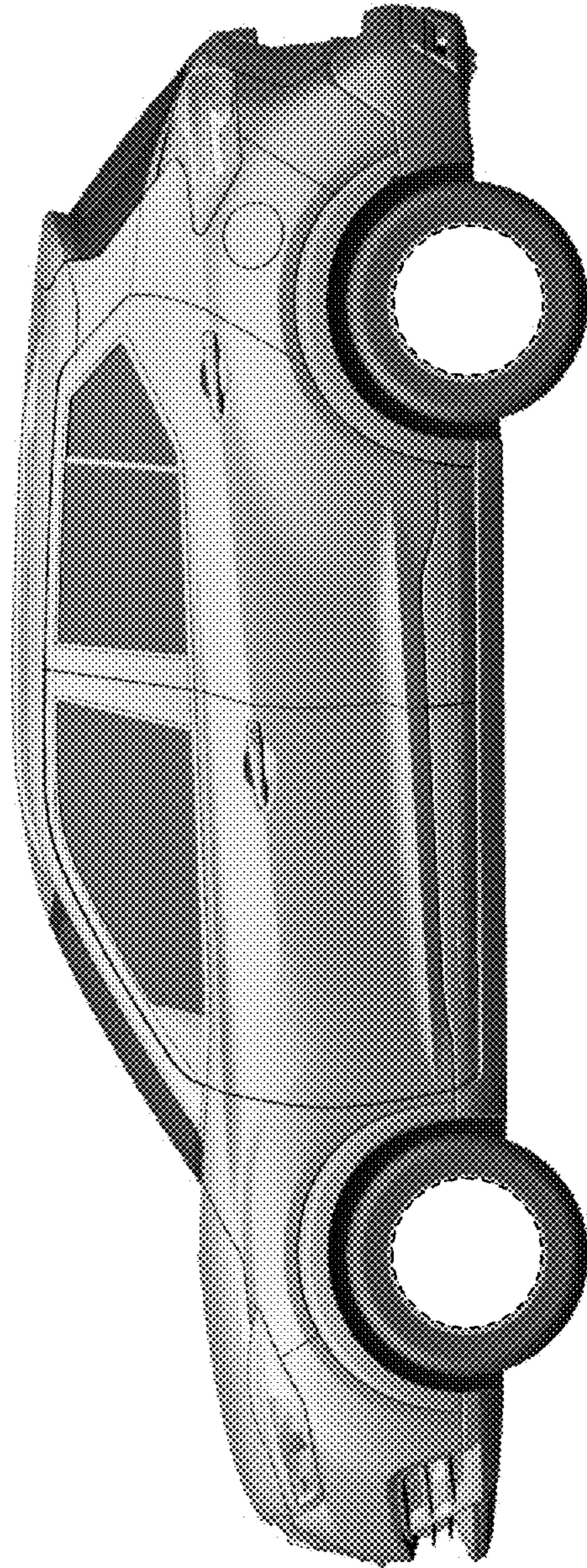


FIG. 3

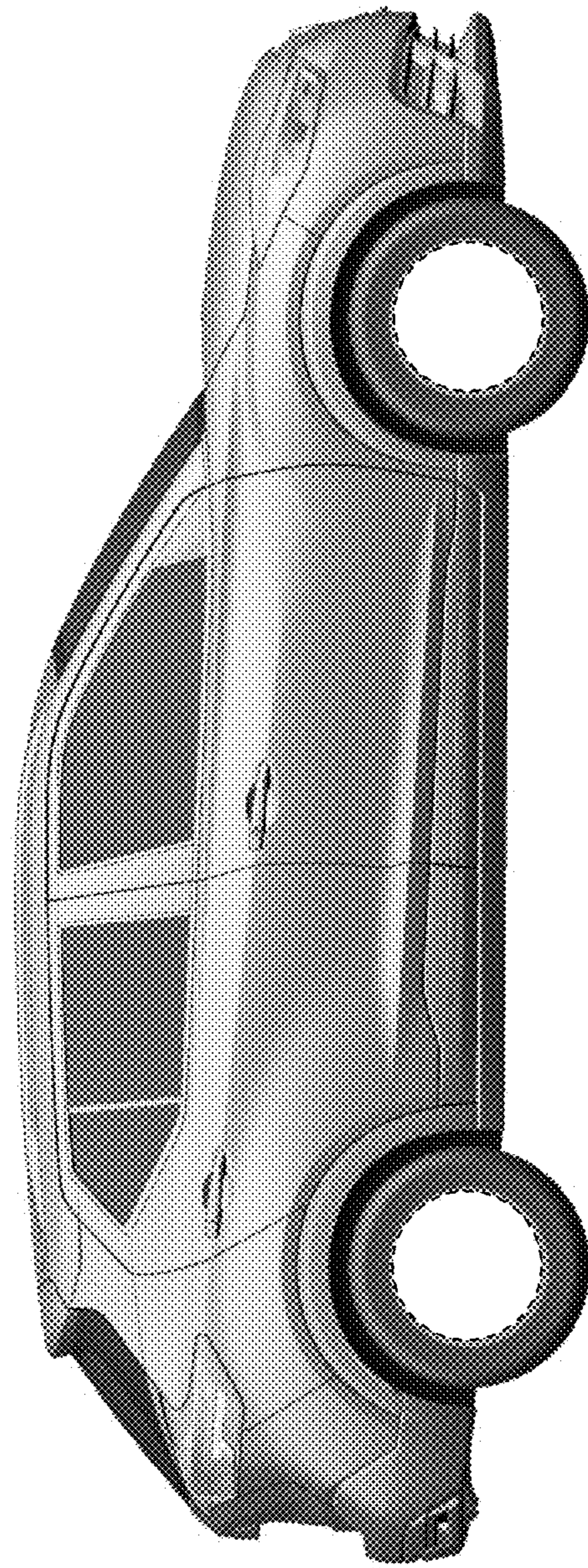


FIG. 4

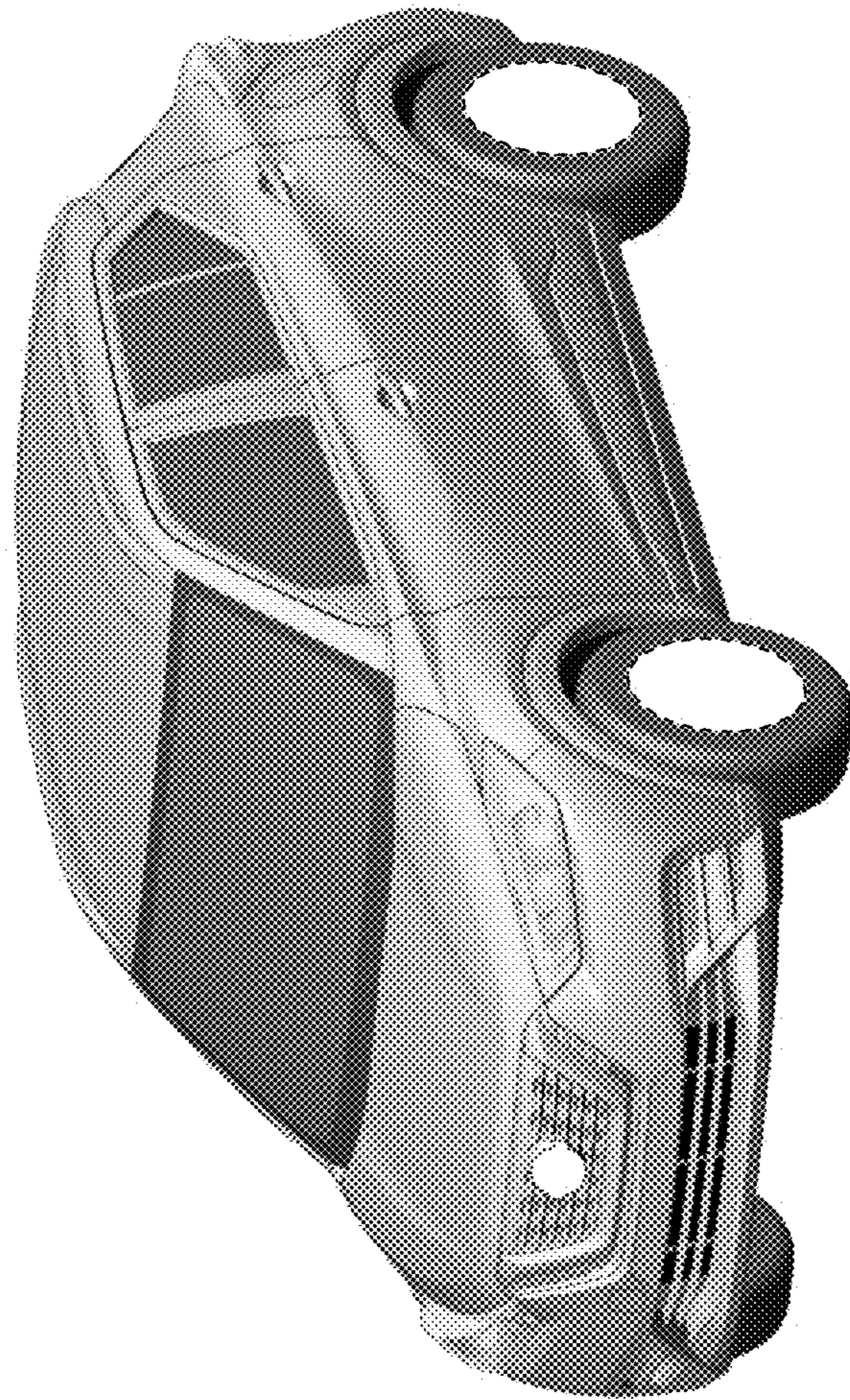


FIG. 5

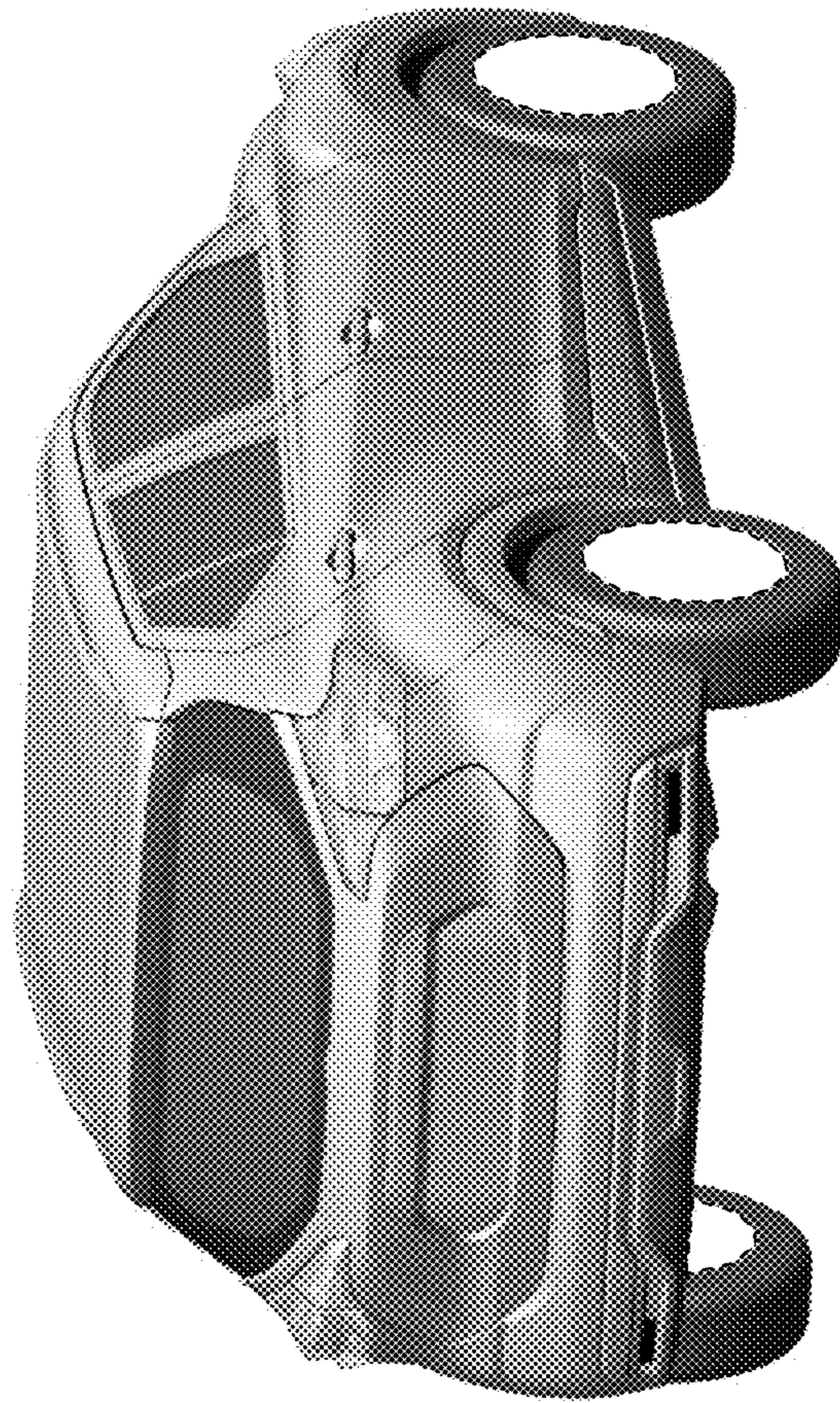


FIG. 6



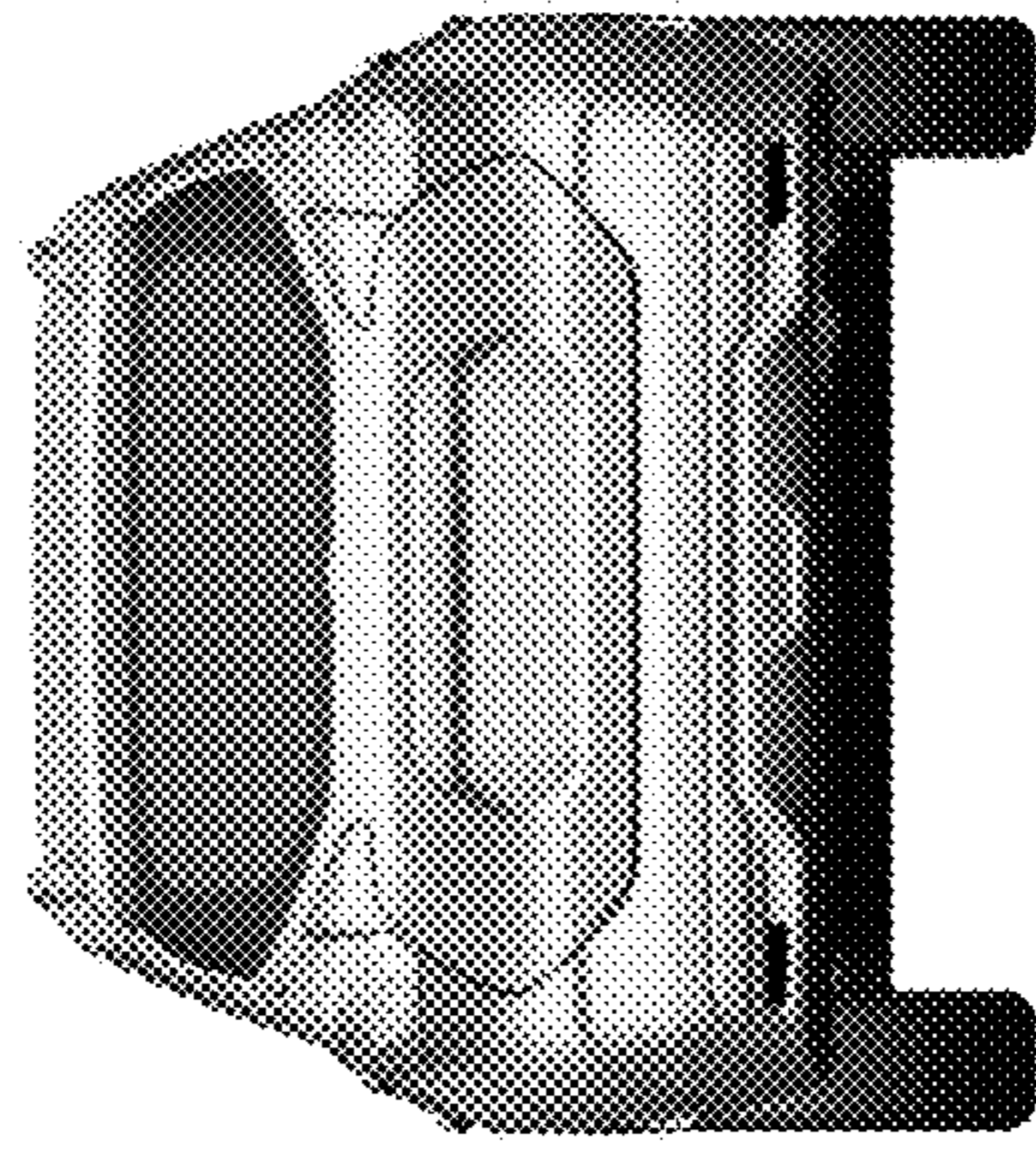


FIG. 7