



US00D805955S

(12) **United States Design Patent** (10) **Patent No.:** **US D805,955 S**
Minson (45) **Date of Patent:** **** Dec. 26, 2017**

(54) **BELT BUCKLE**
(71) Applicant: **John Minson**, Sandy, UT (US)
(72) Inventor: **John Minson**, Sandy, UT (US)
(**) Term: **15 Years**
(21) Appl. No.: **29/558,765**
(22) Filed: **Mar. 21, 2016**

Related U.S. Application Data

(63) Continuation of application No. 14/601,002, filed on Jan. 20, 2015.
(51) **LOC (10) Cl.** **02-07**
(52) **U.S. Cl.**
USPC **D11/218**
(58) **Field of Classification Search**
USPC D11/1-2, 200-201, 206-210, 214-218;
24/163 R, 169-171, 173, 177-179, 191,
24/194-195, 197, 200, 614-616, 625,
24/198, 578.11, 578.1, 163 K, 114;
D2/853, 624
CPC A44B 11/26; A44B 11/25; A44B 11/06;
A44B 11/04
See application file for complete search history.

(56) **References Cited**

U.S. PATENT DOCUMENTS

728,206 A 5/1903 Crafts
867,638 A 10/1907 Boyden
D56,246 S * 9/1920 Alterson 24/616
1,639,226 A 8/1927 Haines
2,133,153 A * 10/1938 Shaulson A44B 11/04
114/144 R

2,231,259 A * 2/1941 Elwell A44B 11/04
24/200
D134,825 S * 1/1943 Petter D11/87
2,343,118 A 2/1944 White
2,569,933 A 10/1951 Johnson
3,064,271 A 11/1962 Kuber
3,104,436 A 9/1963 Ostolaza
D214,336 S * 6/1969 Petter D11/87
3,555,626 A 1/1971 Terada
4,571,783 A 2/1986 Kasai
5,644,822 A 7/1997 Frew
6,553,632 B1 4/2003 Brumpton
D474,713 S * 5/2003 Eddy D11/201
7,107,656 B2 9/2006 Chu
7,404,753 B2 7/2008 Cheng
D768,531 S * 10/2016 Canty-Golden D11/79
2007/0089277 A1 4/2007 Bacalso et al.

* cited by examiner

Primary Examiner — Ralf Seifert
(74) *Attorney, Agent, or Firm* — Thorpe North & Western, LLP

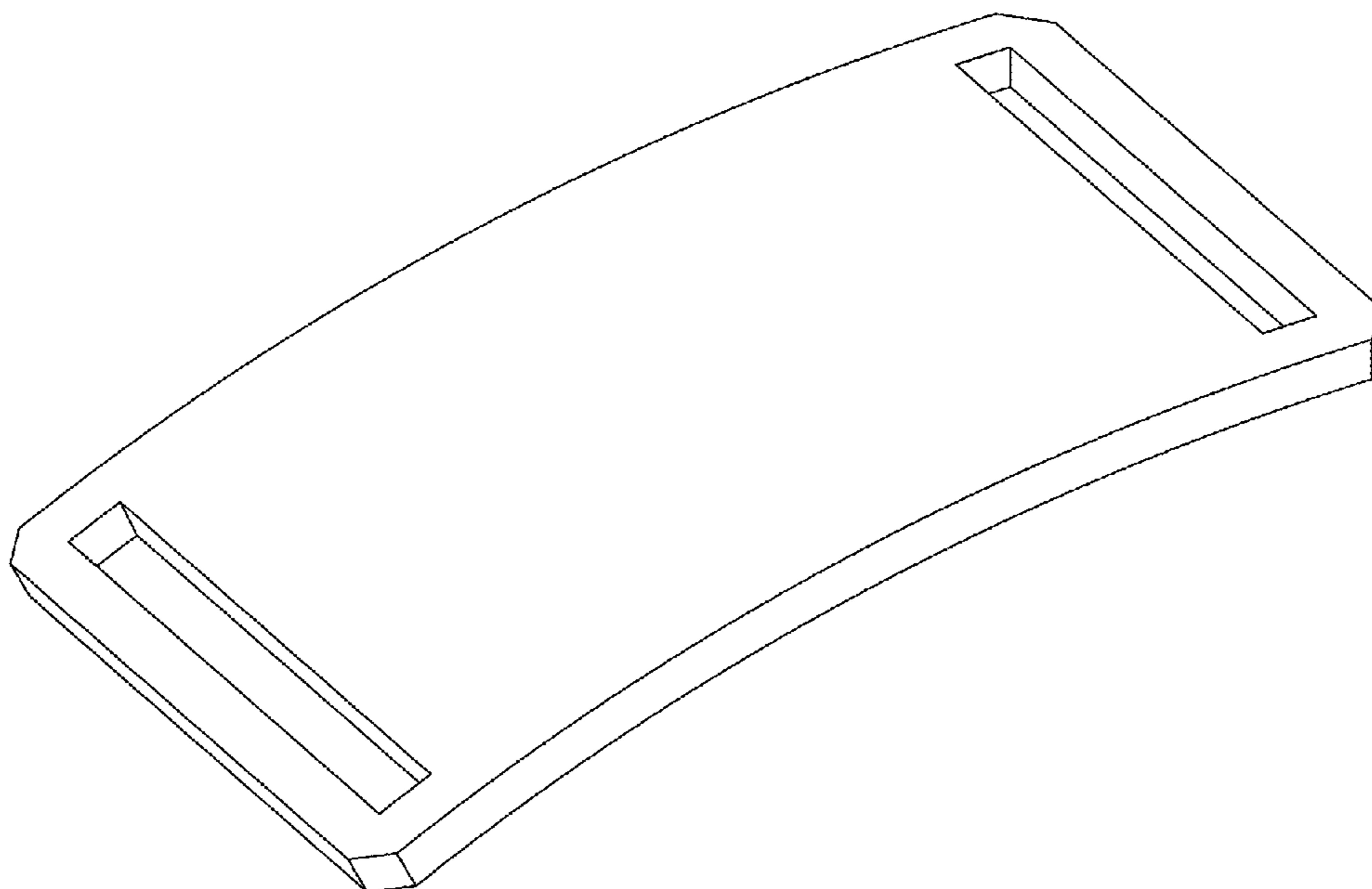
(57) **CLAIM**

The ornamental design for a belt buckle, as shown and described.

DESCRIPTION

FIG. 1 is a perspective front view of a belt buckle in accordance with my invention;
FIG. 2 is a front view thereof;
FIG. 3 is a right view thereof;
FIG. 4 is a left view thereof;
FIG. 5 is a back view thereof;
FIG. 6 is a top view thereof; and,
FIG. 7 is a bottom view thereof.

1 Claim, 5 Drawing Sheets



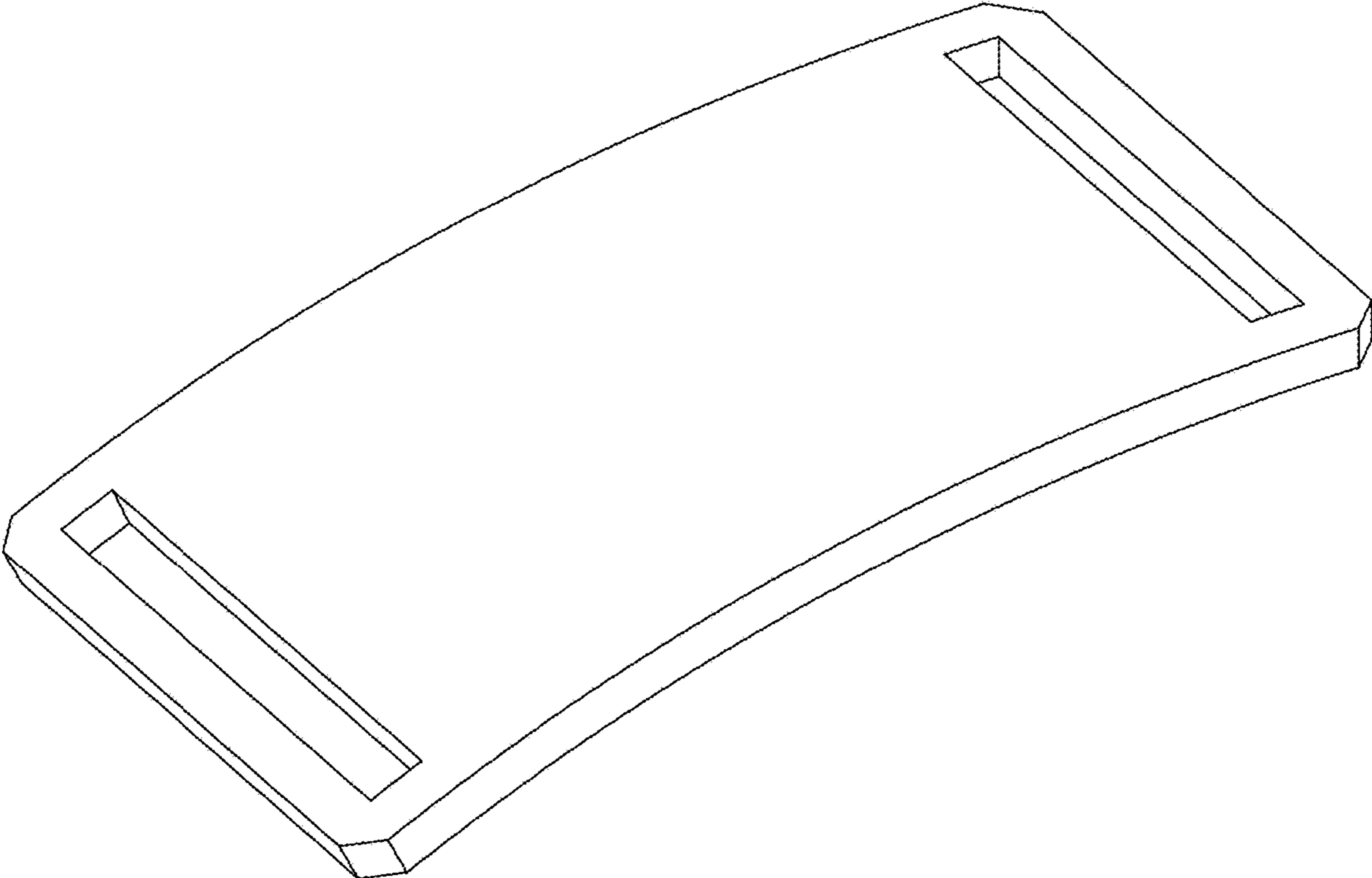


FIG. 1

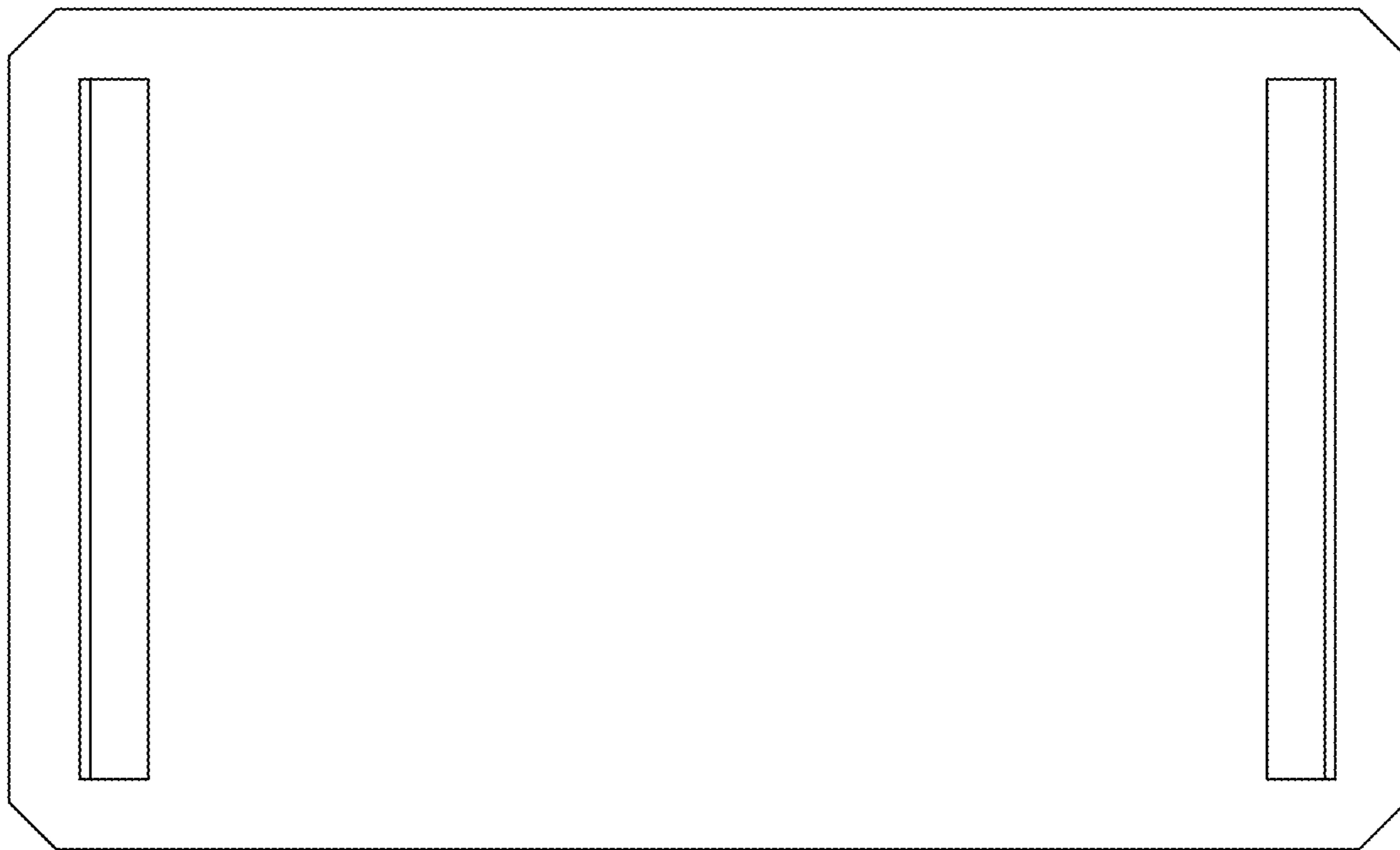


FIG. 2

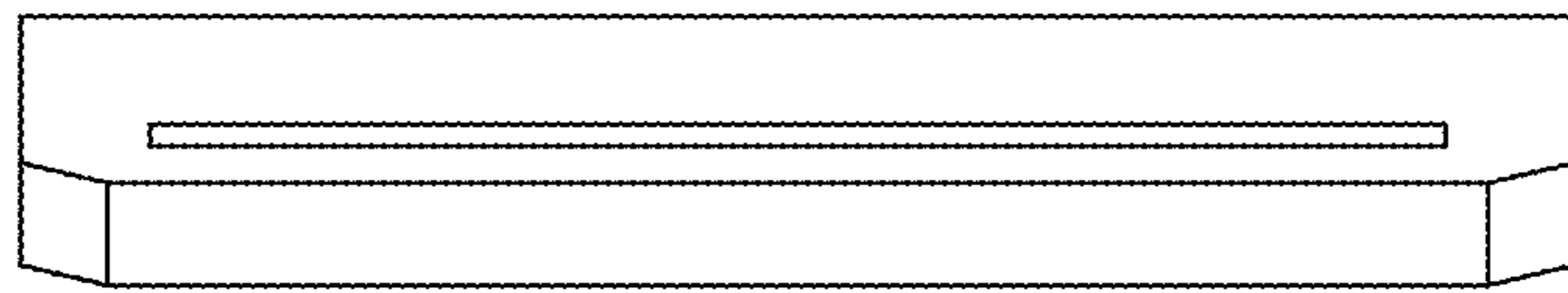


FIG. 3

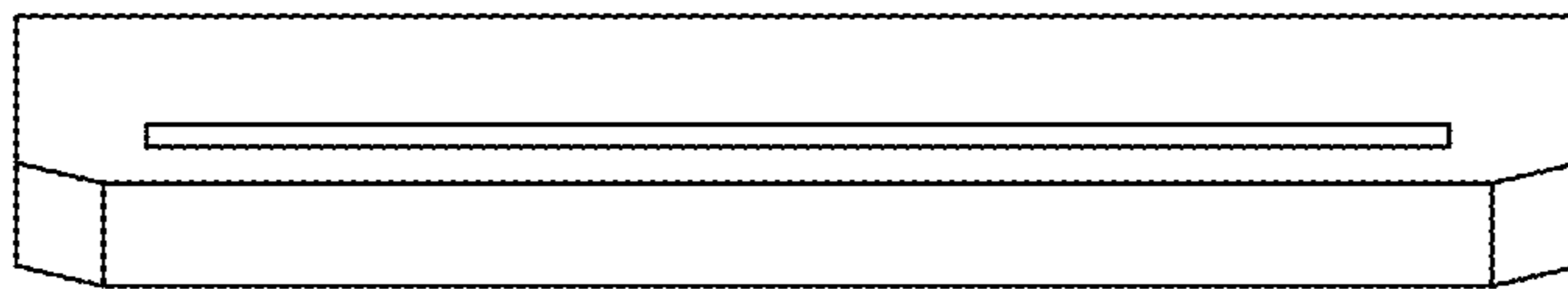


FIG. 4

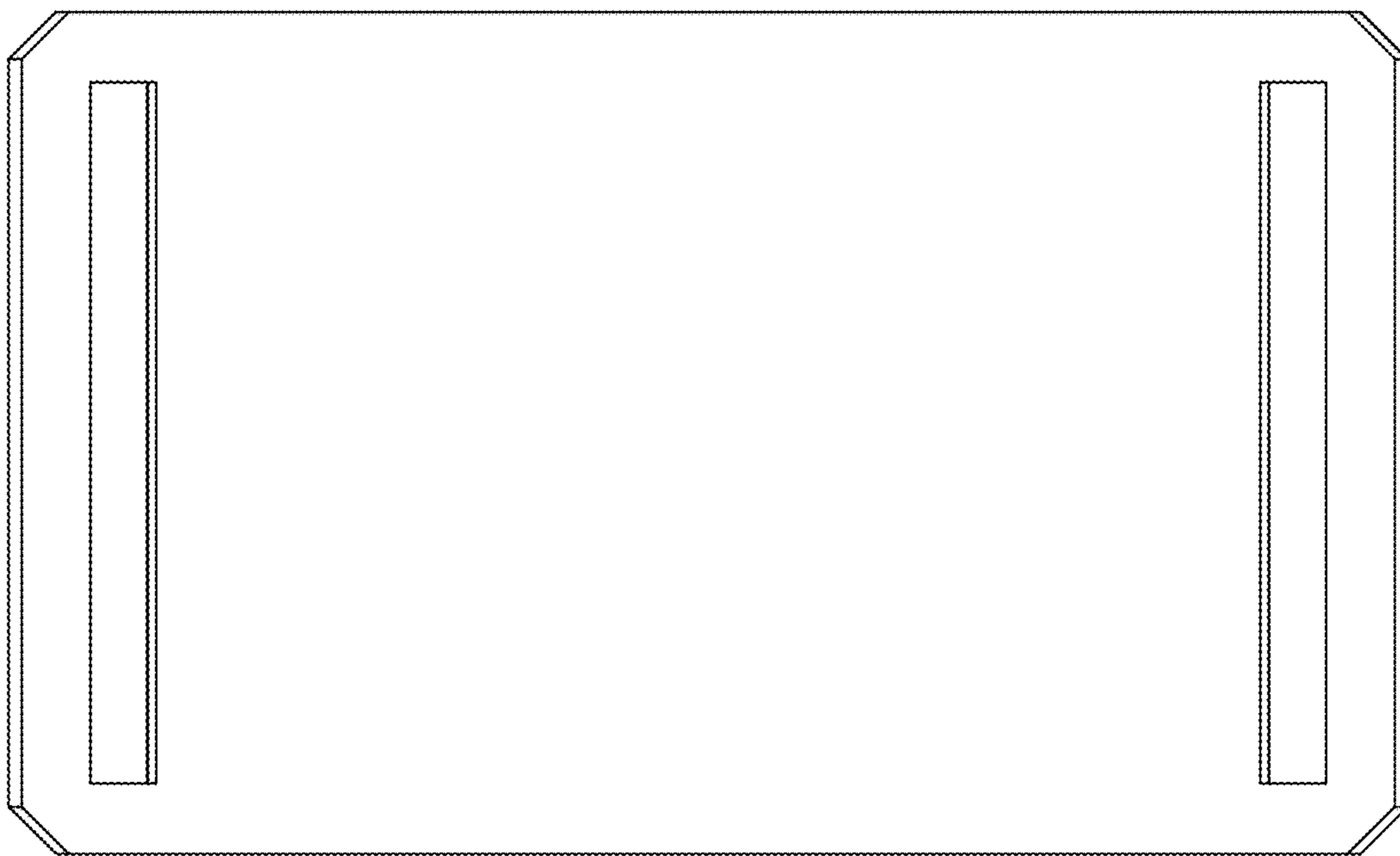


FIG. 5

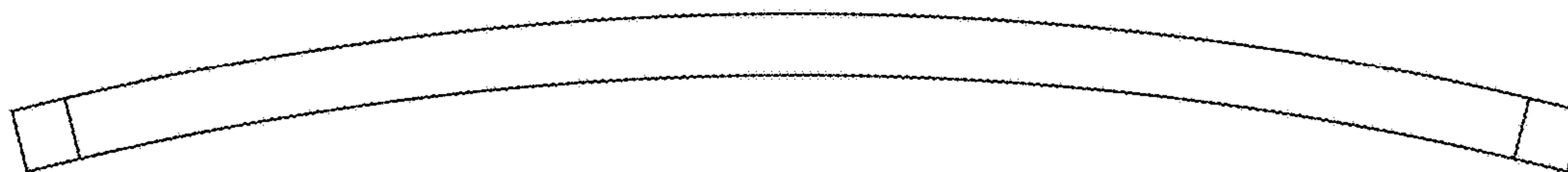


FIG. 6

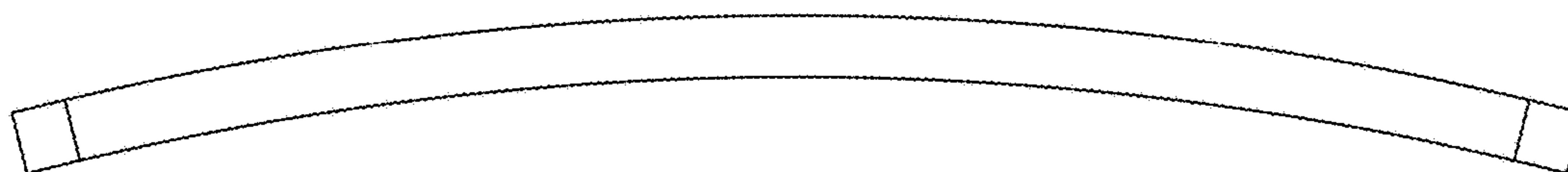


FIG. 7



US00D805955C1

(12) **EX PARTE REEXAMINATION CERTIFICATE** (12200th)
United States Patent
Minson

(10) **Number:** **US D805,955 C1**
(45) **Certificate Issued:** **Jan. 9, 2023**

- (54) **BELT BUCKLE**
- (71) Applicant: **John Minson**, Sandy, UT (US)
- (72) Inventor: **John Minson**, Sandy, UT (US)
- (73) Assignee: **GRIP6 LLC**, Midvale, UT (US)

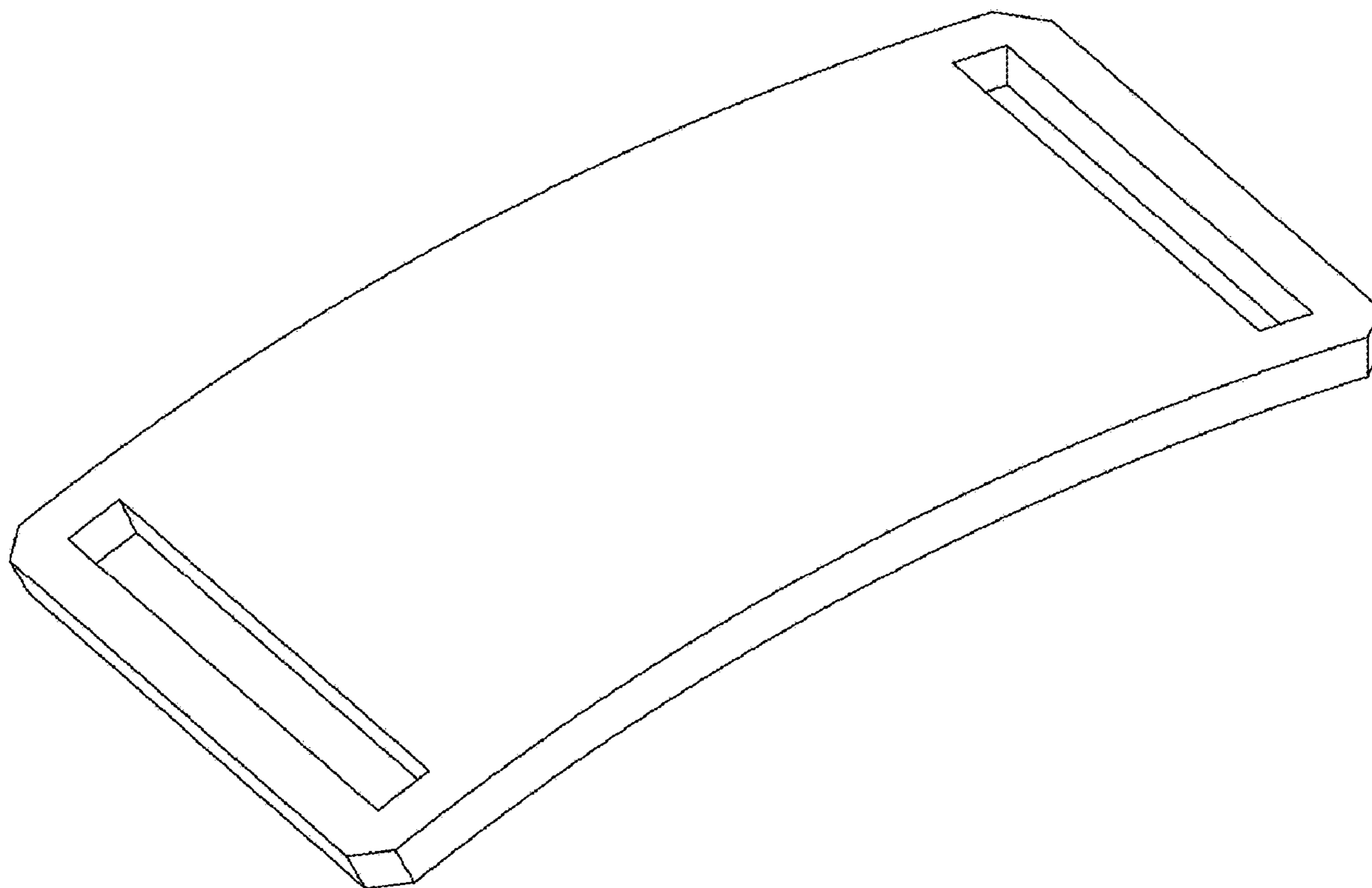
- (52) **U.S. Cl.**
USPC **D11/218**
- (58) **Field of Classification Search**
USPC D11/200, 201, 206, 210, 214, 215, 217,
D11/218
CPC A44B 11/26; A44B 11/25; A44B 1/06;
A44B 11/04
See application file for complete search history.

Reexamination Request:
No. 90/014,895, Nov. 5, 2021

Reexamination Certificate for:
Patent No.: **Des. 805,955**
Issued: **Dec. 26, 2017**
Appl. No.: **29/558,765**
Filed: **Mar. 21, 2016**

- (56) **References Cited**
To view the complete listing of prior art documents cited during the proceeding for Reexamination Control Number 90/014,895, please refer to the USPTO's Patent Electronic System.

(51) **LOC (14) Cl.** **02-07** *Primary Examiner* — Philip S Hyder



1
EX PARTE
REEXAMINATION CERTIFICATE

NO AMENDMENTS HAVE BEEN MADE TO 5
THE PATENT

AS A RESULT OF REEXAMINATION, IT HAS BEEN
DETERMINED THAT:

The patentability of claim 1 is confirmed. 10

* * * * *