



US00D805954S

(12) **United States Design Patent** (10) **Patent No.:** **US D805,954 S**  
**Szewczyk et al.** (45) **Date of Patent:** **\*\* Dec. 26, 2017**

(54) <b>WEB ADJUSTER</b>	3,118,208 A *	1/1964	Wexler .....	A44B 11/2526 24/638
(71) Applicant: <b>Shield Restraint Systems, Inc.,</b> Elkhart, IN (US)	3,165,805 A *	1/1965	Lower .....	A44B 11/2526 24/646
(72) Inventors: <b>Alexander J. Szewczyk,</b> Elkhart, IN (US); <b>Brandon S. Marriott,</b> Goshen, IN (US); <b>David D. Merrick,</b> Rochester, IN (US); <b>Wayne D. Carter,</b> Constantine, MI (US)	3,591,900 A	7/1971	Brown	
	3,898,715 A	8/1975	Balder	
	3,975,800 A	8/1976	Farlind	
	4,051,743 A	10/1977	Gaylord	
	4,118,833 A	10/1978	Knox et al.	
	4,136,422 A	1/1979	Ivanov et al.	
	4,148,224 A	4/1979	Craig	
	D274,861 S *	7/1984	Lindblad .....	D11/216
(73) Assignee: <b>Shield Restraint Systems, Inc.,</b> Elkhart, IN (US)	4,660,889 A	4/1987	Anthony et al.	
	4,679,852 A	7/1987	Anthony et al.	

(Continued)

(\*\*) Term: **15 Years**

**FOREIGN PATENT DOCUMENTS**

(21) Appl. No.: **29/586,083**

CA	2038505	11/2000
CA	2450744	2/2003

(22) Filed: **Nov. 30, 2016**

(Continued)

**Related U.S. Application Data**

(62) Division of application No. 29/512,086, filed on Dec. 16, 2014, now Pat. No. Des. 781,744.

(51) **LOC (10) Cl.** ..... **02-07**

(52) **U.S. Cl.**  
USPC ..... **D11/216**

(58) **Field of Classification Search**  
USPC ..... D11/1-2, 200-201, 206-210, 214-218;  
24/163 R, 169-171, 173, 177-179, 191,  
24/194-195, 197, 200, 614-616, 625,  
24/198, 578.11, 578.1, 163 K, 114  
CPC ..... A44B 11/26; A44B 11/25; A44B 11/06  
See application file for complete search history.

(56) **References Cited**

**U.S. PATENT DOCUMENTS**

1,079,080 A	11/1913	Ward	
1,438,898 A	12/1922	Carpmill	
2,938,254 A	5/1960	Gaylord	
D188,897 S *	9/1960	Prete, Jr. ....	D11/216

Primary Examiner — Ralf T Seifert

(74) *Attorney, Agent, or Firm* — Perkins Coie LLP

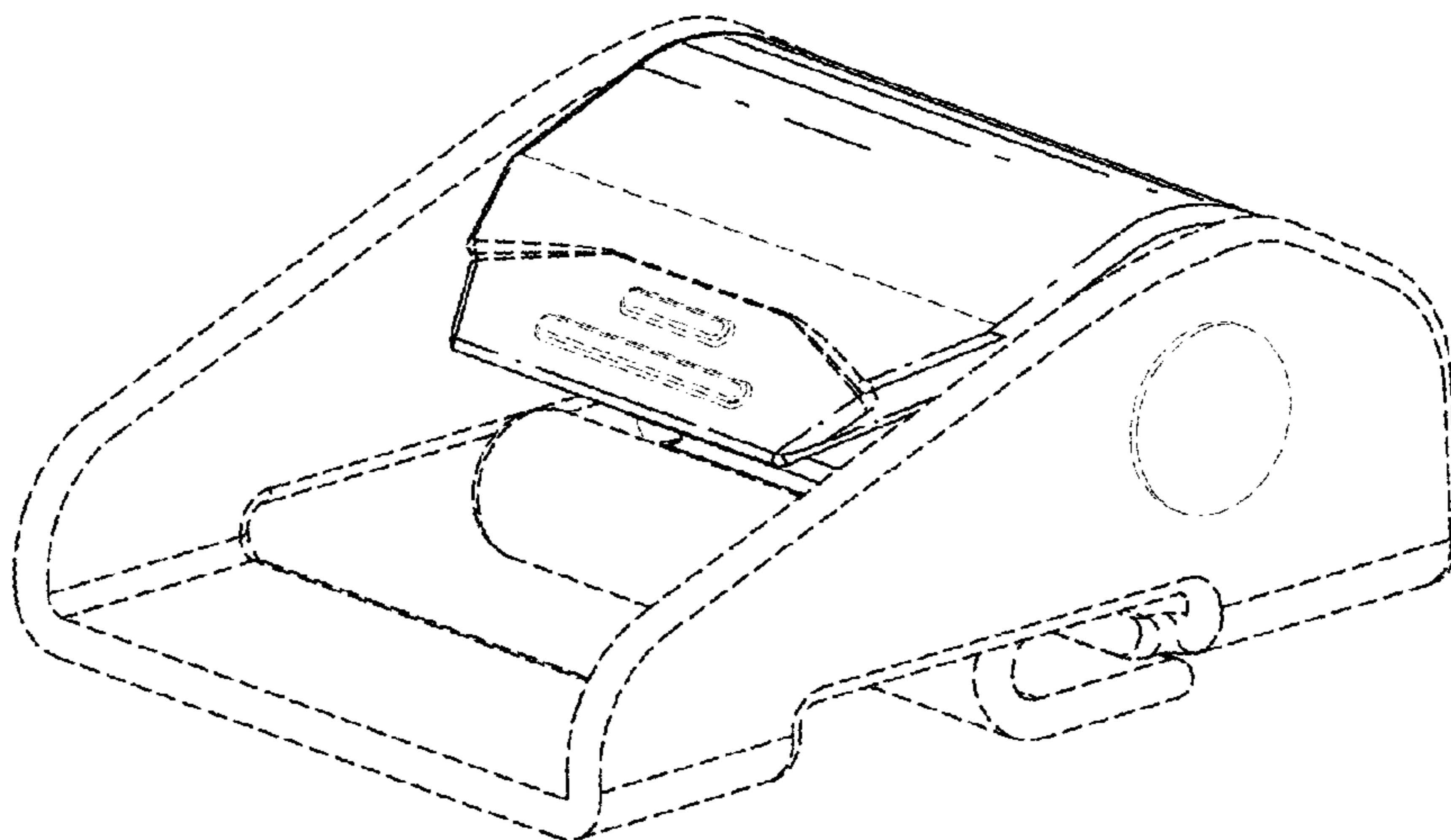
(57) **CLAIM**

The ornamental design for a web adjuster, as shown and described.

**DESCRIPTION**

FIG. 1 is a rear isometric view of the web adjuster showing an embodiment of our new design;  
FIG. 2 is a front isometric view thereof;  
FIG. 3 is a top plan view thereof;  
FIG. 4 is a bottom plan view thereof;  
FIG. 5 is a rear elevation view thereof;  
FIG. 6 is a front elevation view thereof;  
FIG. 7 is a right elevation view thereof; and,  
FIG. 8 is a left elevation view thereof.  
The broken lines in the Figures show portions of the web adjuster which form no part of the claimed design.

**1 Claim, 4 Drawing Sheets**



(56)

References Cited

U.S. PATENT DOCUMENTS

D296,678 S 7/1988 Lortz et al.  
 D303,232 S 9/1989 Lortz et al.  
 4,934,030 A 6/1990 Spinosa et al.  
 5,031,962 A 7/1991 Lee  
 5,074,011 A 12/1991 Carlson  
 5,088,160 A 2/1992 Warrick  
 5,100,176 A 3/1992 Ball et al.  
 5,160,186 A 11/1992 Lee  
 D332,433 S 1/1993 Bougher  
 5,248,187 A 9/1993 Harrison  
 5,286,090 A 2/1994 Templin et al.  
 5,311,653 A 5/1994 Merrick  
 5,350,196 A 9/1994 Atkins  
 D359,710 S 6/1995 Chinni et al.  
 D362,415 S \* 9/1995 Takimoto ..... D11/216  
 5,471,714 A 12/1995 Olson  
 5,497,956 A 3/1996 Crook  
 5,516,199 A 5/1996 Crook et al.  
 5,695,243 A 12/1997 Anthony et al.  
 5,774,947 A 7/1998 Anscher  
 D397,063 S 8/1998 Wodert et al.  
 D416,827 S 11/1999 Anthony et al.  
 6,230,370 B1 5/2001 Nelson  
 6,260,884 B1 7/2001 Bittner et al.

6,425,632 B1 7/2002 Anthony et al.  
 6,560,825 B2 5/2003 Maciejczyk  
 6,665,912 B2 12/2003 Turner et al.  
 6,820,310 B2 11/2004 Woodard et al.  
 6,868,585 B2 3/2005 Anthony et al.  
 7,010,836 B2 3/2006 Acton et al.  
 7,240,405 B2 7/2007 Webber et al.  
 7,404,239 B1 7/2008 Walton et al.  
 7,506,413 B2 3/2009 Dingman et al.  
 D603,753 S \* 11/2009 Palmer ..... D11/216  
 7,861,341 B2 1/2011 Ayette et al.  
 7,862,124 B2 1/2011 Dingman  
 D729,119 S \* 5/2015 Janes ..... D11/216  
 D748,529 S \* 2/2016 Paik ..... D11/216  
 2005/0127660 A1 6/2005 Liu  
 2006/0075609 A1 4/2006 Dingman et al.

FOREIGN PATENT DOCUMENTS

EP 0363062 4/1990  
 EP 0449772 10/1991  
 EP 1153789 11/2001  
 EP 1447021 8/2004  
 WO 03009717 2/2003  
 WO 2006041859 4/2006

\* cited by examiner

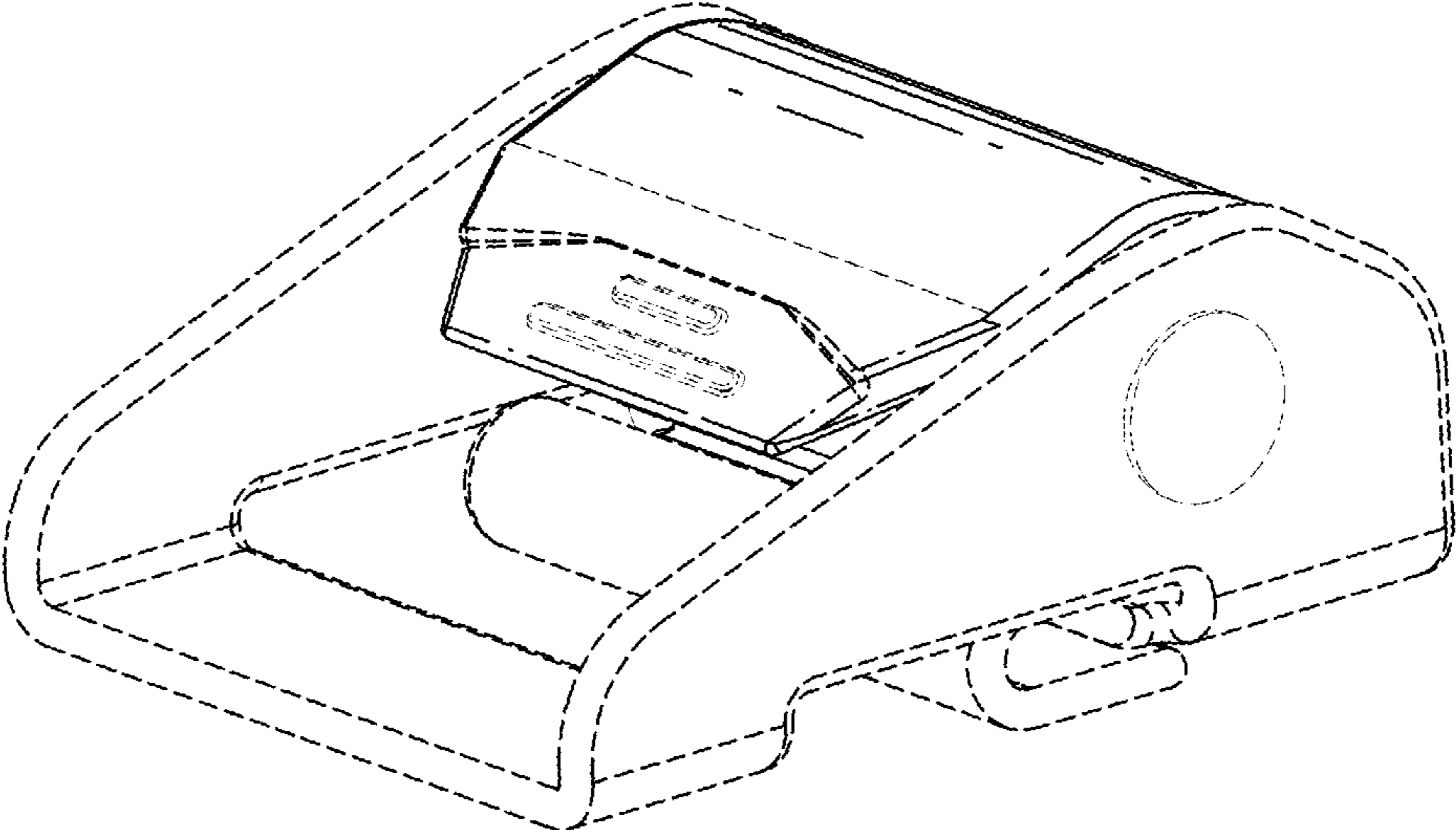


FIG. 1

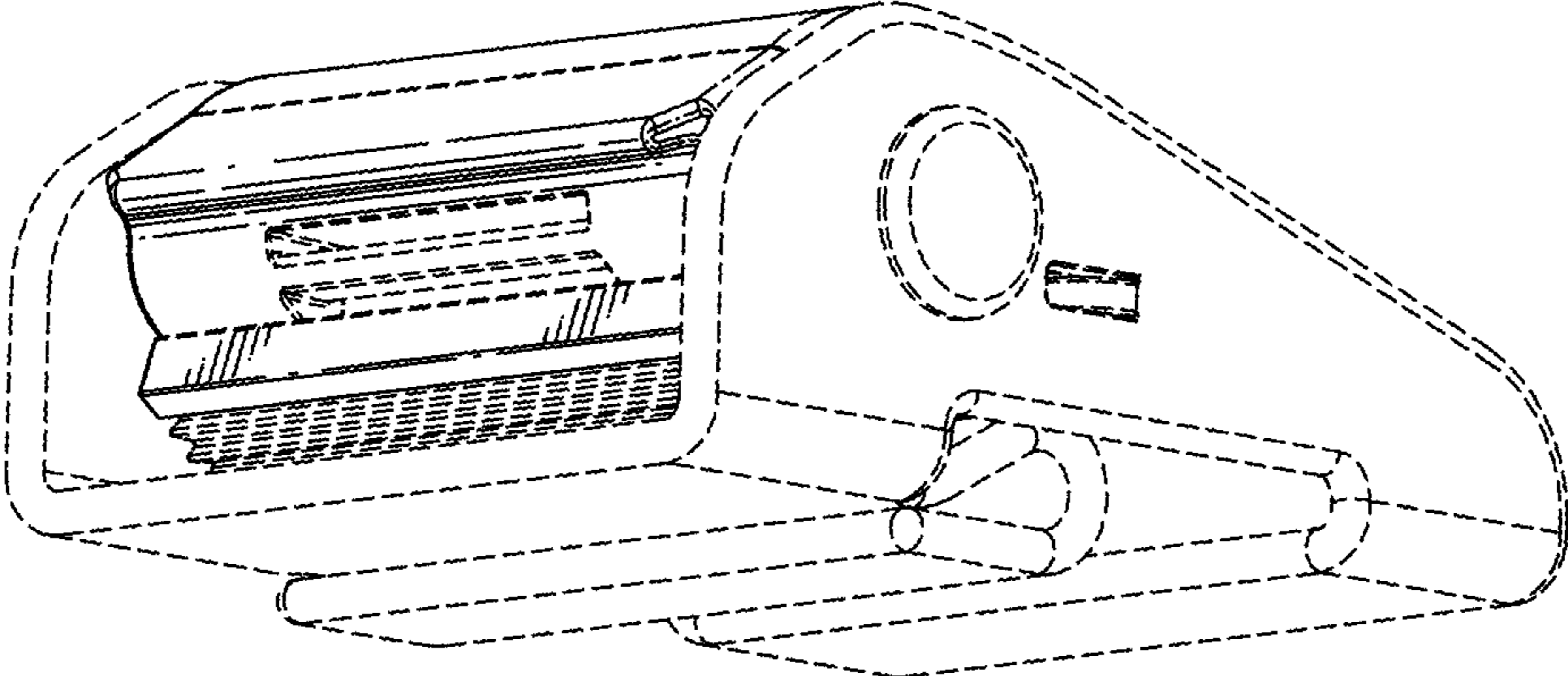


FIG. 2

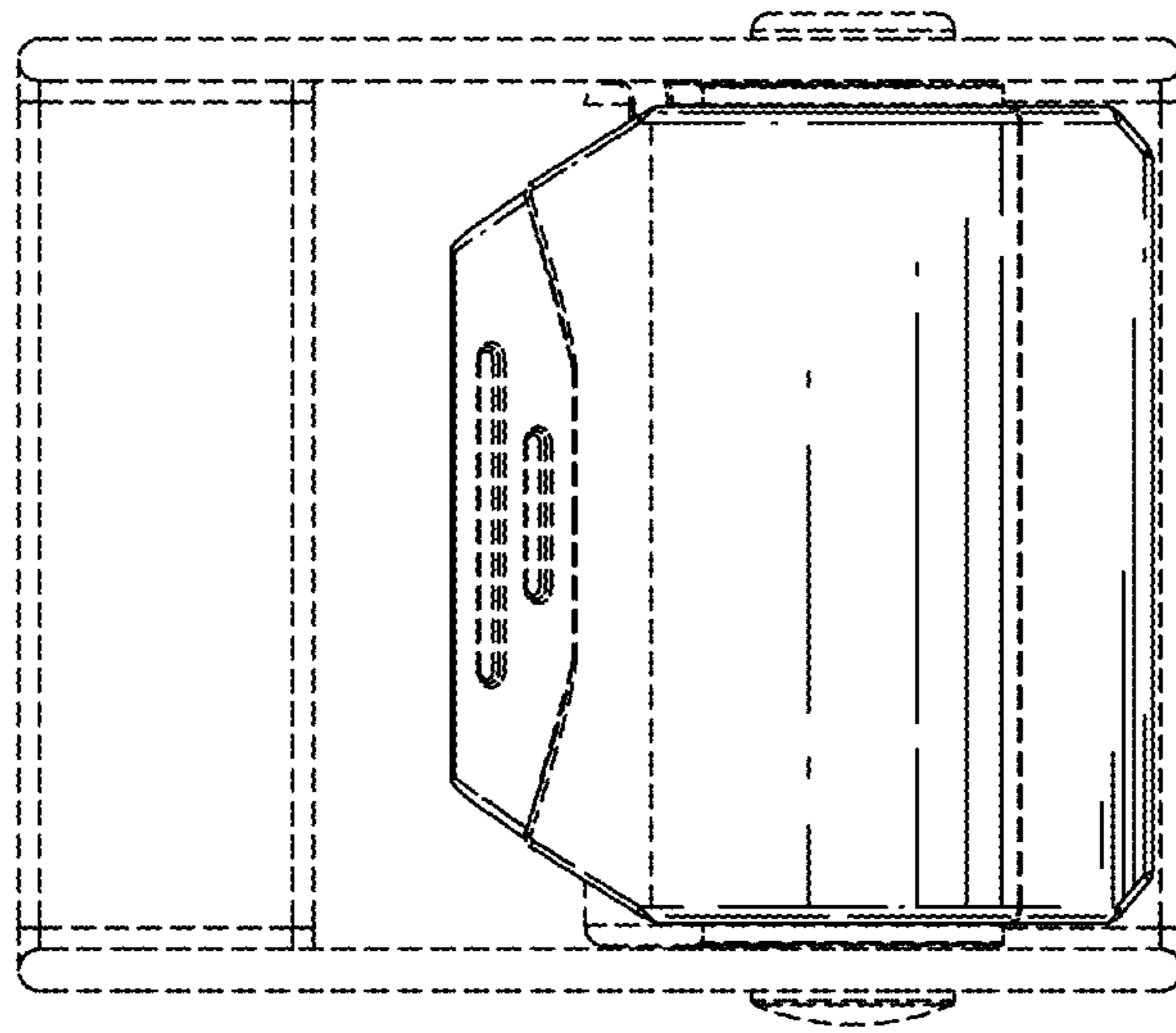


FIG. 3

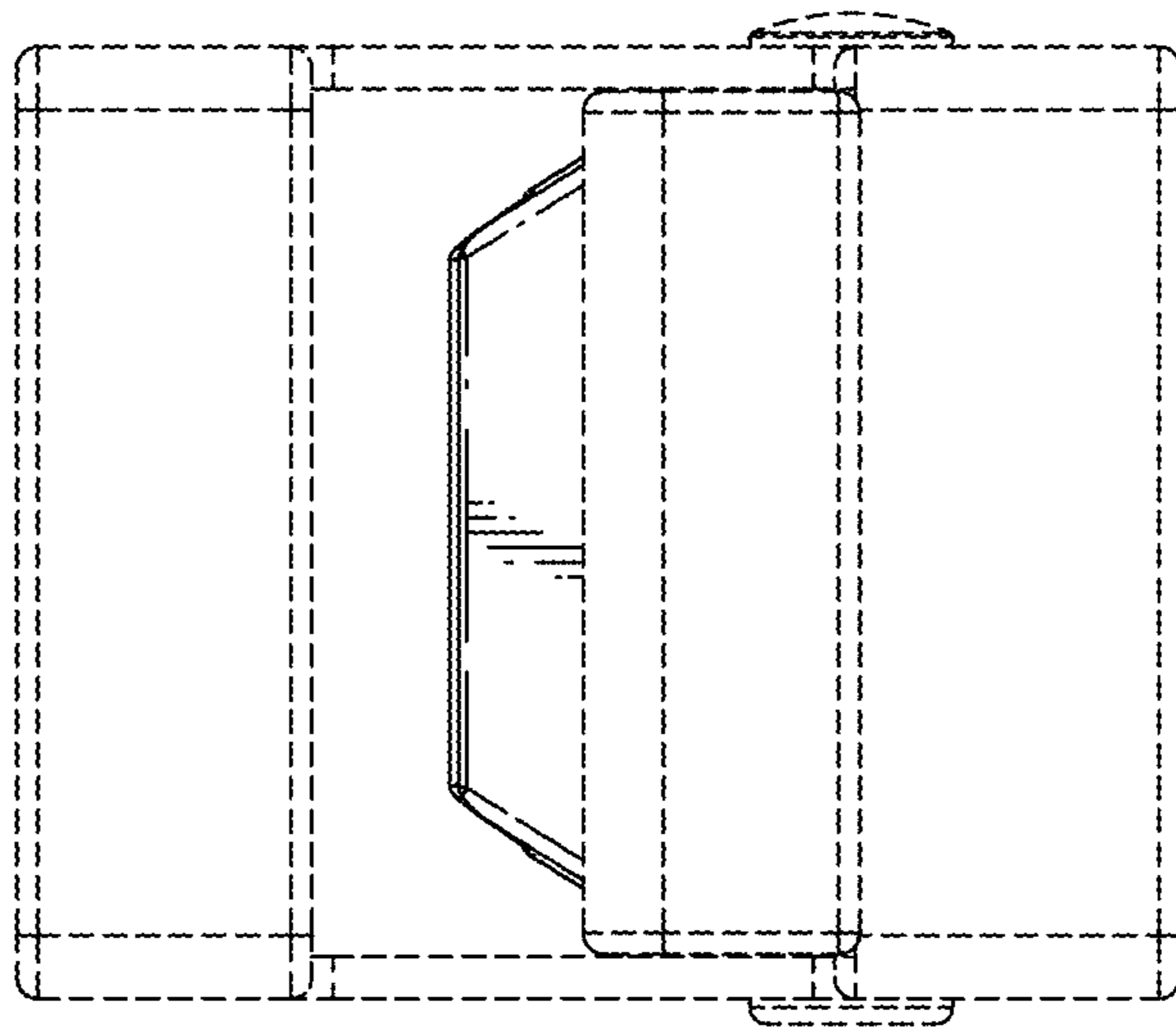


FIG. 4

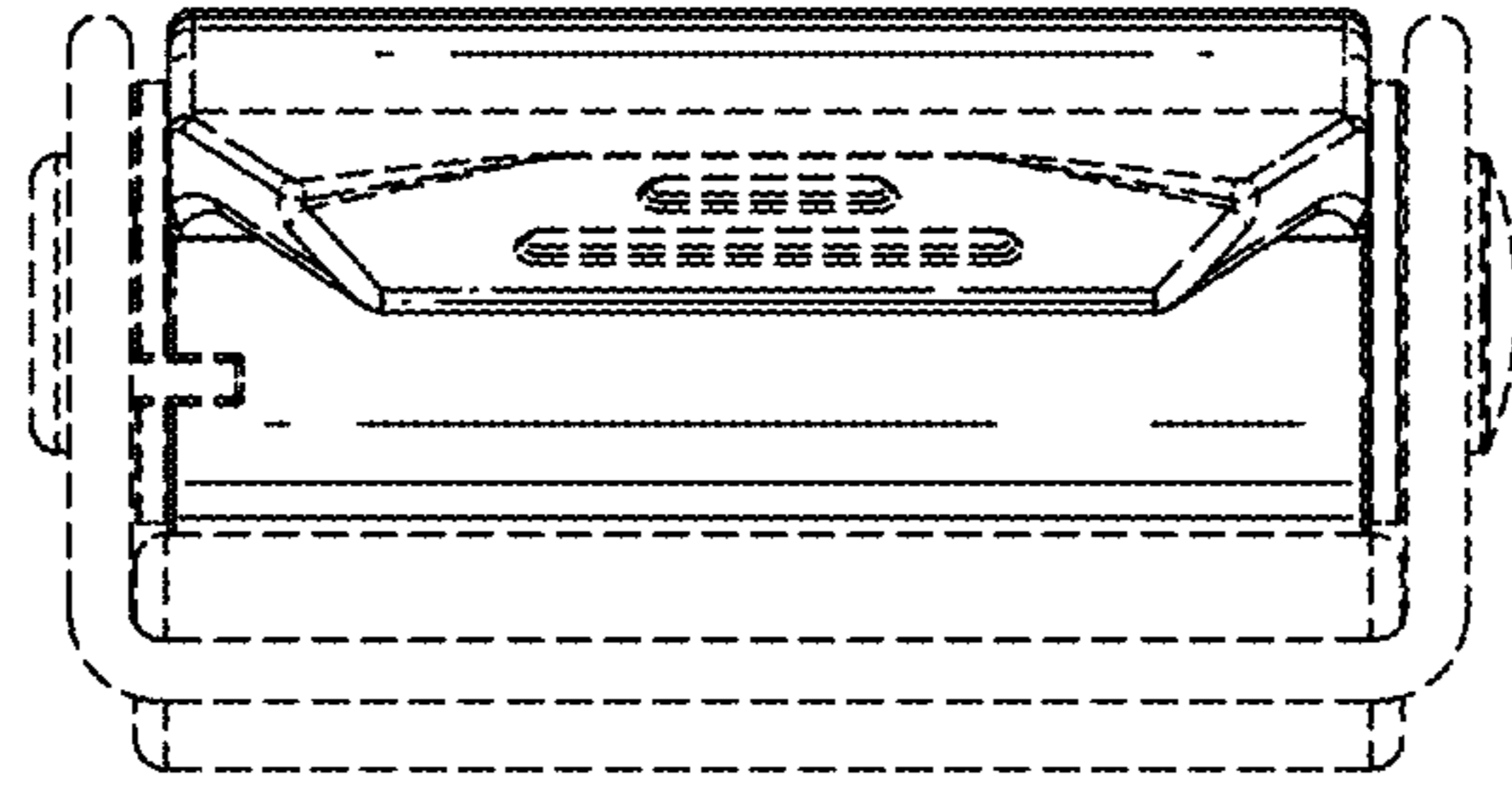


FIG. 5

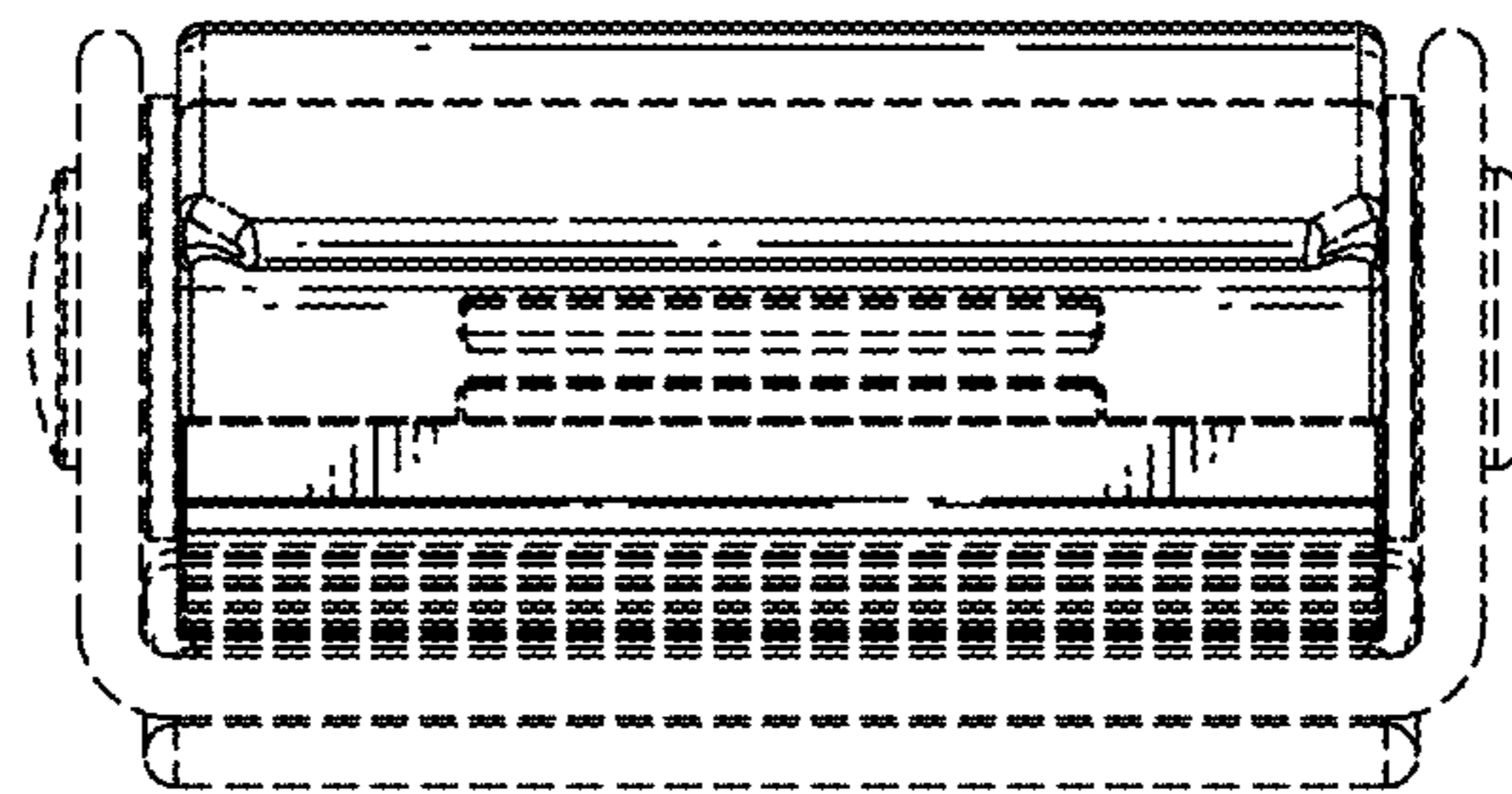
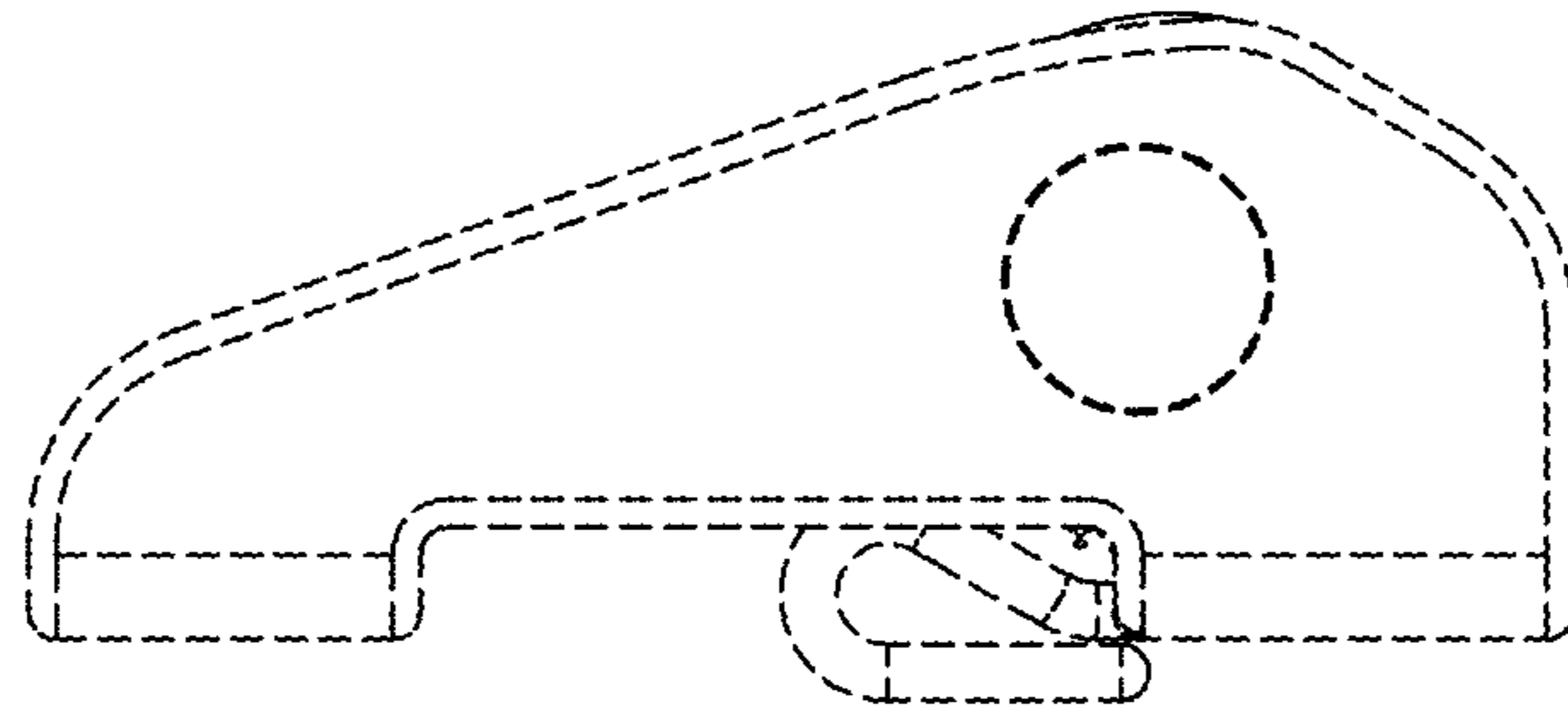
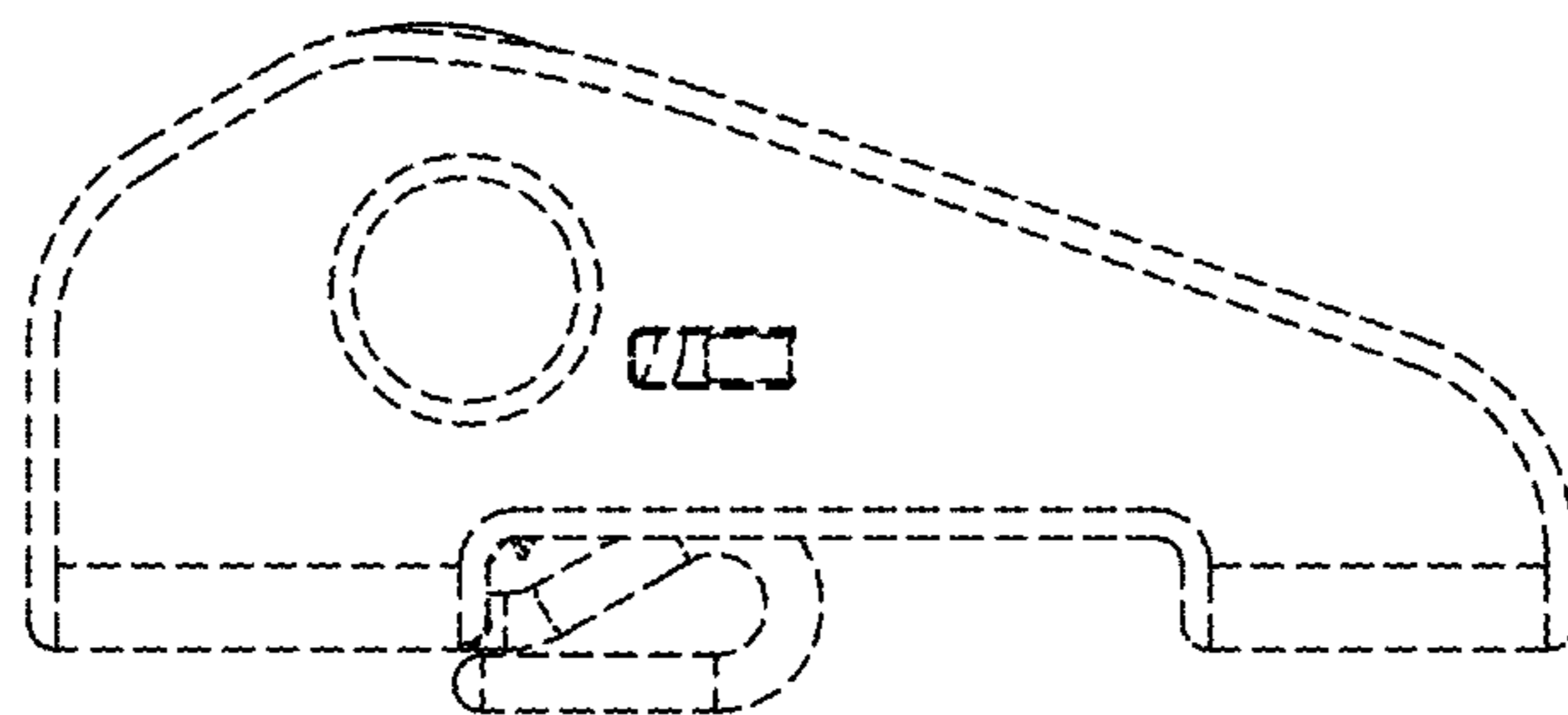


FIG. 6



*FIG. 7*



*FIG. 8*