



US00D805952S

(12) **United States Design Patent**  
**Renforth et al.**

(10) **Patent No.:** **US D805,952 S**

(45) **Date of Patent:** **\*\* Dec. 26, 2017**

(54) **BUCKLE**

(71) Applicant: **Doskocil Manufacturing Company, Inc.**, Arlington, TX (US)

(72) Inventors: **Jack Renforth**, Azle, TX (US); **Doug Golenz**, Littleton, CO (US); **Phil Rowe**, Frisco, CO (US)

(73) Assignee: **DOSKOCIL MANUFACTURING COMPANY, INC.**, Arlington, TX (US)

(\*\*) Term: **15 Years**

(21) Appl. No.: **29/572,996**

(22) Filed: **Aug. 2, 2016**

(51) **LOC (10) Cl.** ..... **02-07**

(52) **U.S. Cl.**  
USPC ..... **D11/216**

(58) **Field of Classification Search**  
USPC ..... D11/1-2, 200-201, 206-210, 212-219;  
24/163 R, 169-171, 173, 177-179, 191,  
24/194-195, 197, 198, 200, 614-616,  
24/625, 630, 578.11, 578.1, 163 K, 114;  
D8/349, 395, 356  
CPC ..... A44B 11/06; A44B 11/26; A44B 11/25;  
A41F 11/04  
See application file for complete search history.

(56) **References Cited**

**U.S. PATENT DOCUMENTS**

- 4,825,515 A \* 5/1989 Wolterstorff, Jr. ... A44B 11/263  
24/196
- D303,233 S \* 9/1989 Jang ..... D11/216
- D312,430 S \* 11/1990 Crowle ..... D11/216
- D340,886 S \* 11/1993 Anscher ..... D11/200
- 5,465,472 A \* 11/1995 Matoba ..... A44B 11/266  
24/616
- D379,161 S \* 5/1997 Matoba ..... D11/216

- D381,936 S \* 8/1997 Anscher ..... D11/216
- D386,125 S \* 11/1997 Anscher ..... D11/200
- 5,845,376 A \* 12/1998 Tung ..... A44B 11/266  
24/625

(Continued)

**FOREIGN PATENT DOCUMENTS**

JP H11178610 \* 9/1999 ..... A44B 11/10

**OTHER PUBLICATIONS**

Ruffimaxx Mossy Oak Adjustable Collar, PetMate.com, [online], [site visited Jul. 28, 2017]. <URL:http://www.petmate.com/product/Ruffimaxx-Mossy-Oak-Adjustable-Collar/10867>.\*

(Continued)

*Primary Examiner* — T. Chase Nelson

*Assistant Examiner* — Jonathan J Han

(74) *Attorney, Agent, or Firm* — Global IP Counselors, LLP

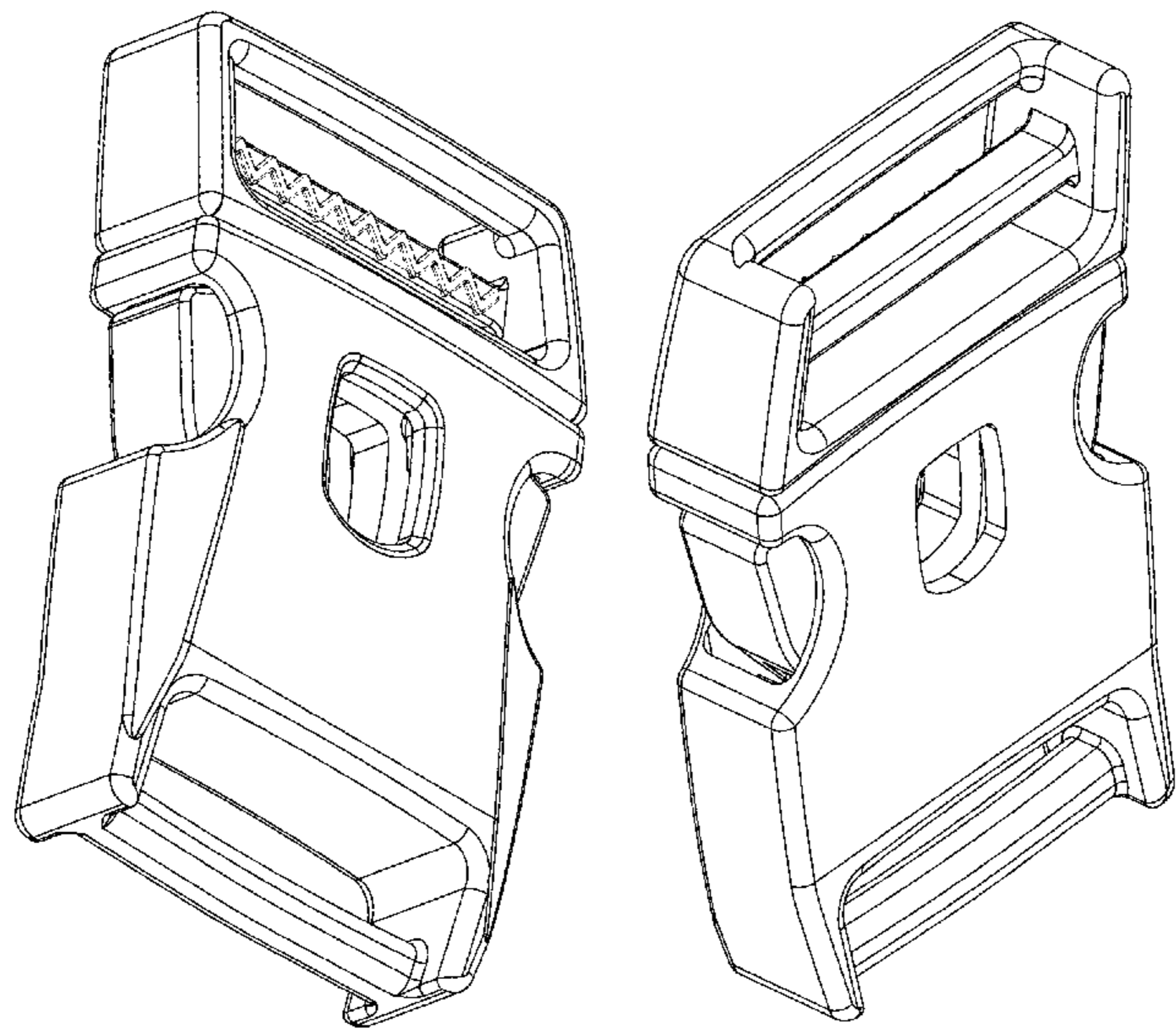
(57) **CLAIM**

The ornamental design for a buckle, as shown and described.

**DESCRIPTION**

FIG. 1 is a front perspective view of a buckle in accordance with our new design;  
FIG. 2 is a back perspective view thereof;  
FIG. 3 is a front view thereof;  
FIG. 4 is a back view thereof;  
FIG. 5 is a top view thereof and the bottom view is a mirror image;  
FIG. 6 is a right side view thereof;  
FIG. 7 is a left side view thereof;  
FIG. 8 is a front perspective view of two separate components of the buckle in accordance with our new design; and, FIG. 9 is a back perspective view thereof.  
The broken lines depict environmental subject matter, are for illustration only, and form no part of the claimed design.

**1 Claim, 8 Drawing Sheets**



(56)

References Cited

U.S. PATENT DOCUMENTS

6,052,875 A \* 4/2000 Fudaki ..... A44B 11/266  
24/615  
6,247,213 B1 \* 6/2001 Uehara ..... A44B 11/266  
24/265 BC  
6,421,889 B1 \* 7/2002 Chien ..... A44B 11/266  
24/614  
6,457,219 B1 \* 10/2002 Liu ..... A44B 11/266  
24/615  
D467,837 S \* 12/2002 Maruoka ..... D11/216  
D468,664 S \* 1/2003 Nishida ..... D11/216  
D478,023 S \* 8/2003 Chen ..... D11/216  
D491,102 S \* 6/2004 Matoba ..... D11/216  
D495,622 S \* 9/2004 Uehara ..... D11/216  
D685,292 S \* 7/2013 Kataguchi ..... D11/216  
D740,718 S \* 10/2015 Liu ..... D11/216  
D778,207 S \* 2/2017 Paik ..... D11/216  
D784,851 S \* 4/2017 Lin ..... D11/216  
2003/0182777 A1 \* 10/2003 Kim ..... A44B 11/006  
24/615  
2004/0055122 A1 \* 3/2004 Matoba ..... A44B 11/266  
24/615  
2005/0204522 A1 \* 9/2005 Paik ..... A44B 11/266  
24/614  
2006/0218761 A1 \* 10/2006 Anscher ..... A44B 11/006  
24/614  
2006/0243006 A1 \* 11/2006 Christensen ..... A44B 11/266  
70/58  
2007/0079486 A1 \* 4/2007 Paik ..... A44B 11/263  
24/615

2010/0107370 A1 \* 5/2010 Paik ..... A44B 11/266  
24/190  
2010/0293763 A1 \* 11/2010 Paik ..... A44B 11/266  
24/614  
2011/0107565 A1 \* 5/2011 Shen ..... A44B 11/266  
24/633  
2011/0219591 A1 \* 9/2011 Parisi ..... A44B 11/263  
24/633  
2015/0237970 A1 \* 8/2015 Baile ..... A44B 11/003  
24/601.7  
2016/0021988 A1 \* 1/2016 Kaneko ..... A44B 11/266  
24/615

OTHER PUBLICATIONS

50½" Side Release Plastic Buckles, Amazon.com, [online], [site visited Jul. 28, 2017]. <URL: <https://www.amazon.com/50-Side-Release-Plastic-Buckles/dp/B003R0RTEA>>.\*  
Medium Dog Originals Adjustables Collar, LupinePet.com, [online], [site visited Jul. 28, 2017]. <URL: <http://store.lupinepet.com/medium-dog-originals-adjustable-collar/>>.\*  
Red—Reflective Dog Collars, Dog Leads, DouglasPaquette.com, [online], [site visited Jul. 28, 2017]. <URL: [http://www.douglaspauquette.com/reflective\\_dog\\_collars/PROD\\_REFLECTIVE\\_RED.html](http://www.douglaspauquette.com/reflective_dog_collars/PROD_REFLECTIVE_RED.html)>.\*  
5000/5001 1" Mojave Plastic Side Release Buckle, BuckleGuy.com, [online], [site visited Jul. 28, 2017]. <URL: <https://www.buckleGuy.com/5000-5001-1-mojave-plastic-side-release-buckle/>>.\*

\* cited by examiner

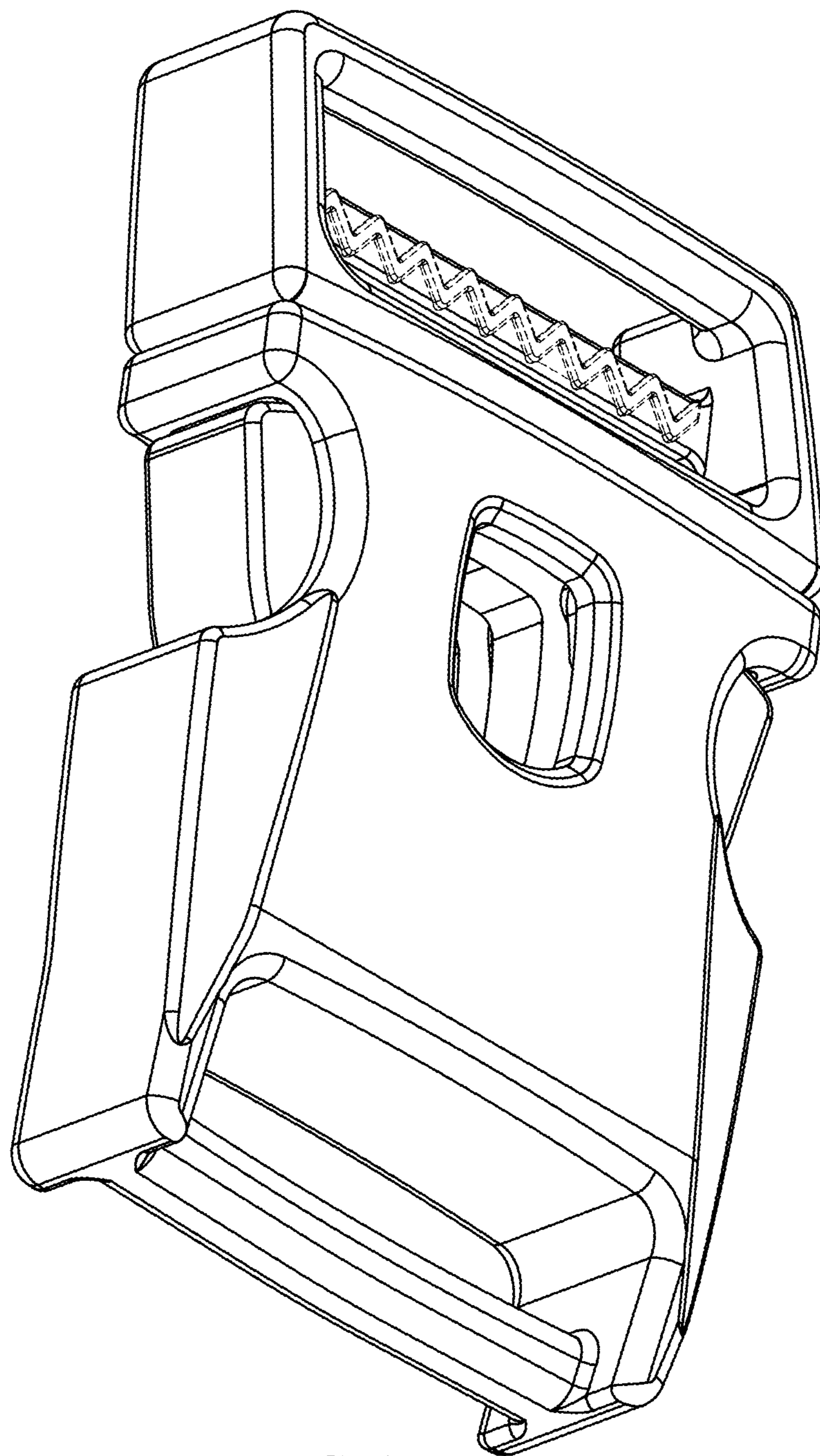


FIG. 1

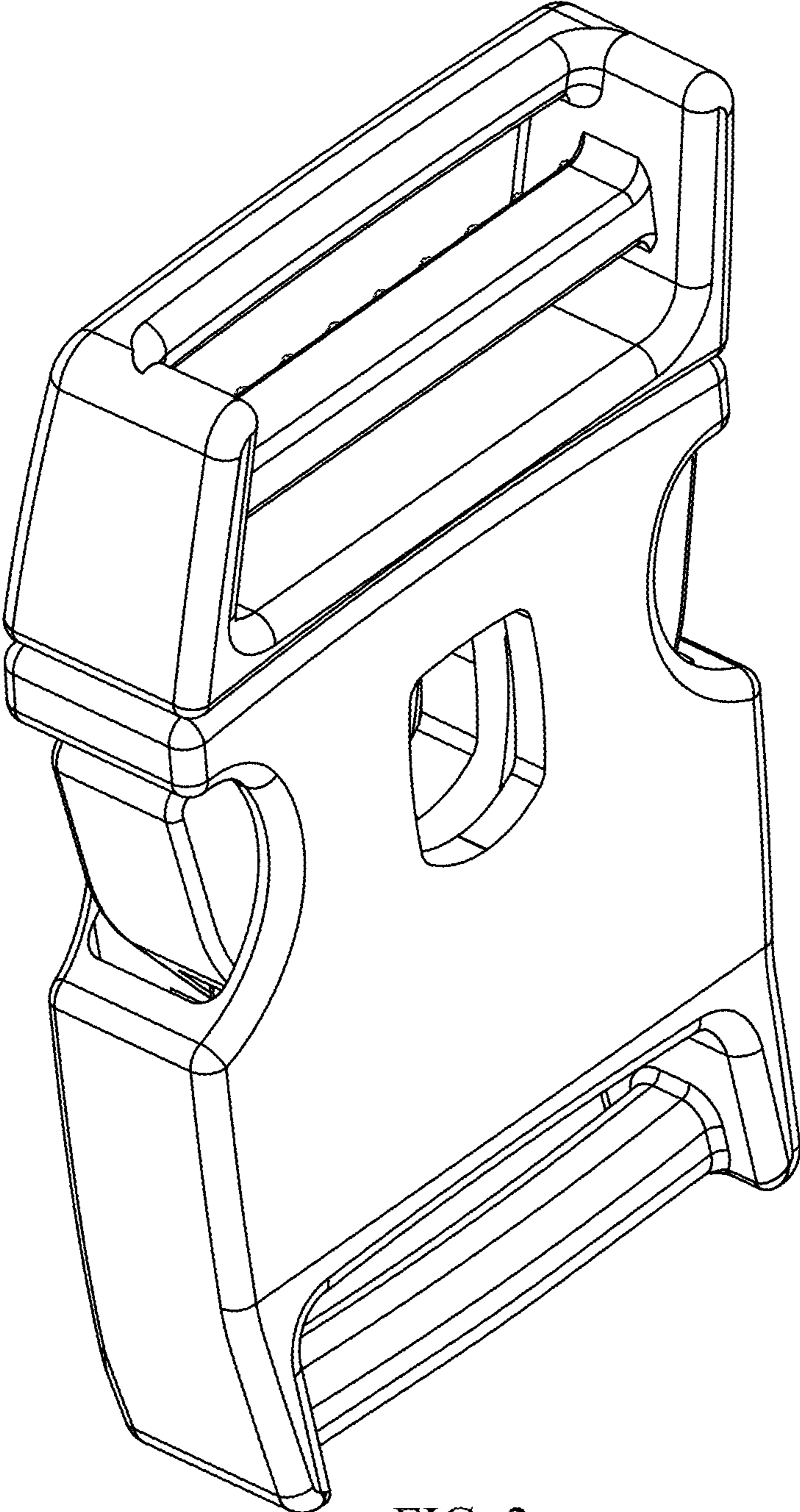


FIG. 2

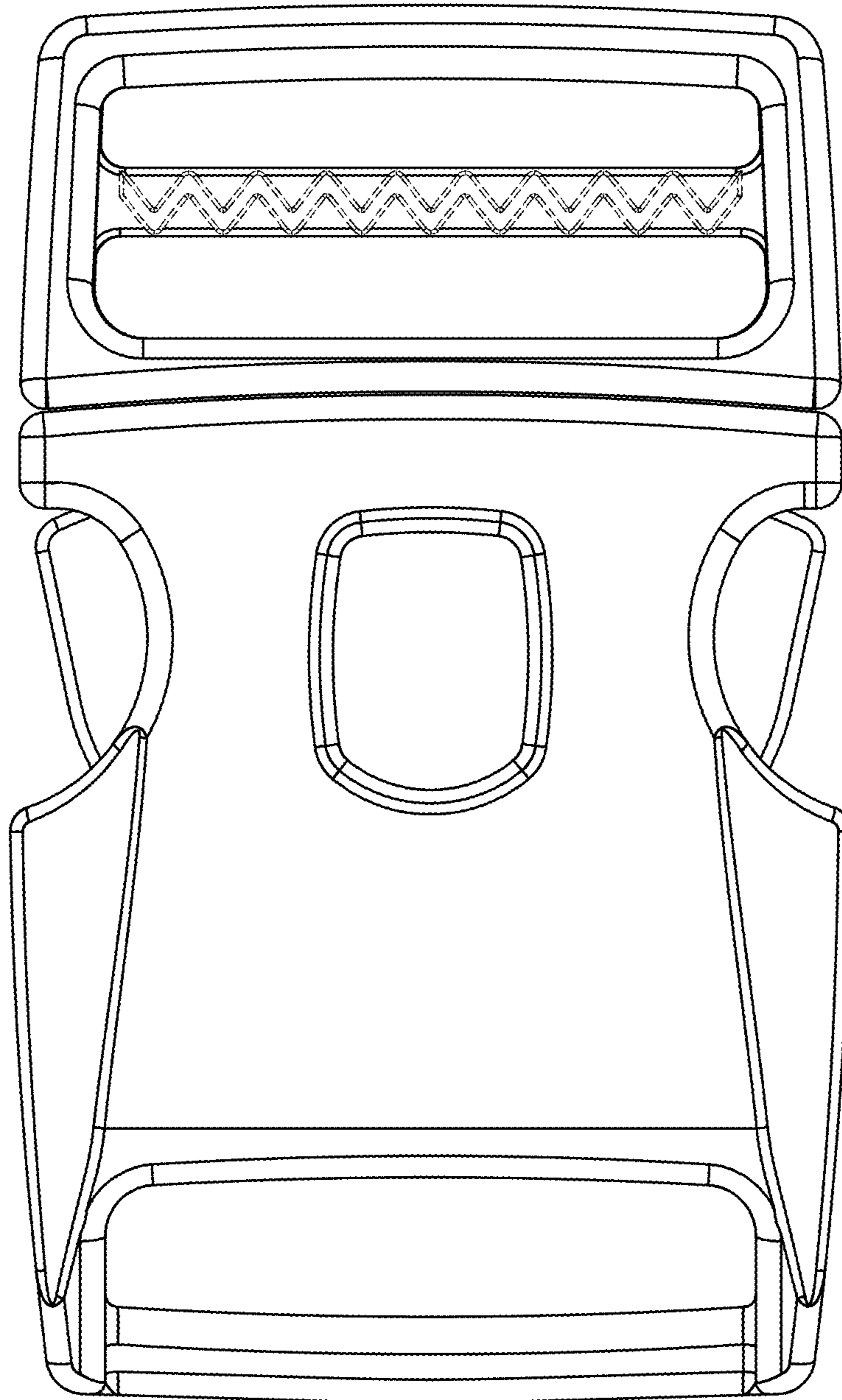


FIG. 3

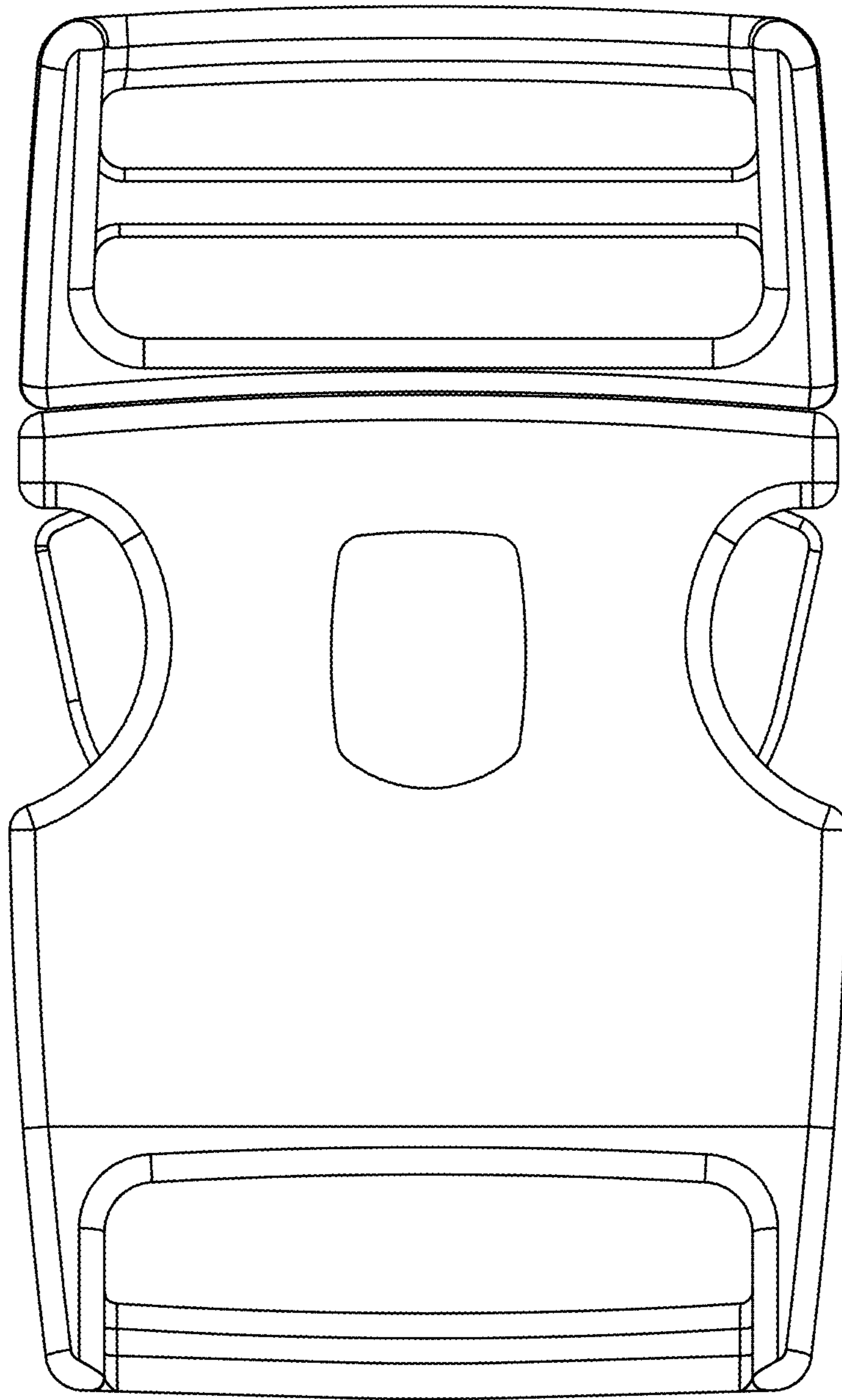


FIG. 4

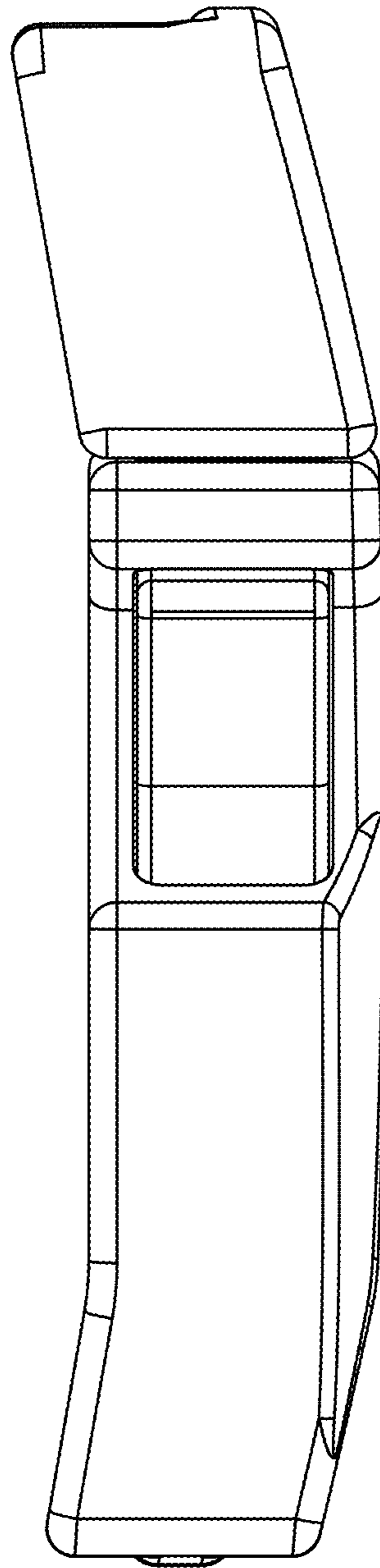


FIG. 5

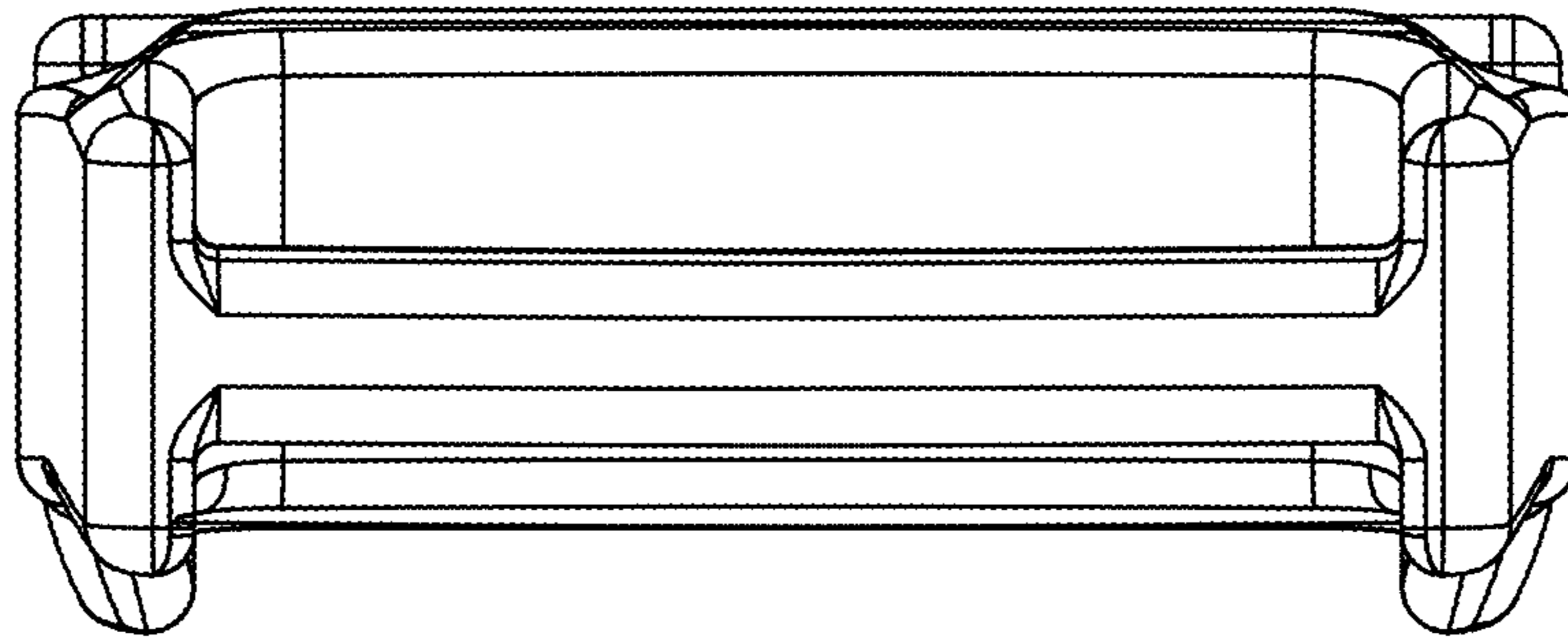


FIG. 6

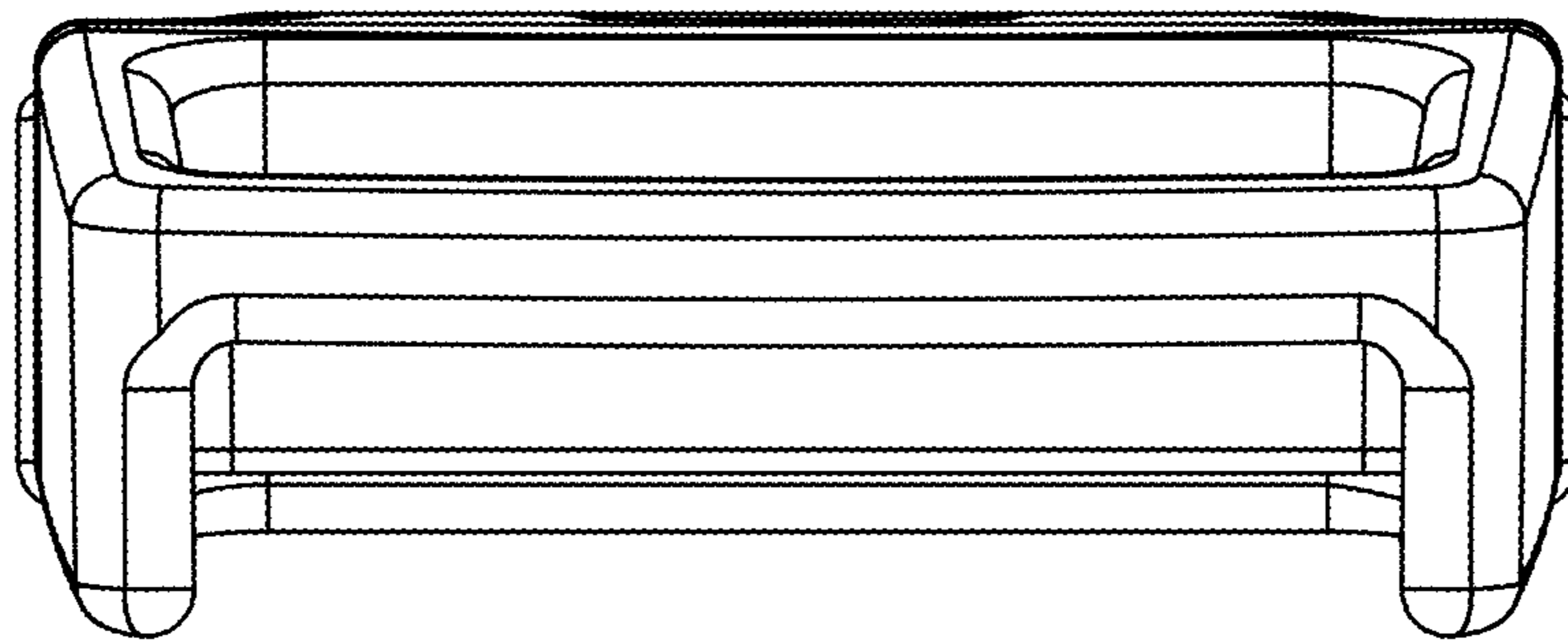


FIG. 7



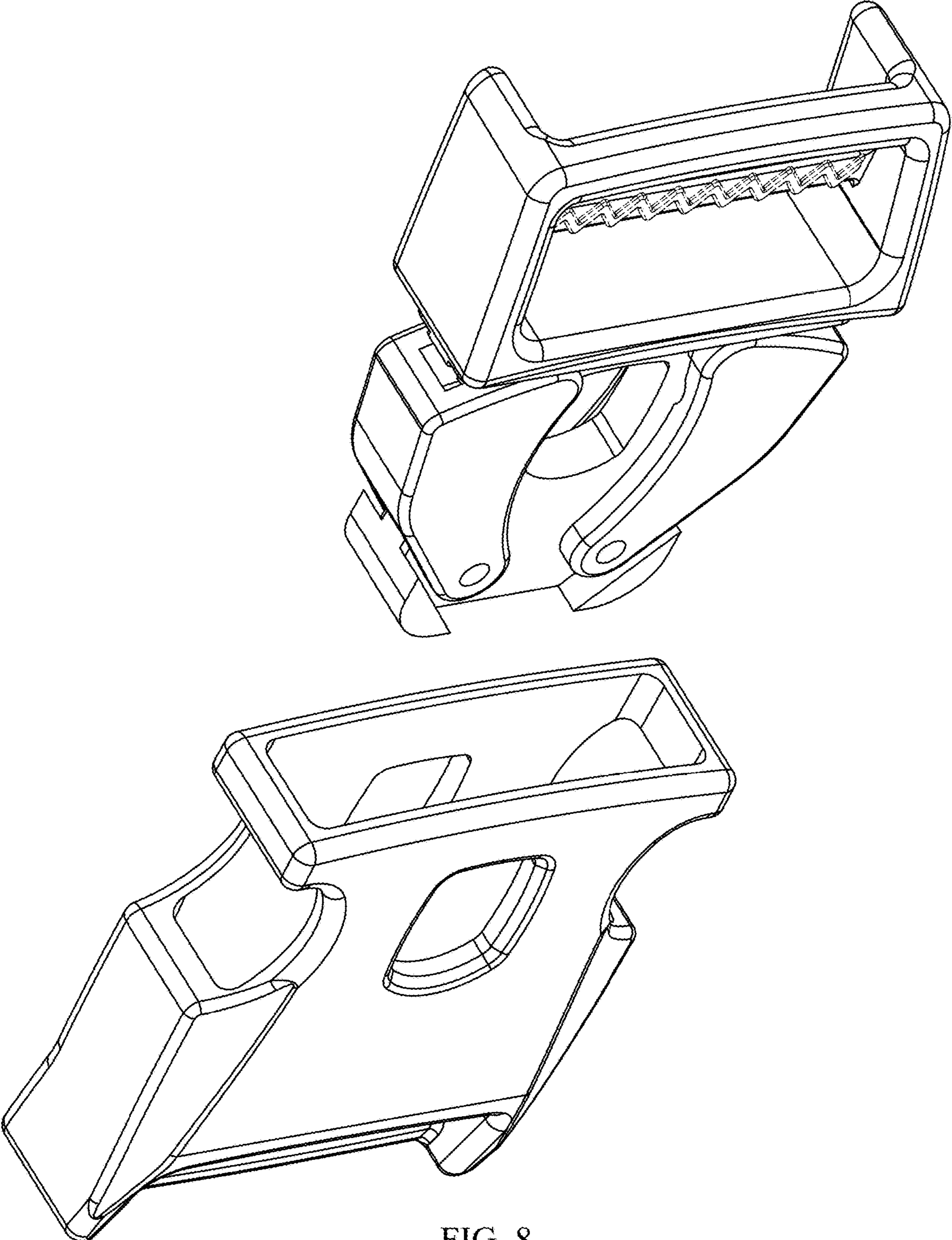


FIG. 8

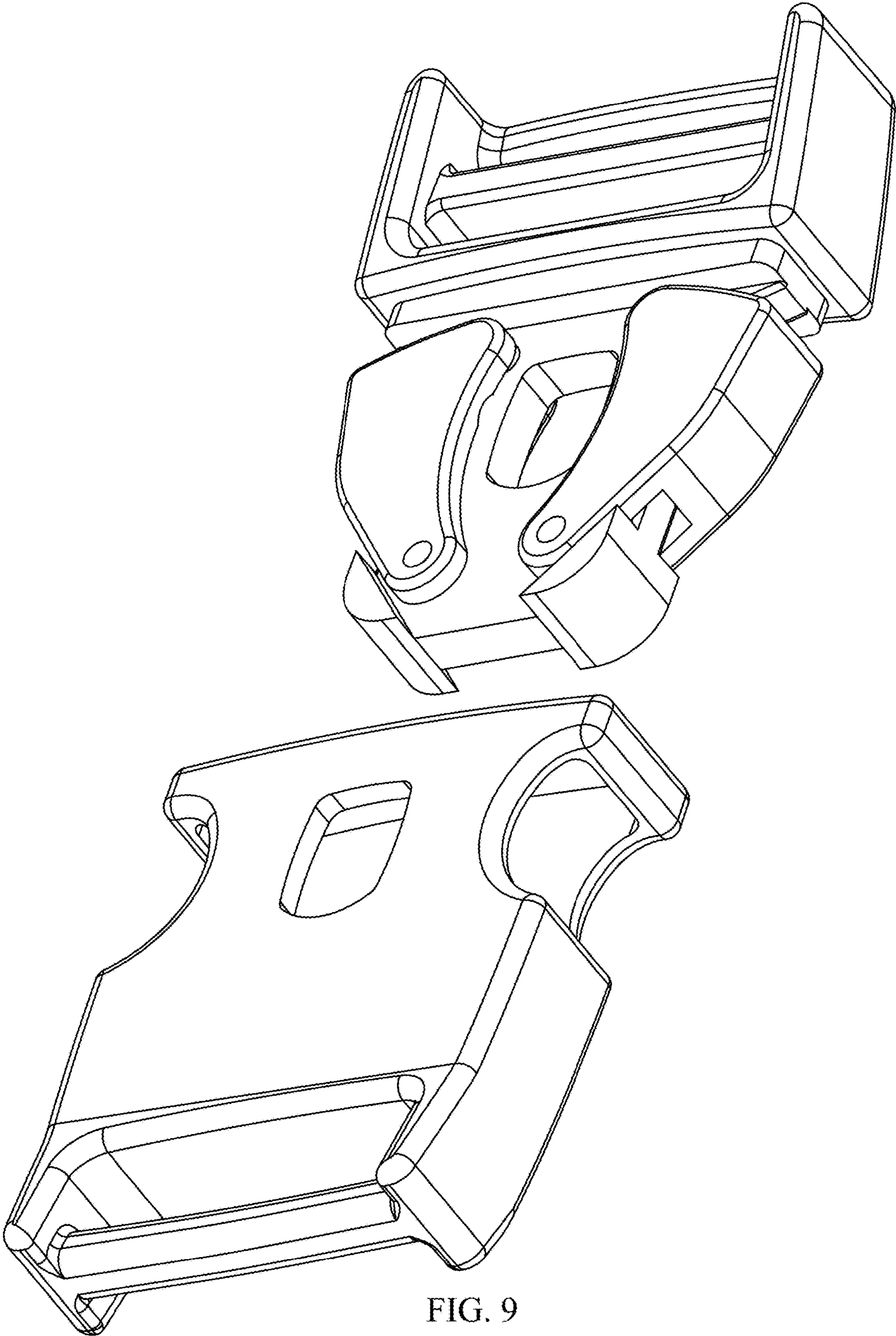


FIG. 9