



US00D805950S

(12) **United States Design Patent** (10) **Patent No.:** **US D805,950 S**
Akbik (45) **Date of Patent:** **** Dec. 26, 2017**

(54) **HANGING ORNAMENT**
(71) Applicant: **Mouwafa S. Akbik**, Madison, WI (US)
(72) Inventor: **Mouwafa S. Akbik**, Madison, WI (US)
(**) Term: **15 Years**
(21) Appl. No.: **29/549,727**
(22) Filed: **Dec. 28, 2015**
(51) **LOC (10) Cl.** **11-05**
(52) **U.S. Cl.**
USPC **D11/121**
(58) **Field of Classification Search**
USPC D11/117, 121, 124, 130, 131, 132, 141,
D11/157, 158, 164
CPC A47G 33/00; A47G 33/08; A47G 33/0809;
A47G 2033/0827; B44C 5/00; B44C
5/04; B44C 5/0407; B44C 5/0415; B44C
5/06

See application file for complete search history.

(56) **References Cited**
U.S. PATENT DOCUMENTS

1,653,260	A	12/1927	Dauer	
1,781,687	A	11/1930	Hazman	
1,783,223	A	12/1930	Dauer	
1,927,038	A	9/1933	Kane	
1,963,053	A	6/1934	Powers	
1,963,054	A	6/1934	Powers	
1,976,093	A	10/1934	Raymond	
D93,890	S *	11/1934	Raymond	D11/121
2,004,697	A *	6/1935	Hruza	A47C 23/0515 5/256
2,107,677	A	2/1938	Sexton	
2,108,002	A	2/1938	Smith et al.	
D110,858	S *	8/1938	Egerton	D11/121
2,134,737	A *	11/1938	Riedel	D06N 7/0028 428/161
2,197,577	A *	4/1940	Crosser	A47G 33/0845 40/613
2,662,336	A	12/1953	Zalkind	

D174,665	S	5/1955	Tessitore	
D180,053	S *	4/1957	Zalewski	D11/121
D181,256	S	10/1957	Johnson	
D181,358	S	10/1957	Johnson	
D195,976	S	8/1963	Janowitz	
D203,341	S	12/1965	Burnbaum	
D205,618	S	8/1966	Williams	
D209,517	S	12/1967	Burnbaum	
3,751,025	A	8/1973	Beery et al.	
D234,789	S	4/1975	Rosenberg	
D234,790	S	4/1975	Rosenberg	
5,336,536	A	8/1994	Oberzan	
D353,235	S	12/1994	D'Angelico	
5,374,217	A	12/1994	Olson	
D371,087	S	6/1996	Jacobson	
D374,638	S	10/1996	Jacobson et al.	
1,216,580	A	2/1997	Levi	
D387,396	S	12/1997	Chao	
D399,780	S	10/1998	Kauderer	

(Continued)

Primary Examiner — Elizabeth J Oswecki
(74) *Attorney, Agent, or Firm* — Boardman & Clark LLP

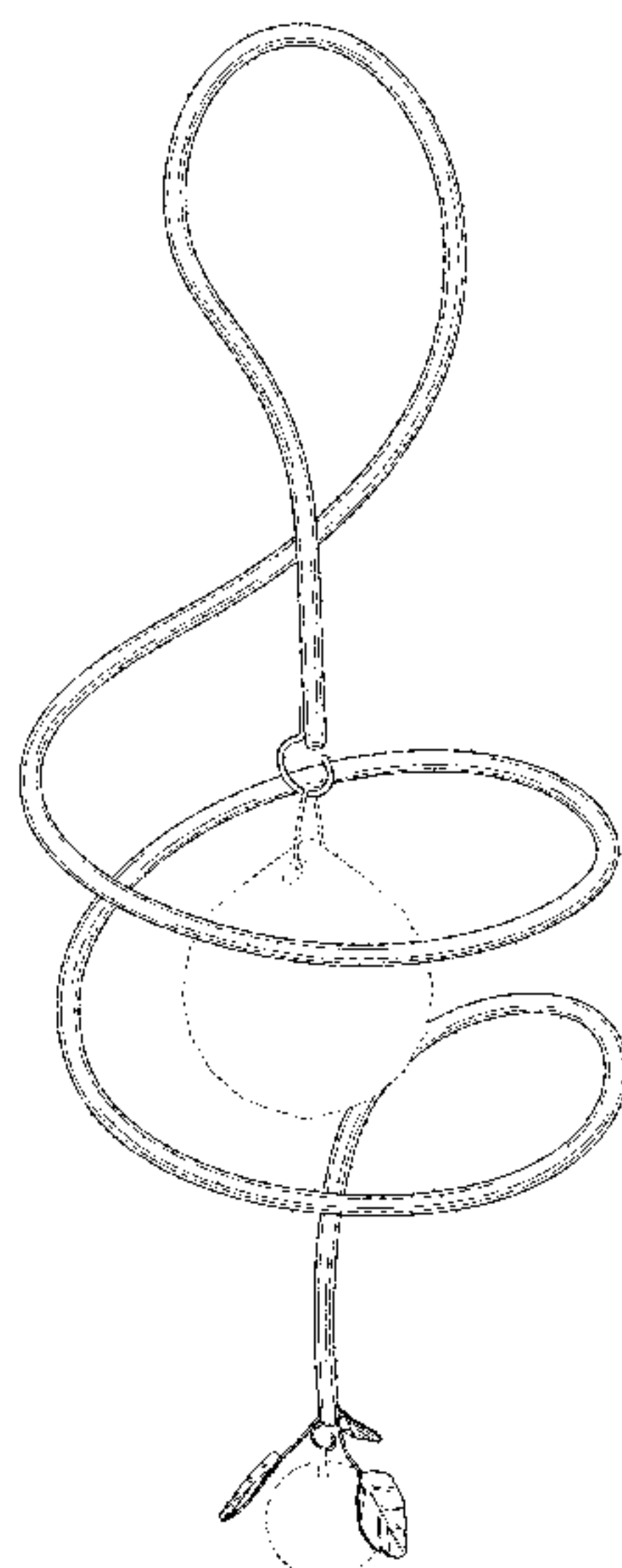
(57) **CLAIM**

The ornamental design for a hanging ornament, as shown and described.

DESCRIPTION

FIG. 1 is an isometric view of a hanging ornament showing my new design;
FIG. 2 is a first side elevation view thereof;
FIG. 3 is a second side elevation view thereof;
FIG. 4 is a third side elevation view thereof;
FIG. 5 is a fourth side elevation view thereof;
FIG. 6 is a top plan view thereof; and,
FIG. 7 is a bottom plan view thereof.
The broken lines shown in the drawings represent portions of the hanging ornament that form no part of the claimed design.

1 Claim, 6 Drawing Sheets



(56)

References Cited

U.S. PATENT DOCUMENTS

D408,319 S 4/1999 Byers
 D413,078 S 8/1999 Hanson
 6,048,590 A 4/2000 Phillips
 D432,458 S * 10/2000 Cliff D11/162
 6,139,168 A 10/2000 Gary et al.
 D449,792 S 10/2001 Nadeau et al.
 D454,974 S * 3/2002 Yando D11/22
 D461,142 S 8/2002 Capstick
 D463,317 S 9/2002 Bull
 D465,373 S * 11/2002 Wilkinson D11/79
 6,510,956 B2 1/2003 Therber
 D480,325 S 10/2003 Bull
 D487,034 S 2/2004 Lach
 D498,701 S 11/2004 Libuda et al.
 6,866,616 B2 3/2005 Sommer

D505,639 S * 5/2005 Lach D11/131
 D505,640 S 5/2005 Star
 D508,592 S 8/2005 Winkler
 7,089,787 B2 8/2006 Sahin et al.
 7,089,878 B2 8/2006 Huang
 D547,695 S * 7/2007 Lach D11/141
 D577,308 S 9/2008 Chen
 D577,309 S 9/2008 Chen
 D579,815 S 11/2008 Chen
 D625,222 S 10/2010 Akbik
 D626,027 S 10/2010 Akbik
 D626,028 S 10/2010 Akbik
 D630,545 S 1/2011 Akbik
 D662,853 S 7/2012 Akbik
 D678,110 S * 3/2013 Correa D11/79
 D678,813 S * 3/2013 Akbik D11/121
 D681,500 S 5/2013 Akbik
 D698,097 S * 1/2014 Muhr D30/124
 D705,499 S * 5/2014 Zamarripa D30/124

* cited by examiner

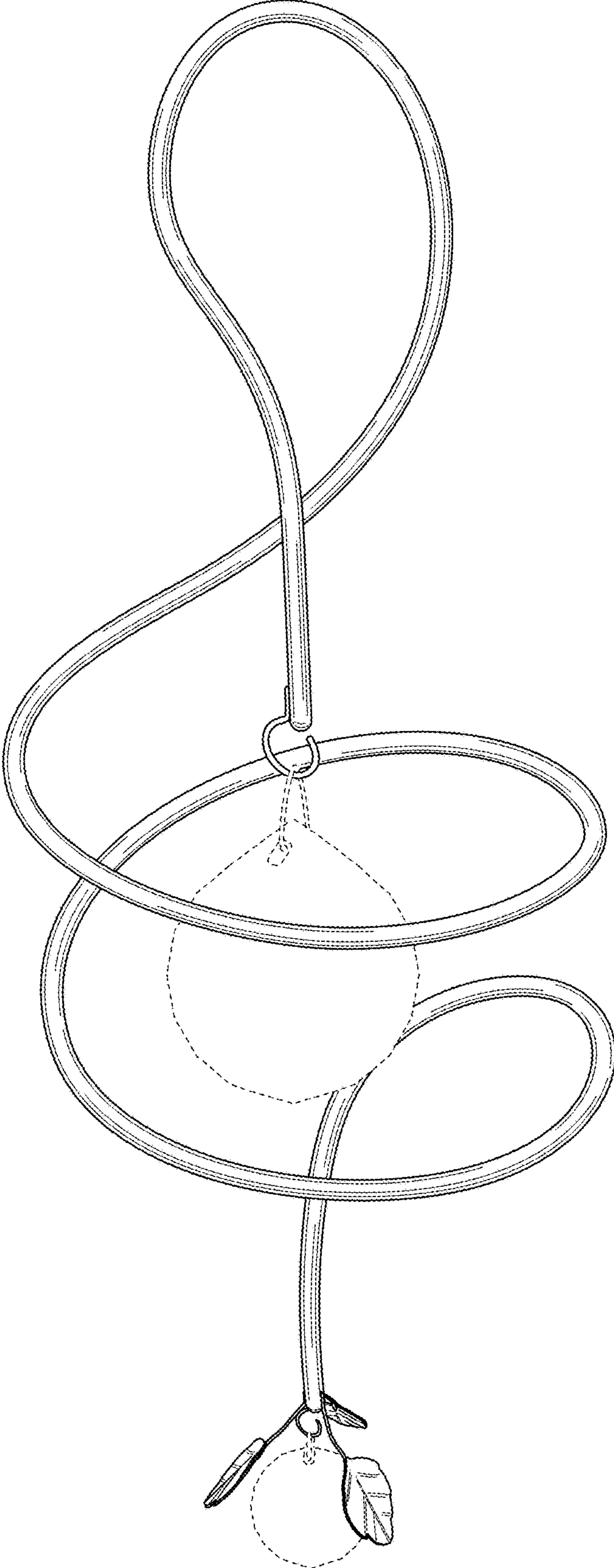


FIG. 1

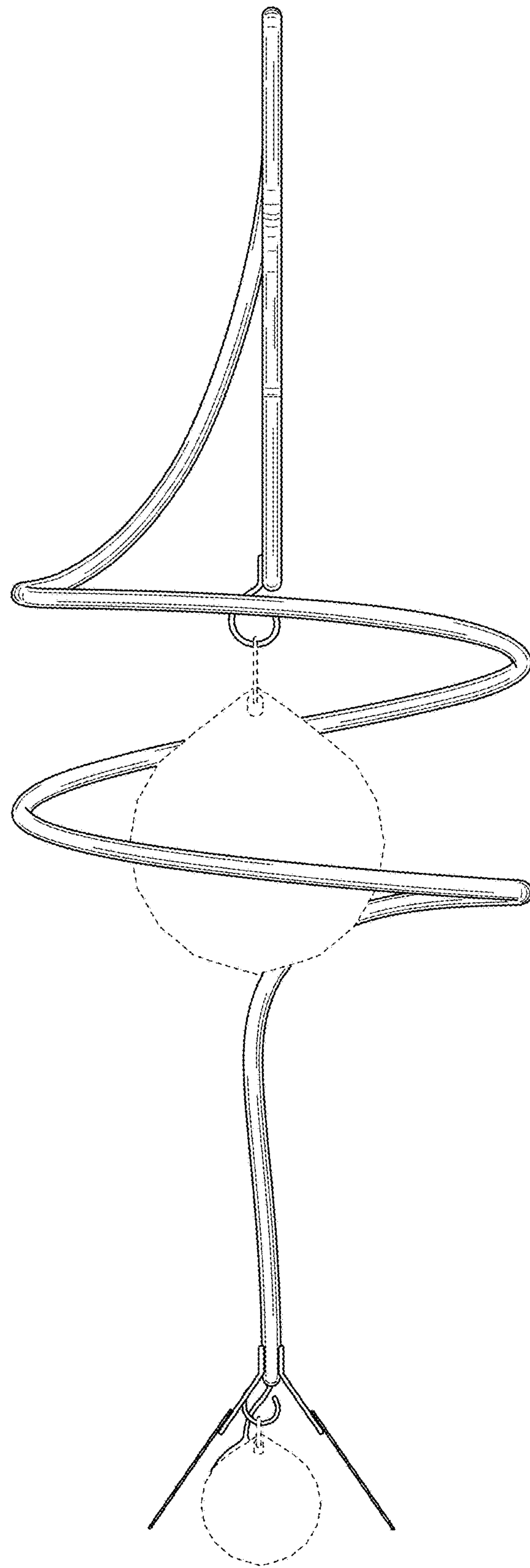


FIG. 2

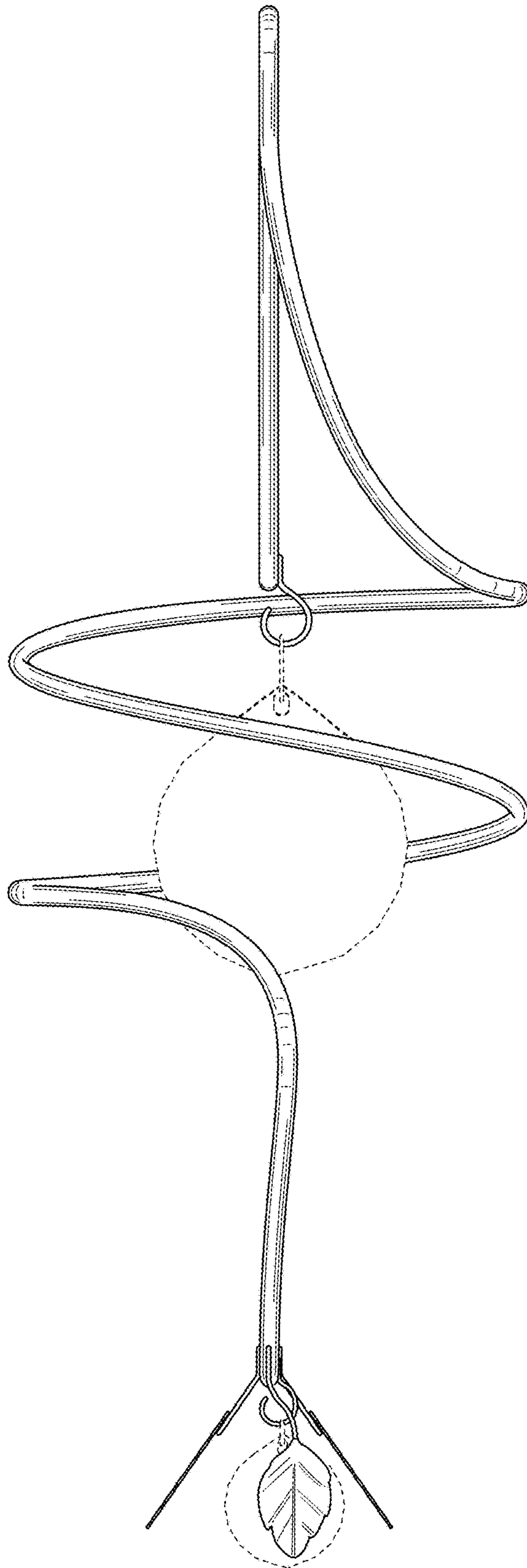


FIG. 3

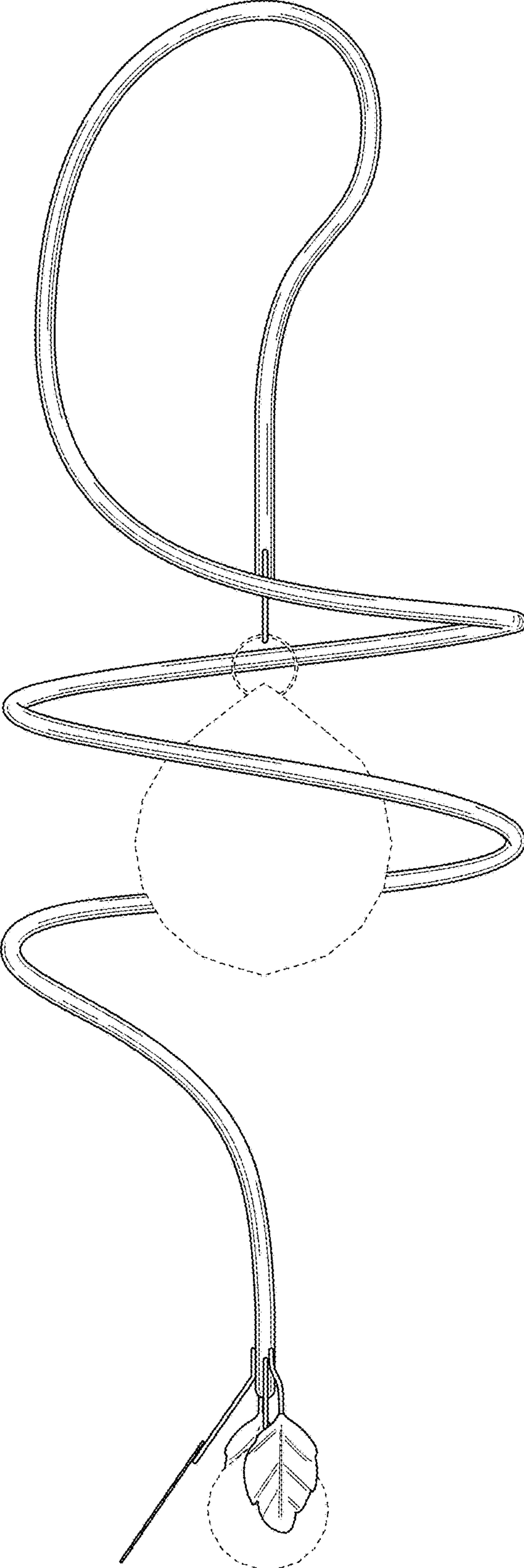


FIG. 4

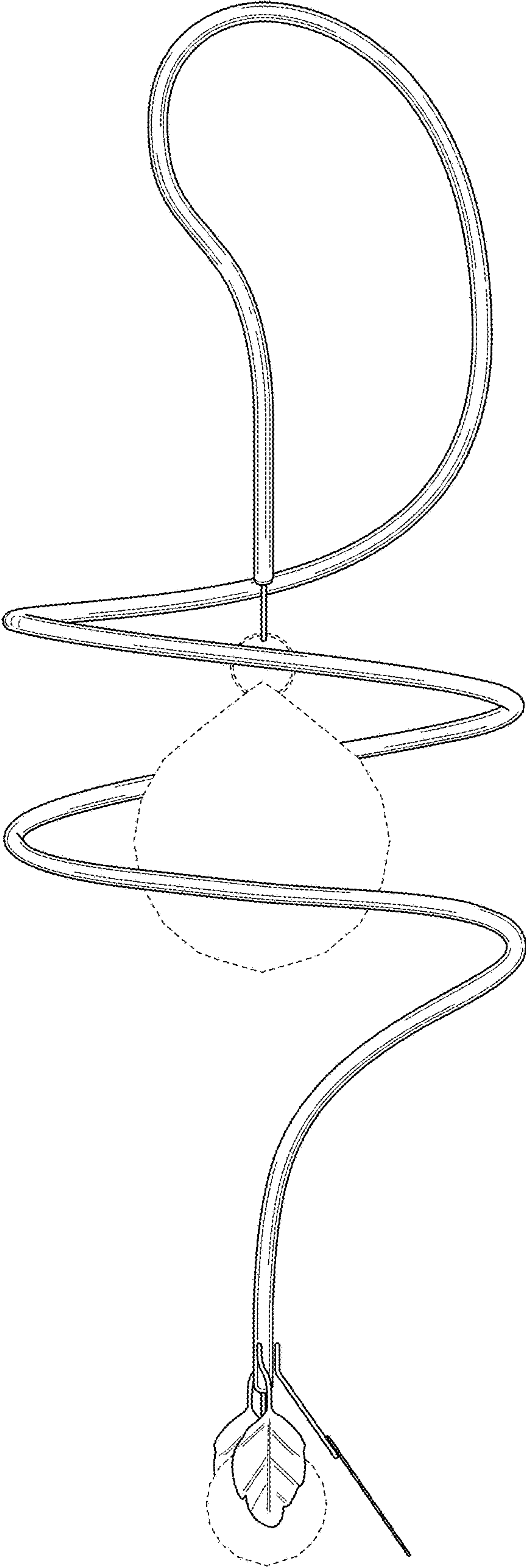


FIG. 5

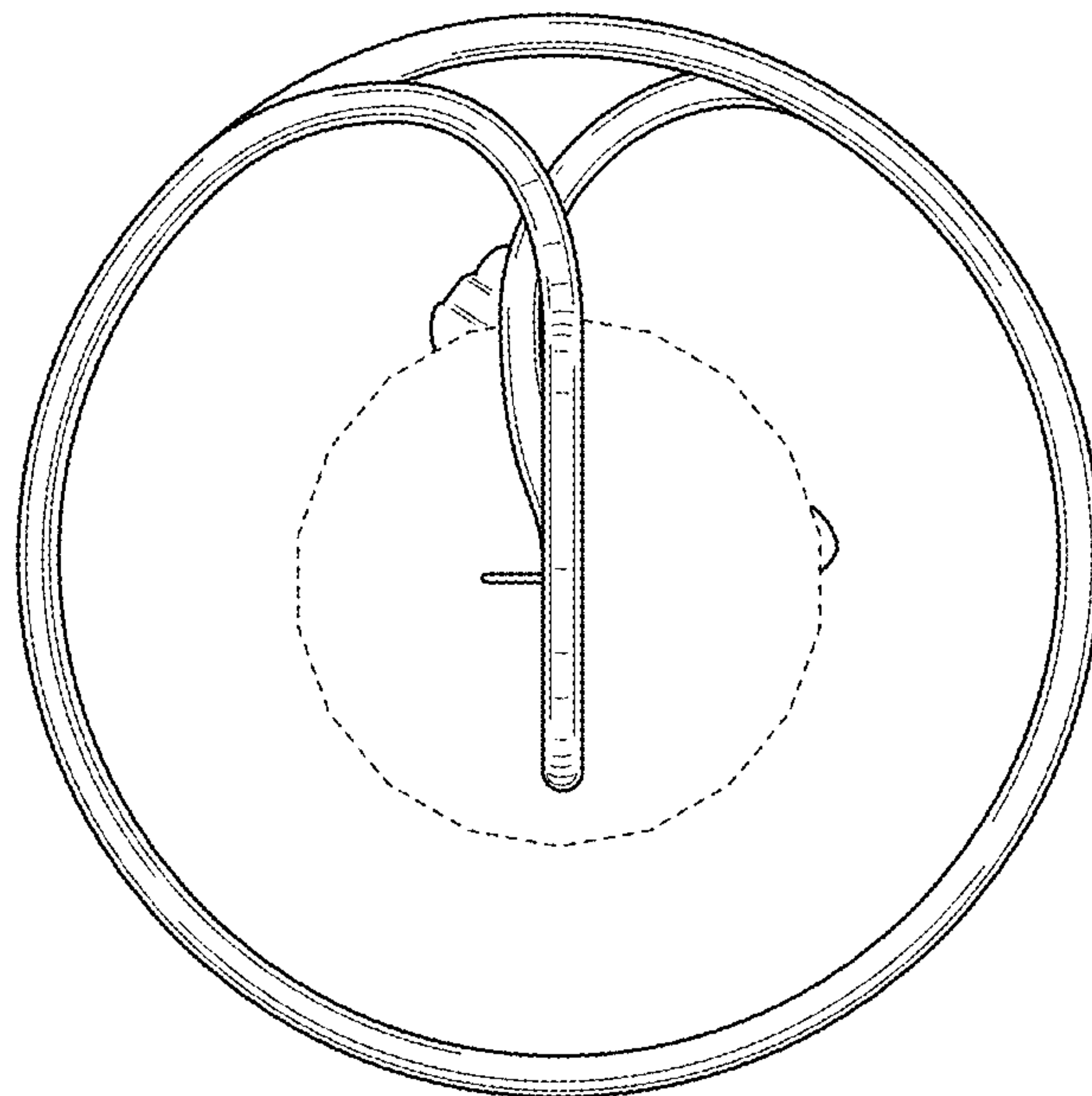


FIG. 6

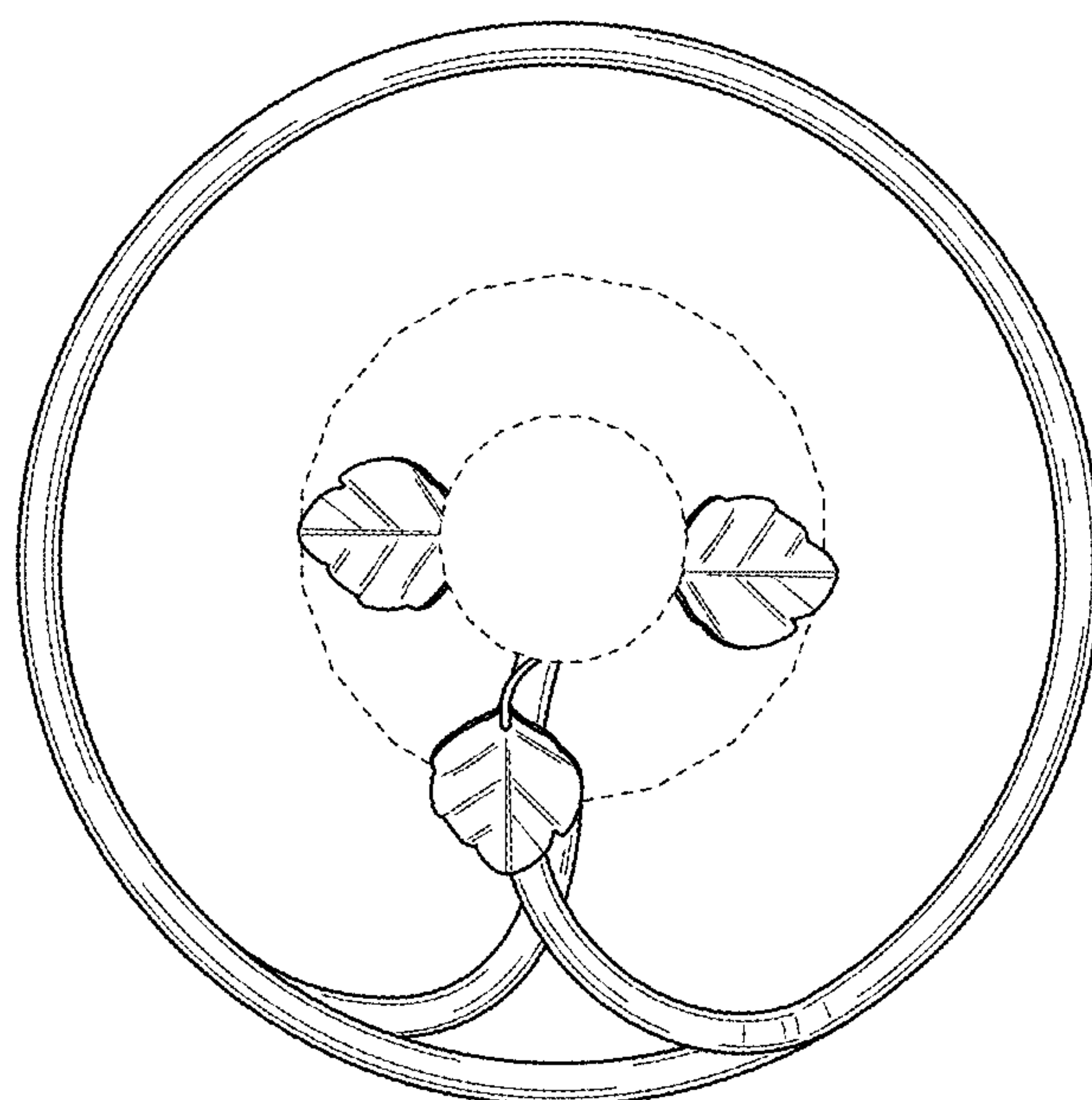


FIG. 7