



US00D805943S

(12) **United States Design Patent** (10) **Patent No.:** **US D805,943 S**
Zannella (45) **Date of Patent:** **** Dec. 26, 2017**

(54) **BRACELET WITH GROOVE FOR HAIR BAND**

A44C 15/0015; A44C 15/002; A44C 15/0025; A44C 15/003; A45D 8/36

See application file for complete search history.

(71) Applicant: **Karin Zannella**, Fairfield, CT (US)

(56) **References Cited**

(72) Inventor: **Karin Zannella**, Fairfield, CT (US)

U.S. PATENT DOCUMENTS

(73) Assignee: **AST Design, LLC**, San Diego, CA (US)

3,559,854	A	2/1971	Loveland	
D262,199	S *	12/1981	Bogner	D11/38
5,081,852	A	1/1992	Cox	
5,186,186	A	2/1993	Hamilton	
D345,715	S *	4/1994	Hundt	D11/26
5,829,457	A	11/1998	Huang	
6,276,369	B1	8/2001	Rogers	
D492,216	S *	6/2004	Schubach	D11/26
6,880,364	B1	4/2005	Vidolin	
7,140,063	B2	11/2006	Osborne	
D542,689	S *	5/2007	Daas	D11/16
D567,701	S *	4/2008	Nisguretsky	D11/39

(**) Term: **15 Years**

(21) Appl. No.: **29/538,404**

(22) Filed: **Sep. 3, 2015**

(Continued)

Related U.S. Application Data

(63) Continuation of application No. 13/675,051, filed on Nov. 13, 2012, now Pat. No. 9,265,309.

Primary Examiner — Cynthia Ramirez

Assistant Examiner — Llorellys Martinez-Rivera

(74) Attorney, Agent, or Firm — Myers Wolin, LLC

(51) **LOC (10) Cl.** **11-01**

(52) **U.S. Cl.**

USPC **D11/4**

(58) **Field of Classification Search**

USPC D11/1-18, 26, 27, 29, 30, 31, 34, 37, 38, D11/39, 40-43, 79-86; D28/41; D14/344; D7/633

CPC A44C 5/00; A44C 5/0007; A44C 5/0015; A44C 5/0023; A44C 5/003; A44C 5/0038; A44C 5/0046; A44C 5/0053; A44C 5/0061; A44C 5/0069; A44C 5/0076; A44C 5/0084; A44C 5/0092; A44C 5/12; A44C 7/00; A44C 7/002; A44C 7/004; A44C 7/005; A44C 9/00; A44C 9/0038; A44C 9/0046; A44C 9/0053; A44C 9/0061; A44C 9/0069; A44C 9/0084; A44C 9/02; A44C 15/001;

(57) **CLAIM**

The ornamental design for a bracelet with groove for hair band, as shown and described.

DESCRIPTION

FIG. 1 is a front view of a first embodiment of a bracelet with groove for hair band showing my new design in an environment of use;

FIG. 2 is a perspective view thereof;

FIG. 3 is a side view thereof;

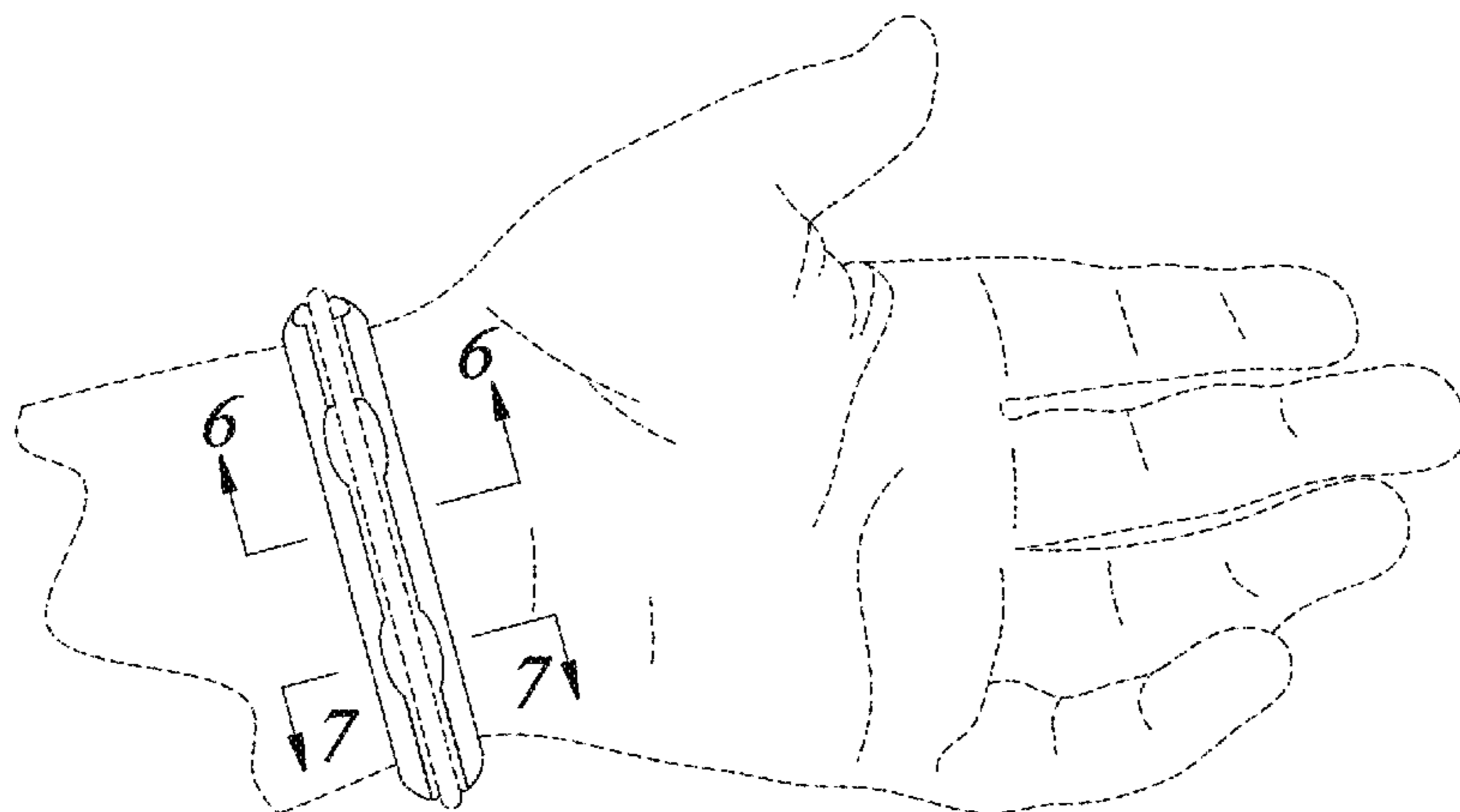
FIG. 4 is a perspective view of a second embodiment of a bracelet with groove for hair band showing my new design;

FIG. 5 is a side view thereof;

FIG. 6 is a cross-section taken along line 6-6 of FIG. 1; and, FIG. 7 is a cross-section taken along line 7-7 of FIG. 1.

The broken lines showing a hand in FIG. 1 represent environmental subject matter only and form no part of the

(Continued)



claimed design. The other broken lines in FIGS. 1, 6, and 7 represent environmental subject matter only and form no part of the claimed design.

1 Claim, 2 Drawing Sheets

(56)

References Cited

U.S. PATENT DOCUMENTS

7,543,460 B2 6/2009 Cruise
 D603,287 S 11/2009 Dzurek
 7,963,289 B1 6/2011 King
 D646,600 S 10/2011 Minkinen et al.
 D694,662 S * 12/2013 Buckley D11/3
 D717,684 S * 11/2014 Delaney D11/3
 D722,902 S * 2/2015 Mihalyo D11/3
 D733,605 S * 7/2015 Soehn D11/3
 D735,712 S * 8/2015 Nishimoto D14/344
 D757,593 S * 5/2016 Dulien D11/4
 D758,908 S * 6/2016 Waud A44C 5/0007
 D771,869 S * 11/2016 Dulien D28/41

D773,733 S * 12/2016 Dulien D28/41
 D779,367 S * 2/2017 Rose D11/26
 D786,116 S * 5/2017 Thor D11/4
 2004/0164034 A1 8/2004 Costanza
 2005/0208267 A1* 9/2005 Mazzotta A44C 5/00
 428/137
 2006/0048542 A1* 3/2006 Barry A44C 9/00
 63/15.7
 2006/0075781 A1* 4/2006 Kretchmer A44C 9/02
 63/5.1
 2009/0145454 A1 6/2009 Saponaro
 2013/0055760 A1* 3/2013 Rush A44C 5/003
 63/1.14
 2013/0133365 A1* 5/2013 Zannella A44C 5/003
 63/1.11
 2014/0090418 A1* 4/2014 Mihalyo A44C 5/0007
 63/3
 2014/0318180 A1* 10/2014 Cabe A44C 5/0007
 63/5.1
 2015/0082830 A1 3/2015 Ingimundarson
 2016/0157569 A1* 6/2016 Ingimundarson A44C 5/003
 63/1.11
 2016/0166017 A1* 6/2016 Zannella A44C 5/0007
 63/1.11
 2016/0295974 A1* 10/2016 Serfass A44C 5/0007

* cited by examiner

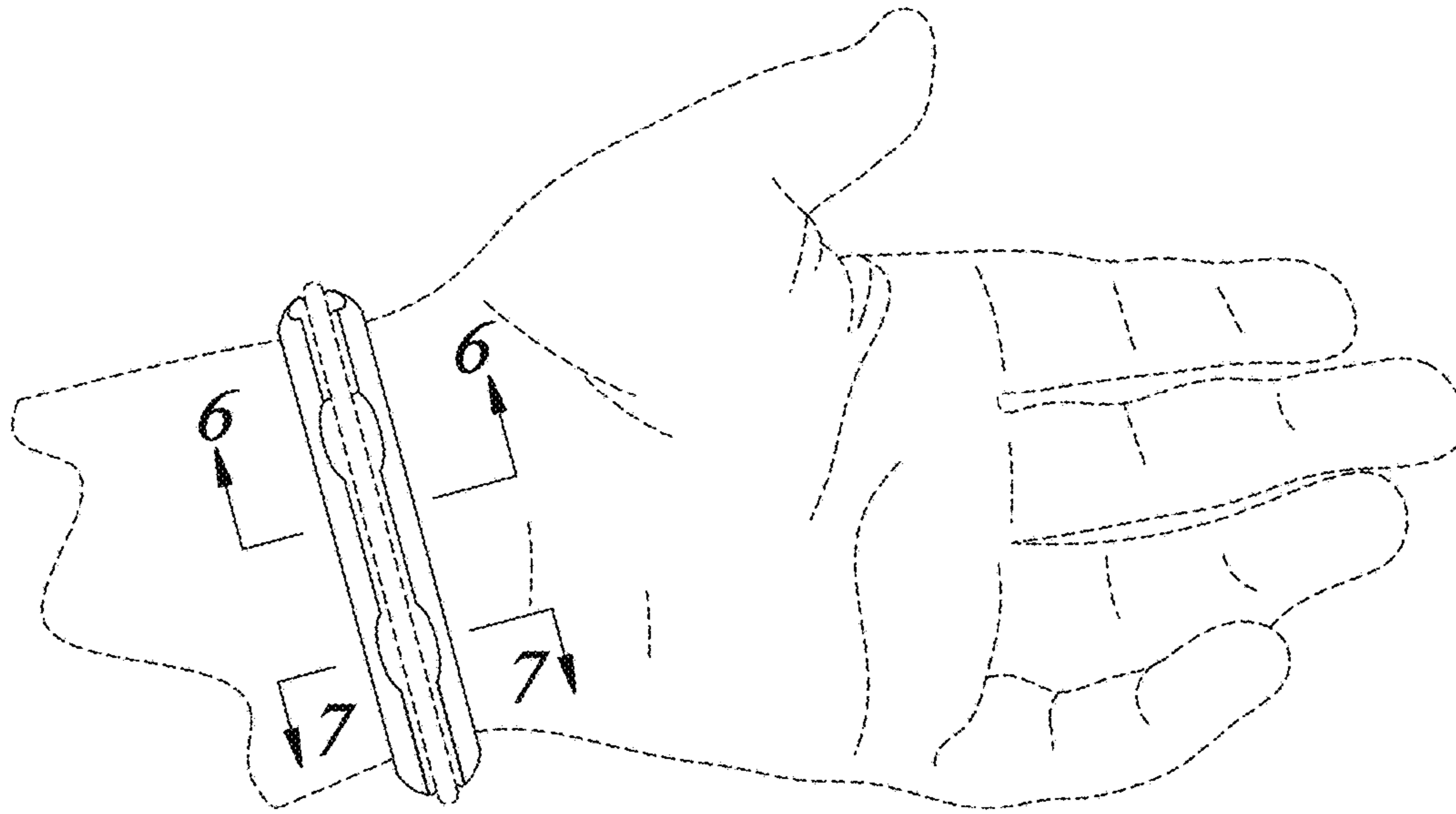


FIG. 1

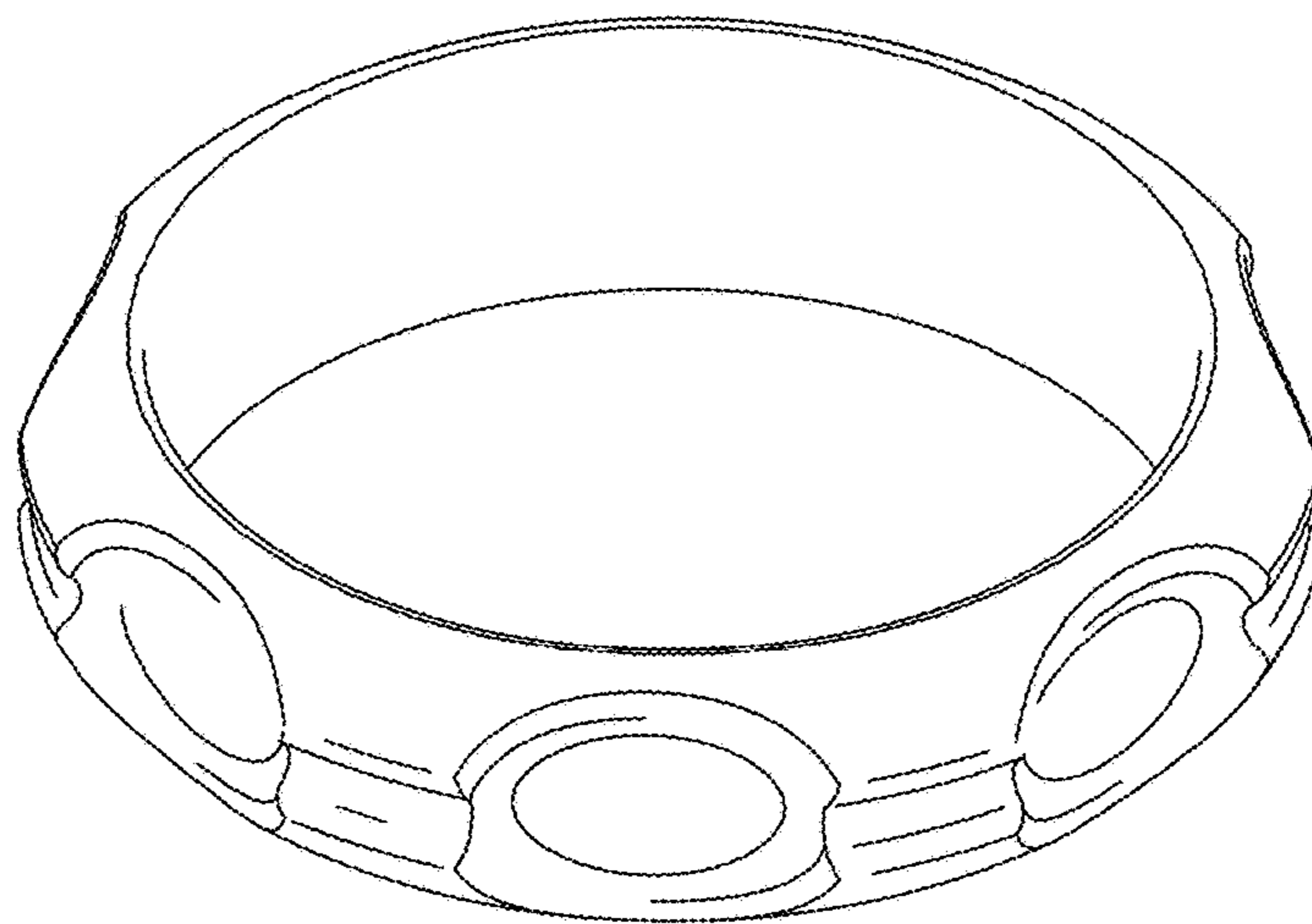


FIG. 2

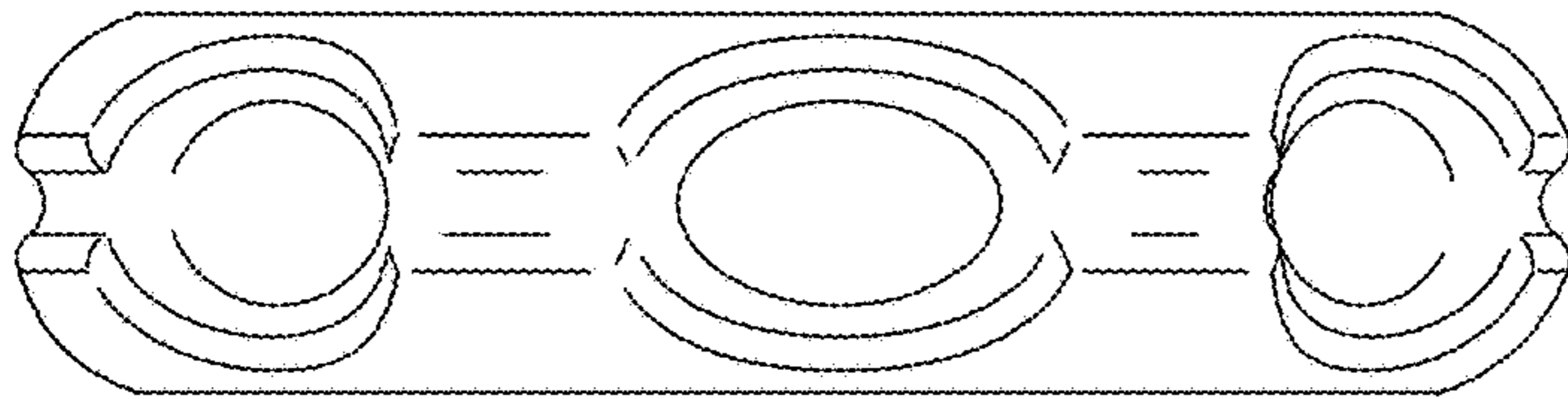


FIG. 3

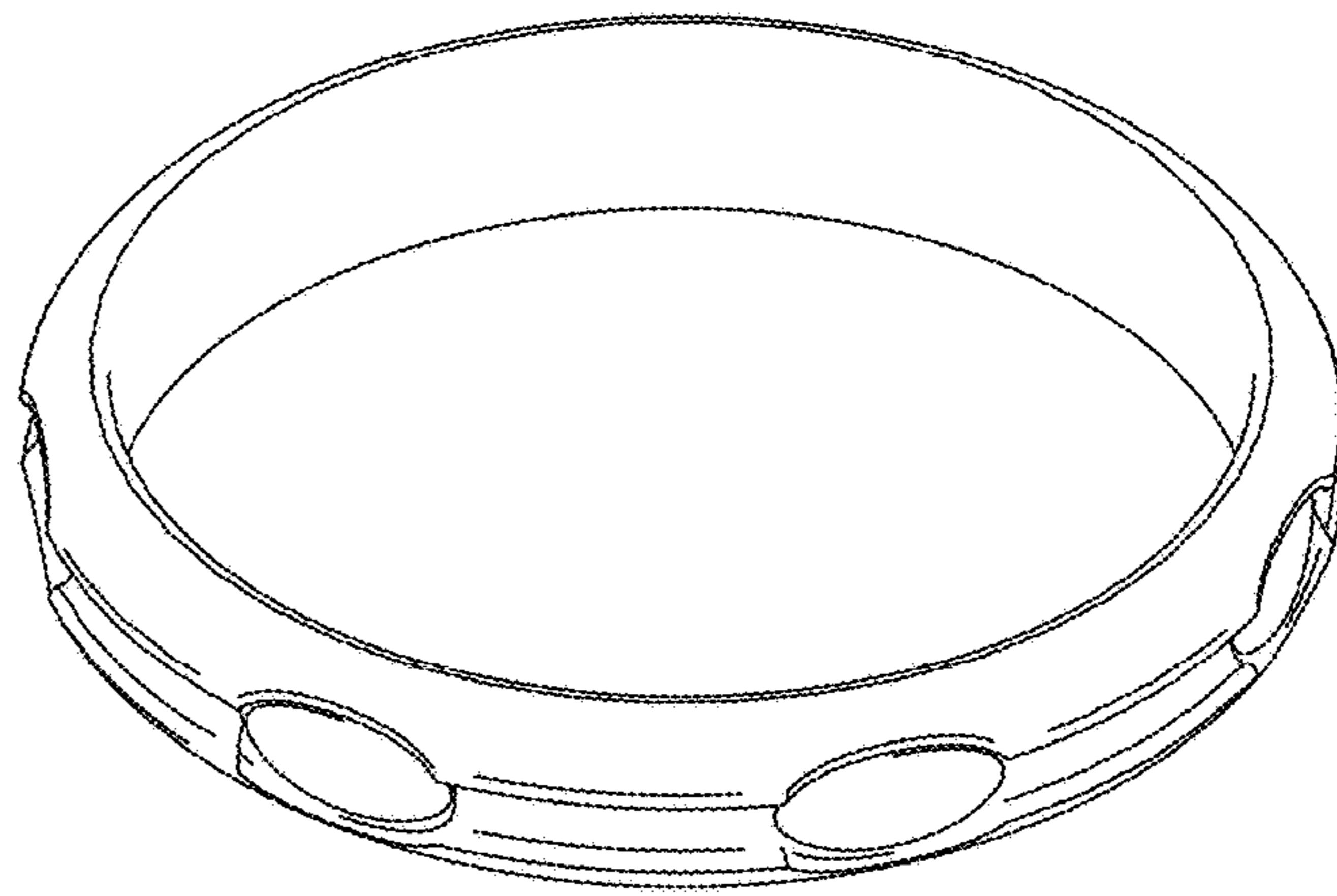


FIG. 4

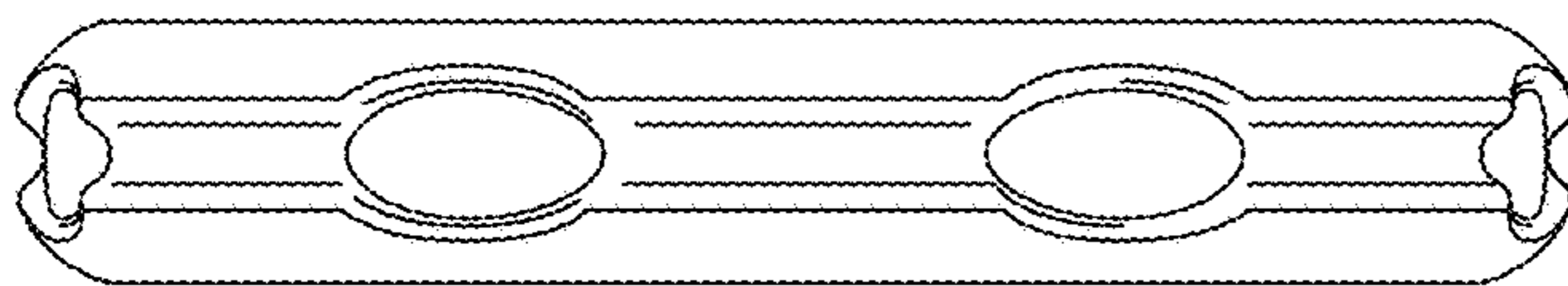


FIG. 5

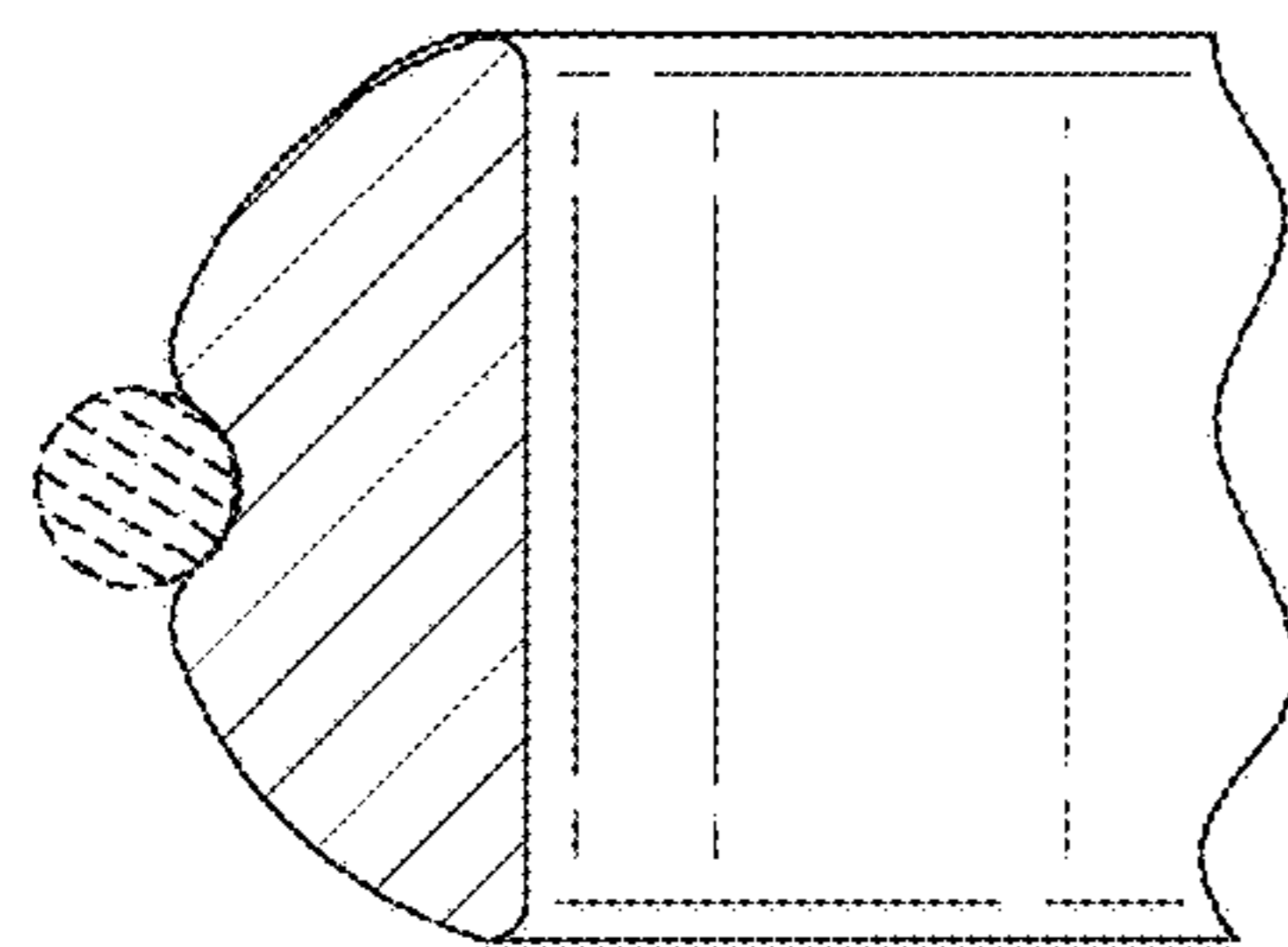


FIG. 6

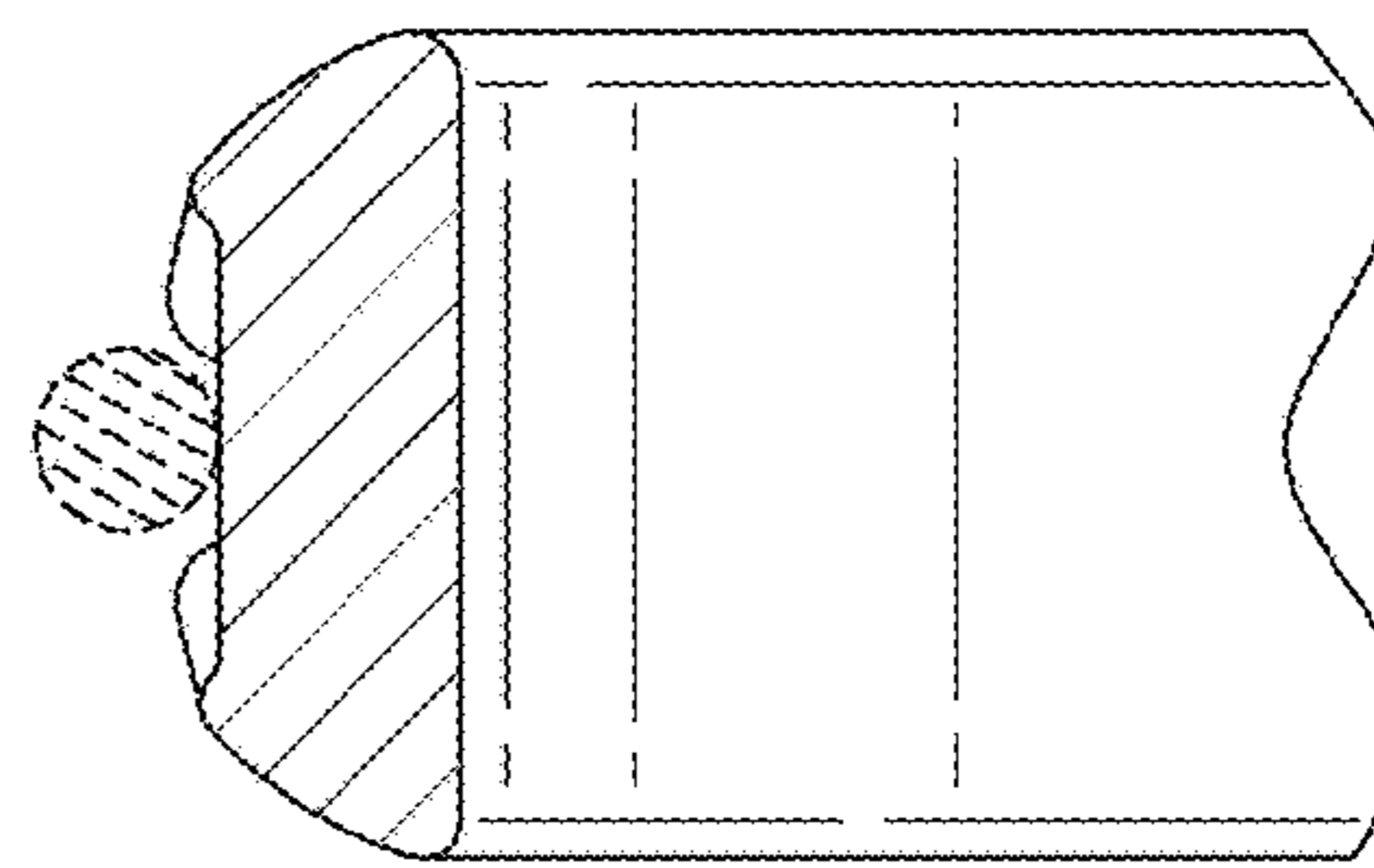


FIG. 7