



US00D805942S

(12) **United States Design Patent** (10) **Patent No.:** **US D805,942 S**
Koelewyn (45) **Date of Patent:** **** Dec. 26, 2017**

(54) **HUB AND HANDS OF A WATCH**

FOREIGN PATENT DOCUMENTS

(71) Applicant: **Robert W. Koelewyn**, Trumbull, CT
(US)

CH 311076 A * 11/1955 G04B 27/026
CH 640689 A * 1/1984 G04B 37/0008

(72) Inventor: **Robert W. Koelewyn**, Trumbull, CT
(US)

(Continued)

(**) Term: **15 Years**

OTHER PUBLICATIONS

(21) Appl. No.: **29/558,923**

Replica Watch, Franken Project Part Four: The PAM086D, posted on Nov. 12, 2014, [online], [site visited Apr. 20, 2017]. Available from Internet, <URL: <https://forum.replica-watch.info/threads/pcteam-franken-project-part-four-the-pam086d.200328/>>.*

(22) Filed: **Mar. 23, 2016**

(Continued)

(51) **LOC (10) Cl.** **10-07**

(52) **U.S. Cl.**
USPC **D10/127**

(58) **Field of Classification Search**
USPC D10/1-29, 30-39, 122-132; D14/341, D14/344; D11/1, 2, 3, 4
CPC .. G04B 17/08; G04B 17/063; G04B 37/0008; G04B 37/081; G04B 37/082; G04B 37/0058; G04B 37/18; G04B 37/22; G04B 37/0066; G04B 37/12; G04B 19/00; G04B 19/04; G04B 19/06; G04B 19/065; G04B 19/10; G04B 19/12; G04B 19/166; G04B 19/23; G04B 19/235; G04B 19/24; G04B 19/26; G04B 19/268; G04B 45/0069; G04B 45/0076

Primary Examiner — Sheryl Lane
Assistant Examiner — Samantha N Wood
(74) *Attorney, Agent, or Firm* — Dunlap Bennett & Ludwig PLLC

See application file for complete search history.

(57) **CLAIM**

The ornamental design for a hub and hands of a watch, as shown and described.

(56) **References Cited**

U.S. PATENT DOCUMENTS

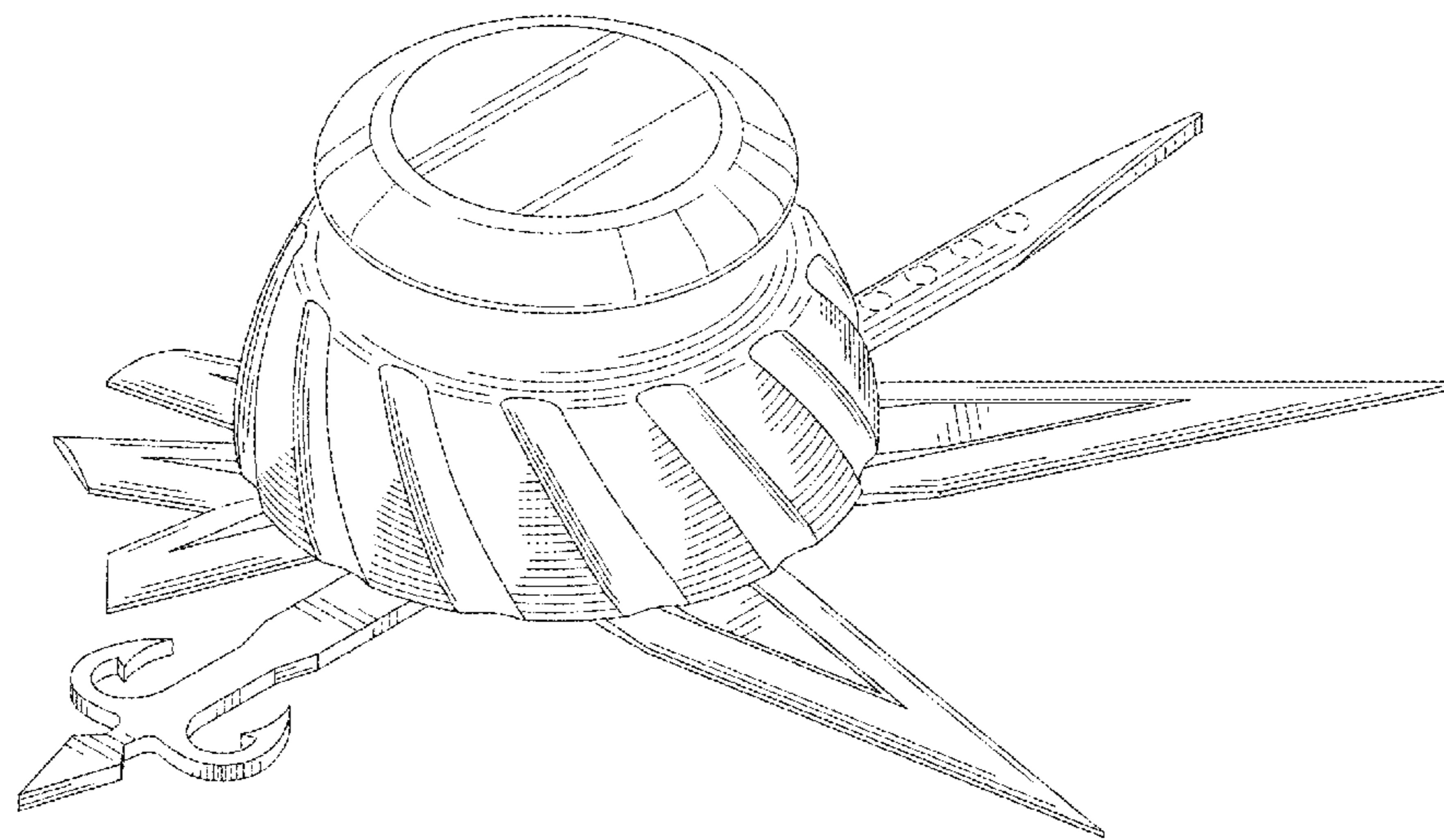
D11,689 S * 3/1880 Hunziker D10/131
D39,782 S * 1/1909 Walker D10/127
D154,873 S * 8/1949 Newhouse D10/122
D243,516 S * 3/1977 Vajk D10/126
D313,196 S * 12/1990 Yoshizawa D10/122
D327,021 S * 6/1992 Burgener D10/30
D386,420 S * 11/1997 Kennedy D10/30
D397,945 S * 9/1998 Gruosi D10/30
D444,077 S * 6/2001 Blondin D10/39
D554,018 S * 10/2007 Laucella D10/131

(Continued)

DESCRIPTION

FIG. 1 is a top front perspective view of a hub and hands of a watch;
FIG. 2 is a top plan view of FIG. 1;
FIG. 3 is a bottom plan view of FIG. 1;
FIG. 4 is a front elevation view of FIG. 1;
FIG. 5 is a rear elevation view of FIG. 1;
FIG. 6 is a right elevation view of FIG. 1;
FIG. 7 is a left elevation view of FIG. 1; and,
FIG. 8 is a perspective view of the FIG. 1, shown in use.
The broken lines shown in FIG. 8 depict environmental subject matter that forms no part of the claimed design, while the remaining broken lines shown in the drawings depict portions of the hub and hands of a watch that form no part of the claimed design.

1 Claim, 6 Drawing Sheets



(56)

References Cited

U.S. PATENT DOCUMENTS

D571,683 S * 6/2008 Calvani D10/124
D645,364 S * 9/2011 Duport D10/39
D700,529 S * 3/2014 Berezkin D10/31
D705,085 S * 5/2014 Monachon D10/34
D746,717 S * 1/2016 Cerrato D10/127
D747,232 S * 1/2016 Gueit D10/127
D764,338 S * 8/2016 Cerrato D10/127

FOREIGN PATENT DOCUMENTS

DE 102007018287 A1 * 10/2008 G04B 19/042
EP 1921518 A1 * 5/2008 G04B 13/026
EP 1973013 A1 * 9/2008 G04B 17/08
FR 2602599 A1 * 2/1988 G04B 19/235

OTHER PUBLICATIONS

K & H Watchmaking, Post Basel Student Work 2, posted on May 19, 2013, [online], [site visited Apr. 20, 2017]. Available from Internet, <URL: http://khwcc.blogspot.com/2013_05_01_archive.html>.*

* cited by examiner

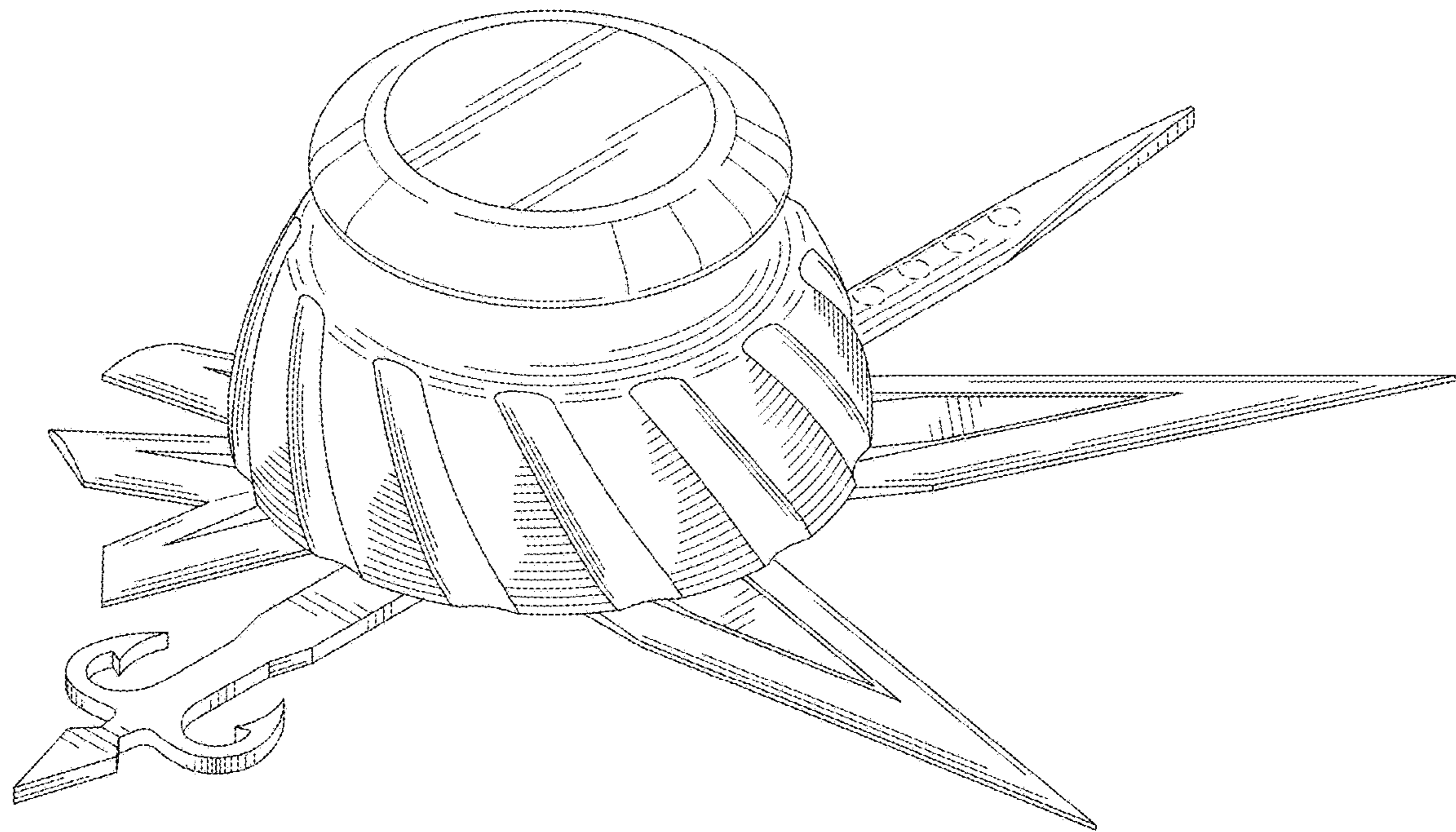


FIG. 1

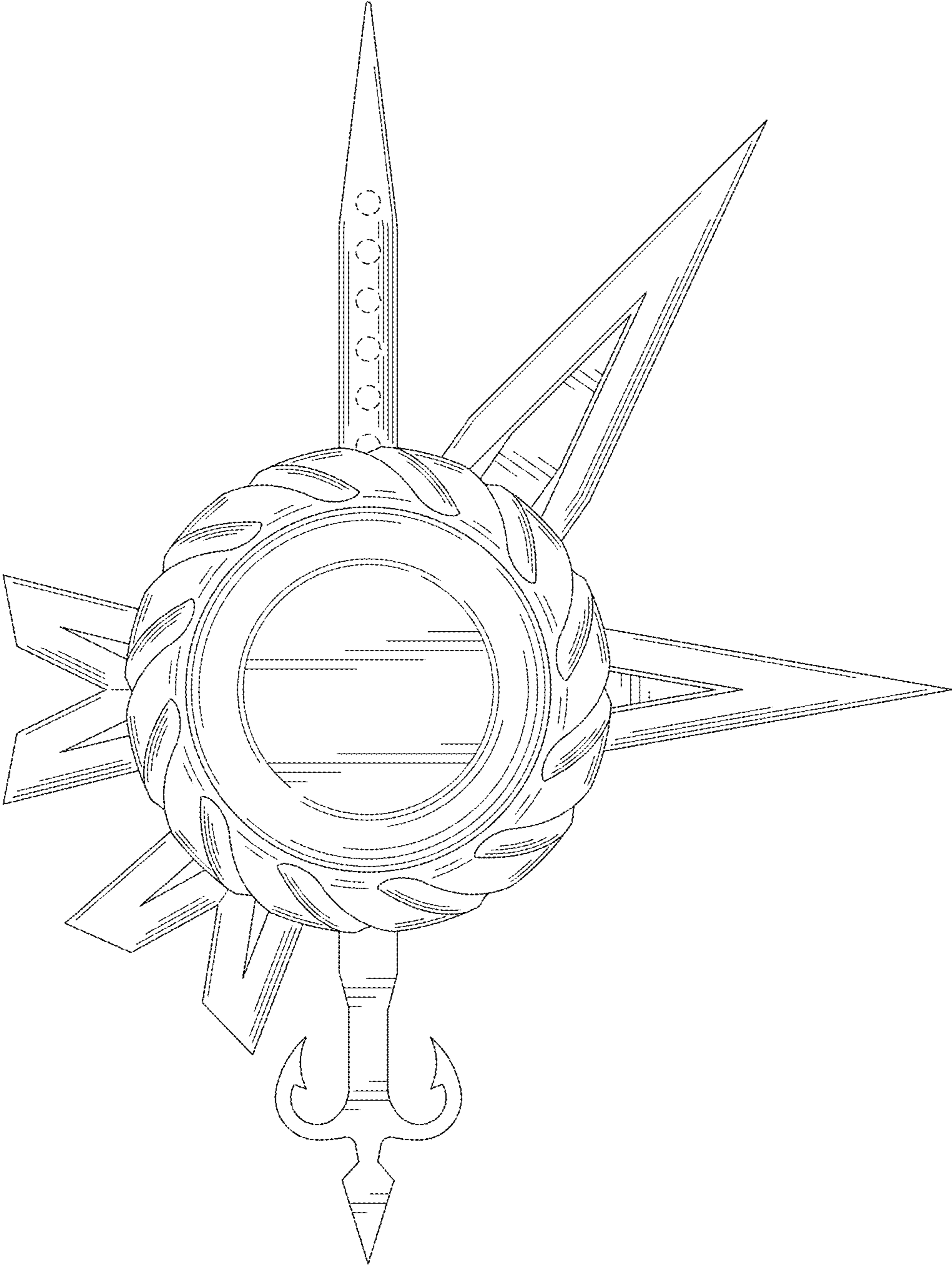


FIG. 2

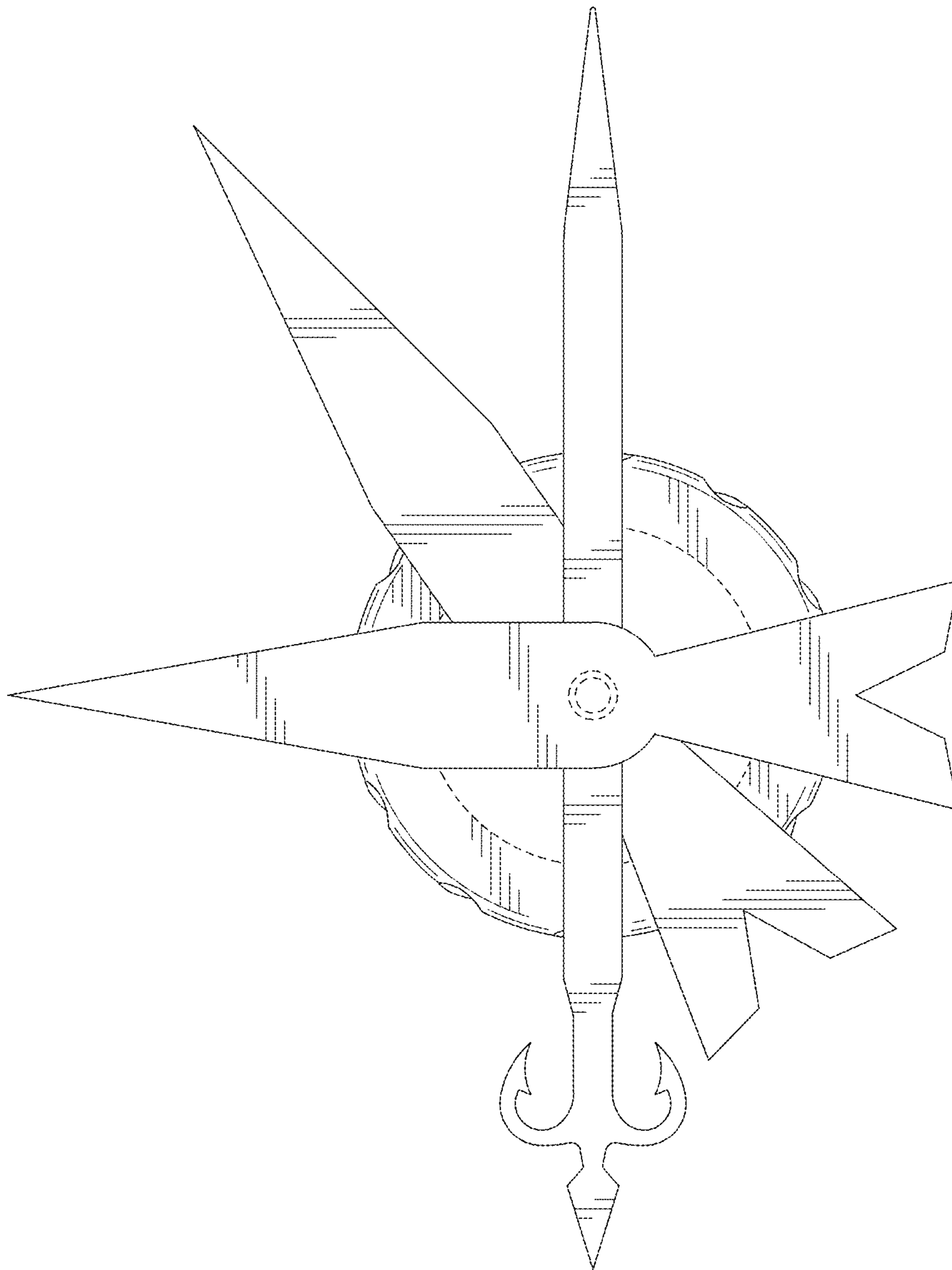


FIG.3

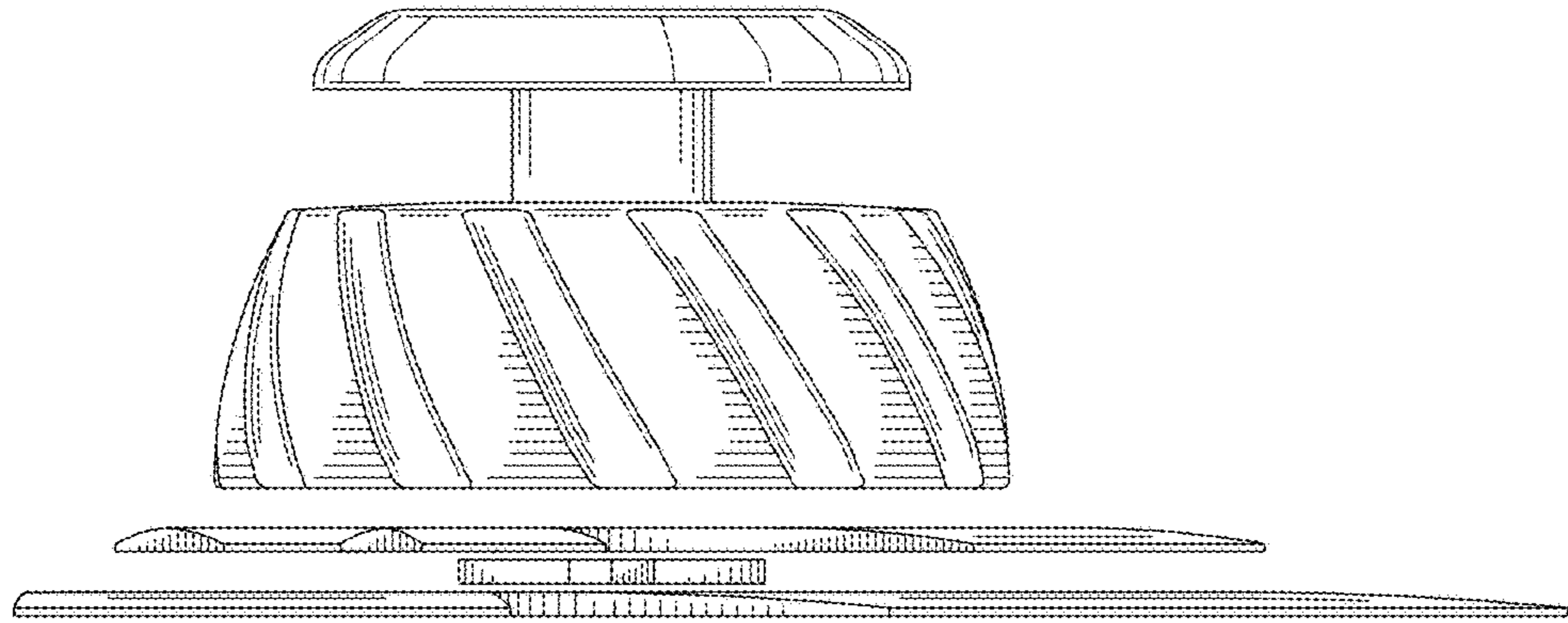


FIG. 4

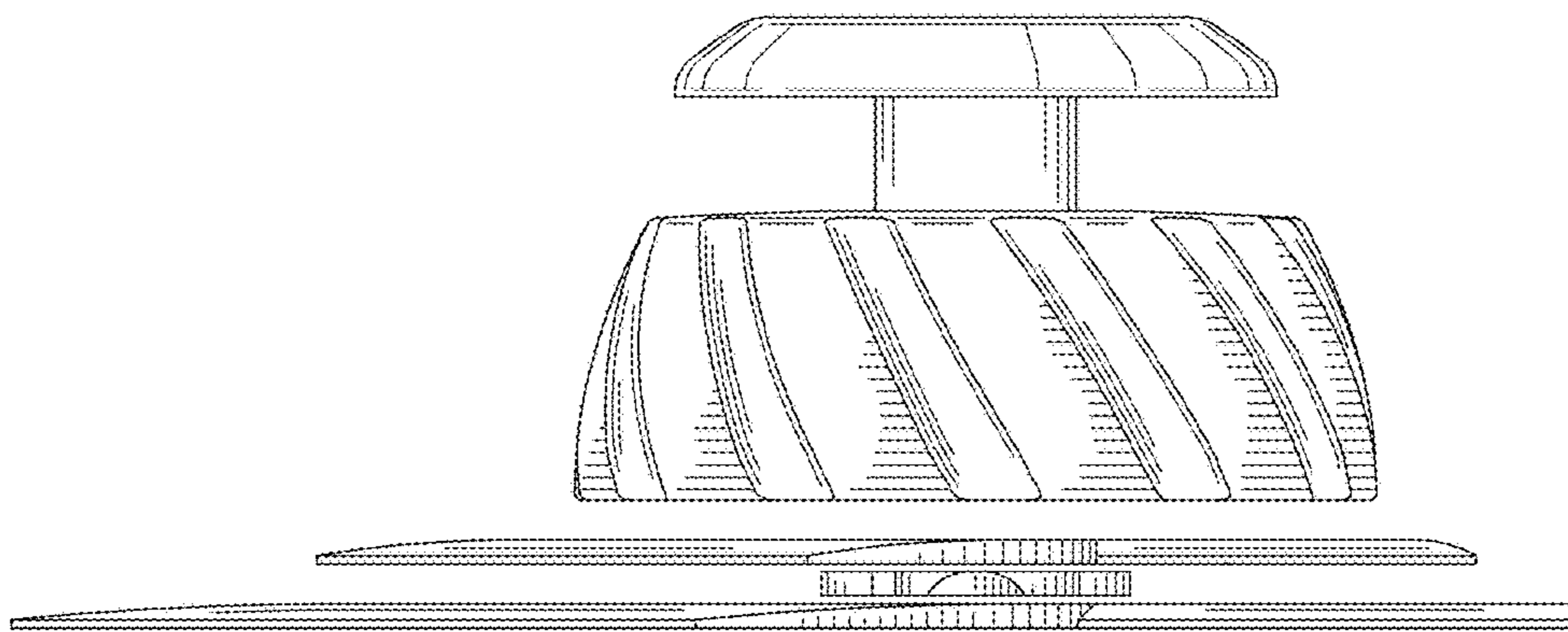


FIG. 5

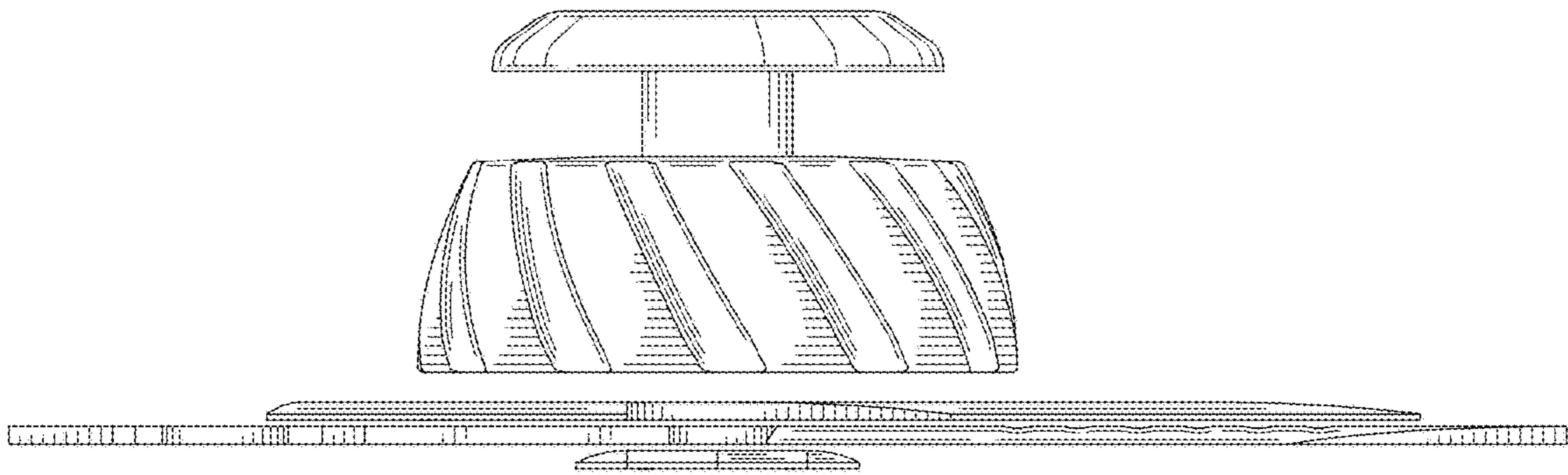


FIG. 6

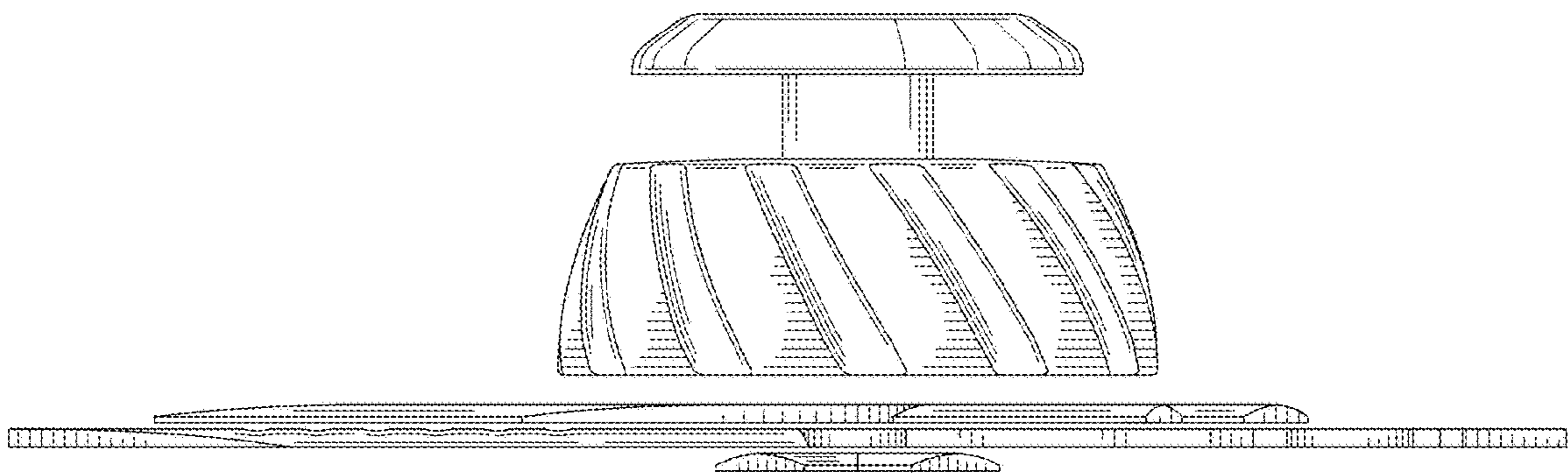


FIG. 7

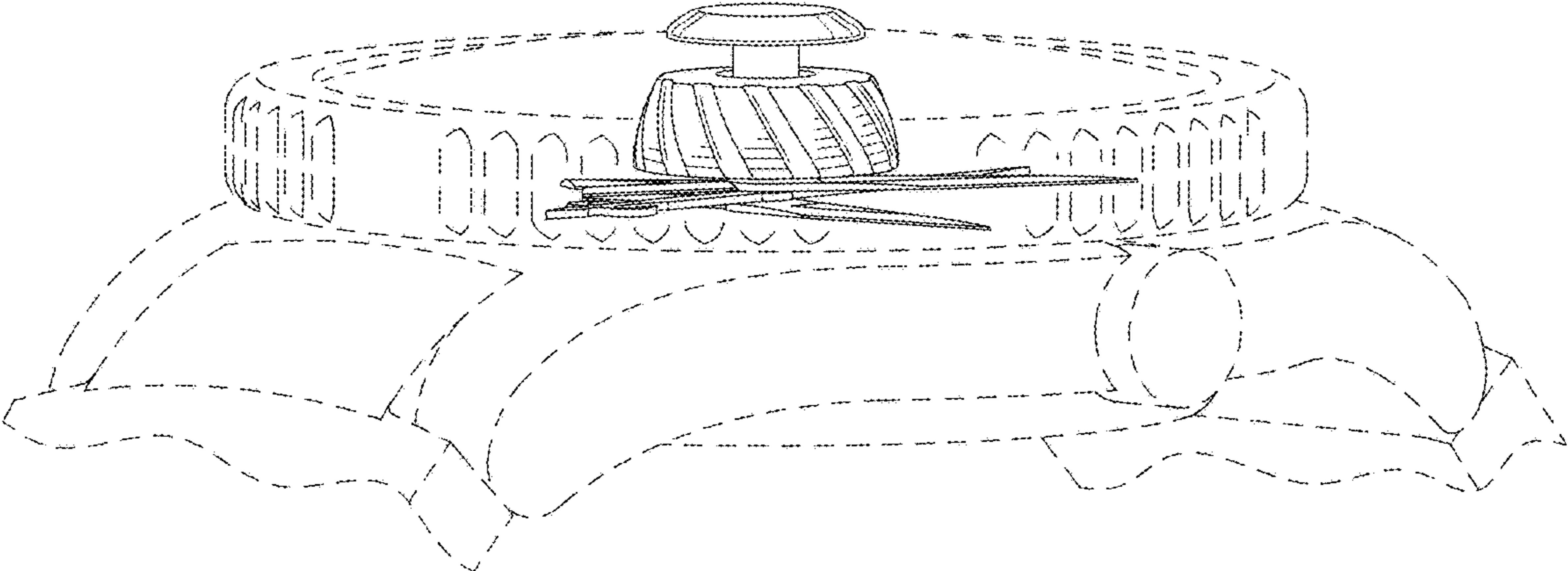


FIG.8