



US00D805940S

(12) **United States Design Patent** (10) **Patent No.:** **US D805,940 S**  
**Taylor et al.** (45) **Date of Patent:** **\*\* Dec. 26, 2017**

(54) **SOUNDER FOR ALARM UNIT**

(71) Applicant: **Tyco Fire & Security GmbH**,  
Neuhausen am Rheinfall (CH)

(72) Inventors: **Paul J. Taylor**, Working (GB); **Faruk Meah**, Working (GB); **Andreas Brenner**, Höhenkirchen (DE); **Jake Pearson**, Harlow (GB)

(73) Assignee: **Tyco Fire & Security GmbH**,  
Neuhausen am Rheinfall (CH)

(\*\*) Term: **15 Years**

(21) Appl. No.: **29/590,034**

(22) Filed: **Jan. 6, 2017**

(30) **Foreign Application Priority Data**

Nov. 30, 2016 (EP) ..... 003493139-0001  
Nov. 30, 2016 (EP) ..... 003493139-0002  
Nov. 30, 2016 (EP) ..... 003493139-0003

(51) **LOC (10) Cl.** ..... **10-05**

(52) **U.S. Cl.**  
USPC ..... **D10/106.5**

(58) **Field of Classification Search**  
USPC ..... D10/104.1, 106.1, 106.2, 106.3, 106.5  
CPC ..... G08B 17/00; G08B 17/06; G08B 17/10-17/12; G08B 17/103; G08B 17/107  
See application file for complete search history.

(56) **References Cited**

U.S. PATENT DOCUMENTS

D340,416 S \* 10/1993 Fenne ..... D10/106.5  
D700,095 S \* 2/2014 Dohi ..... D10/106.5  
D757,585 S \* 5/2016 Hojmose ..... D10/106.1  
D769,756 S \* 10/2016 Hojmose ..... D10/106.2  
D773,947 S \* 12/2016 Scarcella ..... D10/104.1  
2008/0018485 A1 \* 1/2008 Kadwell ..... G08B 17/107  
340/630

\* cited by examiner

*Primary Examiner* — George D. Kirschbaum  
*Assistant Examiner* — Joseph J Kukella  
(74) *Attorney, Agent, or Firm* — HoustonHogle LLP

(57) **CLAIM**

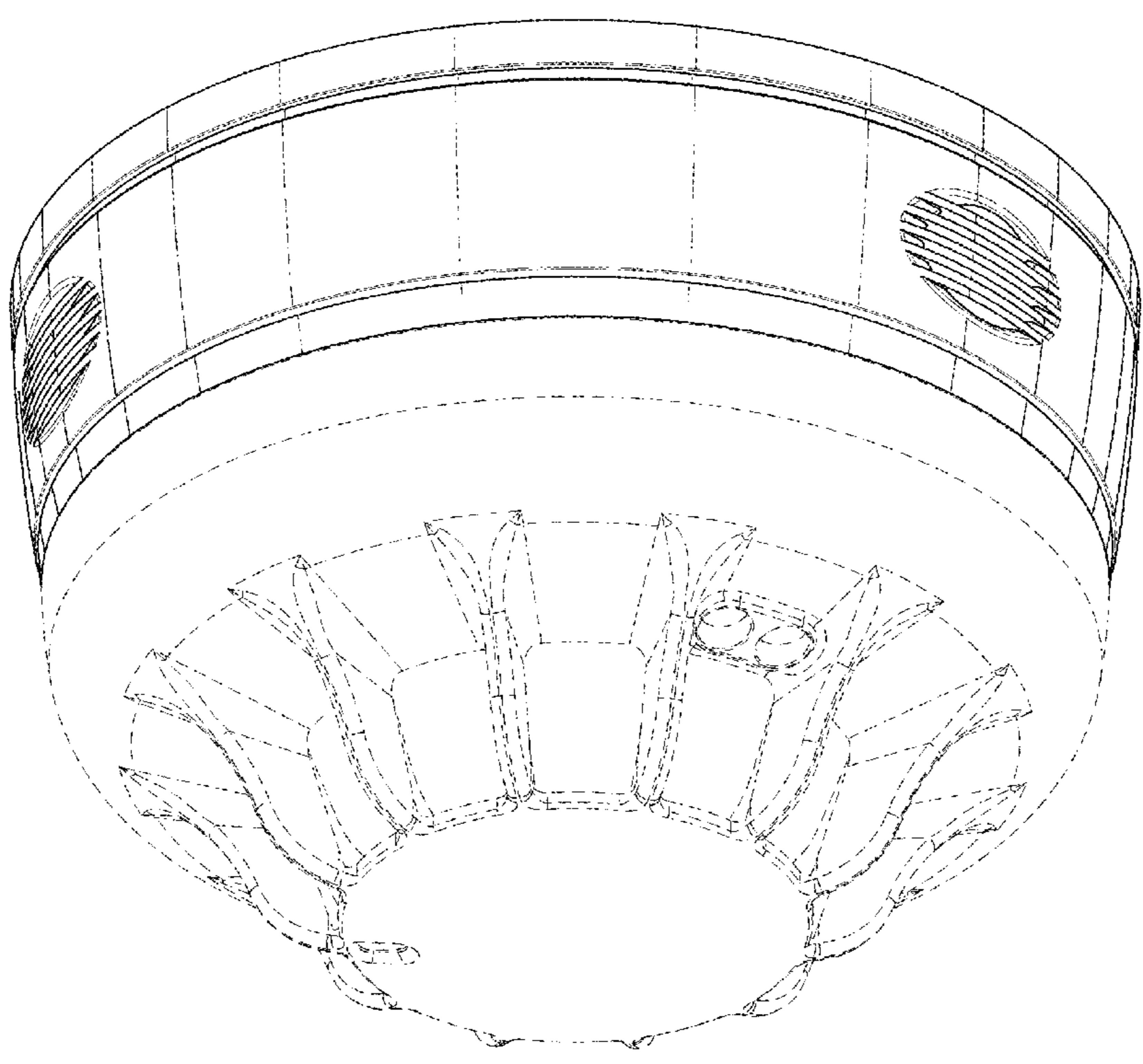
The ornamental design for a sounder for alarm unit, as shown and described.

**DESCRIPTION**

FIG. 1 is a perspective view of a sounder for alarm unit in accordance with a first embodiment of the present invention; FIG. 2 is front side view thereof; FIG. 3 is right side view thereof; FIG. 4 is left side view thereof; FIG. 5 is rear side view thereof; FIG. 6 is bottom view thereof; and, FIG. 7 is top view thereof.

The features shown in broken lines in the various Figures are for illustrating environmental structure and form no part of the claimed design.

**1 Claim, 7 Drawing Sheets**



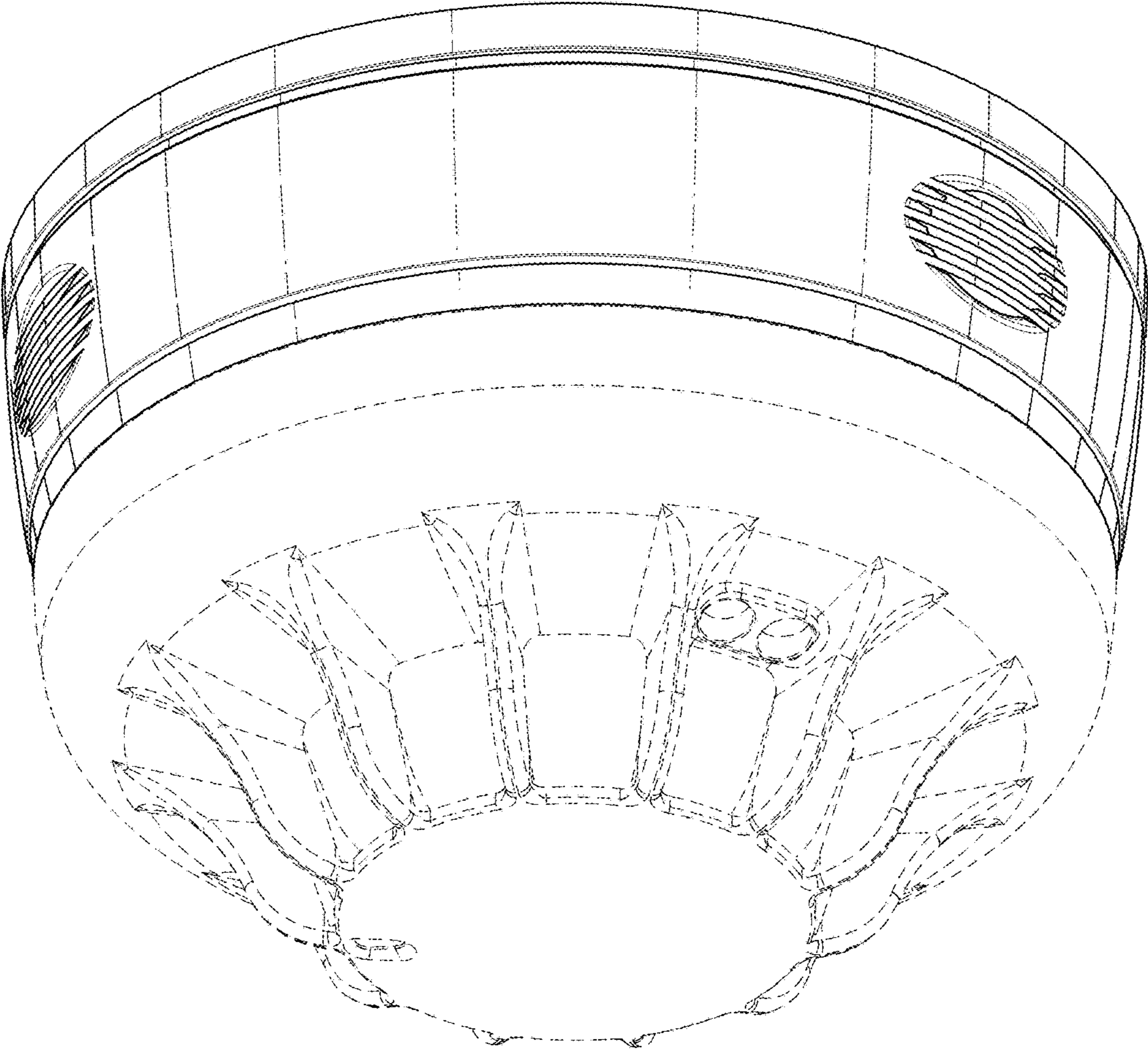


FIG. 1

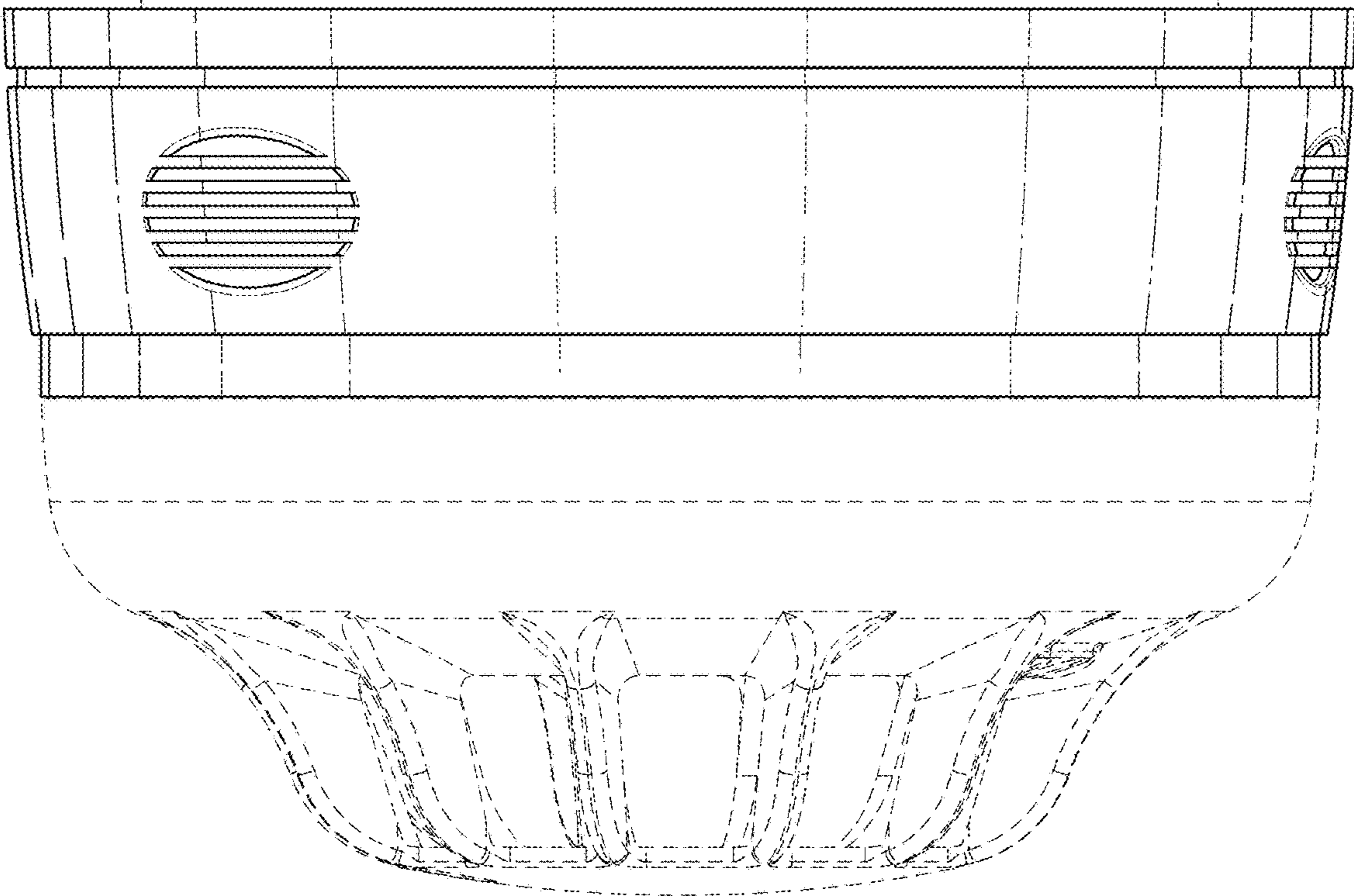
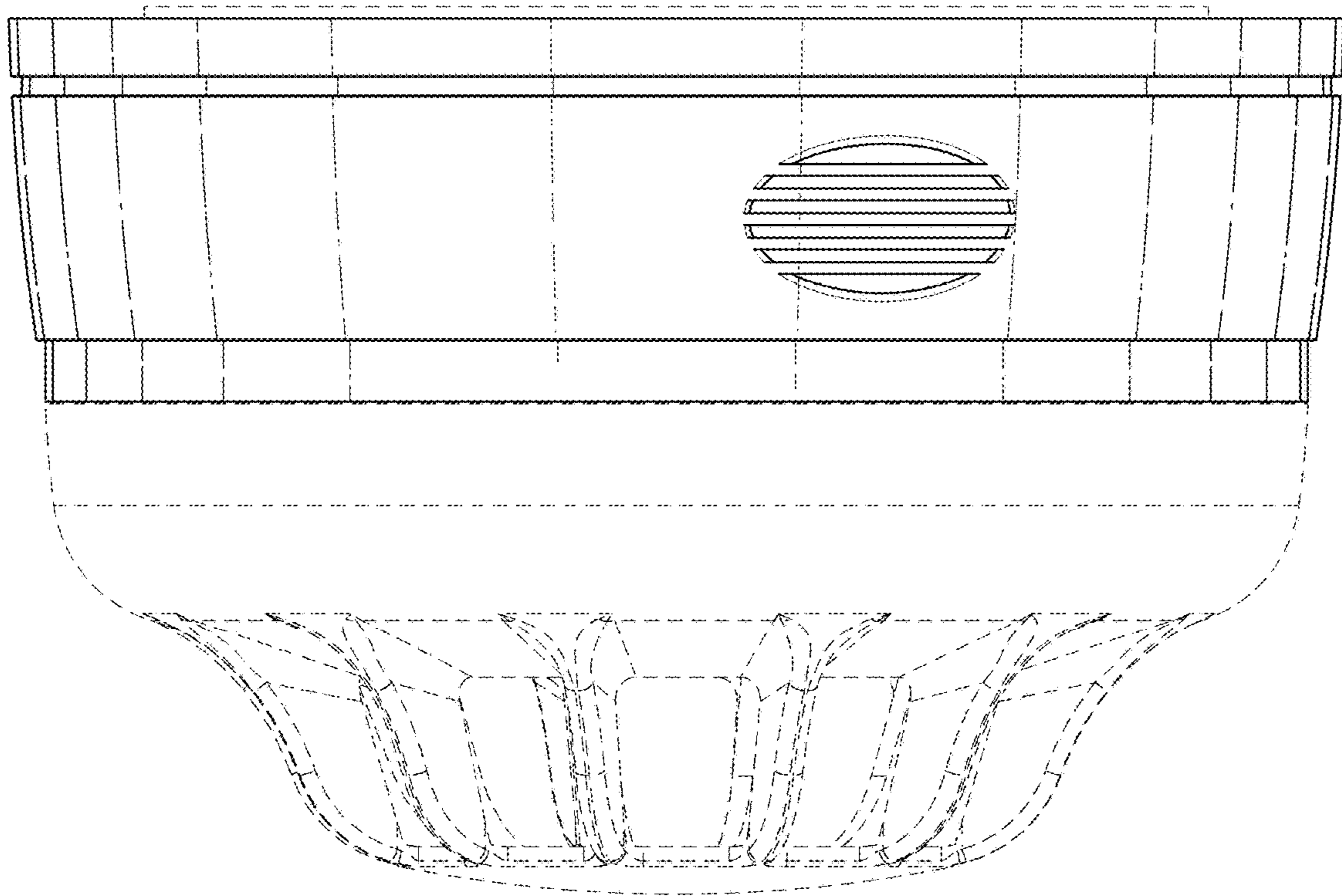


FIG. 2



*FIG. 3*



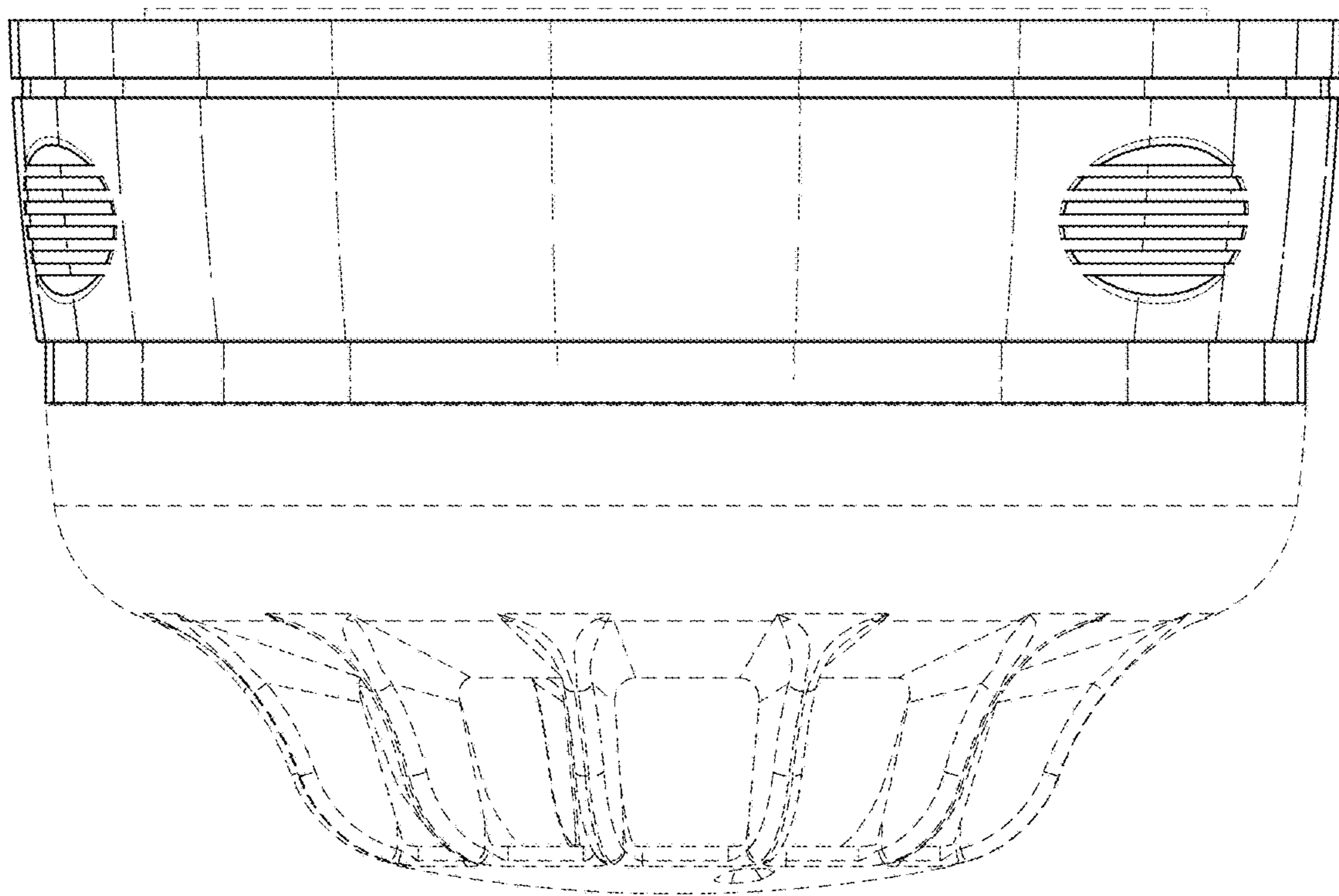


FIG. 4

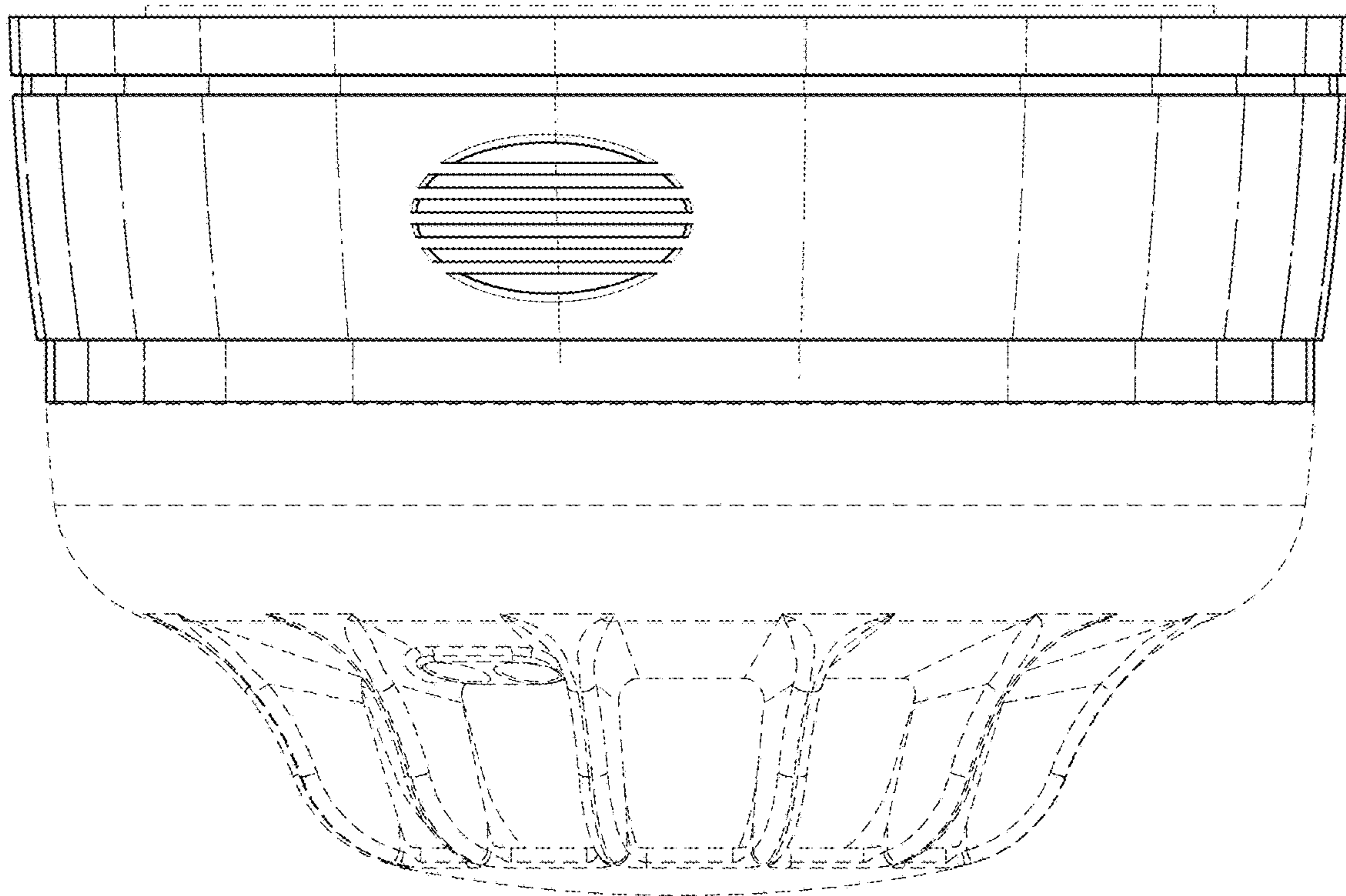


FIG. 5

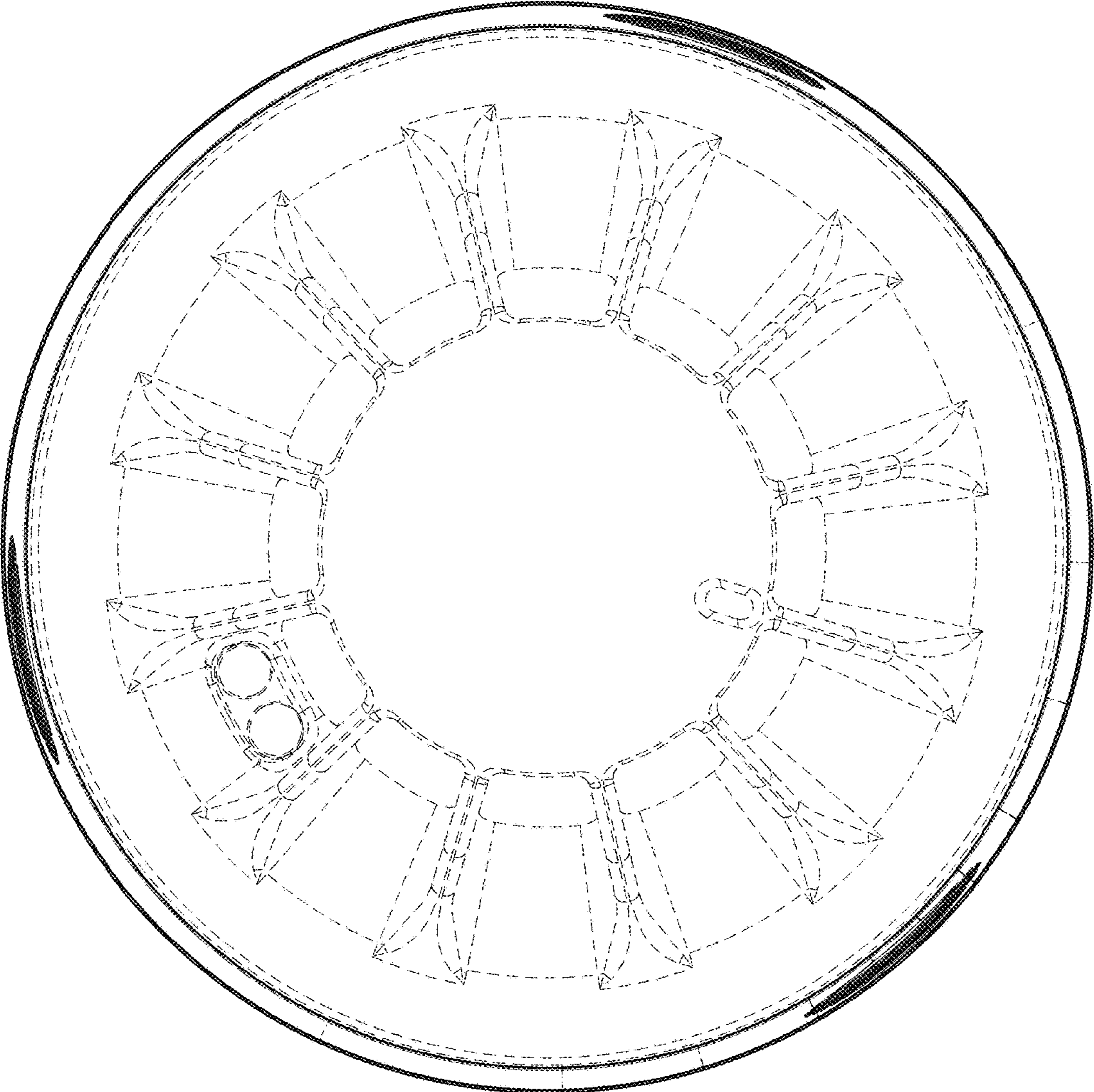


FIG. 6

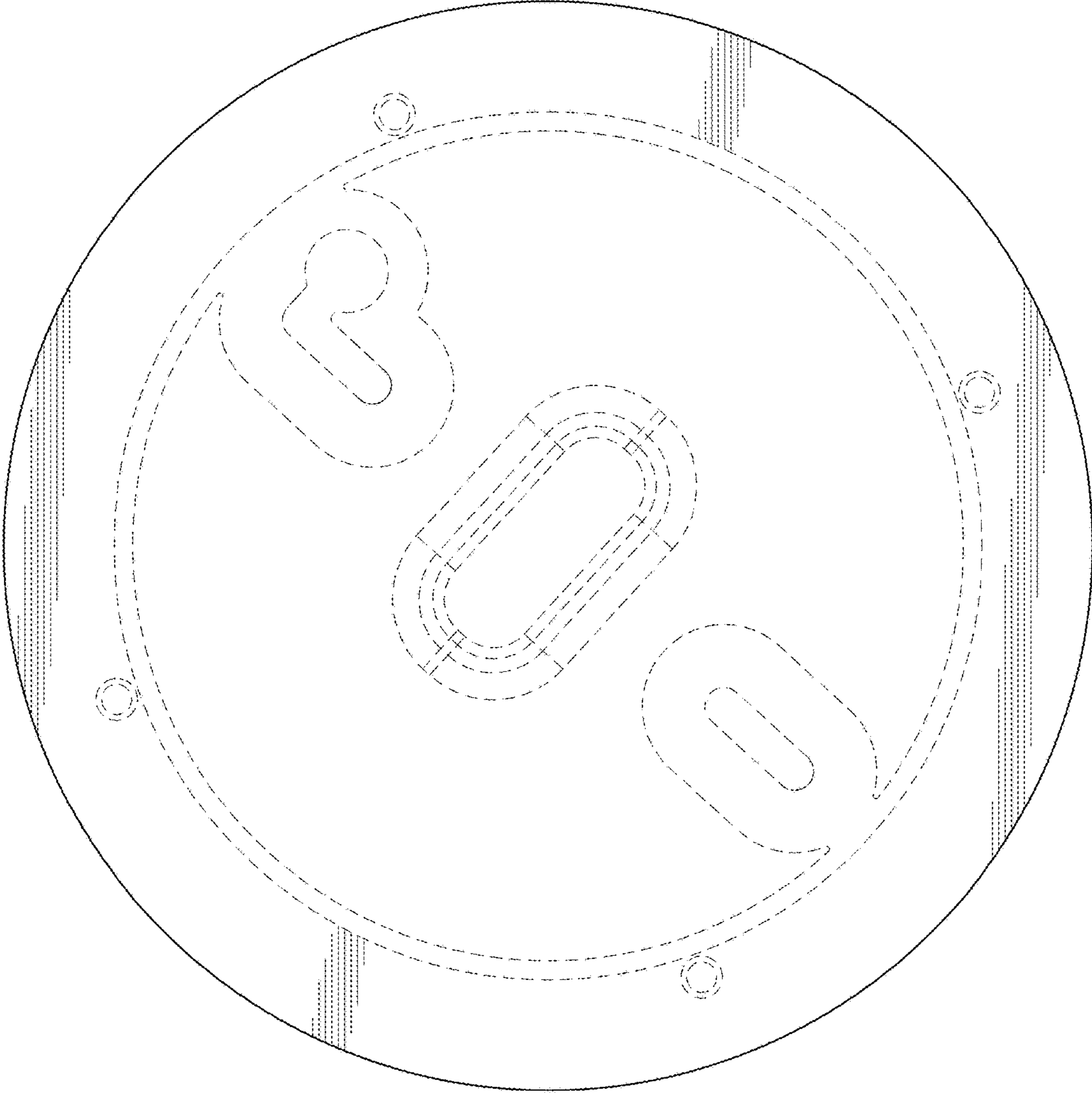


FIG. 7