



US00D805939S

(12) **United States Design Patent**
Park et al.

(10) **Patent No.:** **US D805,939 S**

(45) **Date of Patent:** **** Dec. 26, 2017**

(54) **BLUETOOTH (WIRELESS) NOTIFIER**

(71) Applicant: **LG ELECTRONICS INC.**, Seoul (KR)

(72) Inventors: **Seala Park**, Seoul (KR); **Dongsoon Kim**, Seoul (KR)

(73) Assignee: **LG ELECTRONICS INC.**, Seoul (KR)

(**) Term: **15 Years**

(21) Appl. No.: **29/546,316**

(22) Filed: **Nov. 20, 2015**

(30) **Foreign Application Priority Data**

May 20, 2015 (KR) 30-2015-0025675

(51) **LOC (10) Cl.** **01-05**

(52) **U.S. Cl.**
USPC **D10/104.1**

(58) **Field of Classification Search**
USPC D10/104.1, 106.2, 106.9; D14/300, 344,
D14/314, 341, 355; D12/114
CPC G01C 21/206
See application file for complete search history.

(56) **References Cited**

U.S. PATENT DOCUMENTS

7,924,149 B2 * 4/2011 Mendelson G01C 21/206
340/539.11
D732,530 S * 6/2015 Hermansson D14/358

D749,442 S * 2/2016 Jung D10/106.9
D755,786 S * 5/2016 Lapetina D14/344
D773,948 S * 12/2016 Schneid D10/106.2
D776,108 S * 1/2017 Hsu D14/341
D783,614 S * 4/2017 Hao D12/114
D795,250 S * 8/2017 Han D14/344
D797,099 S * 9/2017 Wieser D14/300
D799,479 S * 10/2017 Wieser D14/300

* cited by examiner

Primary Examiner — George D. Kirschbaum

(74) *Attorney, Agent, or Firm* — Birch, Stewart, Kolasch & Birch, LLP

(57) **CLAIM**

The ornamental design for a bluetooth (wireless) notifier, as shown and described.

DESCRIPTION

FIG. 1 is a front, right side, perspective view of a bluetooth (wireless) notifier showing our new design;

FIG. 2 is a front view thereof;

FIG. 3 is a rear view thereof;

FIG. 4 is a left side view thereof;

FIG. 5 is a right side view thereof;

FIG. 6 is a top view thereof;

FIG. 7 is a bottom view thereof;

FIG. 8 is a front, right side, perspective view thereof mounted on the strap for watch; and,

FIG. 9 is a front, right side, perspective view thereof mounted on the band for accessories.

The broken lines indicate unclaimed portion of the article that form no part of the claimed design.

1 Claim, 4 Drawing Sheets

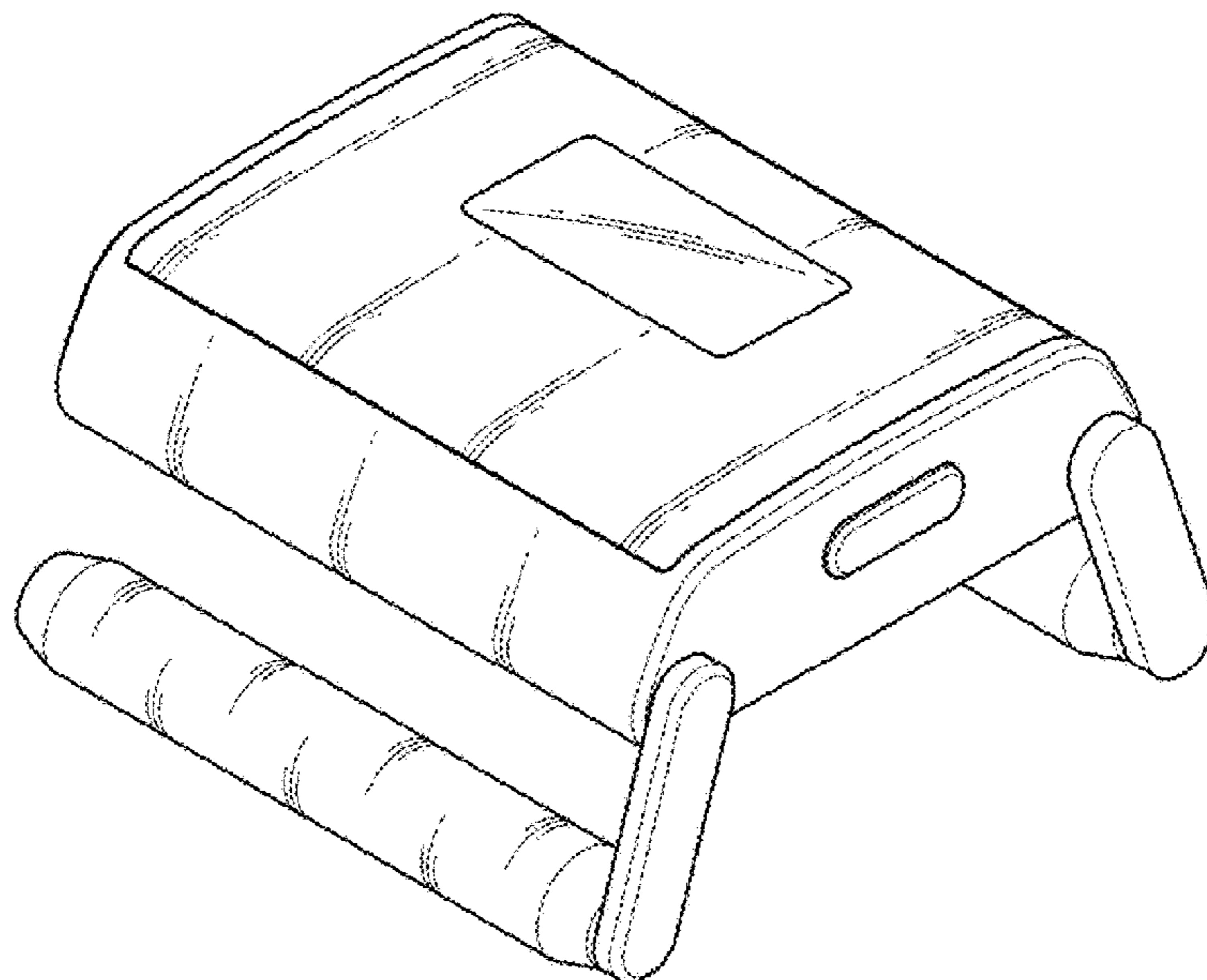


FIG. 1

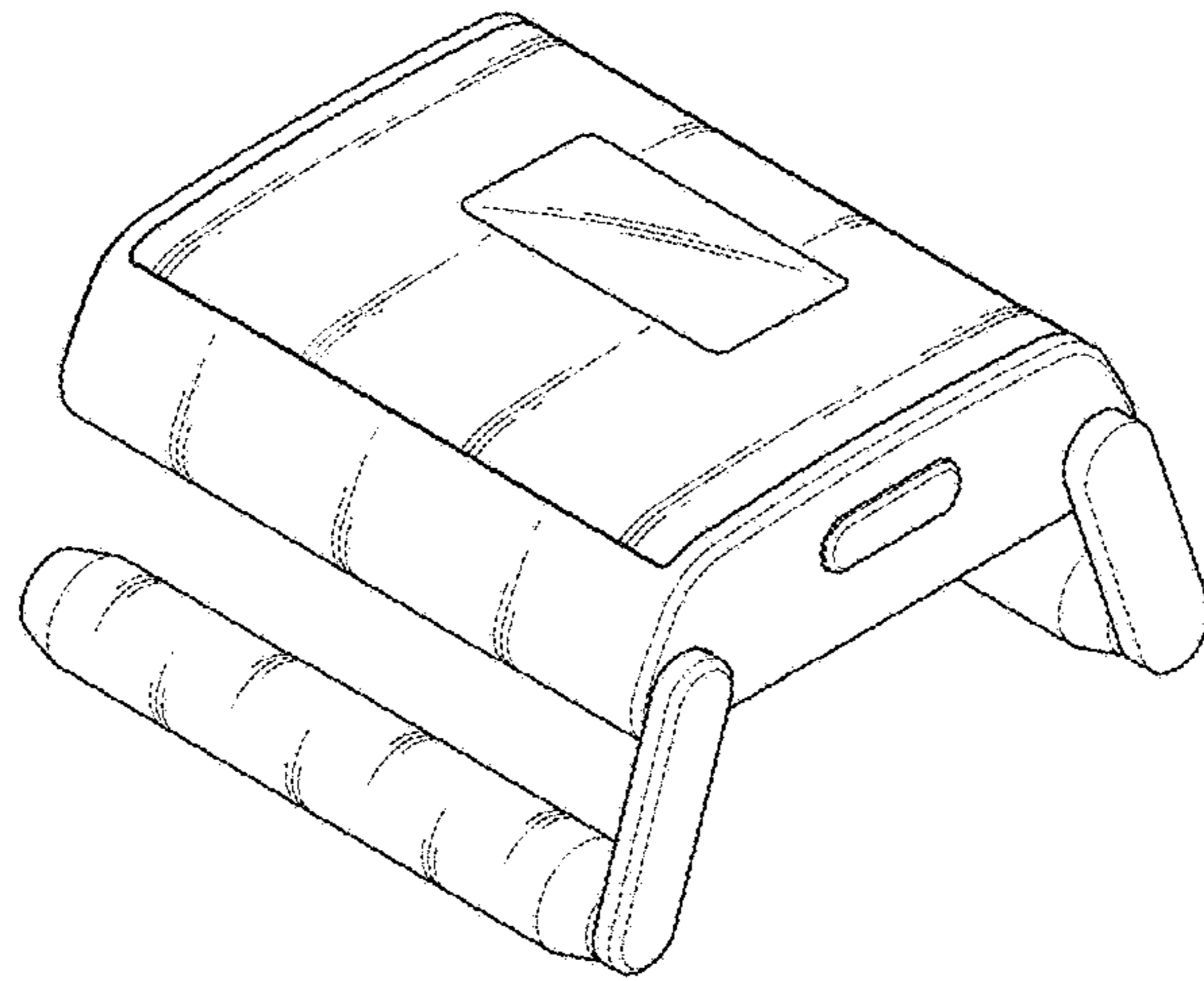


FIG. 2

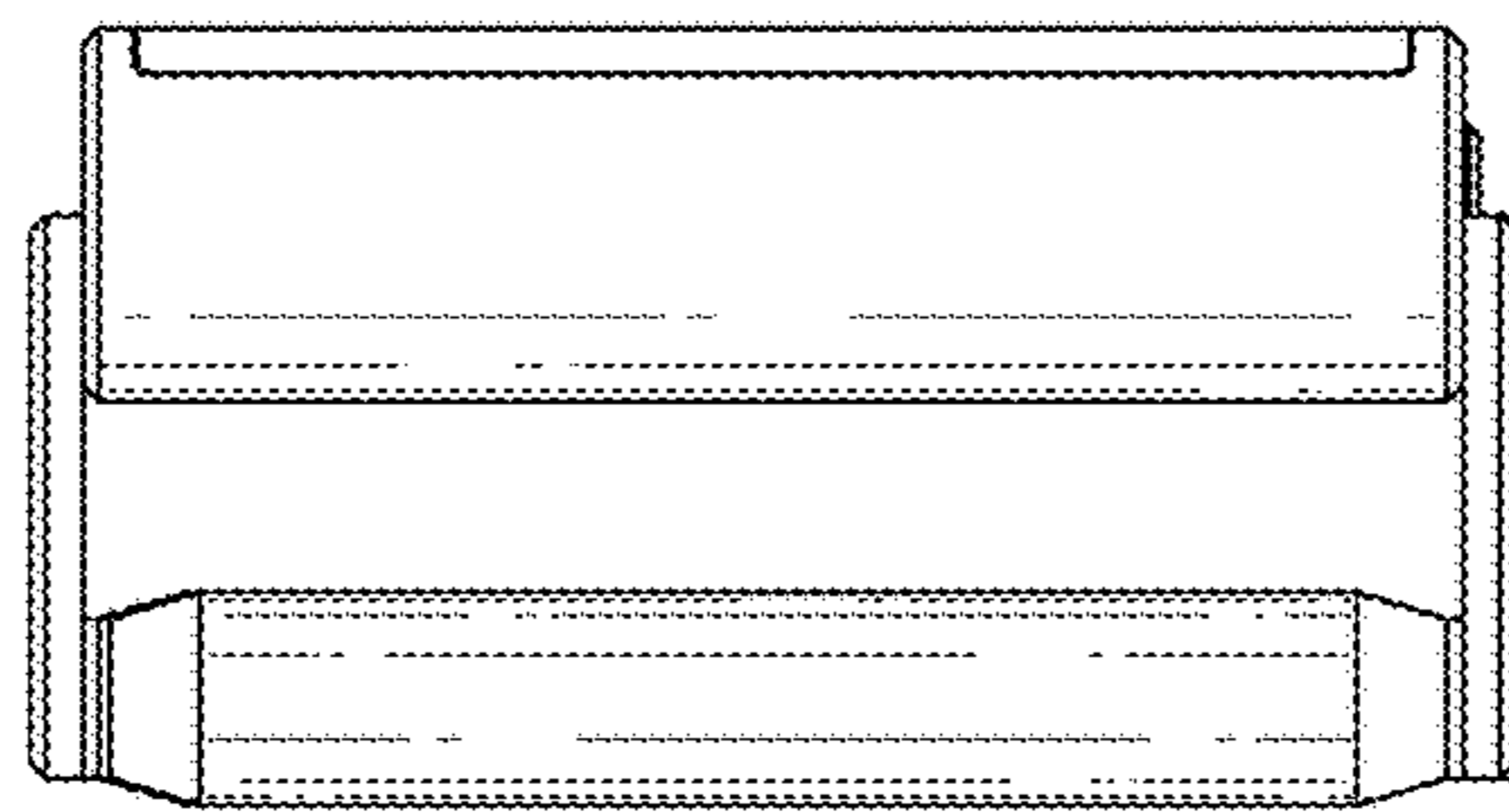


FIG. 3

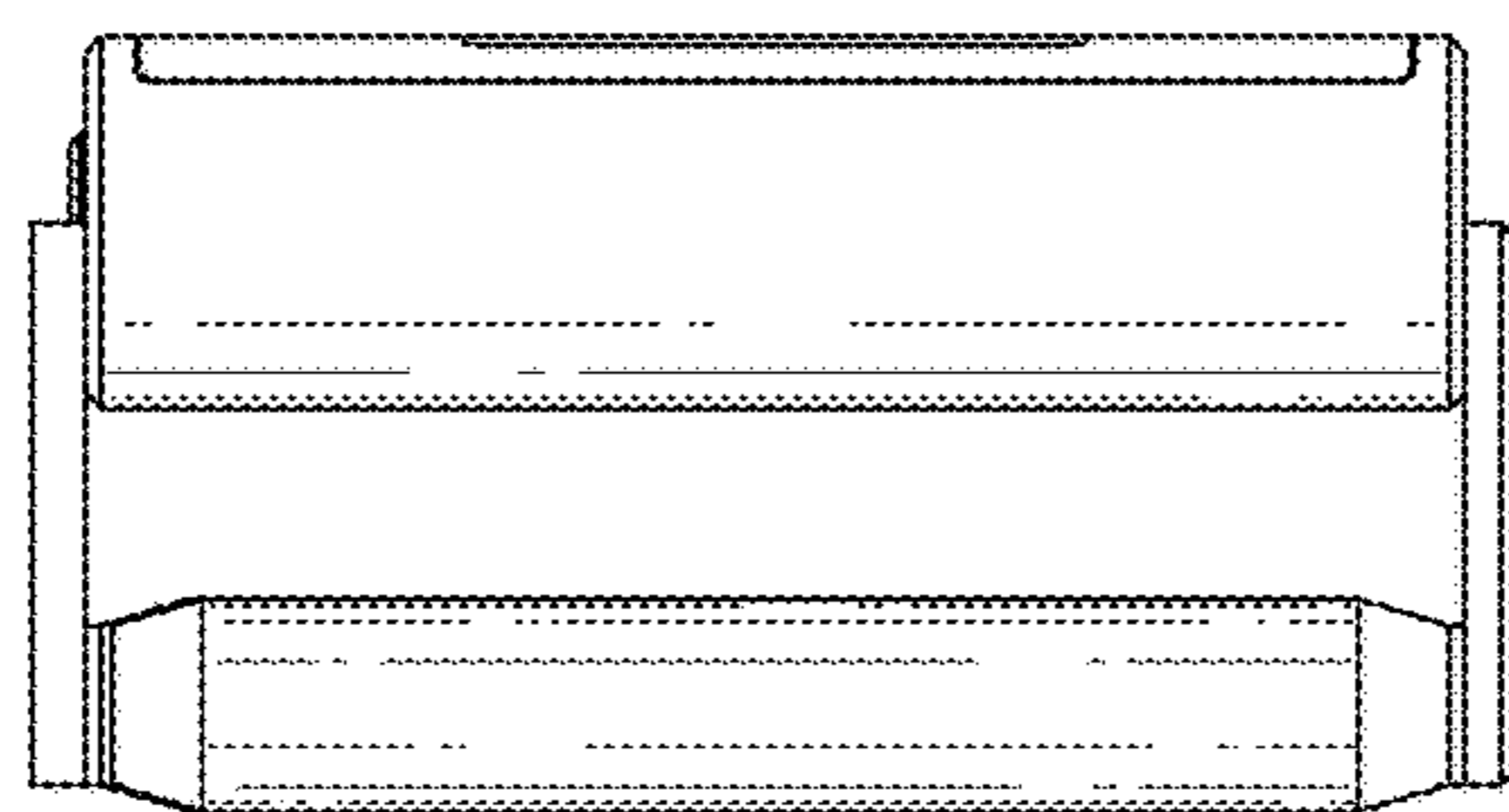


FIG. 4

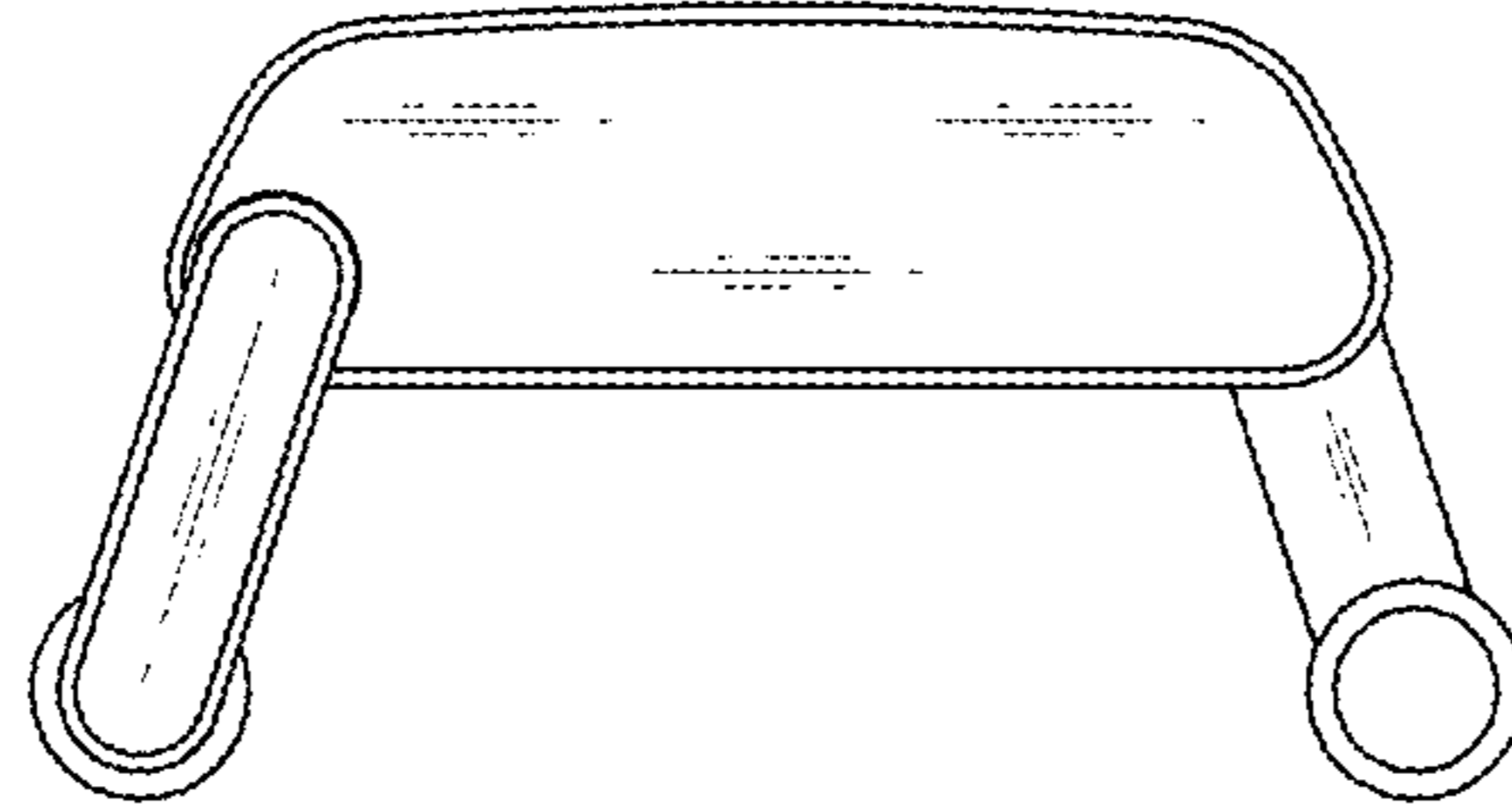


FIG. 5

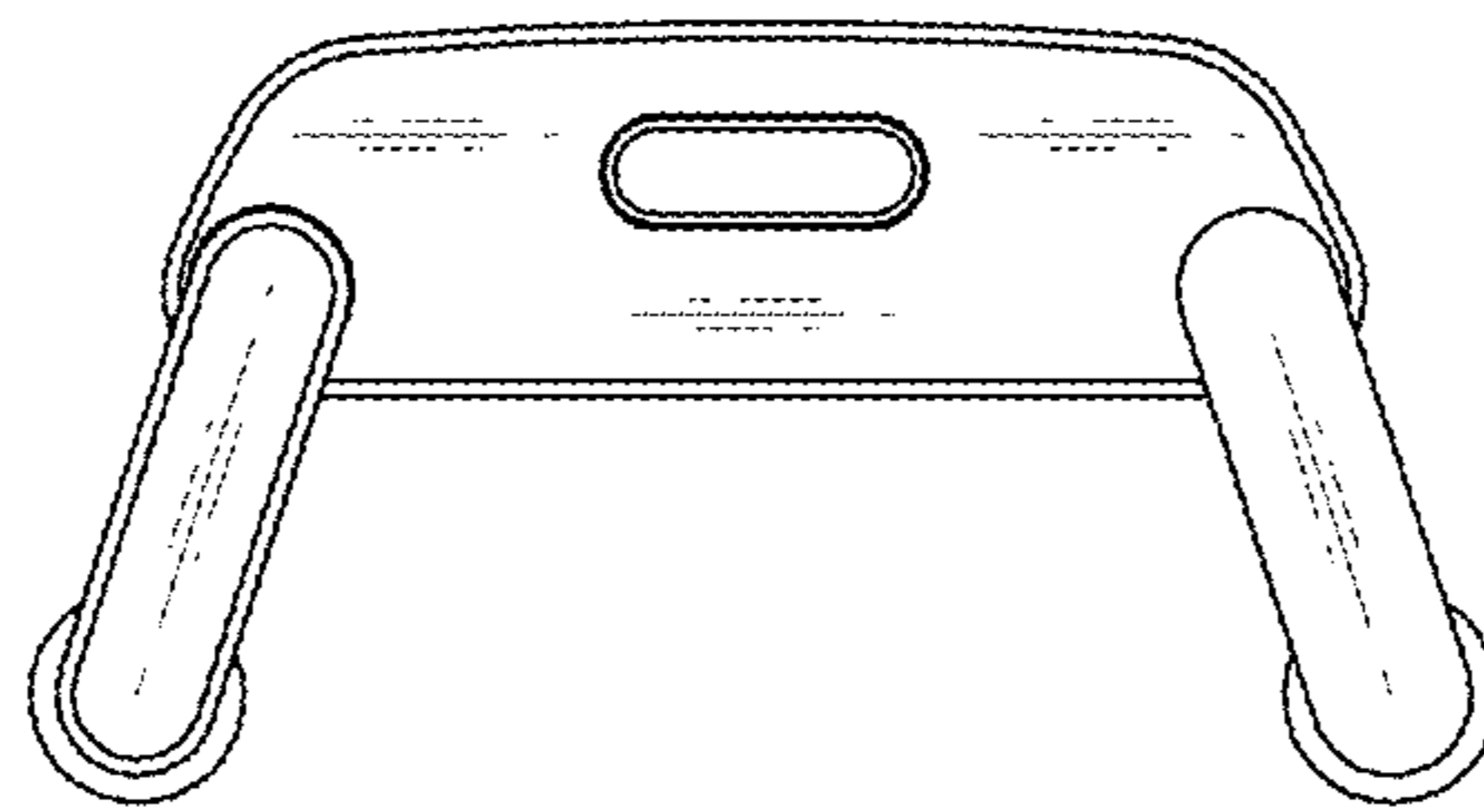


FIG. 6

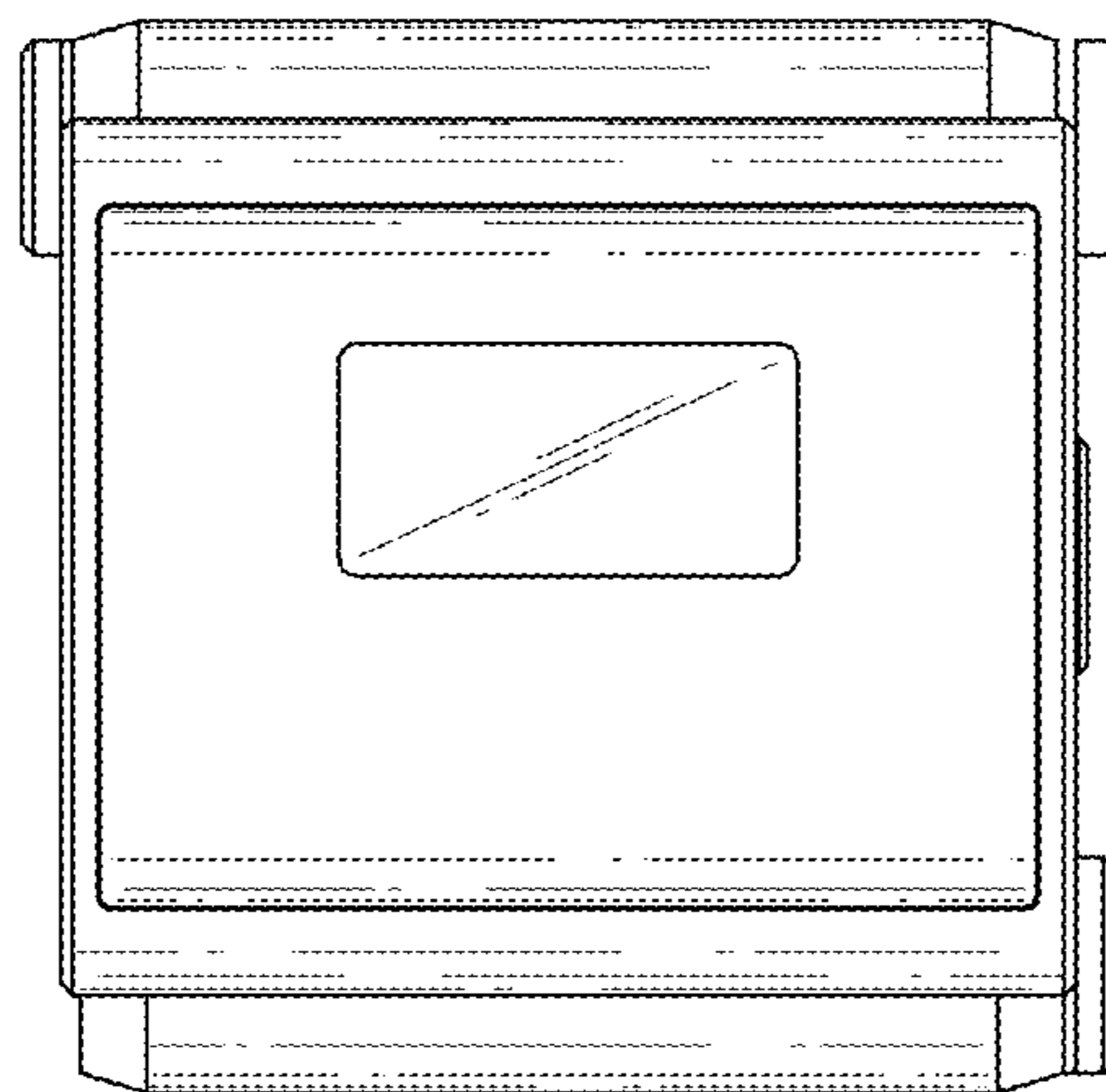


FIG. 7

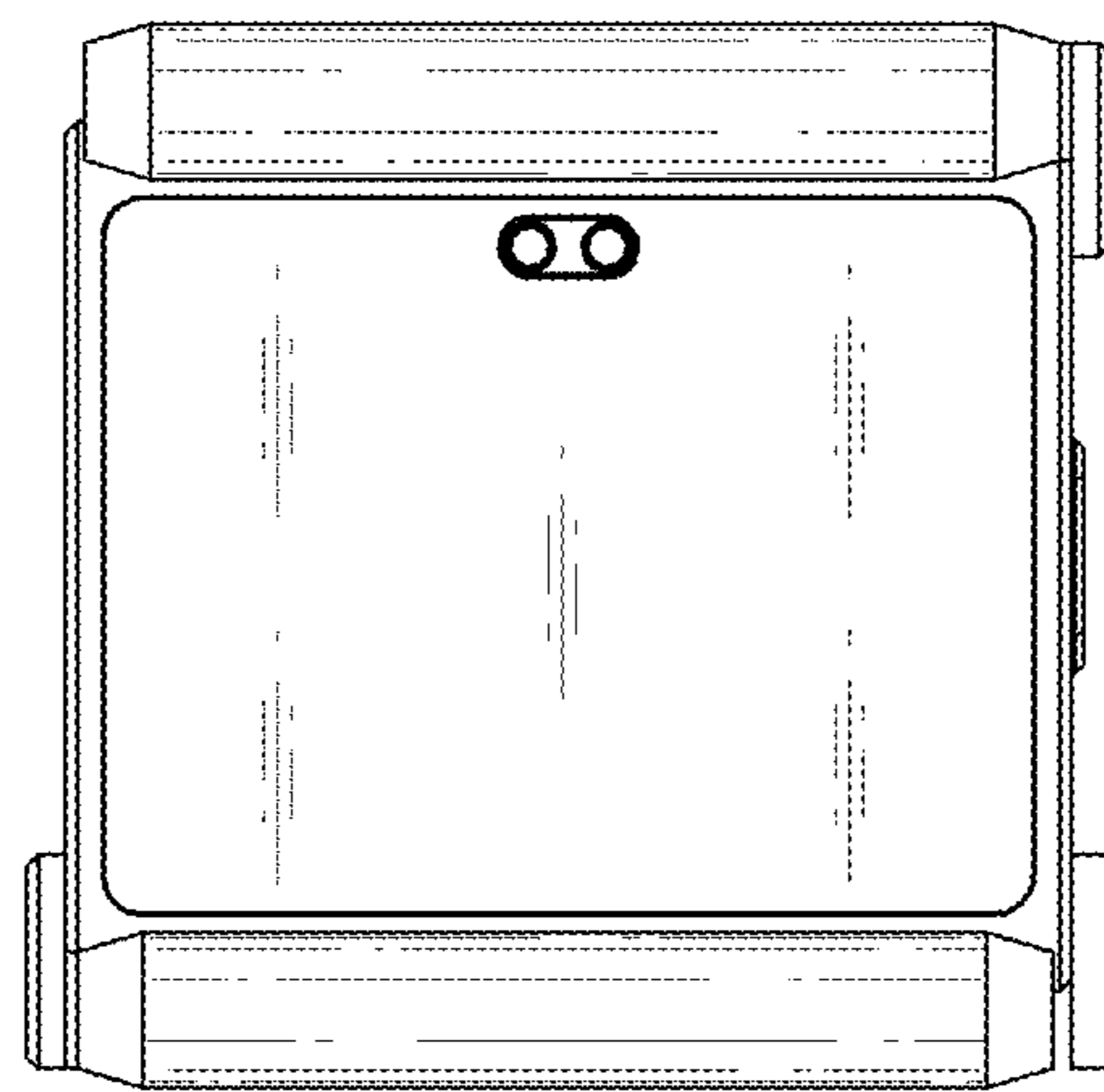


FIG. 8

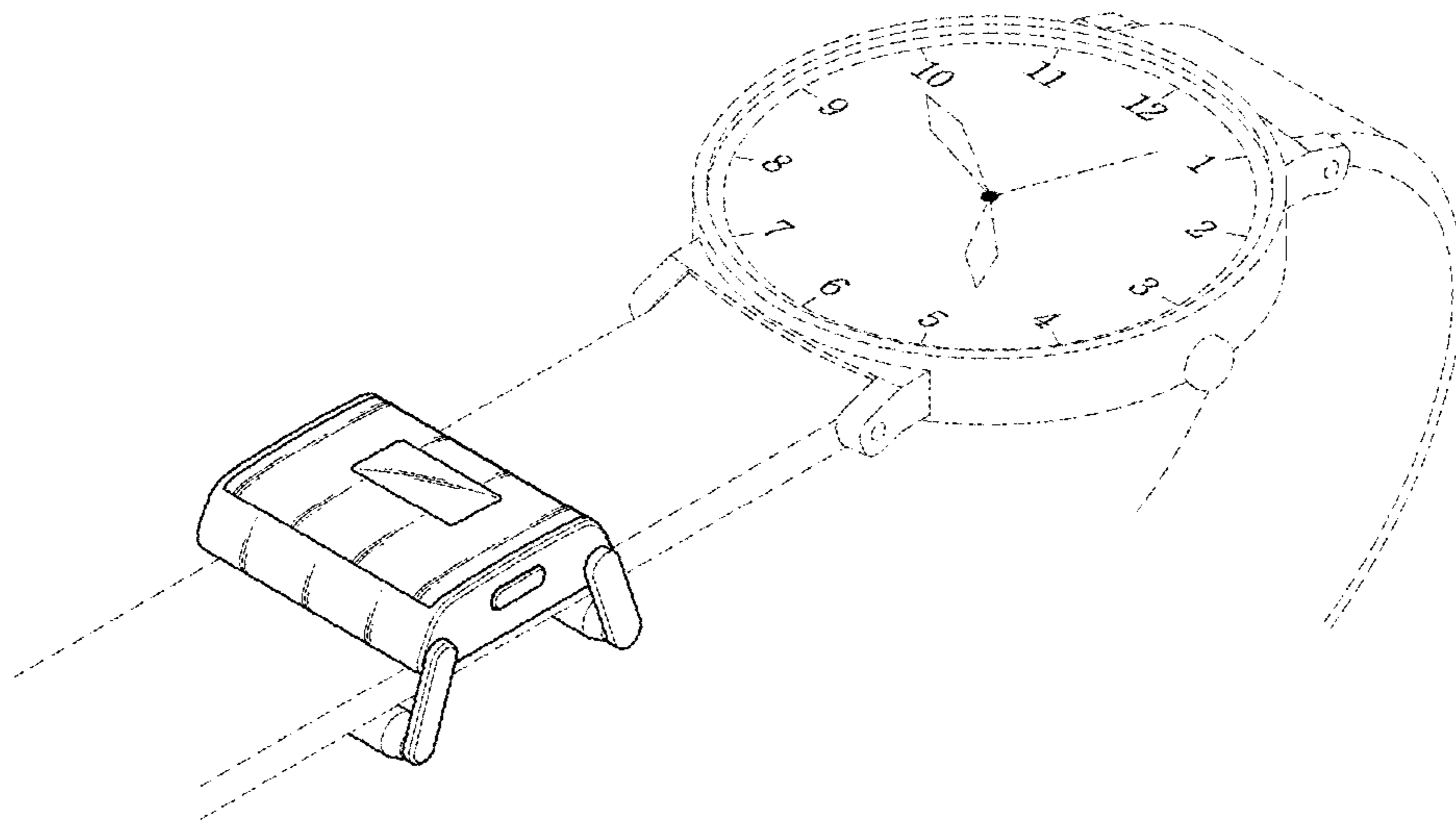


FIG. 9

