



US00D805938S

(12) **United States Design Patent** (10) **Patent No.:** **US D805,938 S**  
**Park et al.** (45) **Date of Patent:** **\*\* Dec. 26, 2017**

(54) **BLUETOOTH (WIRELESS) NOTIFIER**

(71) Applicant: **LG ELECTRONICS INC.**, Seoul (KR)

(72) Inventors: **Seala Park**, Seoul (KR); **Dongsoon Kim**, Seoul (KR)

(73) Assignee: **LG ELECTRONICS INC.**, Seoul (KR)

(\*\*) Term: **15 Years**

(21) Appl. No.: **29/546,308**

(22) Filed: **Nov. 20, 2015**

(30) **Foreign Application Priority Data**

May 20, 2015 (KR) ..... 30-2015-0025676

(51) **LOC (10) Cl.** ..... **01-05**

(52) **U.S. Cl.**  
USPC ..... **D10/104.1**

(58) **Field of Classification Search**  
USPC ..... D10/104.1, 106.2, 106.9; D14/300, 344,  
D14/314, 341, 355; D12/114  
CPC ..... G01C 21/206  
See application file for complete search history.

(56) **References Cited**

**U.S. PATENT DOCUMENTS**

7,924,149 B2 \* 4/2011 Mendelson ..... G01C 21/206  
340/539.11  
D732,530 S \* 6/2015 Hermansson ..... D14/358

D749,442 S \* 2/2016 Jung ..... D10/106.9  
D755,786 S \* 5/2016 Lapetina ..... D14/344  
D773,948 S \* 12/2016 Schneid ..... D10/106.2  
D776,108 S \* 1/2017 Hsu ..... D14/341  
D783,614 S \* 4/2017 Hao ..... D12/114  
D795,250 S \* 8/2017 Han ..... D14/344  
D797,099 S \* 9/2017 Wieser ..... D14/300  
D799,479 S \* 10/2017 Wieser ..... D14/300

\* cited by examiner

*Primary Examiner* — George D. Kirschbaum

(74) *Attorney, Agent, or Firm* — Birch, Stewart, Kolasch & Birch, LLP

(57) **CLAIM**

The ornamental design for a bluetooth (wireless) notifier, as shown and described.

**DESCRIPTION**

FIG. 1 is a front, right side, perspective view of a bluetooth (wireless) notifier showing our new design;  
FIG. 2 is a front view thereof;  
FIG. 3 is a rear view thereof;  
FIG. 4 is a left side view thereof;  
FIG. 5 is a right side view thereof;  
FIG. 6 is a top view thereof;  
FIG. 7 is a bottom view thereof;  
FIG. 8 is a front, right side, perspective view thereof mounted on the necklace-type accessories; and,  
FIG. 9 is a front, right side, perspective view thereof mounted on the watch-type accessories.  
The broken lines indicate unclaimed portion of the article that form no part of the claimed design.

**1 Claim, 4 Drawing Sheets**

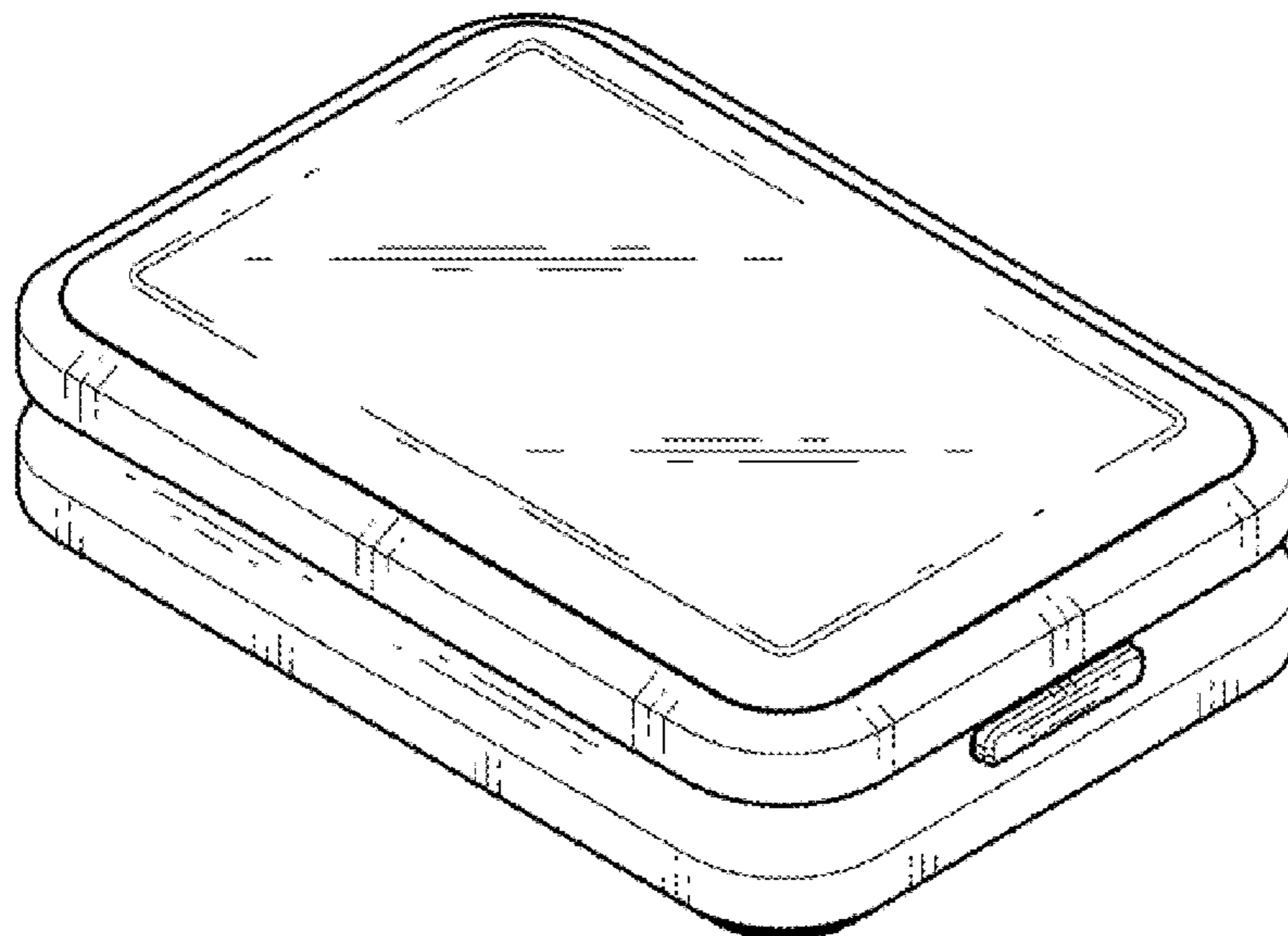


FIG. 1

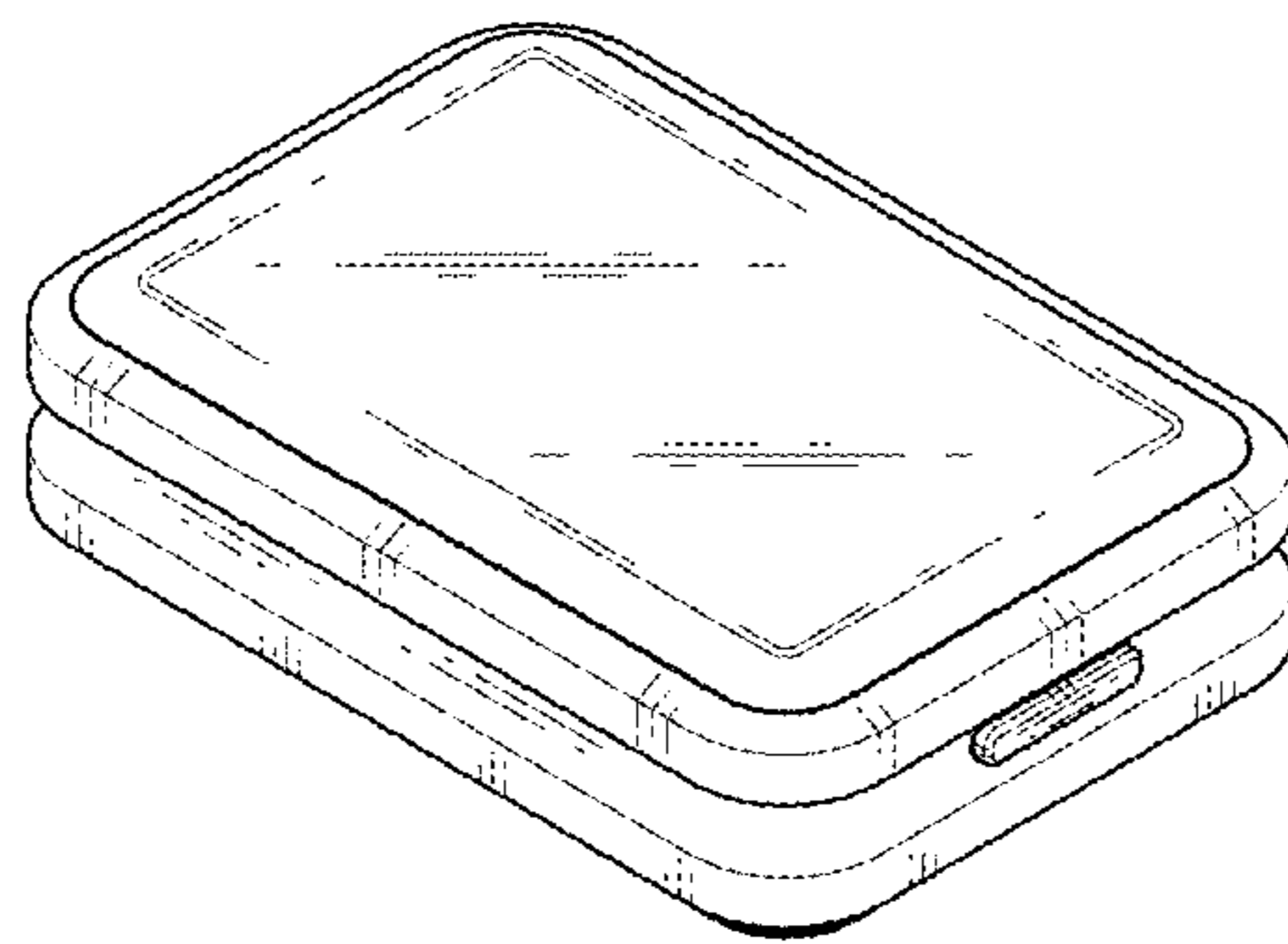


FIG. 2

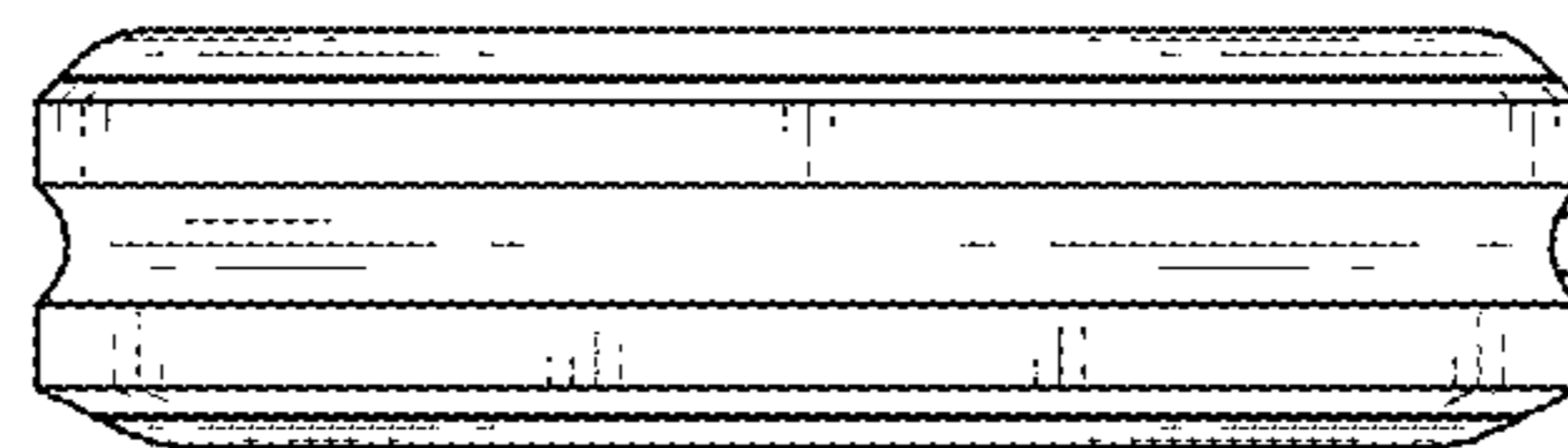


FIG. 3

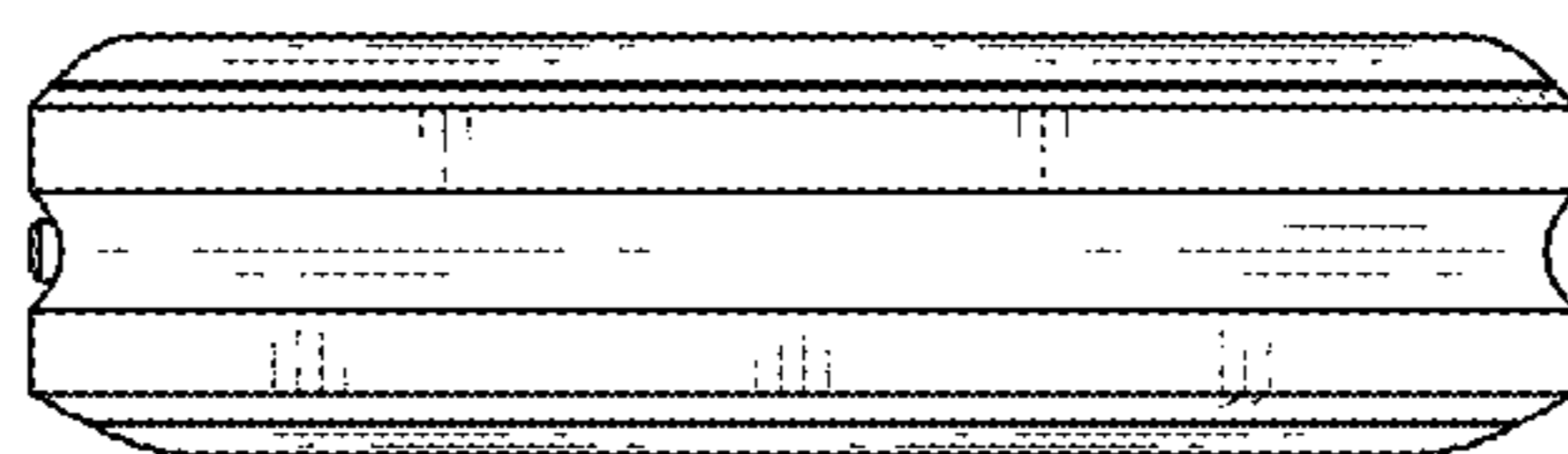


FIG. 4

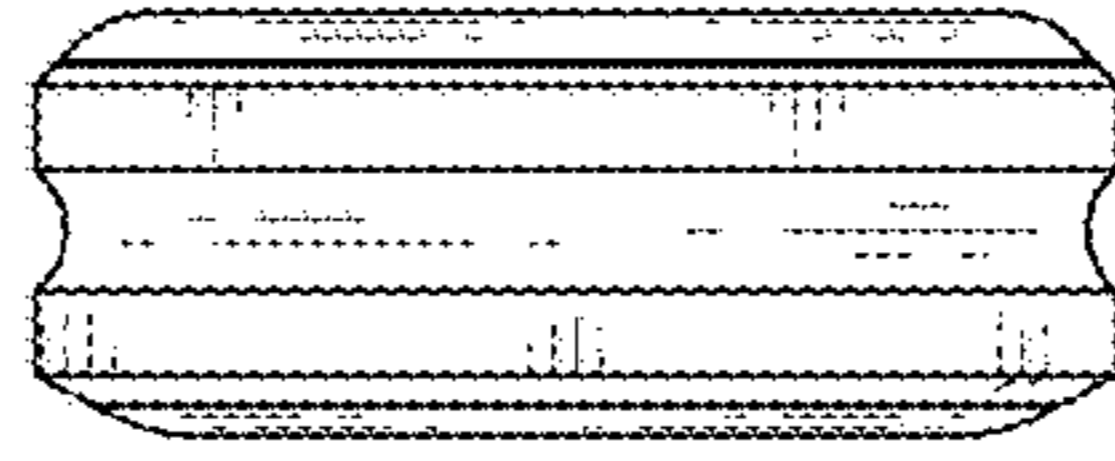


FIG. 5

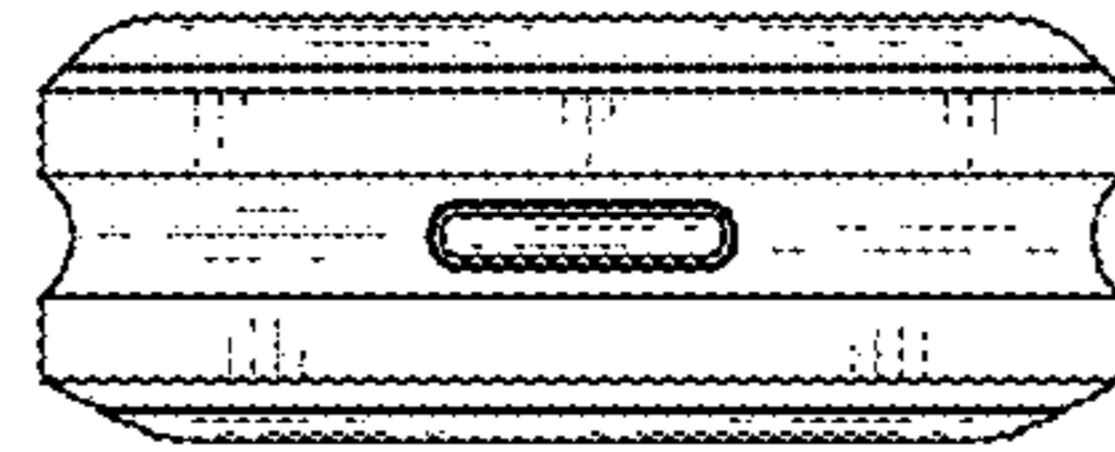


FIG. 6

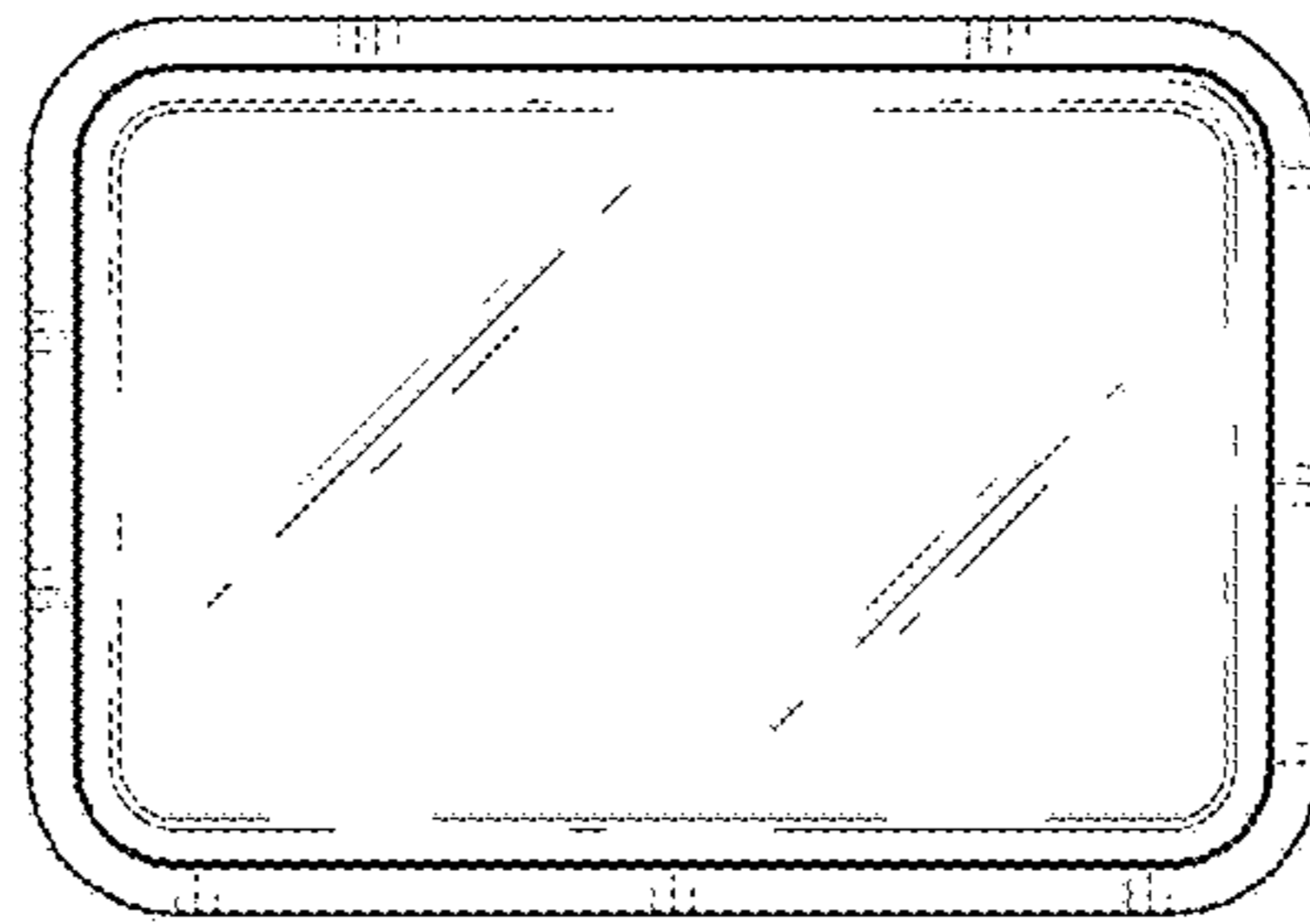


FIG. 7

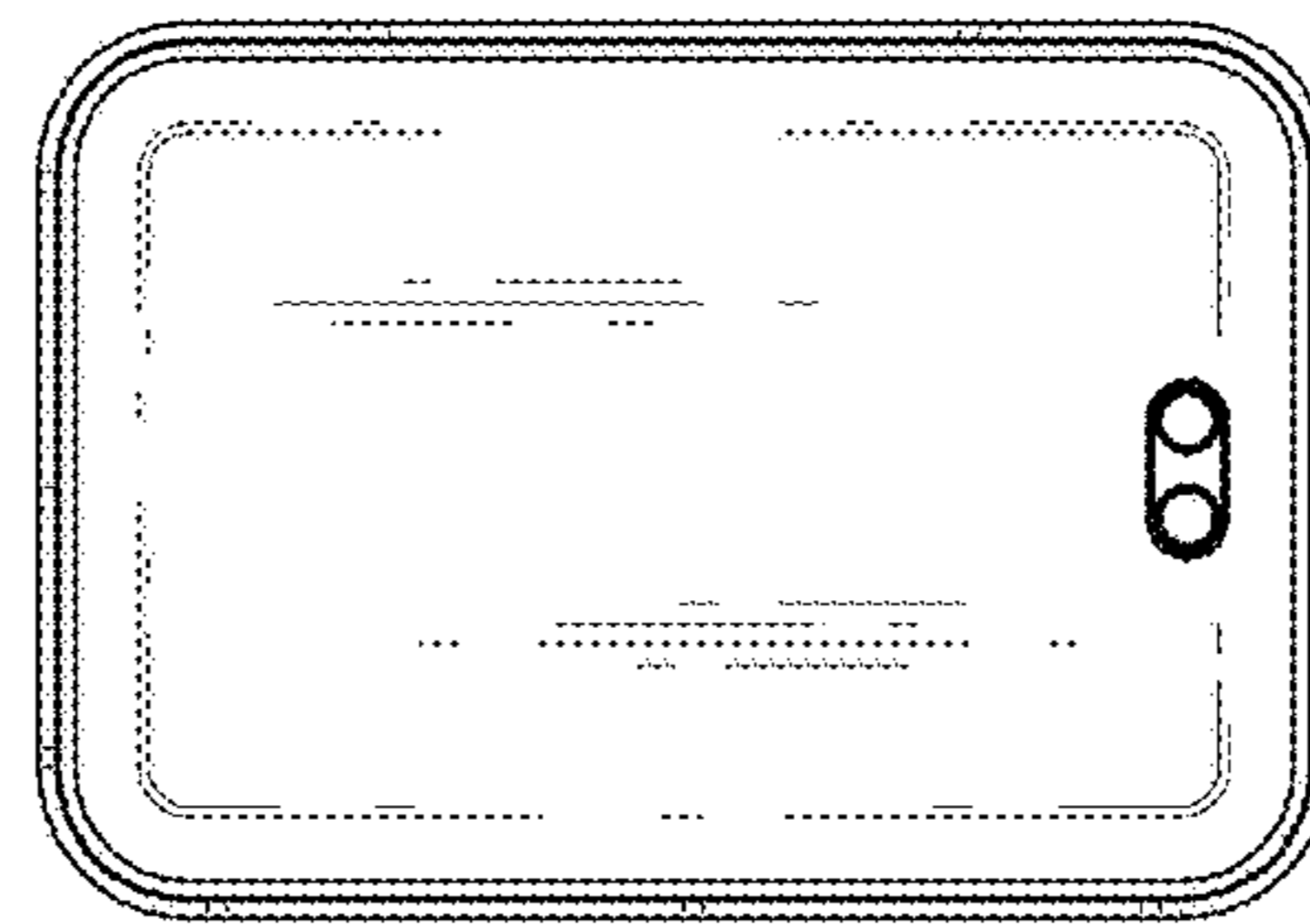


FIG. 8

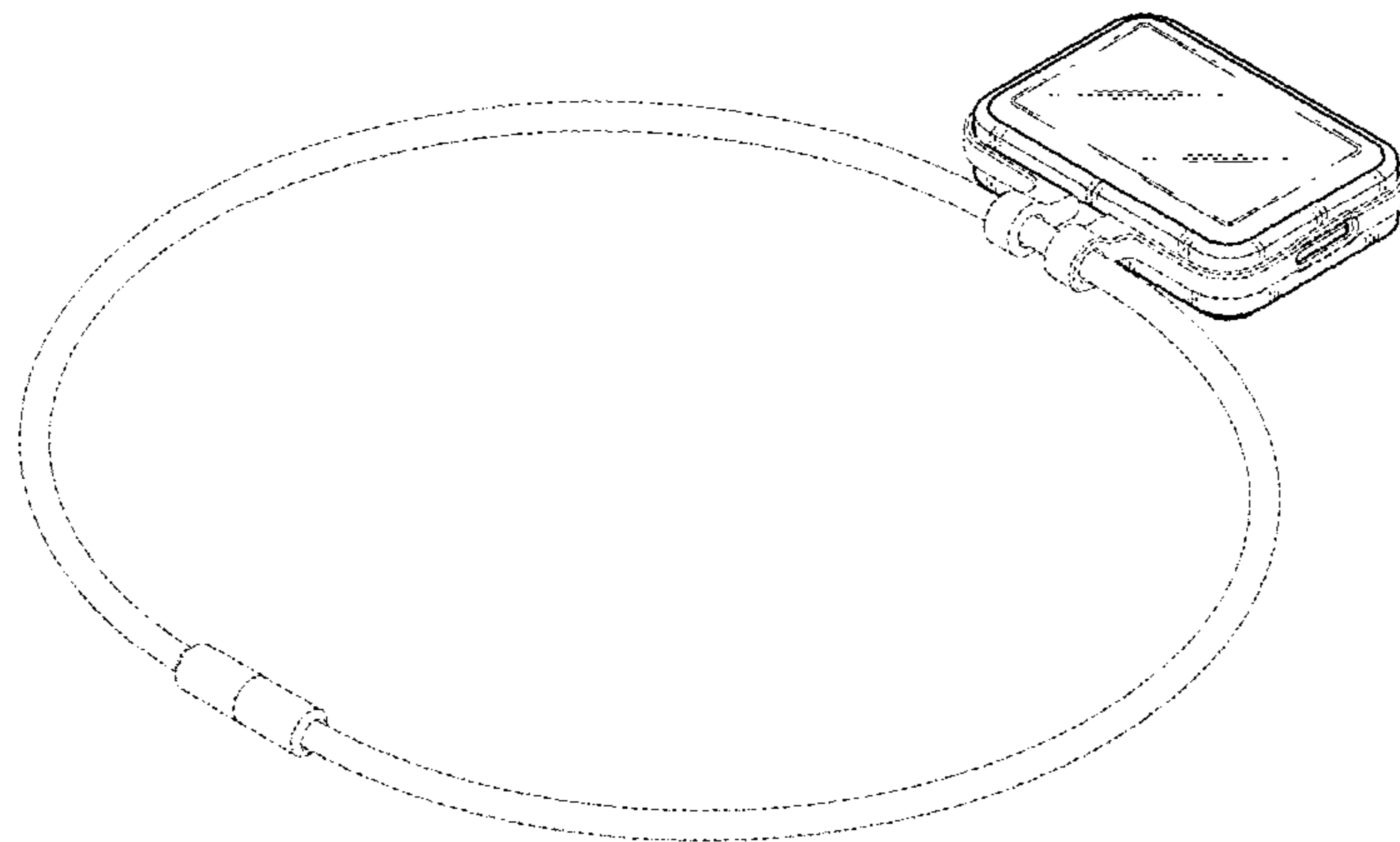


FIG. 9

