



US00D805934S

(12) **United States Design Patent**
Yokino et al.

(10) **Patent No.:** **US D805,934 S**

(45) **Date of Patent:** **** Dec. 26, 2017**

(54) **SPECTROMETER**

(71) Applicant: **HAMAMATSU PHOTONICS K.K.**,
Shizuoka (JP)

(72) Inventors: **Takafumi Yokino**, Hamamatsu (JP);
Katsumi Shibayama, Hamamatsu (JP);
Katsuhiko Kato, Hamamatsu (JP)

(**) Term: **15 Years**

(21) Appl. No.: **35/501,553**

(22) Filed: **Mar. 15, 2016**

(80) **Hague Agreement Data**

Int. Filing Date: **Mar. 15, 2016**

Int. Reg. No.: **DM/090238**

Int. Reg. Date: **Mar. 15, 2016**

Int. Reg. Pub. Date: **Sep. 16, 2016**

(51) **LOC (10) Cl.** **10-04**

(52) **U.S. Cl.**
USPC **D10/81**

(58) **Field of Classification Search**
USPC D10/81, 104.1
CPC G01B 1/00
See application file for complete search history.

(56) **References Cited**

U.S. PATENT DOCUMENTS

D557,156 S * 12/2007 Kon D10/81
D603,280 S * 11/2009 Shibayama D10/81

D603,729 S * 11/2009 Shibayama D10/81
D603,730 S * 11/2009 Shibayama D10/81
D603,731 S * 11/2009 Shibayama D10/81
D677,185 S * 3/2013 Zhou D10/78
D711,265 S * 8/2014 Antonczak D10/81
D748,510 S * 2/2016 Zhou D10/78

* cited by examiner

Primary Examiner — George D Kirschbaum

(57) **CLAIM**

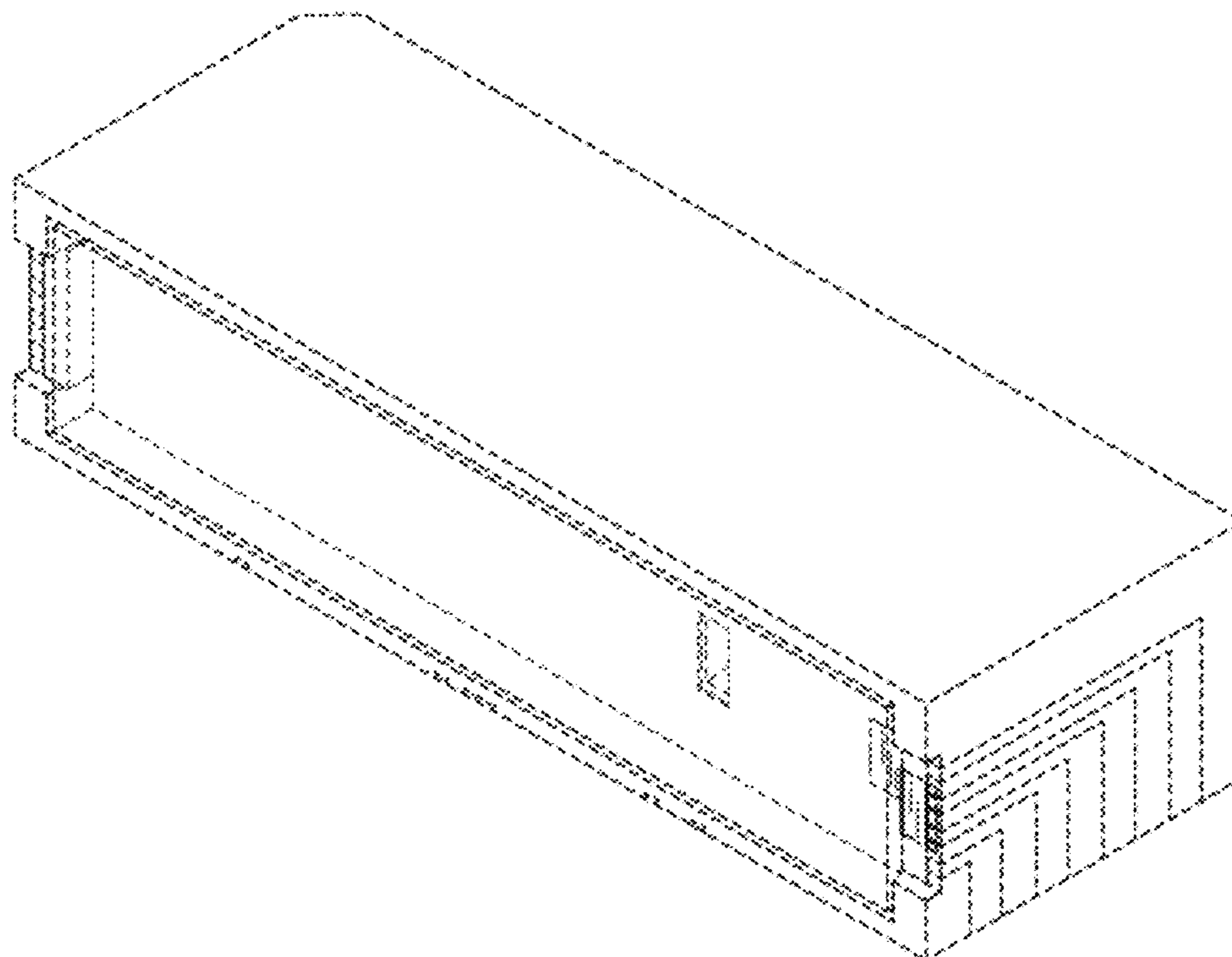
The ornamental design for a spectrometer, as shown and described.

DESCRIPTION

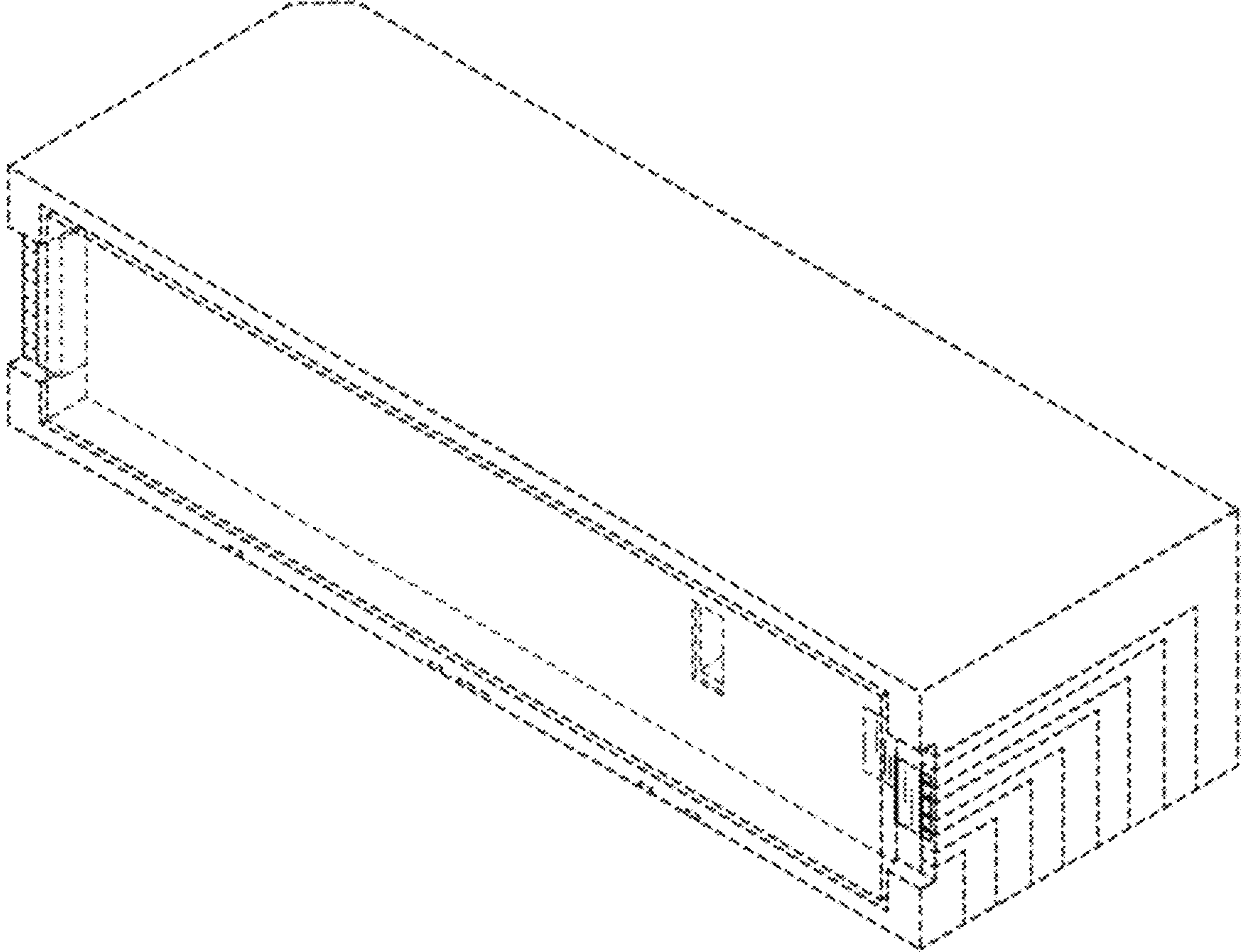
- 1. Spectrometer
- 1.1 : Perspective
- 1.2 : Front
- 1.3 : Back
- 1.4 : Top
- 1.5 : Bottom
- 1.6 : Left
- 1.7 : Right
- 1.8 : Horizontal sectional view

The evenly spaced broken lines depict unclaimed environmental subject matter that form no part of the claimed design. The alternating long and short dashed lines indicate the boundary of the claimed design.

1 Claim, 8 Drawing Sheets



1.1



1.2



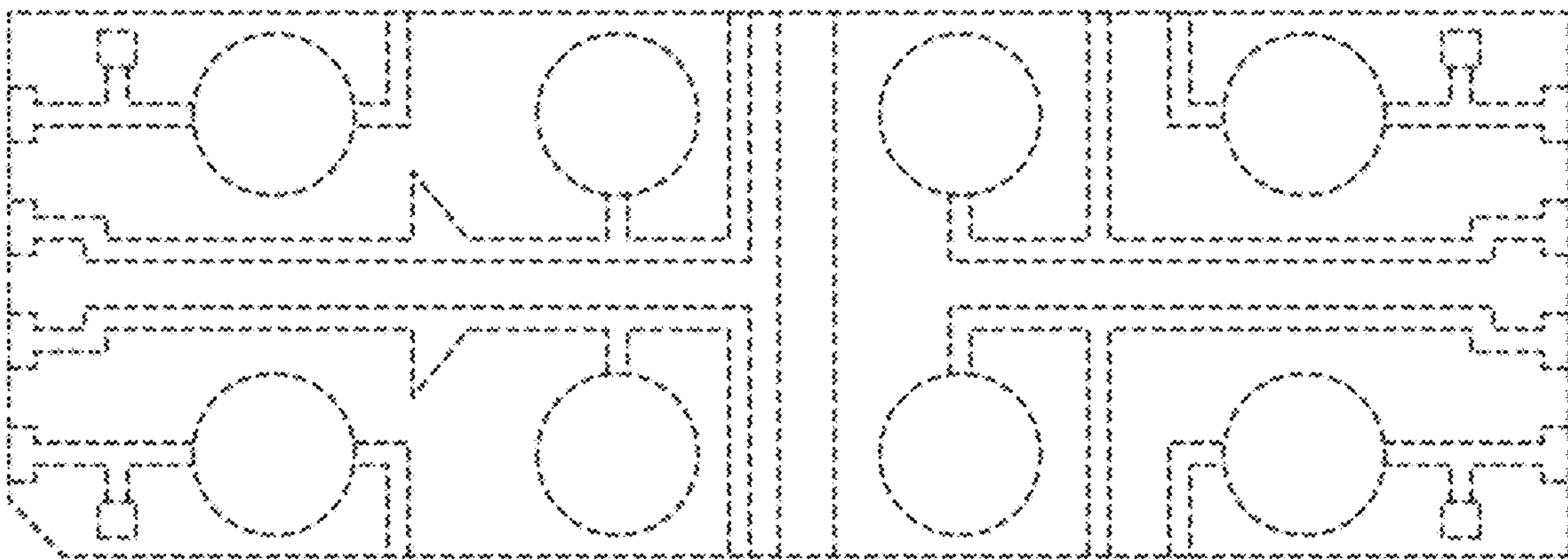
1.3



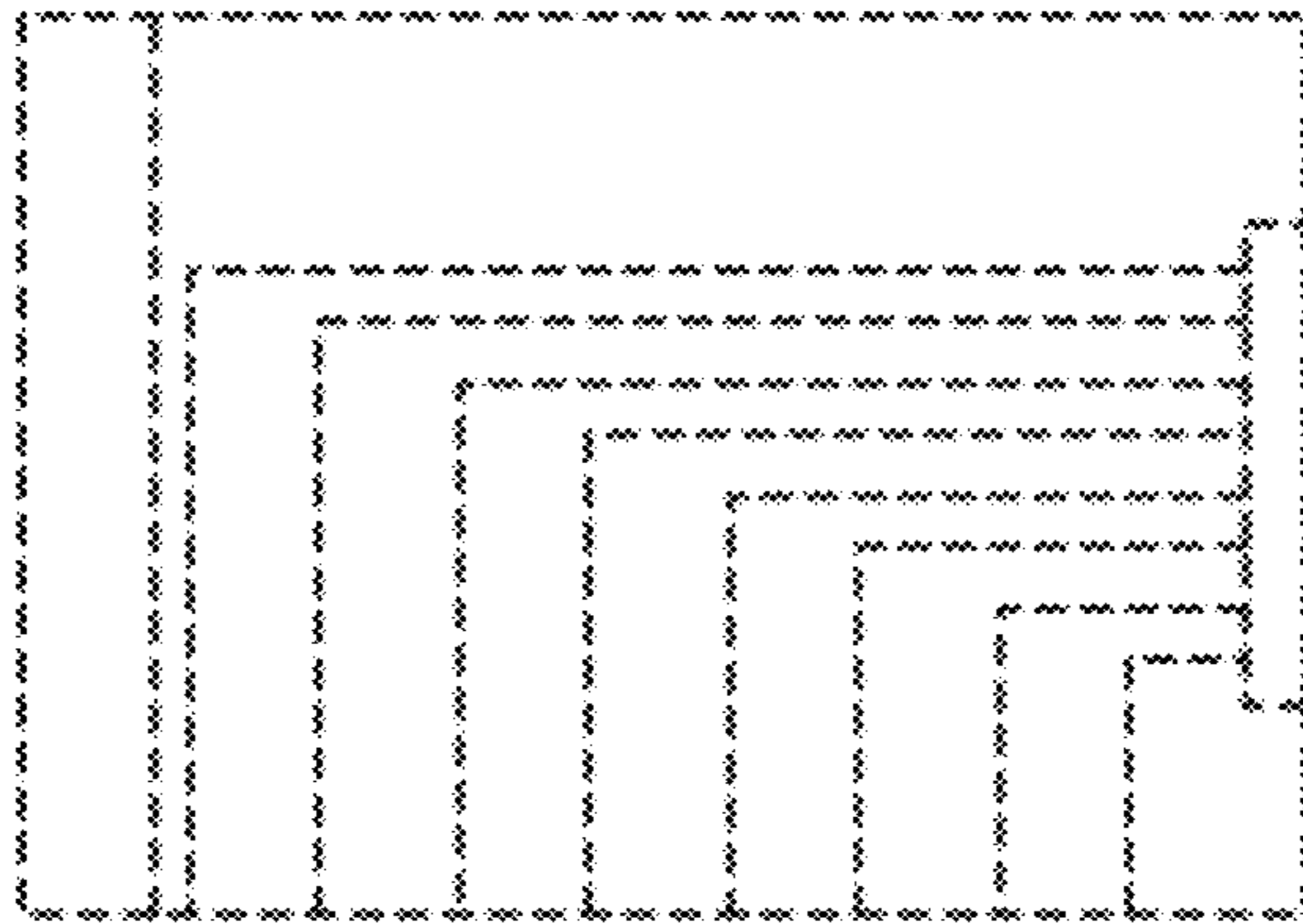
1.4



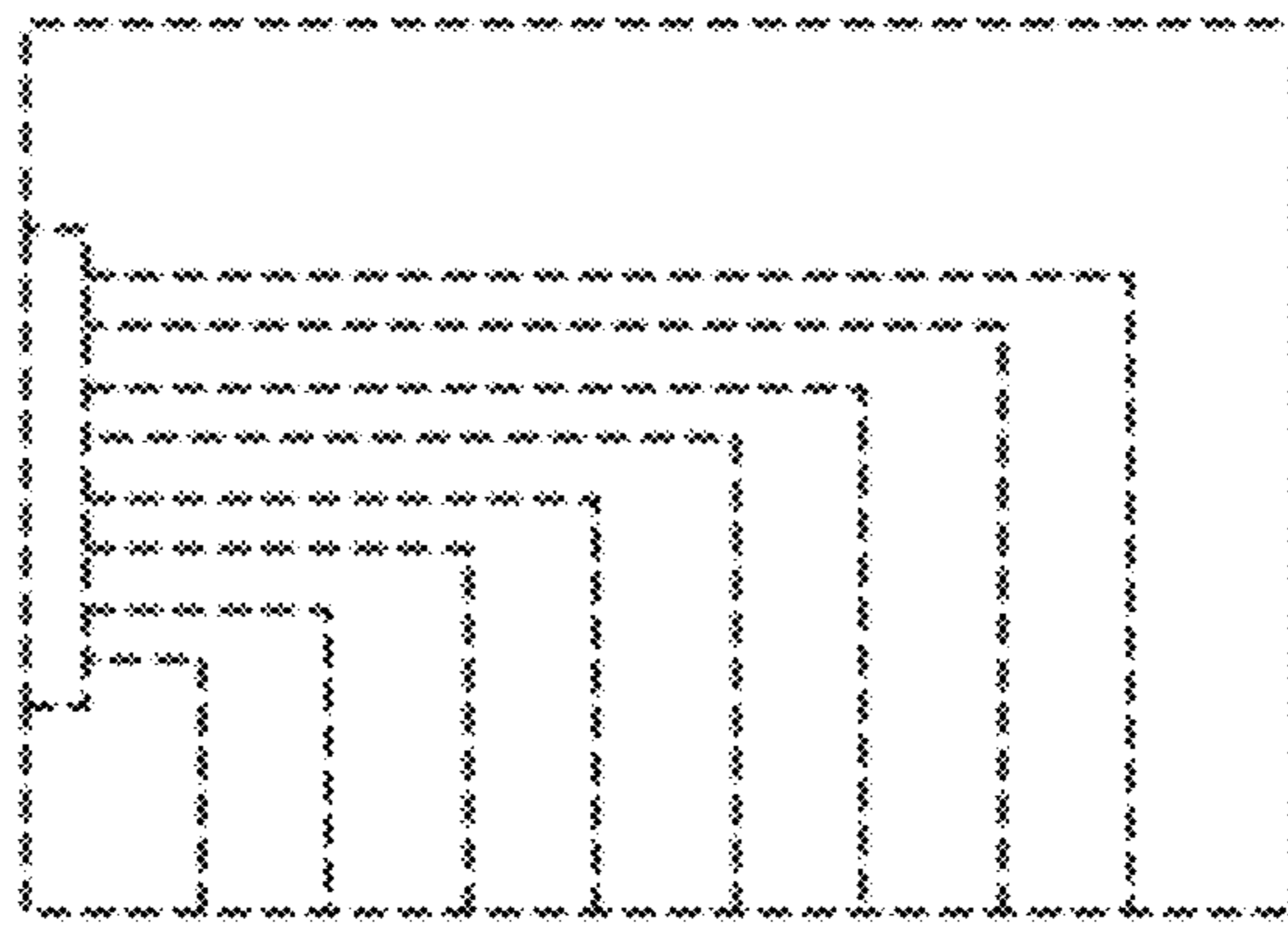
1.5



1.6



1.7



1.8

