



US00D805931S

(12) **United States Design Patent** (10) **Patent No.:** **US D805,931 S**  
**Laperle** (45) **Date of Patent:** **\*\* Dec. 26, 2017**

(54) **MEASURING CALIPER**  
 (71) Applicant: **Chauvin Arnoux**, Paris (FR)  
 (72) Inventor: **Benjamin Laperle**, Annecy le Vieux (FR)  
 (73) Assignee: **Chauvin Arnoux**, Paris (FR)  
 (\*\*) Term: **15 Years**  
 (21) Appl. No.: **29/580,874**  
 (22) Filed: **Oct. 13, 2016**  
 (30) **Foreign Application Priority Data**  
 Sep. 2, 2016 (EP) ..... 003362581-0001  
 (51) **LOC (10) Cl.** ..... **10-04**  
 (52) **U.S. Cl.**  
 USPC ..... **D10/73**  
 (58) **Field of Classification Search**  
 USPC ..... D10/73  
 CPC . G01B 3/20; G01B 3/205; G01B 5/24; G01B 3/18; G01B 3/008  
 See application file for complete search history.

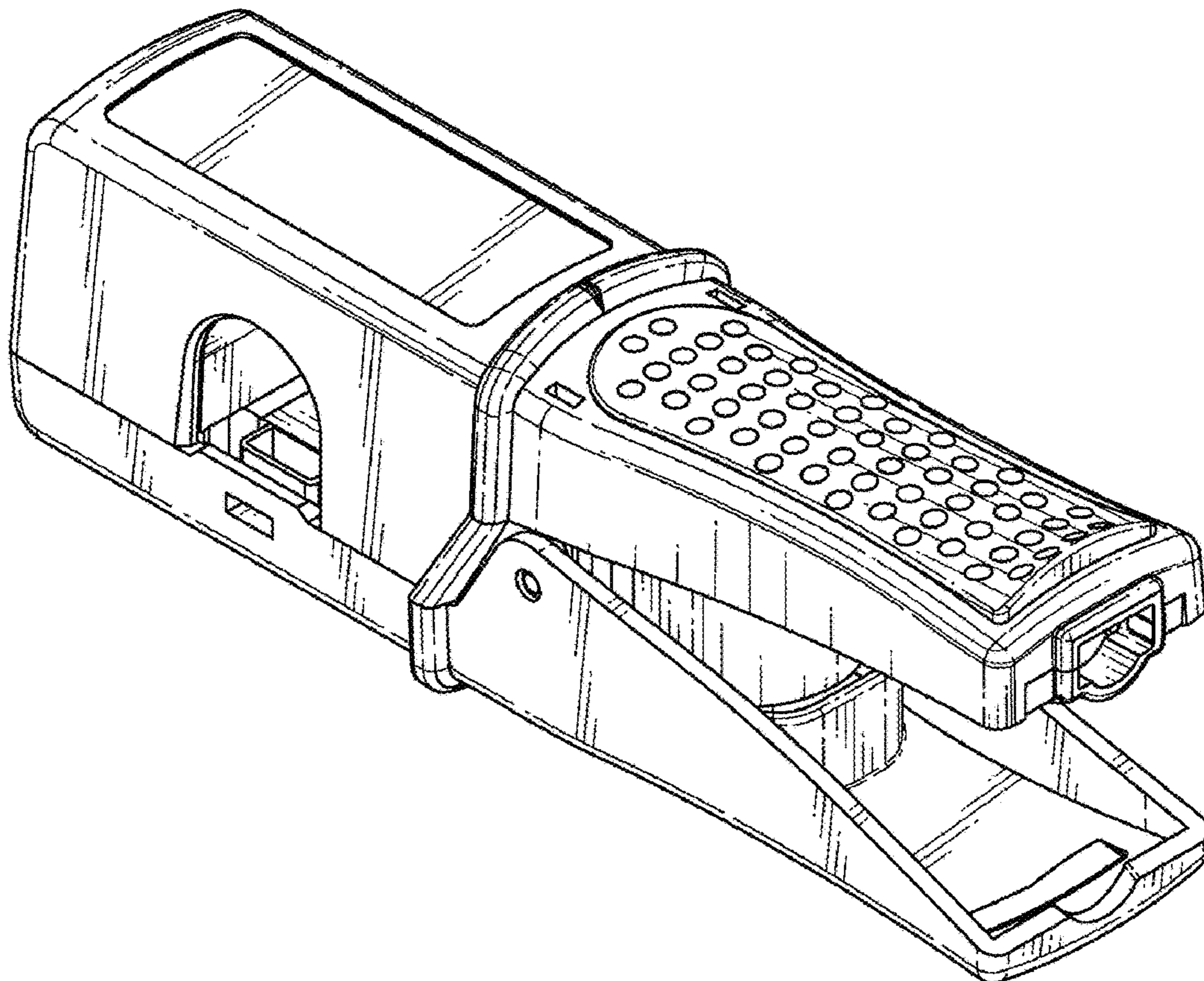
(56) **References Cited**  
 U.S. PATENT DOCUMENTS  
 D614,054 S \* 4/2010 Fujikawa ..... D10/73  
 8,731,941 B2 \* 5/2014 Newman ..... G01B 3/1061  
 177/25.12

\* cited by examiner  
*Primary Examiner* — Antoine Duval Davis  
 (74) *Attorney, Agent, or Firm* — Baker & Hostetler LLP

(57) **CLAIM**  
 I claim the ornamental design for measuring caliper, as shown and described herein.

**DESCRIPTION**  
 FIG. 1 is a perspective view of the measuring caliper showing my new design;  
 FIG. 2 is a front view thereof;  
 FIG. 3 is a back view thereof;  
 FIG. 4 is a left side elevation view thereof;  
 FIG. 5 is a right side elevation view thereof;  
 FIG. 6 is a top plan view thereof; and,  
 FIG. 7 is a bottom plan view thereof.

**1 Claim, 4 Drawing Sheets**



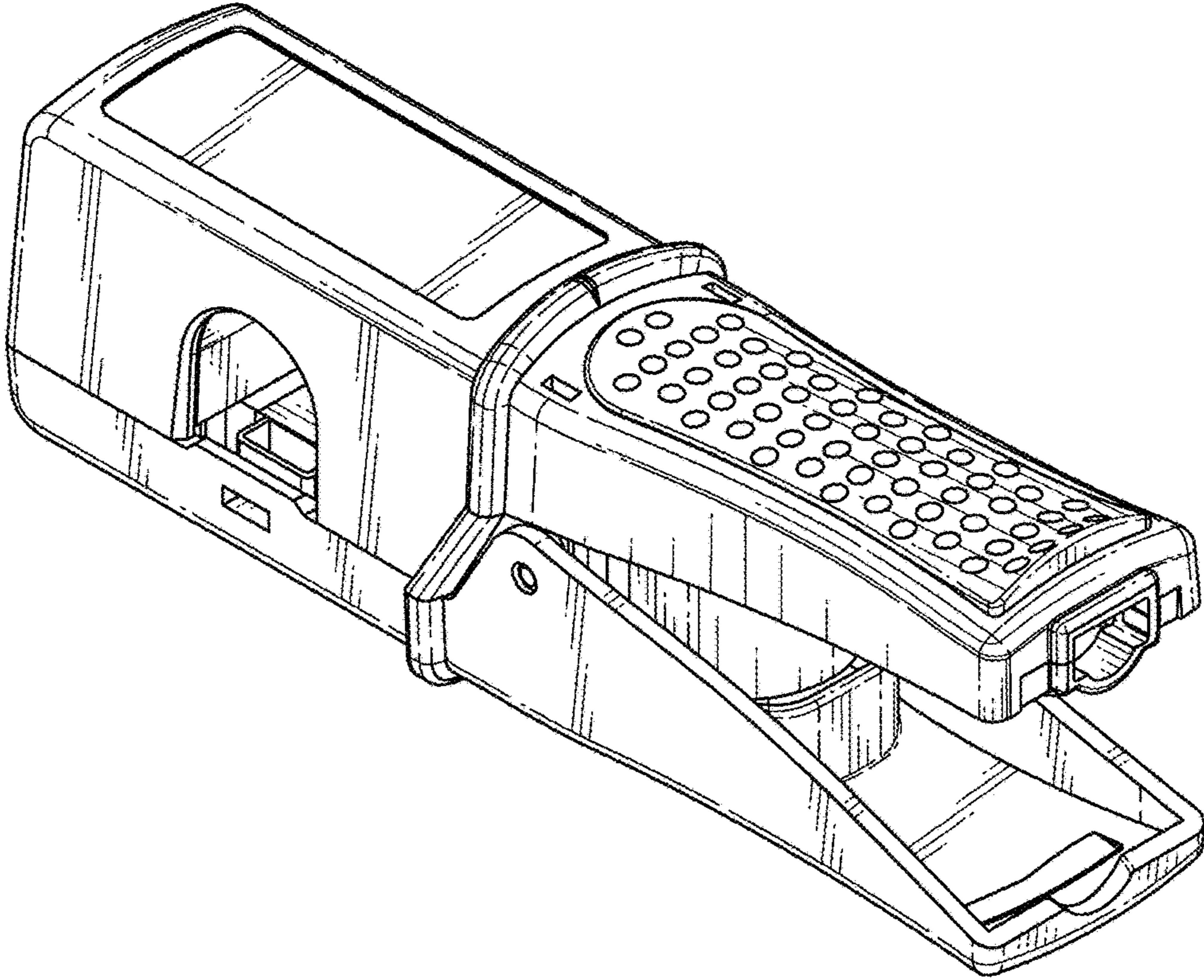


FIG. 1

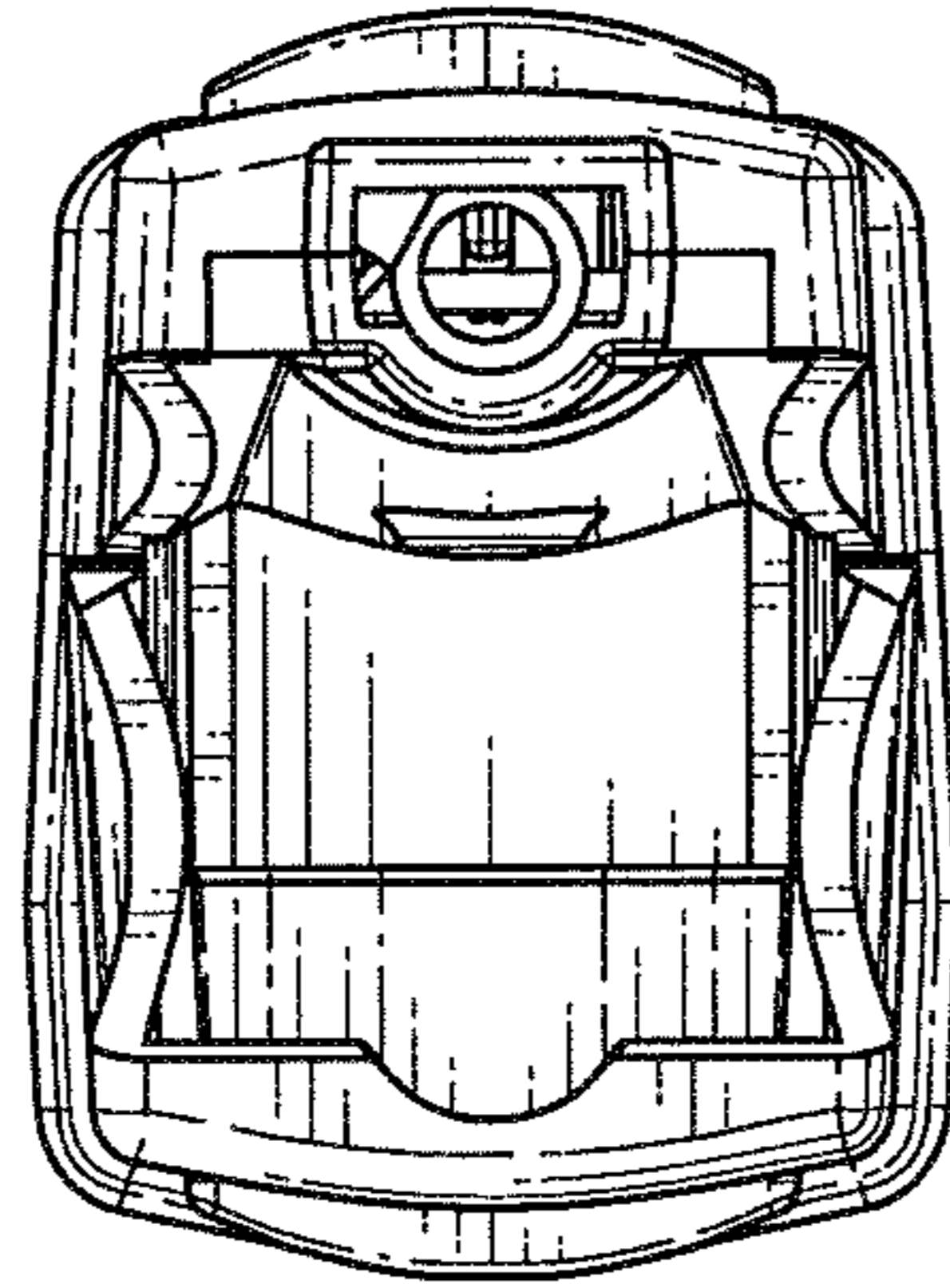


FIG. 2

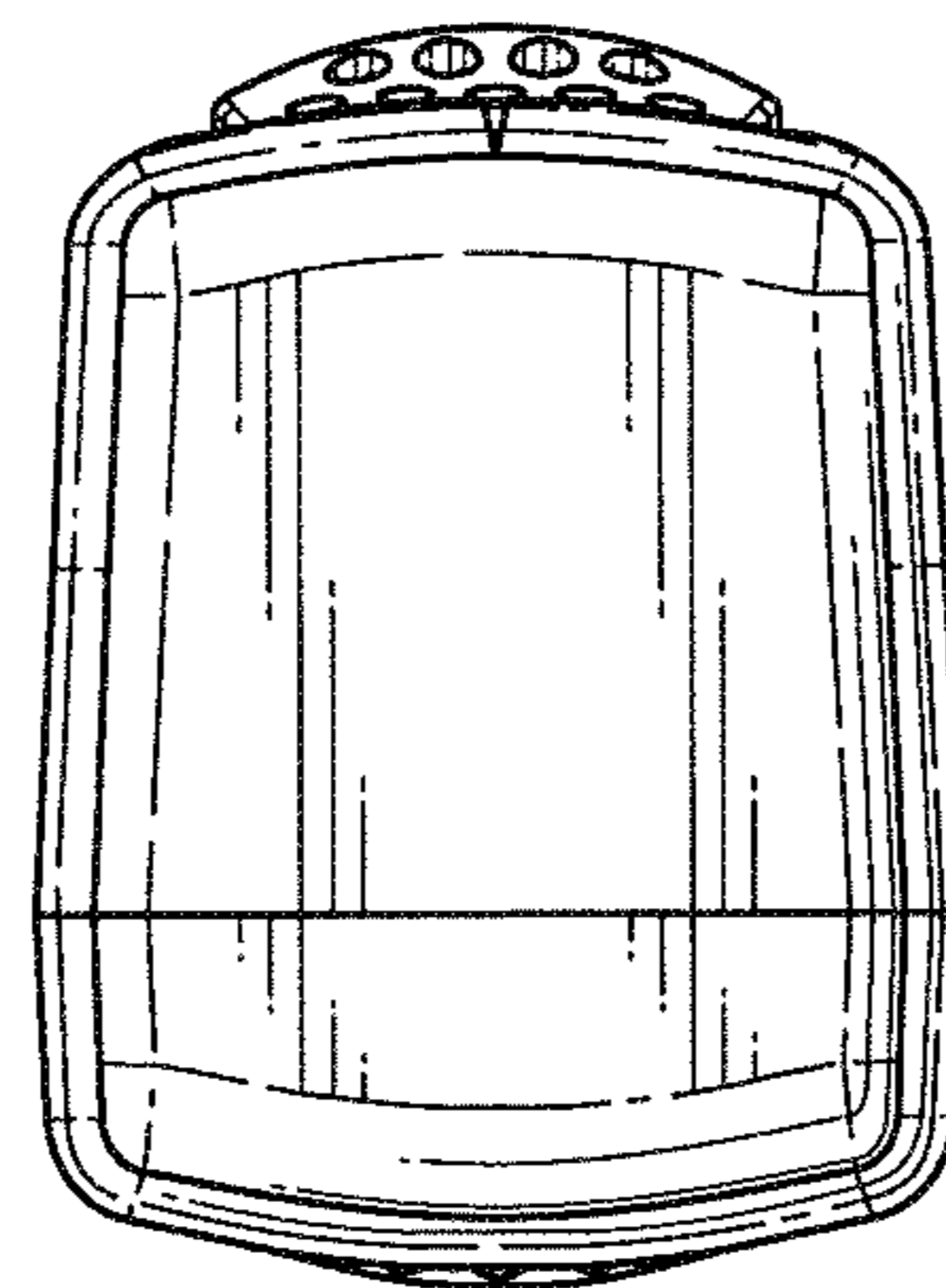


FIG. 3



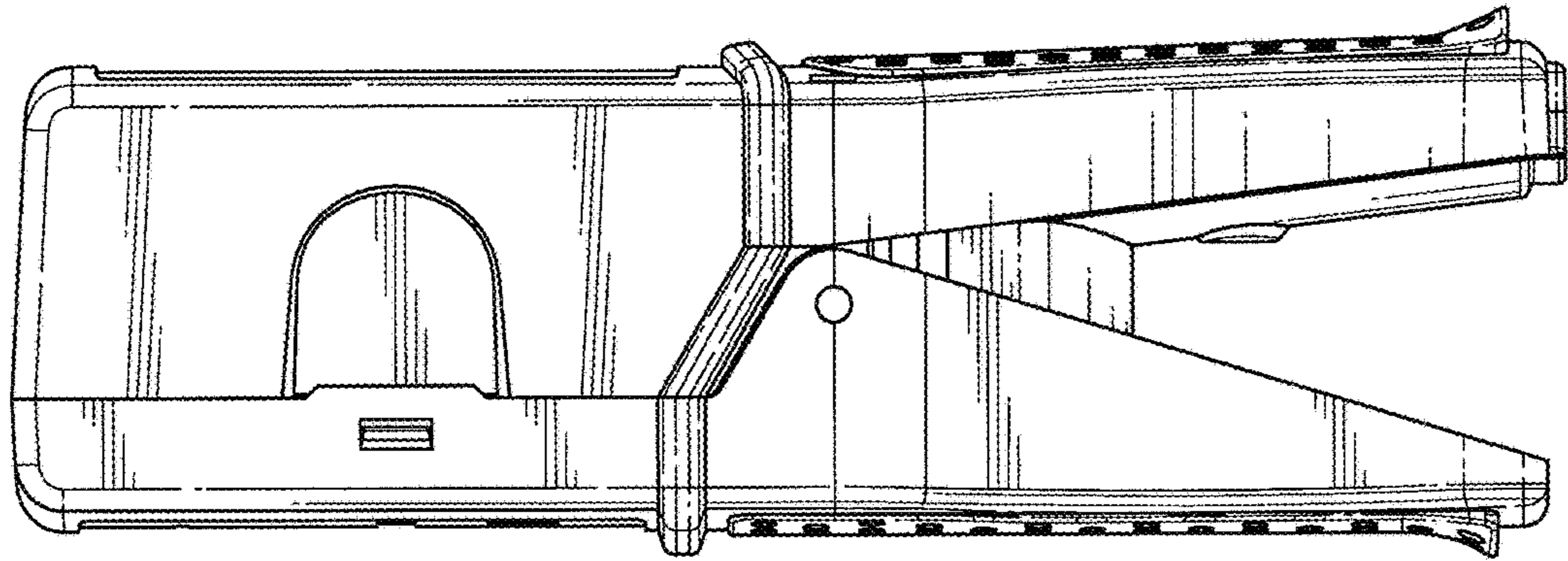


FIG. 4

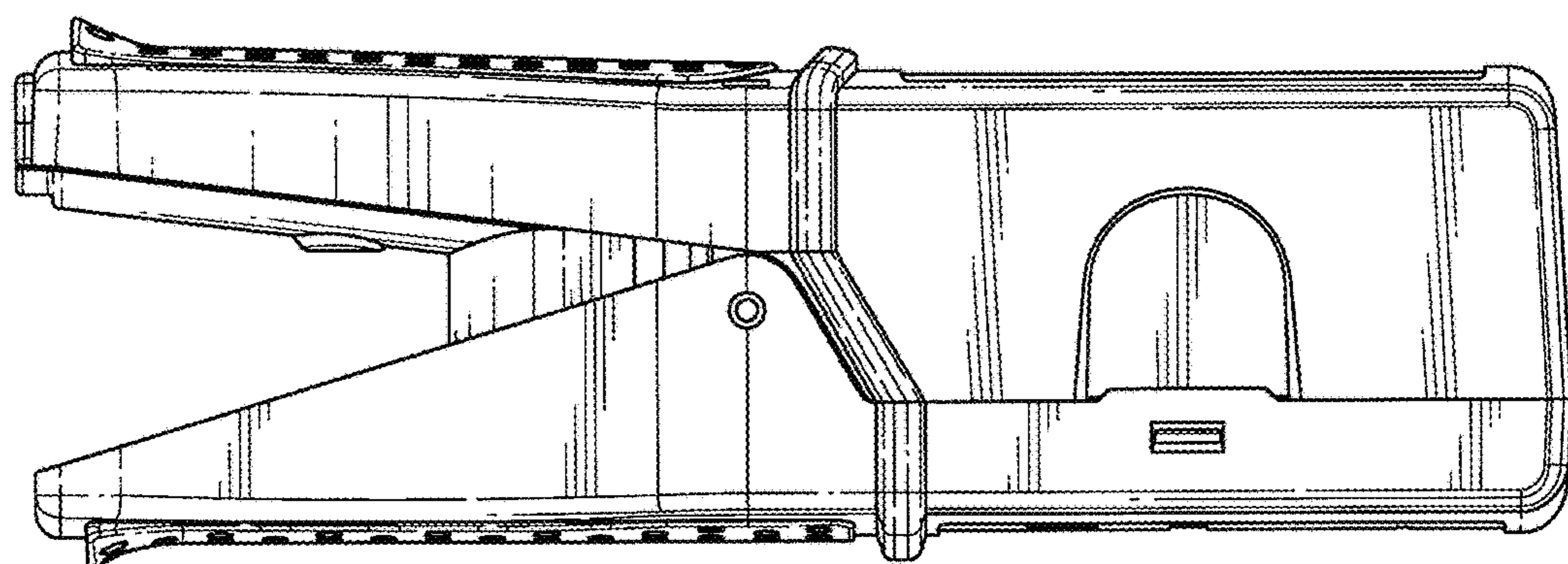


FIG. 5

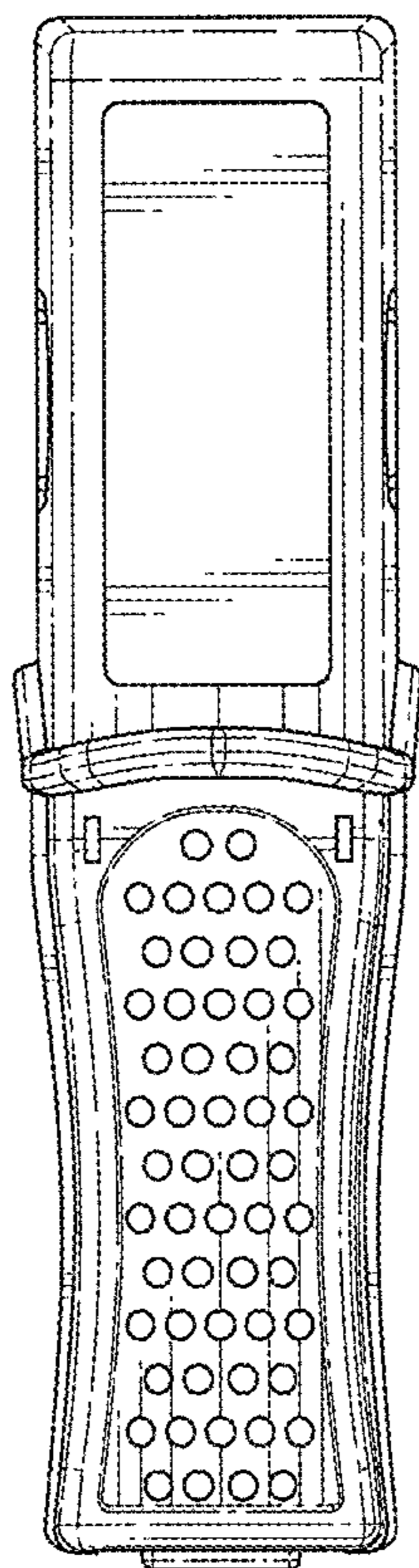


FIG. 6

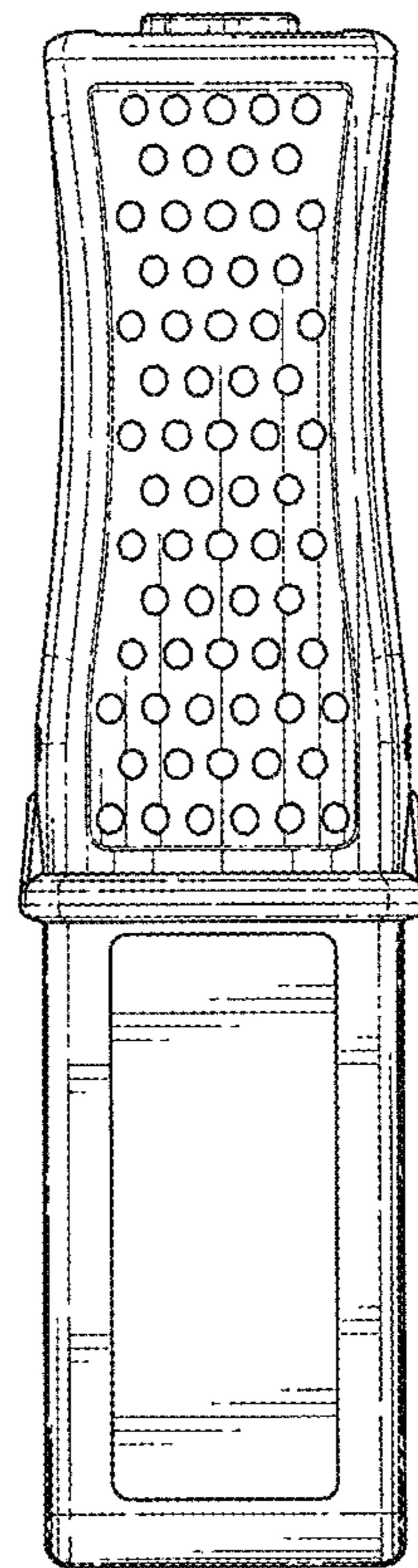


FIG. 7