



US00D805930S

(12) **United States Design Patent** (10) **Patent No.:** **US D805,930 S**
Ou (45) **Date of Patent:** **** Dec. 26, 2017**

(54) **TAPE MEASURE**
(71) Applicant: **Yu-Hua Ou**, Taichung (TW)
(72) Inventor: **Yu-Hua Ou**, Taichung (TW)
(**) Term: **15 Years**
(21) Appl. No.: **29/566,034**
(22) Filed: **May 26, 2016**
(51) **LOC (10) Cl.** **10-04**
(52) **U.S. Cl.**
USPC **D10/72**
(58) **Field of Classification Search**
USPC D10/72
CPC G01B 3/10; G01B 3/1002; G01B 3/1041;
G01B 2003/1043; G01B 2003/1046;
G01B 2003/1048; G01B 2003/1051;
G01B 2003/1053–2003/1097; G01B
3/1082; G01B 3/1056; G01B 3/563;
G01B 3/566; G01B 3/1071; G07B 3/10
See application file for complete search history.

D471,473 S * 3/2003 Blackman D10/72
D486,085 S * 2/2004 Lee D10/72
D504,835 S * 5/2005 Snider D10/72
D602,383 S * 10/2009 Lin D10/72
D604,186 S * 11/2009 Schrage D10/72

* cited by examiner

Primary Examiner — Antoine Duval Davis
(74) *Attorney, Agent, or Firm* — Muncy, Geissler, Olds & Lowe, P.C.

(57) **CLAIM**

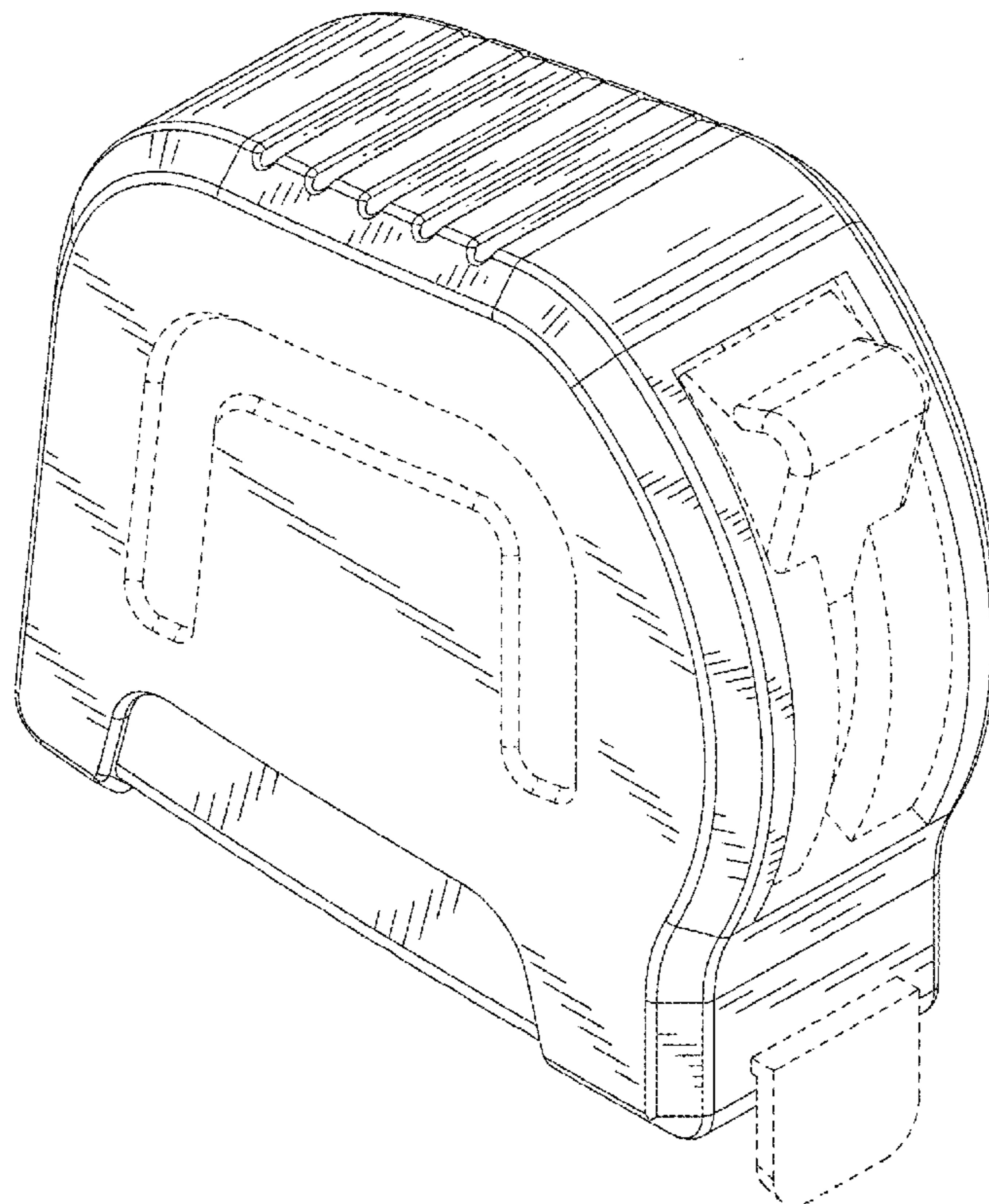
I claim the ornamental design for a tape measure, as shown and described.

DESCRIPTION

FIG. 1 is a right, front, top perspective view of a tape measure showing my new design;
FIG. 2 is a front elevational view thereof;
FIG. 3 is a rear elevational view thereof;
FIG. 4 is a left side view thereof;
FIG. 5 is a right side view thereof;
FIG. 6 is a top plan view thereof;
FIG. 7 is a bottom plan view thereof; and,
FIG. 8 is a left, rear, bottom perspective view.
The broken lines in the drawings illustrate portions of the tape measure which form no part of the claimed design.

(56) **References Cited**
U.S. PATENT DOCUMENTS
5,820,057 A * 10/1998 Decarolis B65H 75/486
242/375.3
D410,395 S * 6/1999 Li D10/72

1 Claim, 6 Drawing Sheets



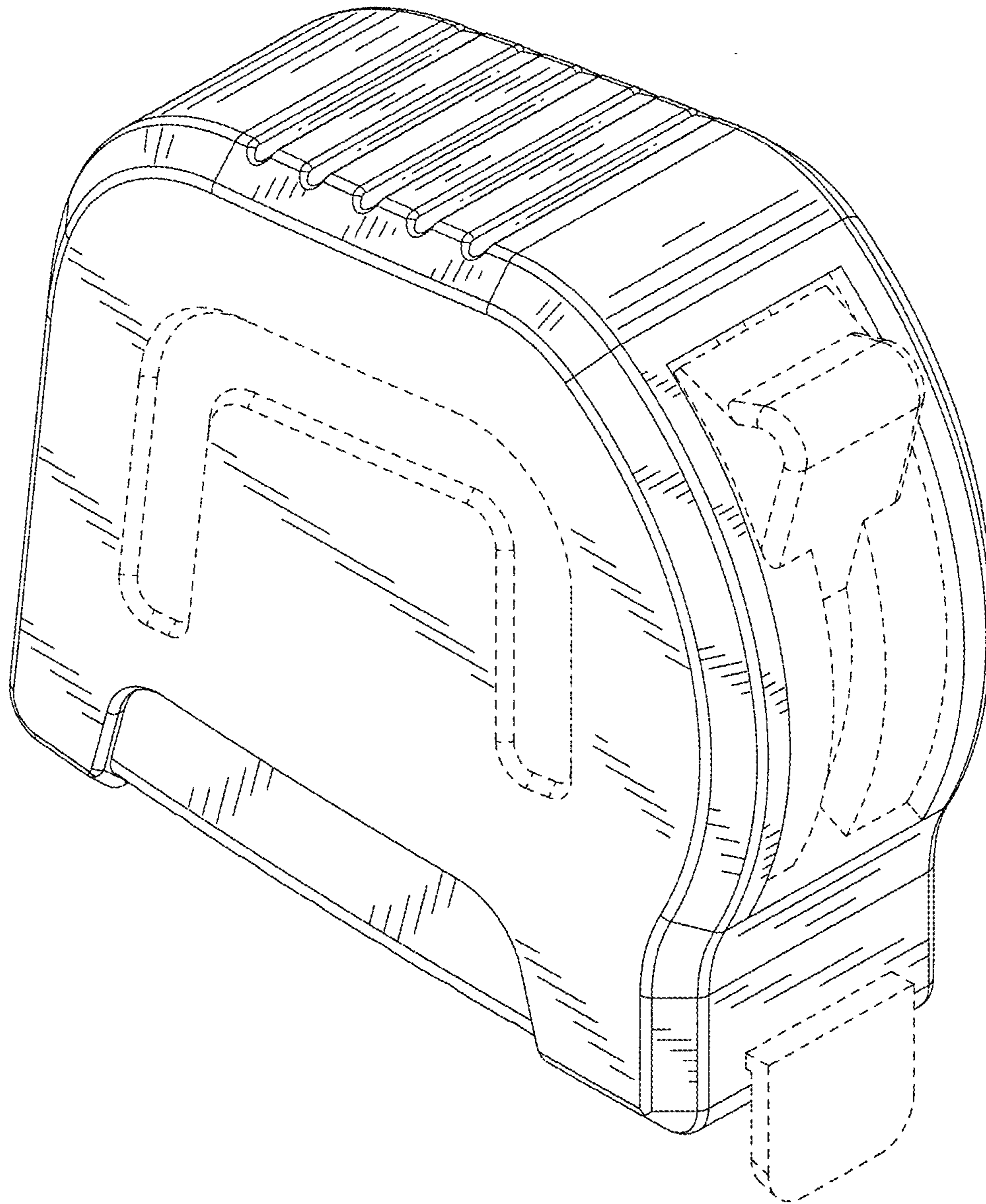


FIG. 1

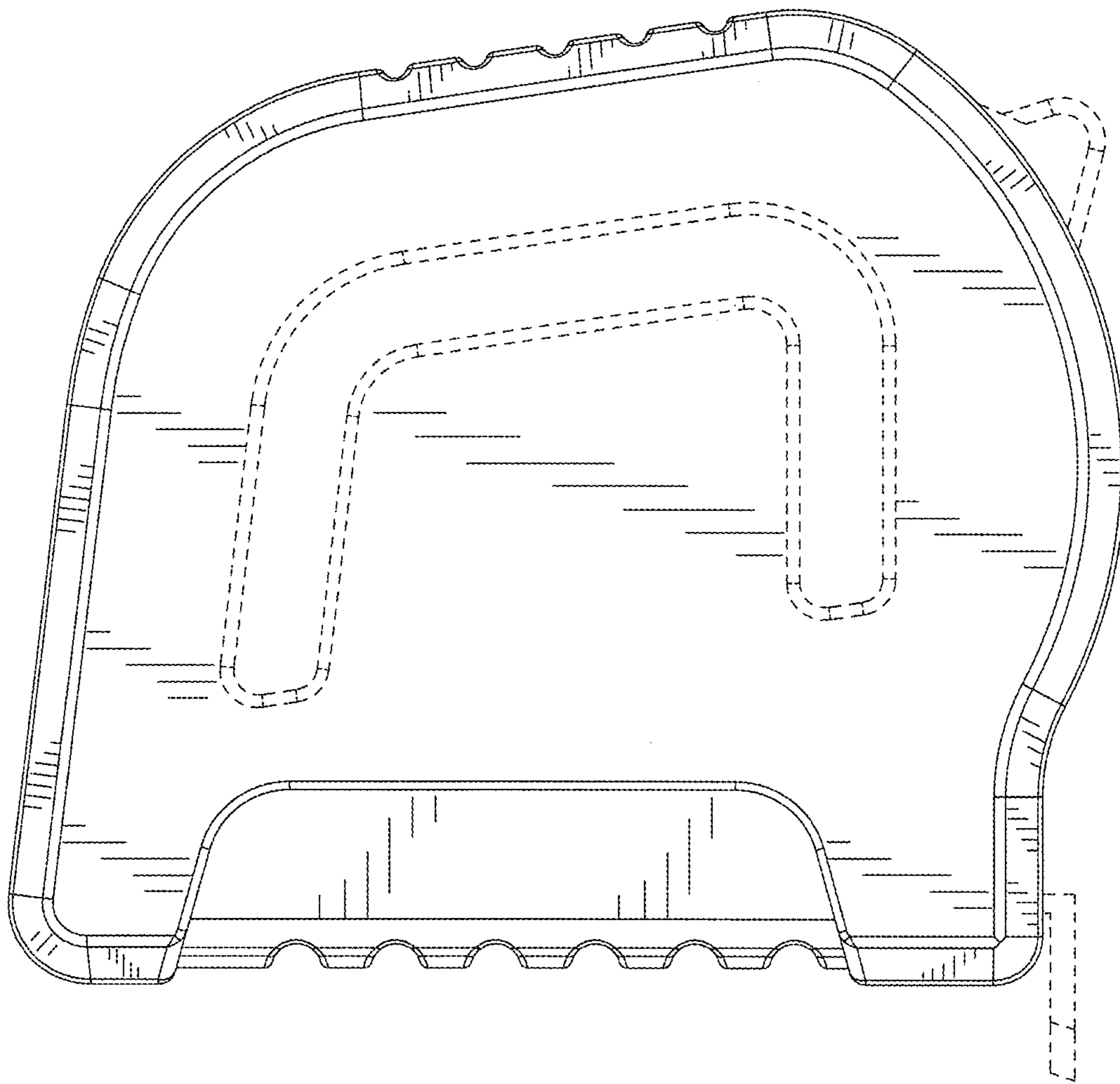


FIG. 2

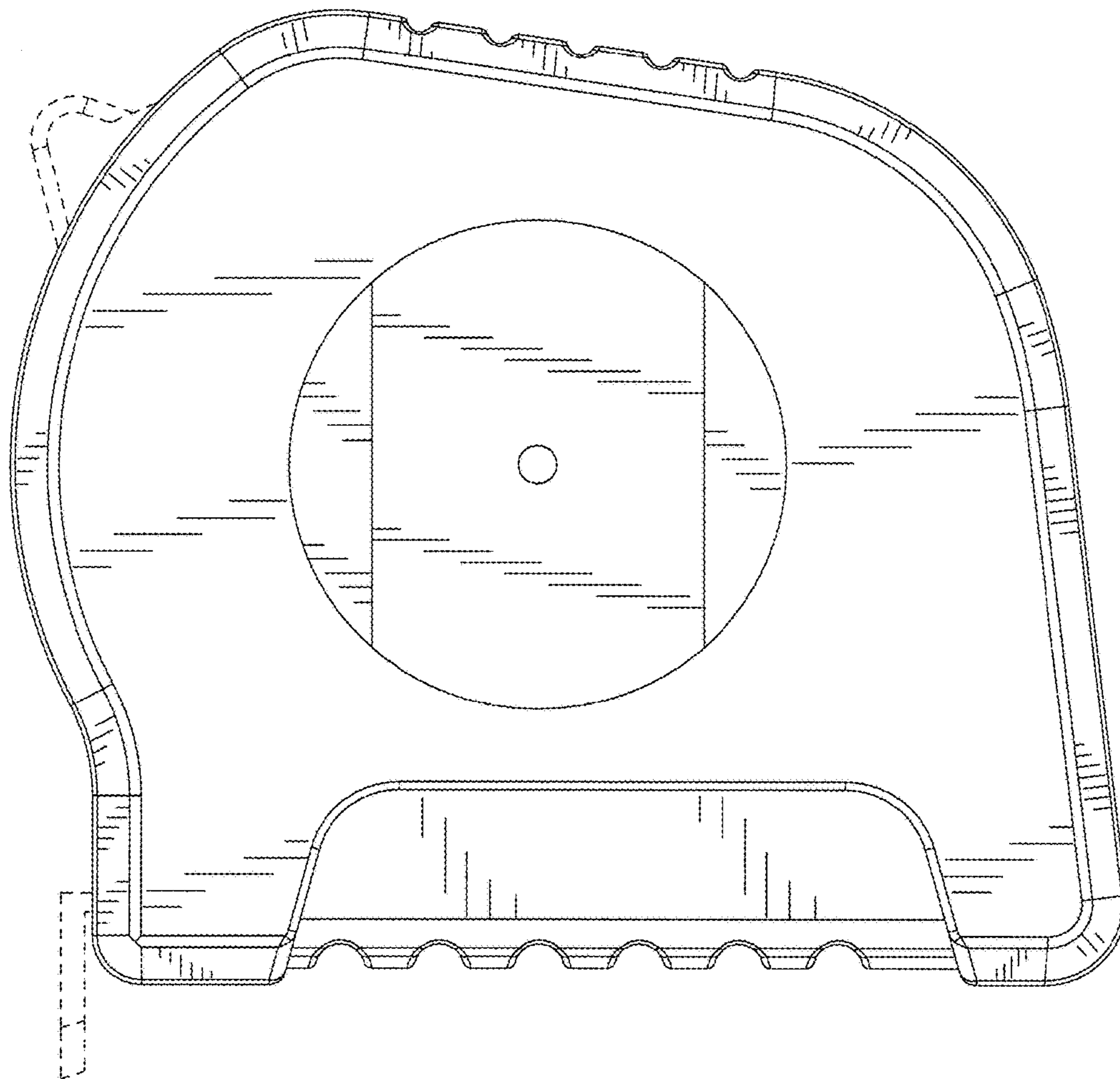


FIG. 3

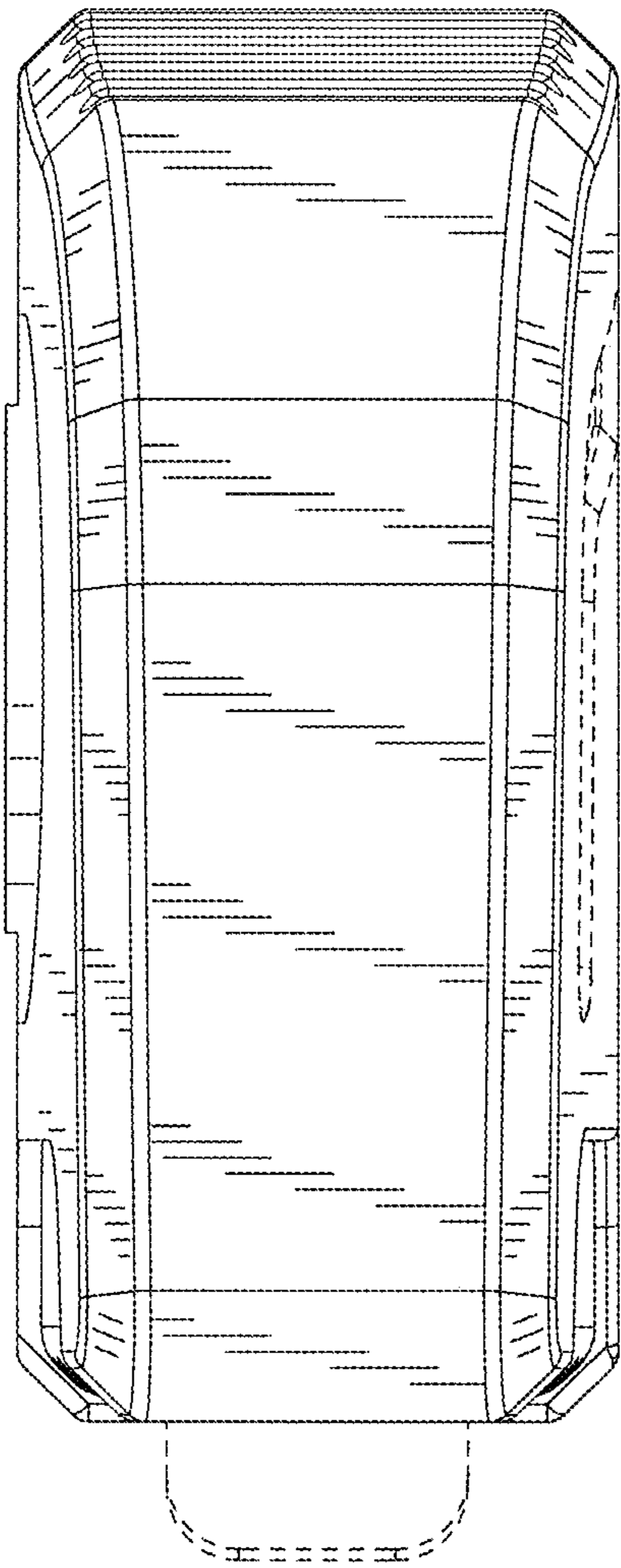


FIG. 4

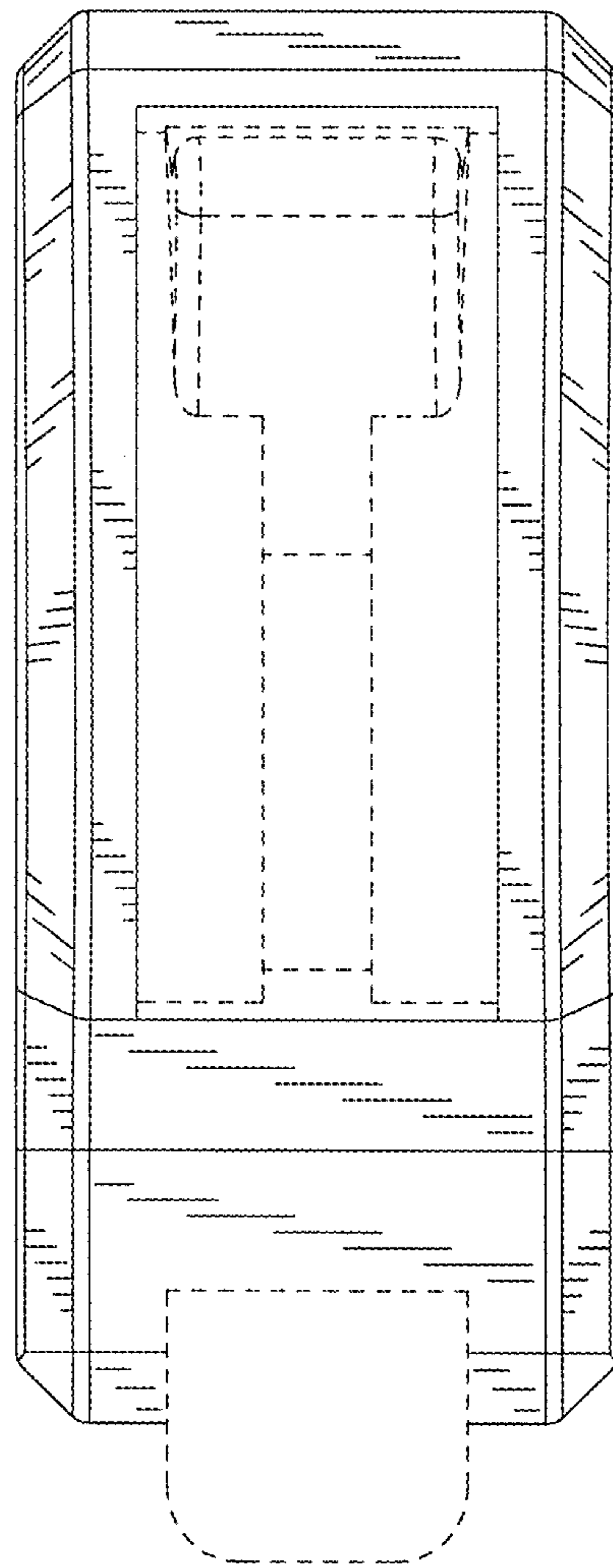


FIG. 5

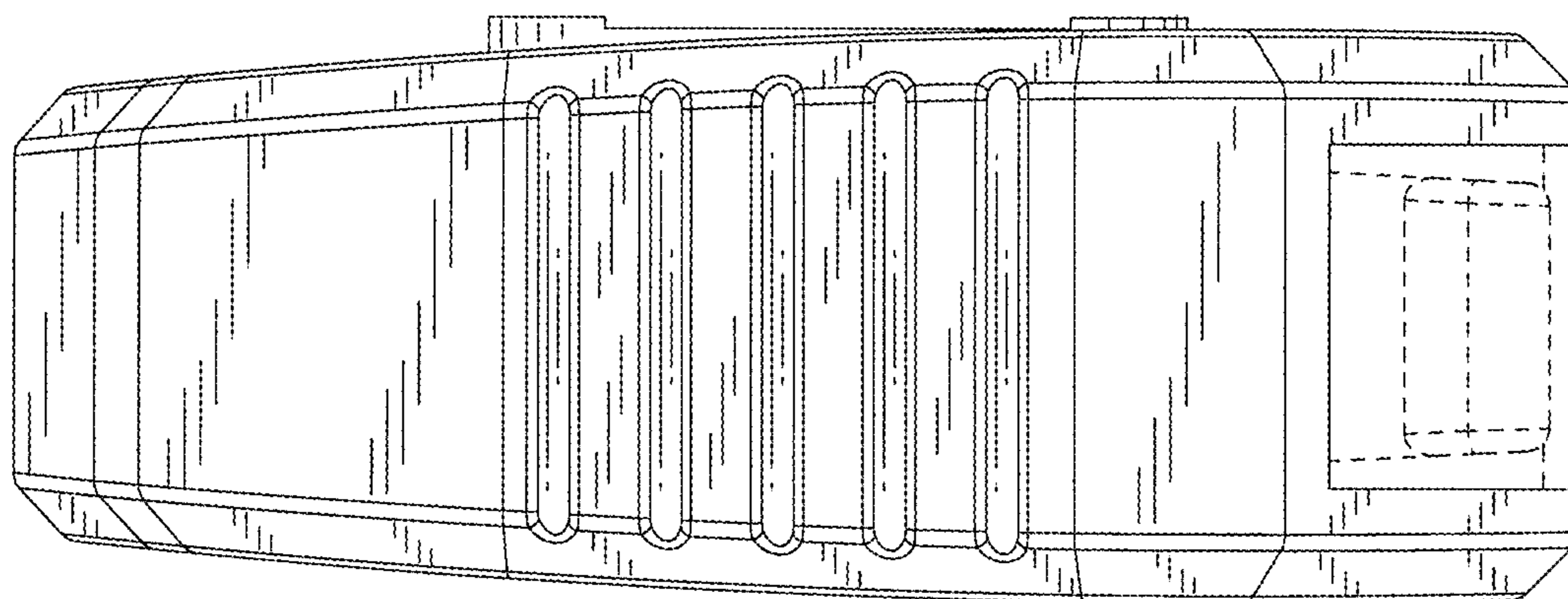


FIG. 6

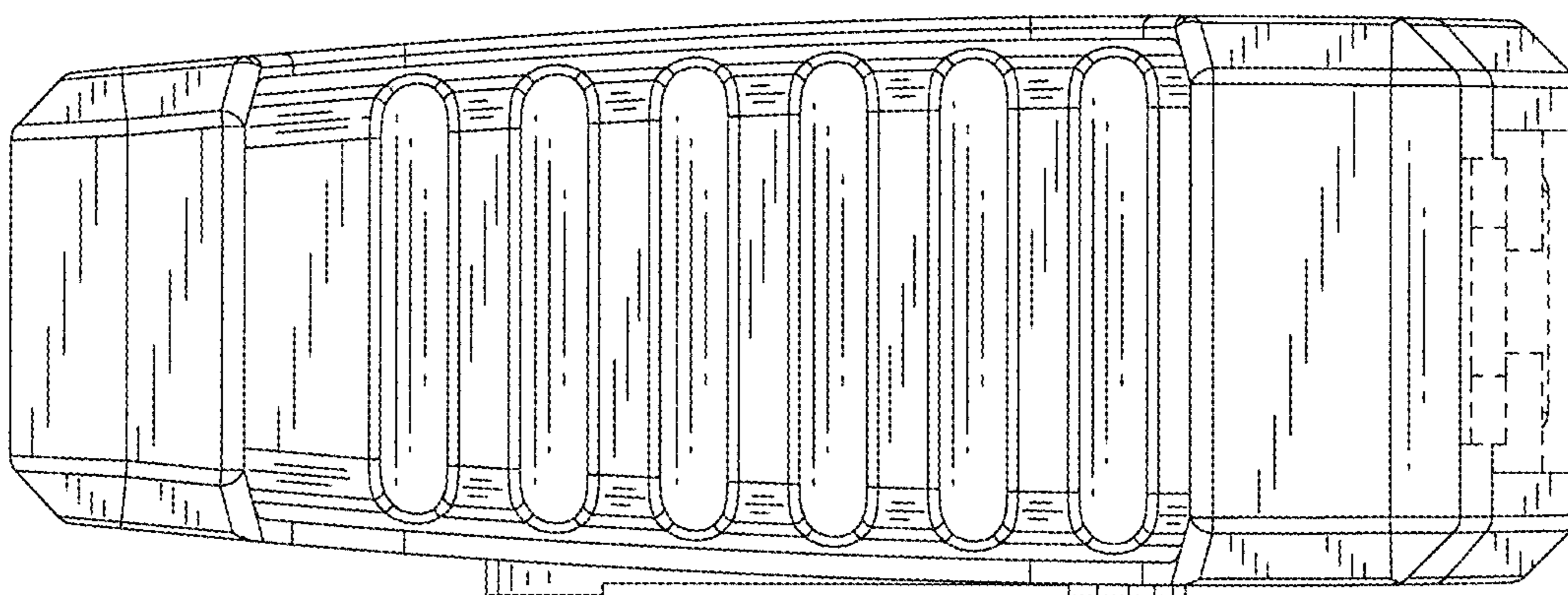


FIG. 7

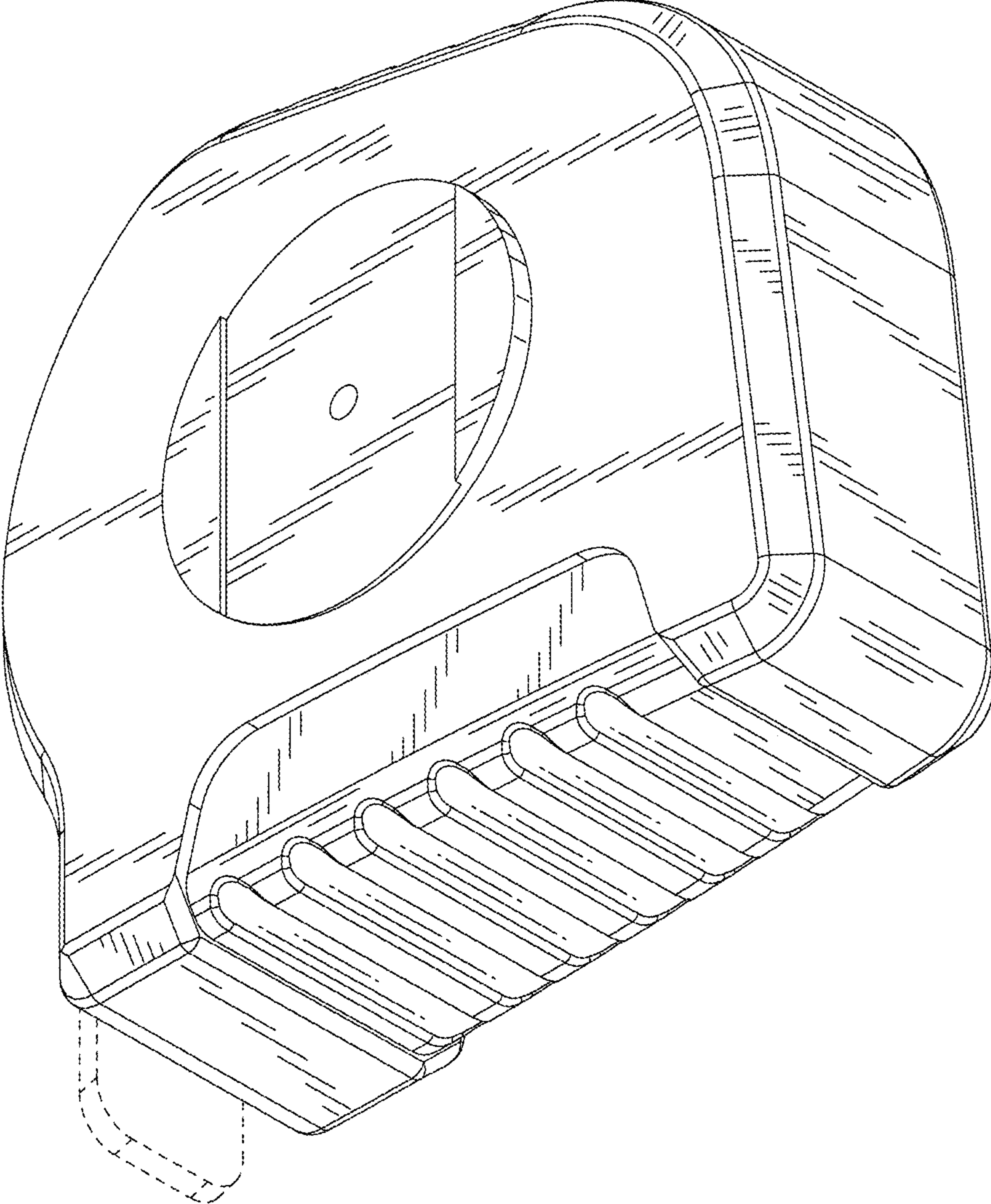


FIG. 8