



US00D805929S

(12) **United States Design Patent** (10) **Patent No.:** **US D805,929 S**
Akana et al. (45) **Date of Patent:** **** Dec. 26, 2017**

(54) **WEARABLE DEVICE**

(71) Applicant: **Apple Inc.**, Cupertino, CA (US)

(72) Inventors: **Jody Akana**, San Francisco, CA (US); **Bartley K. Andre**, Palo Alto, CA (US); **Shota Aoyagi**, San Francisco, CA (US); **Anthony Michael Ashcroft**, San Francisco, CA (US); **Jeremy Bataillou**, San Francisco, CA (US); **Daniel J. Coster**, San Francisco, CA (US); **Daniele De Iuliis**, San Francisco, CA (US); **M. Evans Hankey**, San Francisco, CA (US); **Julian Hoenig**, San Francisco, CA (US); **Richard P. Howarth**, San Francisco, CA (US); **Jonathan P. Ive**, San Francisco, CA (US); **Duncan Robert Kerr**, San Francisco, CA (US); **Marc A. Newson**, London (GB); **Matthew Dean Rohrbach**, San Francisco, CA (US); **Peter Russell-Clarke**, San Francisco, CA (US); **Benjamin Andrew Shaffer**, San Jose, CA (US); **Mikael Silvano**, San Francisco, CA (US); **Christopher J. Stringer**, Woodside, CA (US); **Eugene Antony Whang**, San Francisco, CA (US); **Rico Zörkendörfer**, San Francisco, CA (US)

(73) Assignee: **Apple Inc.**, Cupertino, CA (US)

(**) Term: **15 Years**

(21) Appl. No.: **29/577,959**

(22) Filed: **Sep. 16, 2016**

Related U.S. Application Data

(63) Continuation of application No. 29/501,059, filed on Aug. 29, 2014, now Pat. No. Des. 766,752, which is a continuation of application No. 29/499,090, filed on Aug. 11, 2014, now abandoned.

(51) **LOC (10) Cl.** **10-04**

(52) **U.S. Cl.**

USPC **D10/70**; D10/30; D10/103

(58) **Field of Classification Search**

USPC D10/30-39, 65, 70, 78, 97, 98, 103;
D14/138 R, 203.5, 203.6, 341, 344, 347;
D24/167, 168, 186

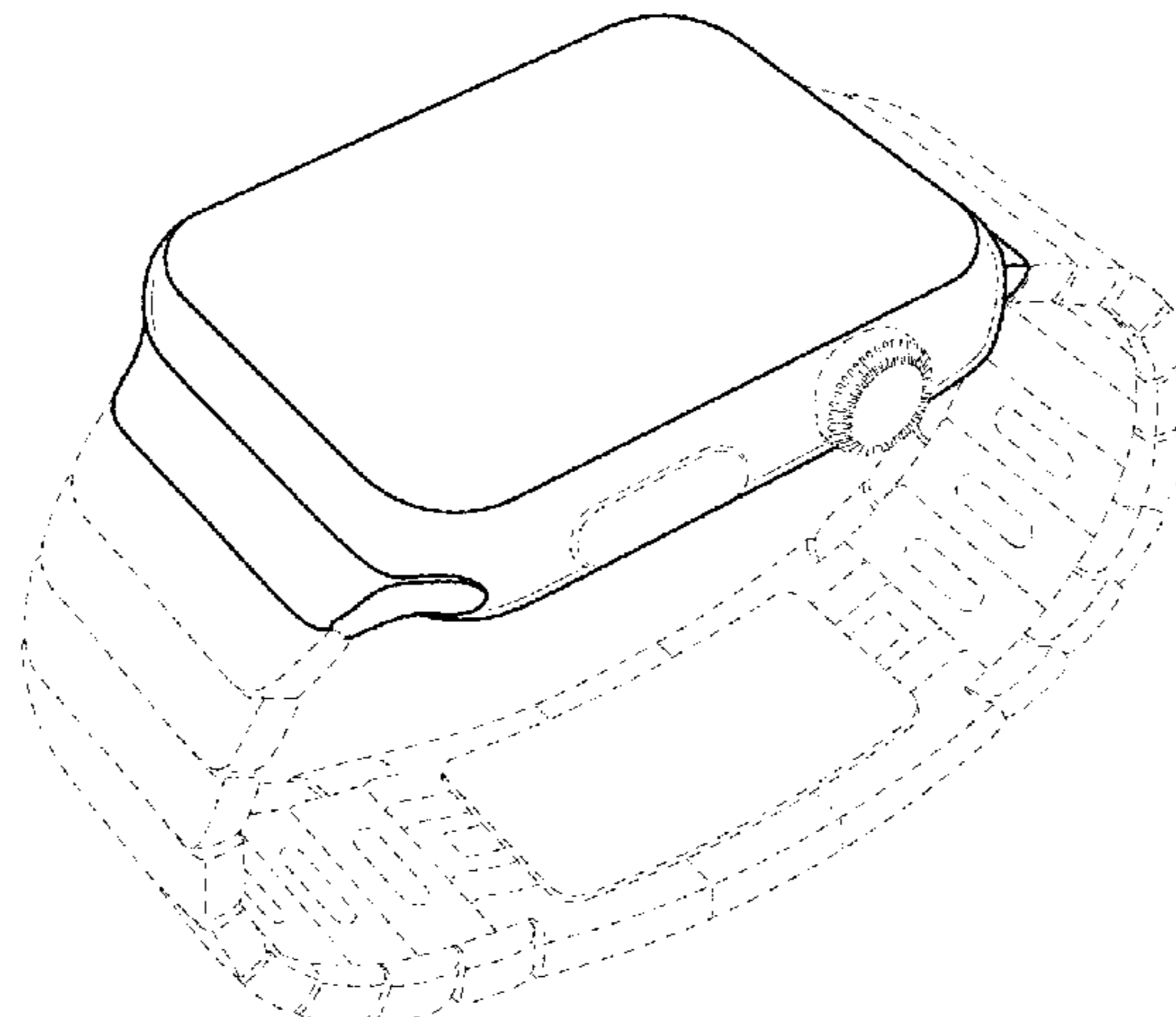
CPC A44C 5/00-5/16; G04B 37/00-37/228;
G04B 45/0069; G04B 47/04; G04B
19/00-19/34; G04B 21/12; G04B 23/12;
G04B 47/00-47/068; G01C 17/00; G01C
21/00-21/3697; G01C 22/00-22/025;
G01C 23/00-23/005; G01C 21/16; G06F
19/3481; G06F 3/00-3/027; G06F 1/163;
G01P 1/00-1/26; G01P 15/00-15/18;
A63B 24/00-2024/0096; A63B 2213/00;
A63B 69/0028; A63B
2071/0658-2071/0666; A63B
2220/00-2220/89; A63B 2225/02; A63C
11/02; A61B 5/0537; A61B 5/4872; A61B
5/6831; A61B 5/4869; A61B 5/0858;
A61B 5/1075; A61B 5/107; A61B
5/4875; A61B 5/4878; A61B 5/4881;
A61B 5/61-5/6898; G04R 20/02; G04C
10/00; G04C 10/02; G08B 21/0269;
G08B 21/0272; G08B 21/0286; G08B
21/0288; G08B 21/0291; G08B
21/04-21/2454; G01S 19/00-19/55;
G04G 9/0064; G04G 9/0005

See application file for complete search history.

(56) **References Cited**

U.S. PATENT DOCUMENTS

1,712,564 A	5/1929	Jones
1,712,582 A	5/1929	Renz
1,738,407 A	12/1929	Tost
1,740,894 A	12/1929	Johnson
1,760,662 A	5/1930	Prestinari
1,764,440 A	6/1930	Gammell et al.
1,784,582 A	12/1930	Doppenschmitt
1,786,943 A	12/1930	Gammell
D152,491 S	1/1949	Osier
3,030,686 A	4/1962	Burkhardt
3,372,500 A	3/1968	Claude
3,640,065 A	2/1972	Lederrey et al.
3,665,565 A	5/1972	Kruger



JP	5479052	B2	4/2014
KR	30-0298089		5/2002
KR	30-0476859		1/2008
KR	30-0476860		1/2008
WO	WO-9117679	A1	11/1991
WO	WO-DM/003704-002		9/1995
WO	WO-DM/041969-001		1/1998
WO	WO-DM/047086-002		5/1999
WO	WO-DM/061681-002		10/2002
WO	WO-DM/063315-002		5/2003
WO	WO-DM/066491-004		3/2005
WO	WO-DM/068937-006		6/2007
WO	WO-DM/070624-004		10/2008
WO	WO-DM071101		12/2008
WO	WO-DM072215		9/2009
WO	WO-DM/074430-001		11/2010
WO	WO-DM/077452-004		6/2011
WO	WO-2013182397	A1	12/2013
WO	WO-2014135709	A2	9/2014

OTHER PUBLICATIONS

Design U.S. Appl. No. 29/499,071, filed Aug. 11, 2014; Akana et al.
 Design U.S. Appl. No. 29/499,075, filed Aug. 11, 2014; Akana et al.
 Design U.S. Appl. No. 29/499,081, filed Aug. 11, 2014; Akana et al.
 Design U.S. Appl. No. 29/499,082, filed Aug. 11, 2014; Akana et al.
 Design U.S. Appl. No. 29/499,090, filed Aug. 11, 2014; Akana et al.
 Alvarez, Edgar, "Basis Peak to get its smartwatch-like features in December," engadget.com, <<http://www.engadget.com/2014/11/20/basis-peak-new-features/>>, dated Nov. 20, 2014, accessed Dec. 15, 2014.
 Cool Material, "Braun Square Digital Watch," <<http://web.archive.org/web/20111125033014/http://coolmaterial.com/style/braun-square-digital-watch/>>, dated Nov. 25, 2011, accessed Dec. 18, 2014.
 Emily, "Nixon—The Newton Digital," <<http://www.freshnessmag.com/2009/09/08/nixon-the-newton-digital/>>, freshnessmag.com, dated Sep. 8, 2009, accessed Oct. 9, 2014.
 Fitbit, "Fitbit Surge™ Fitness Super Watch" <<https://www.fitbit.com/surge>>, accessed Dec. 15, 2014.
 geekbuying.com, "Makibes unisex red led digital wrist watch with square case silicone watchband—white," <<http://www.geekbuying.com/item/Unisex-Red-LED-Digital-Wrist-Watch-with-Square-Case-Silicone-Watchband---White-326443.html>>, accessed Oct. 9, 2014.
 Haedges, "1 Set Silver End Cap Clasp—Findings Large Toggle Clasp End Caps Buckle Connector with Five Inside Loops for Jewelry Making 26mm," <<http://www.etsy.com/listing/101269004/1-set-silver-end-cap-clasp-findings?ref=market>>, Listed on Aug. 29, 2014, accessed Oct. 9, 2014.
 Hodinkee.com, "Apple iPod Nano Now Available With Mickey Mouse Dial, Also Cheesy, Mechanically Inaccurate Open-Worked Dial," <<http://web.archive.org/web/20111006043916/http://www.hodinkee.com/blog/2011/10/5/apple-ipod-nano-now-available-with-mickey-mouse-dial-also-ch.html>>, dated Oct. 6, 2011, accessed Dec. 18, 2014.
 Homego, "M6 Silver Smart Watch Cell Phone 1.54 inch Bluetooth 3.0 Dialer Outdoor Sports Pedometer," amazon.com, <<http://www.amazon.com/Silver-Bluetooth-Dialer-Outdoor-Pedometer/dp/B00MQTBGK6>>, accessed Dec. 15, 2014.
 Ikepod, "Original Ikepod Watch With GMT—Marc Newson Design," Watchbox.be, <<http://www.watchbox.be/prod/Other-Watches/Marc%20Newson%20Design/item7165.htm#VJLm2fAo5D8>>, accessed Dec. 17, 2014.
 Ipod Nano Watch Band Metal, <<http://trend-kid.com/ipod-nano-watch-band-orange.htm>>, accessed Dec. 5, 2014.
 LG Life's Good, "LG G Watch (W100)," <<http://www.lg.com/us/smart-watches/lg-W100-g-watch>>, accessed Dec. 18, 2014.
 Metawatch, "Frame—Black (MW3005)," <<http://meta.watch/collections/smartwatch-all/products/frame-ss-black-leather>>, accessed Dec. 15, 2014.

Omate, "Omate TrueSmart: Water-resistant standalone Smartwatch 2.0," <<http://www.kickstarter.com/projects/omate/omate-truesmart-water-resistant-standalone-smartwa>>, dated Aug. 21, 2013, accessed Oct. 8, 2014.

Omate, "The TrueSmart™ is the world's first standalone smartwatch 2.0 running on top of Android and OUI 2.0," <<http://www.omate.com/product.html>>, accessed Dec. 15, 2014.

[Online] <http://i1-news.softpedia-static.com/images/news2/The-Chips-for-Apple-s-Smartwatch-Are-Entering-Production-464937-2.jpg> Retrieved on Feb. 17, 2015.

Pebble, "Pebble Smartwatch," getpebble.com, <<https://getpebble.com/checkout>>, accessed Dec. 15, 2014.

Samsung, "Samsung Gear™ 2 Charcoal Black SM-R3800VSAXAR," <<http://www.samsung.com/us/mobile/wearable-tech/SM-R3800VSAXAR>>, accessed Dec. 15, 2014.

Samsung, "Samsung Gear S™, (Sprint), Black SM-R750PZKASPR," <<http://www.samsung.com/us/mobile/wearable-tech/SM-R750PZKASPR>>, accessed Dec. 15, 2014.

Samsung, "Galaxy Gear™ Live, Black SM-R3820ZKAXAR," <<http://www.samsung.com/us/mobile/wearable-tech/SM-R3820ZKAXAR>>, accessed Dec. 15, 2014.

Sony, "SmartWatch," <<http://www.sonymobile.com/us/products/accessories/smartwatch/>>, accessed Dec. 15, 2014.

Sony, "SmartWatch 3 SWR50," <<http://www.sonymobile.com/us/products/smartwear/smartwatch-3-swr50/>>, accessed Dec. 15, 2014.

Stables, James, "Clevercare smartwatch aims to help Alzheimer's suffers and carers: Revamped Sony SmartWatch 2 designed for users that need care," Wearable News, <<http://www.wearable.com/wearable-tech/clevercare-smartwatch-aims-to-help-alzheimers-suffers-and-carers-585>>, dated Dec. 15, 2014.

Suunto D6 Replacement Stainless Metal Watch Band Bracelet SS013525000 w/ Free Shipping and Handling, <<http://www.opticsplanet.com/suunto-d6-replacement-stainless-bracelet.html>>, accessed Dec. 5, 2014.

Ted Baker, "Ted Baker Men's TE1054 Time Flies Contemporary Square Digital Case Watch," <<http://www.amazon.com/Ted-Baker-TE1054-Contemporary-Digital/dp/B0045CRTYO%3FSub-descriptionId%3DAKIAJ3U4YRIBWCGKZ2%26tag%3Dfrases3-65-20%26linkCode%3Dsp1%26camp%3D2025%26creative-%3D165953%26creativeASIN%3DB0045CRTYO>>, accessed Oct. 9, 2014.

Thomas Ricker, "Nike's Amp+ watch: hearts your heart and iPod, too," Oct. 5, 2007, <<http://www.engadget.com/2007/10/05/nikes-amp-watch-hearts-your-heart-and-ipod-too/>>, accessed Dec. 17, 2014.

Twist-O-Flex Radial (16-21mm, Stainless Steel), <<http://www.thewatchprince.com/Speidel-Twist-O-Flex-Expansion-Radial-Stainless>>, accessed Dec. 5, 2014.

Velazco, Chris, "ASUS ZenWatch review: subtle and stylish, with a few shortcomings," Engadget.com, <<http://www.engadget.com/2014/12/11/asus-zenwatch-review/>>, dated Dec. 11, 2014, accessed Dec. 15, 2014.

Watches Infoniac.com, "Hermes Carre H Watch—Extremely Contemporary Design," <<http://watches.infoniac.com/carre-h-watch-hermes.html>>, dated Aug. 13, 2010, accessed Dec. 18, 2014.

Watchismo, "Braun BN0042 Black Date Leather," <<http://web.archive.org/web/20130815073830/http://www.watchismo.com/braun-bn0042bkbk.aspx>>, dated Aug. 15, 2013, accessed Dec. 18, 2014.

"Louis Moinet Geograph," posted at worldwatchreview.com, dated Mar. 14, 2011. Available from Internet: <<http://www.worldwatchreview.com/2011/03/14/louis-moinet-geograph-limited-edition/>>. Retrieved Oct. 10, 2017.

"Innovative Components Knurled Knob K4 Master," posted at knobsource.com/catalog_prints.html, Posting date unknown, Drawing dated Nov. 27, 2007. Available from Internet: <<http://www.knobsource.com/pdf/k4-master-rev-0.pdf>>. Retrieved Oct. 10, 2017.

* cited by examiner

Primary Examiner — Antoine Duval Davis
 (74) Attorney, Agent, or Firm — Sterne, Kessler,
 Goldstein & Fox P.L.L.C.

(57)

CLAIM

The ornamental design for a wearable device, as shown and described.

DESCRIPTION

FIG. 1 is a bottom front perspective view of a wearable device showing the claimed design;

FIG. 2 is a top rear perspective view thereof;

FIG. 3 is a bottom view thereof;

FIG. 4 is a top view thereof;

FIG. 5 is a front view thereof;

FIG. 6 is a rear view thereof;

FIG. 7 is a right side view thereof; and,

FIG. 8 is a left side view thereof.

The broken lines in the figures show portions of the wearable device that form no part of the claimed design.

1 Claim, 4 Drawing Sheets

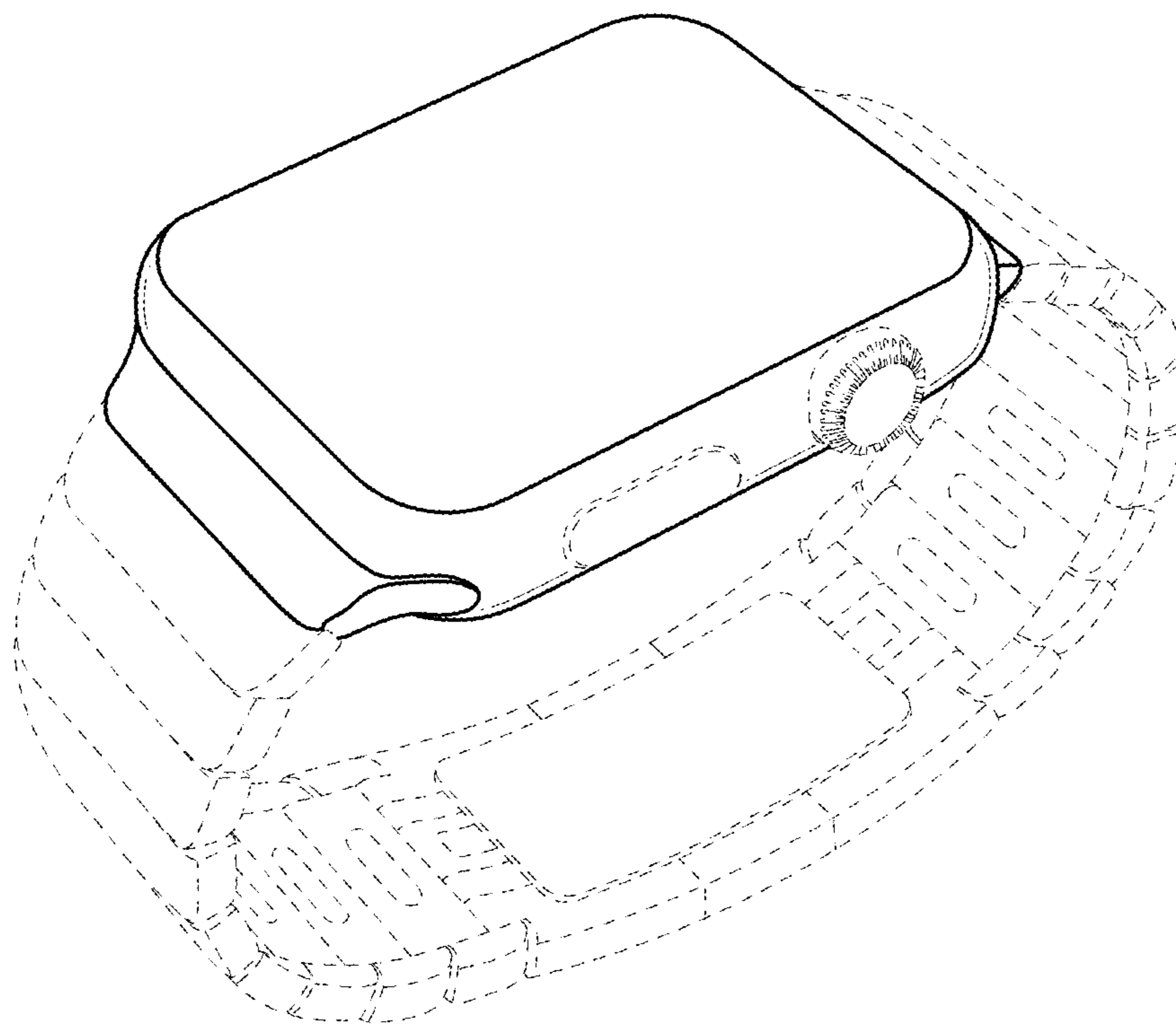


FIG. 1

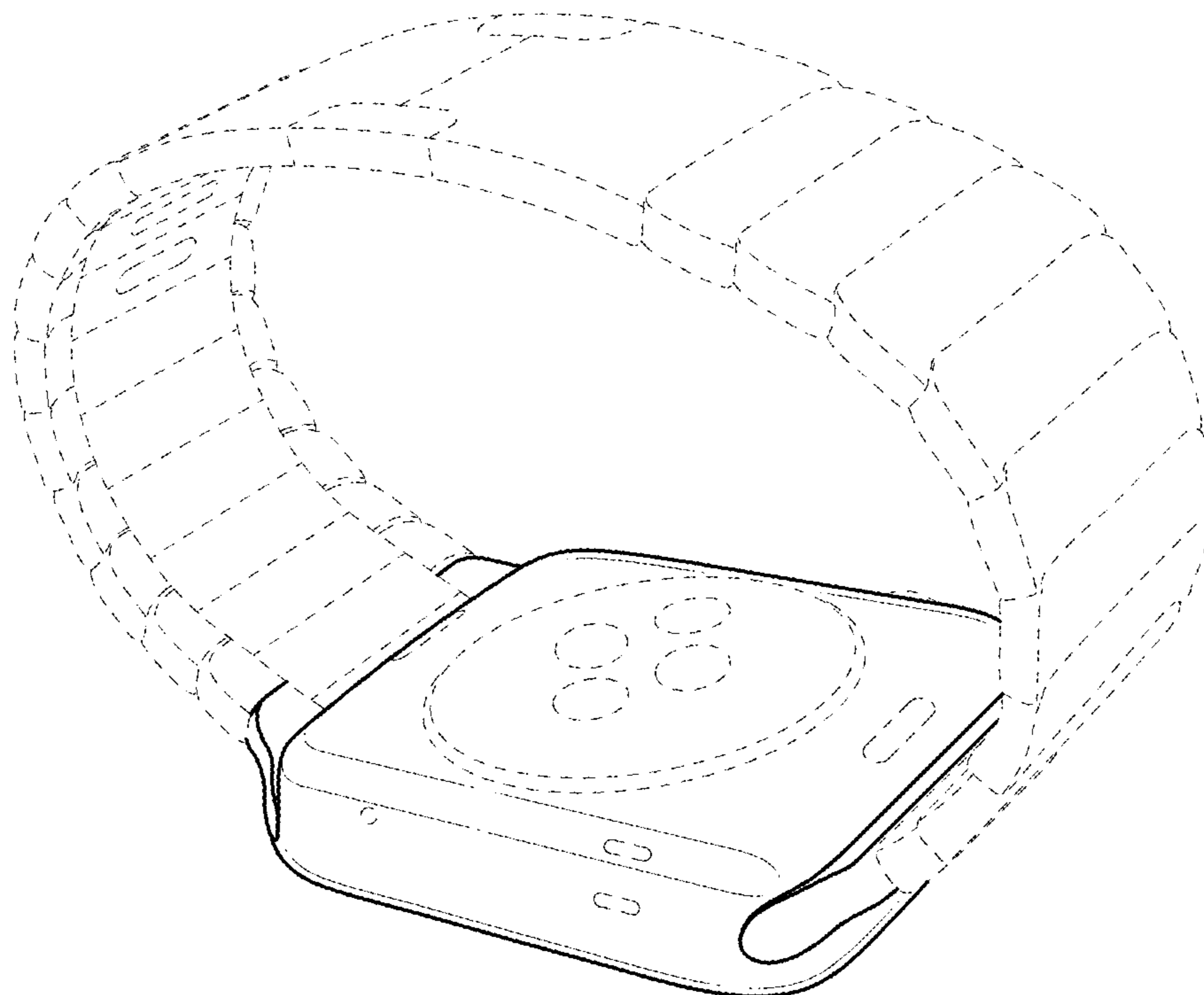


FIG. 2

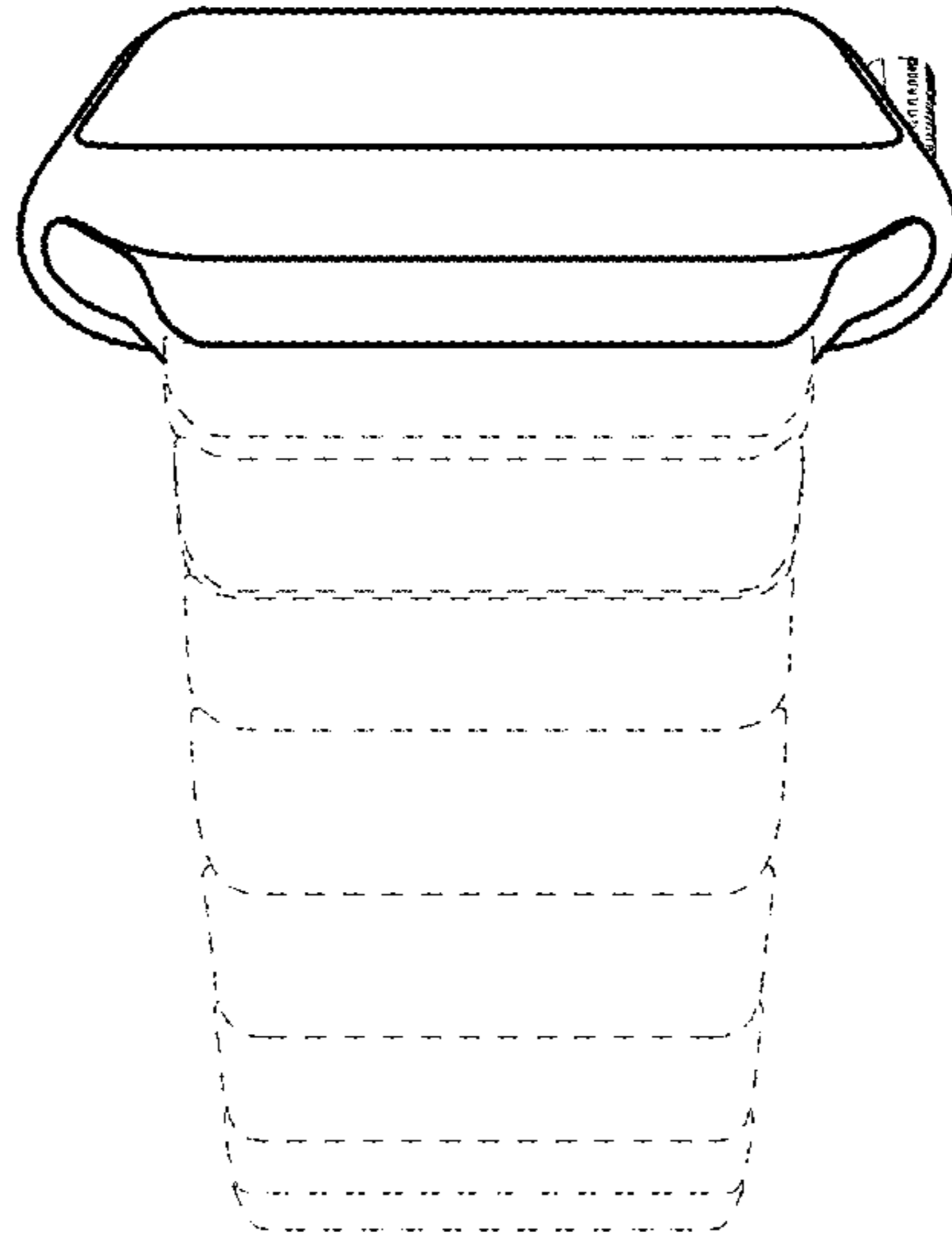


FIG. 3

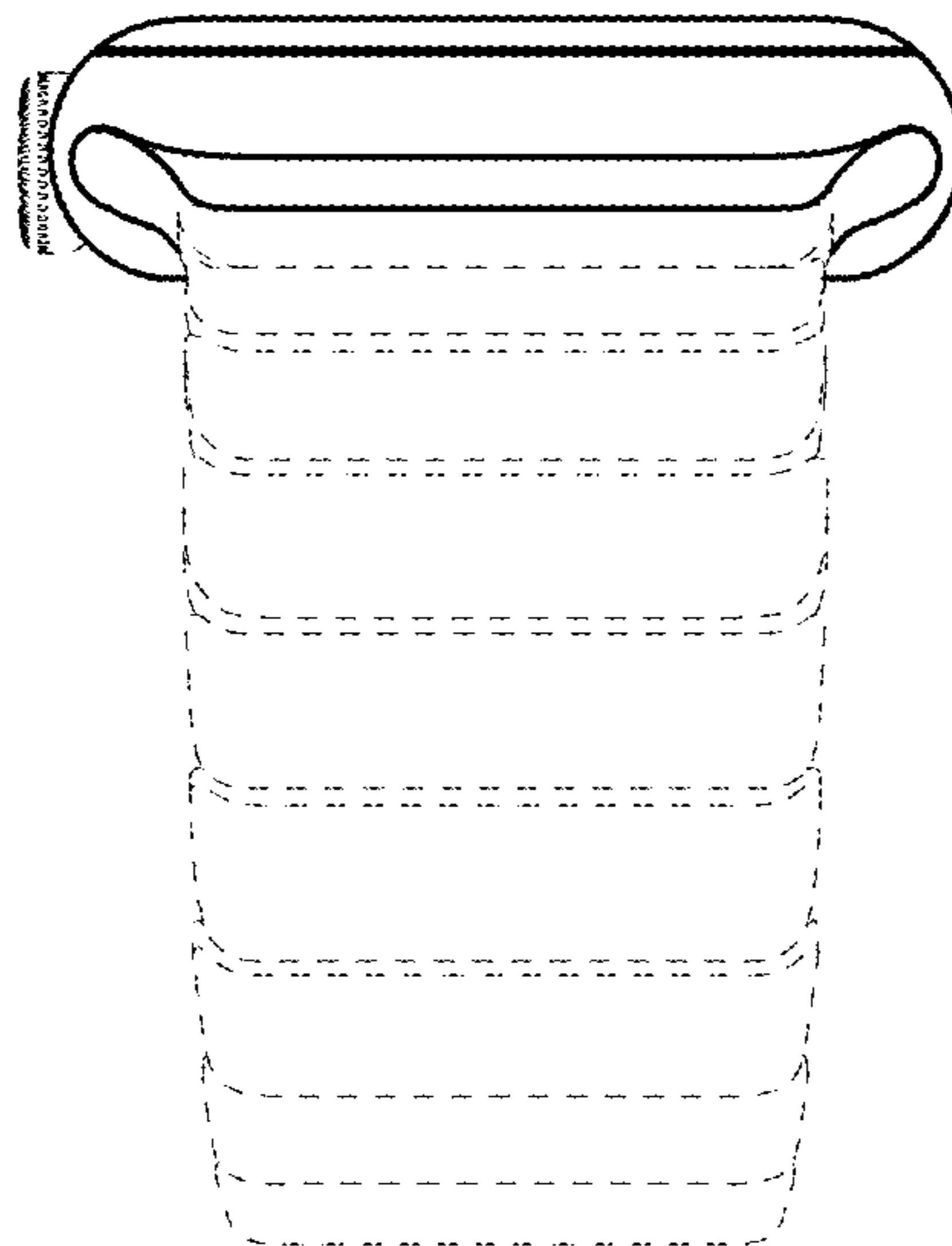


FIG. 4

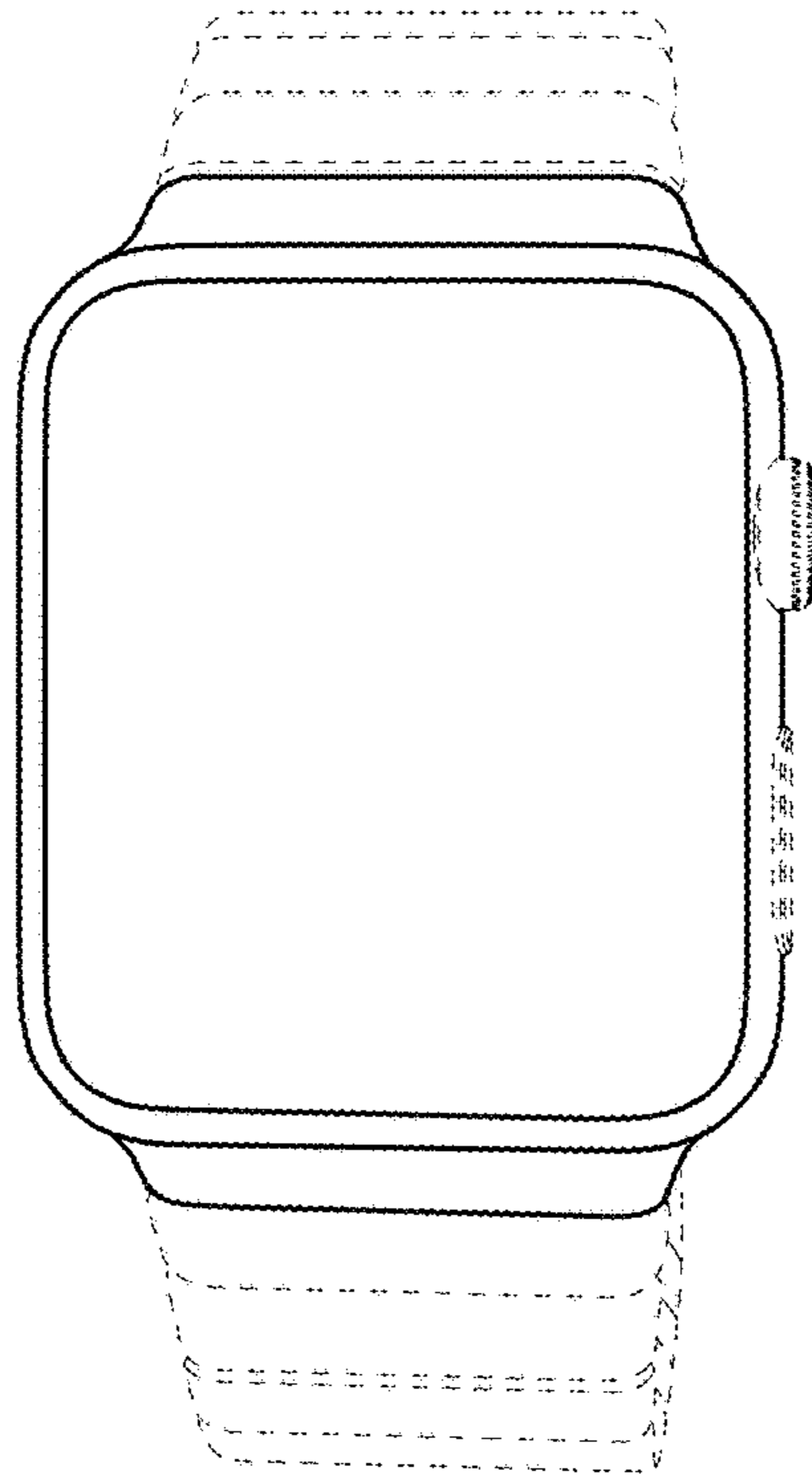


FIG. 5

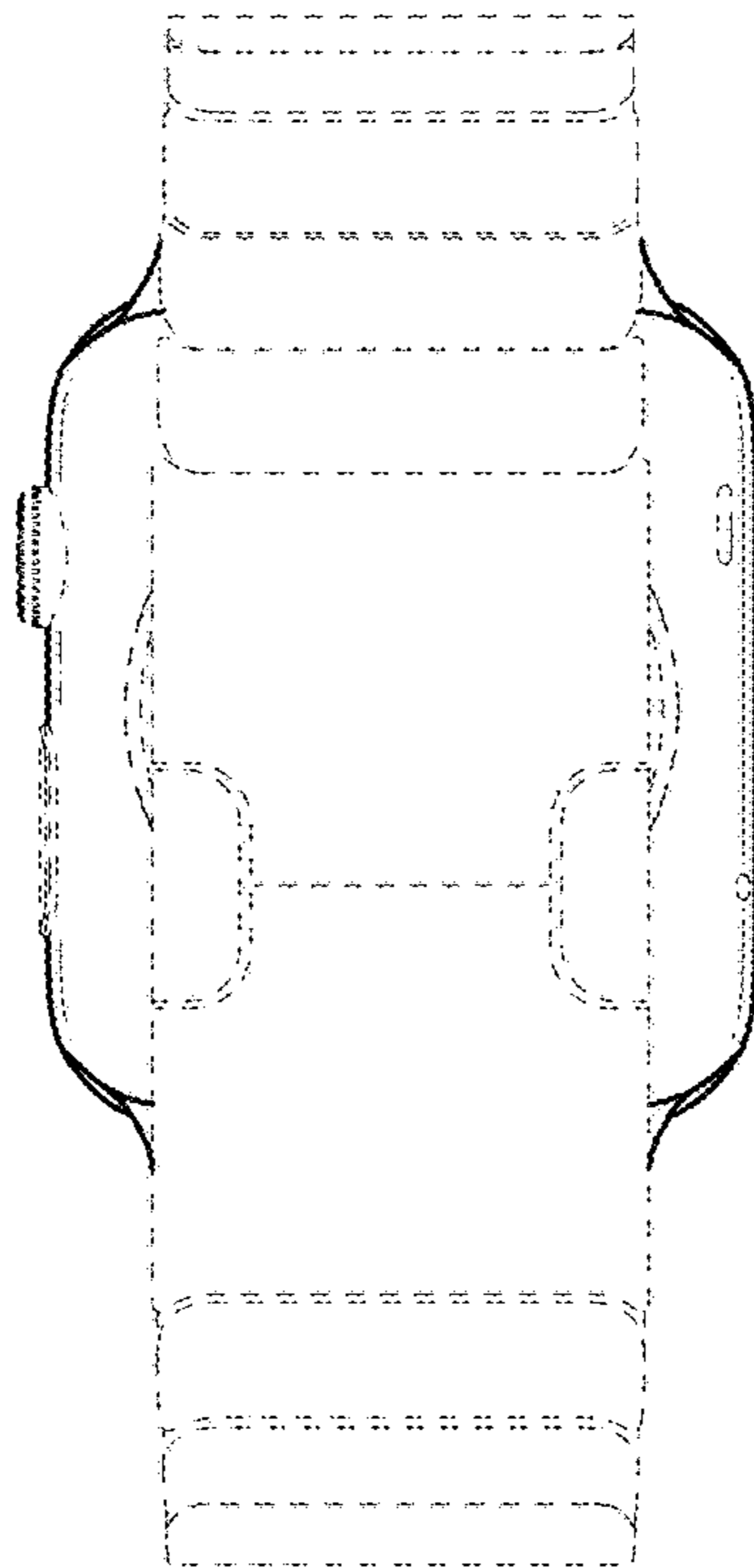


FIG. 6

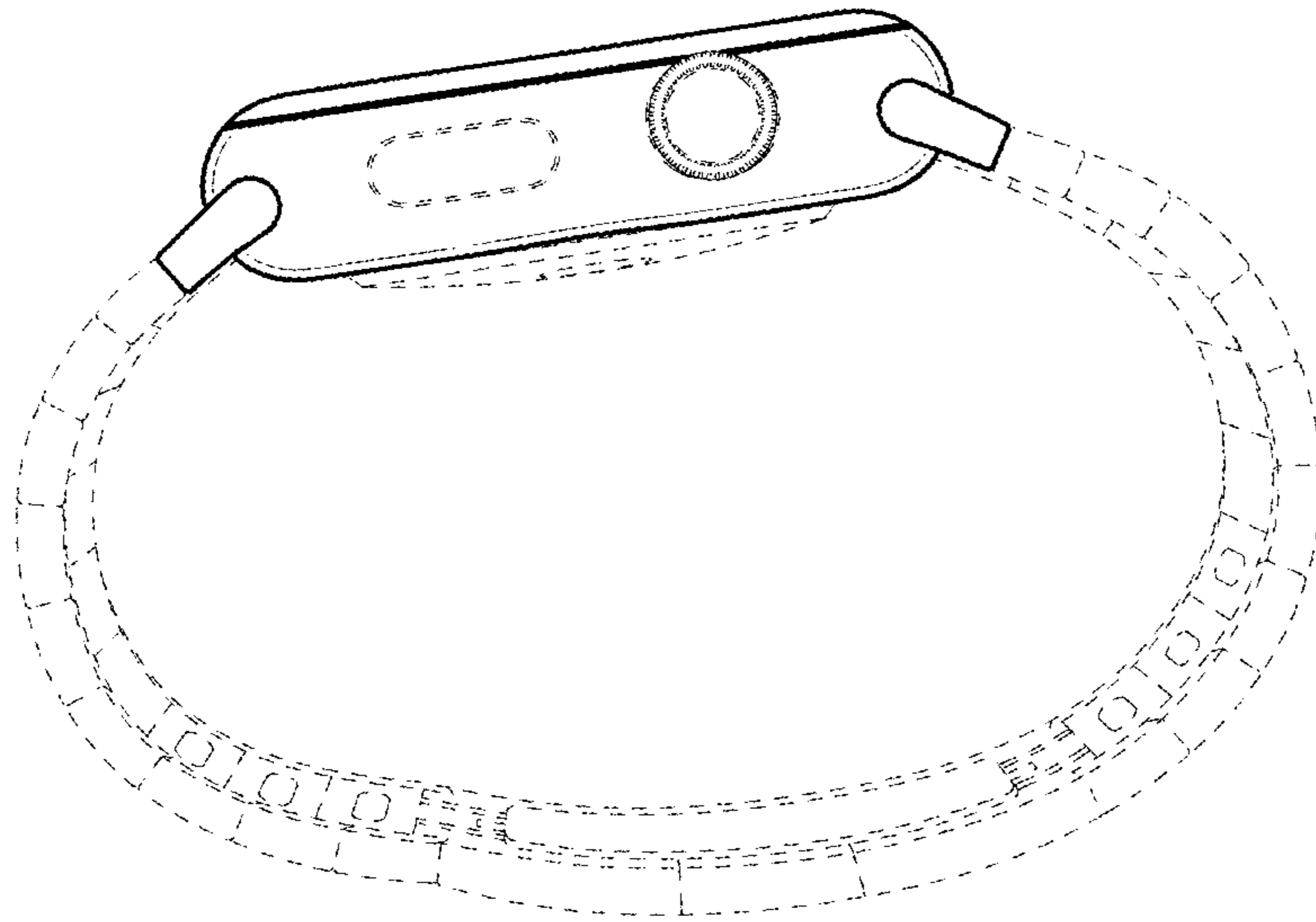


FIG. 7

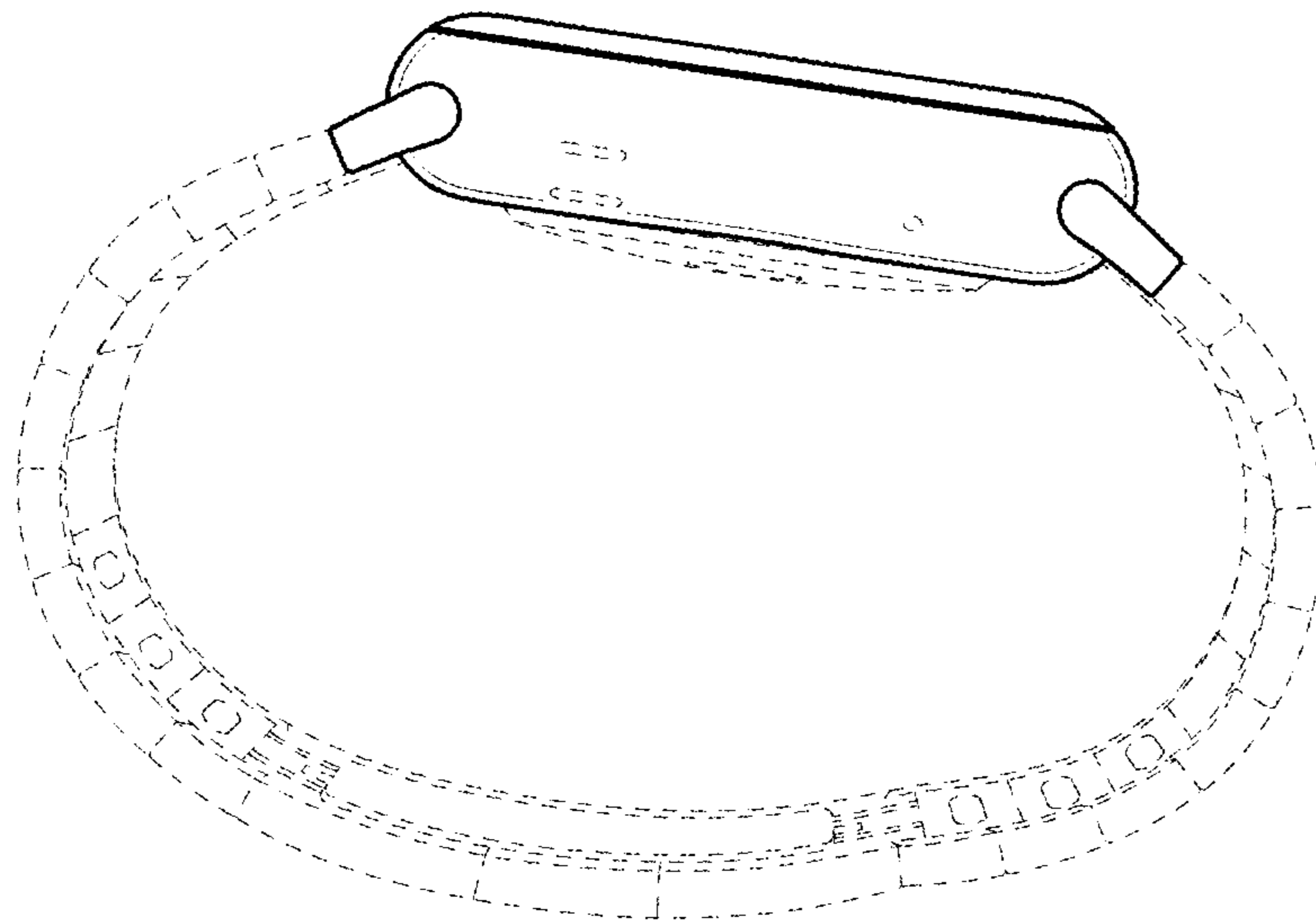


FIG. 8