



US00D805928S

(12) **United States Design Patent** (10) **Patent No.:** **US D805,928 S**
Ben Josef et al. (45) **Date of Patent:** **** Dec. 26, 2017**

(54) **STUD LAYOUT LEVEL**

69/0097; A63B 2243/0004; A63B 2243/0029; A63B 2243/0083

(71) Applicant: **KAPRO INDUSTRIES LTD.**, Bikat Beit Hakerem (IL)

See application file for complete search history.

(72) Inventors: **Rafi Ben Josef**, Kibbutz Kadarim (IL);
Amy Levinson, Upper Galilee (IL);
Yossi Palatshe, Tiberias (IL)

(56) **References Cited**

U.S. PATENT DOCUMENTS

212,823 A	3/1879	Stucky
320,360 A	6/1885	Hutchins
503,065 A	8/1893	Taylor
585,653 A	7/1897	Clowe

(Continued)

(73) Assignee: **KAPRO INDUSTRIES LTD.**, Bikat Beit Hakerem (IL)

FOREIGN PATENT DOCUMENTS

(**) Term: **15 Years**

AU	111171 S	2/1939
CH	189440 A	5/1937

(Continued)

(21) Appl. No.: **29/578,439**

OTHER PUBLICATIONS

(22) Filed: **Sep. 21, 2016**

Kapro Industries LTD Box Section Levels Products Page, Kapro Industries Ltd., available at http://www.kapro.com/SubCat.asp?parent=2&cat_id=6, on Aug. 16, 2010, 1 page.

(Continued)

(51) **LOC (10) Cl.** **10-04**

(52) **U.S. Cl.**

USPC **D10/69**

(58) **Field of Classification Search**

USPC D10/69

CPC ... G01C 9/24; G01C 9/26; G01C 9/28; G01C 9/30; G01C 9/32; G01C 9/34; G01C 9/36; A63B 2220/05; A63B 2220/17; A63B 2220/18; A63B 2220/20; A63B 2220/30; A63B 2220/40; A63B 2220/50; A63B 2220/51; A63B 2220/53; A63B 2220/54; A63B 2220/55; A63B 2220/62; A63B 2220/64; A63B 24/00; A63B 24/0003; A63B 24/0006; A63B 24/0021; A63B 2024/0009; A63B 2024/0012; A63B 2024/0015; A63B 69/00; A63B 69/0002; A63B 69/36; A63B 69/3617; A63B 69/3614; A63B 2069/362; A63B 2069/3602; A63B 69/3632; A63B 69/38; A63B 61/006; A63B 69/0073; A63B

Primary Examiner — Antoine Duval Davis

(74) *Attorney, Agent, or Firm* — Novick, Kim & Lee, PLLC; Harold L. Novick; Hyun Woo Shin

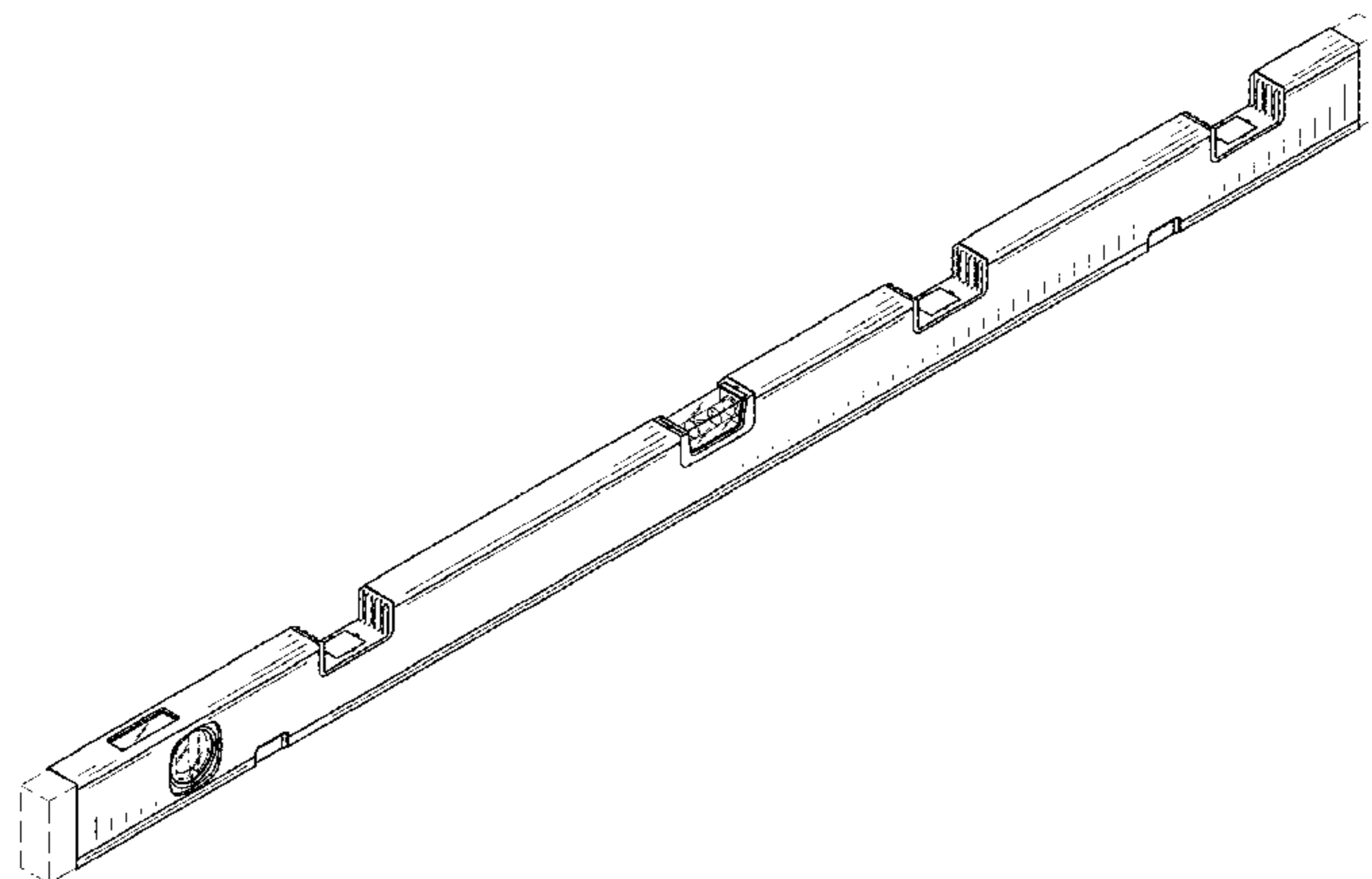
(57) **CLAIM**

We claim the ornamental design for a stud layout level, as shown and described.

DESCRIPTION

FIG. 1 is a perspective view of a stud layout level, showing our new design;
 FIG. 2 is a front elevational view thereof;
 FIG. 3 is a top plan view thereof;
 FIG. 4 is a left side elevational view thereof in a scale of 2:1, and the right side elevational view is identical thereto;
 FIG. 5 is a rear elevational view thereof; and,
 FIG. 6 is a bottom plan view thereof.

(Continued)



Features in the drawings shown in dashed broken lines form no part of the claimed design.

1 Claim, 3 Drawing Sheets

(56)

References Cited

U.S. PATENT DOCUMENTS

692,097	A	1/1902	Wood
771,803	A	10/1904	Bishop
999,573	A	8/1911	Lidholm
1,034,049	A	7/1912	Wild
1,062,964	A	5/1913	Gesbeck et al.
1,777,429	A	10/1930	Charlton
2,133,598	A	10/1938	Torbert, Jr.
2,362,872	A	11/1944	Weagle
2,373,249	A	4/1945	Lurcott, Jr.
2,427,256	A	9/1947	Butscher
2,453,091	A	11/1948	Holloway et al.
2,466,829	A	4/1949	Sprinkel
2,669,029	A	2/1954	Ries
2,727,314	A	12/1955	Dossie et al.
2,750,677	A	6/1956	Wirth
2,791,036	A	5/1957	Gericke
2,857,678	A	10/1958	Armour, Jr.
3,064,535	A	11/1962	Anderson
3,088,216	A	5/1963	Alexander
3,368,287	A	2/1968	Ault
3,603,000	A	9/1971	Ostrager
3,694,090	A	9/1972	Ohyama
3,738,015	A	6/1973	De Jong
3,889,353	A	6/1975	Provi
3,921,306	A	11/1975	Provi
4,103,430	A	8/1978	Schrader
4,124,940	A	11/1978	Vaida
4,192,383	A	3/1980	Kirkland et al.
4,332,046	A	6/1982	Foley et al.
4,534,117	A	8/1985	Haefner et al.
4,647,767	A	3/1987	Jubinski
4,653,193	A	3/1987	Kennedy et al.
4,660,292	A	4/1987	Richardson
4,860,459	A	8/1989	Dengler
5,020,232	A	6/1991	Whiteford
D320,360	S	10/1991	Kennedy
5,075,978	A	12/1991	Crowe
5,101,570	A	4/1992	Shimura
5,103,569	A	4/1992	Leatherwood
5,207,004	A	5/1993	Gruetzmacher
5,272,816	A	12/1993	Fujiwara
D348,619	S	7/1994	Hansen
5,361,503	A	11/1994	Anderson
5,406,714	A	4/1995	Baker et al.
5,414,937	A	5/1995	Denley
D360,371	S	7/1995	O'Hare et al.
D364,104	S	11/1995	Johnson
5,467,532	A	11/1995	Ames
D365,768	S	1/1996	Rodriguez
5,588,217	A	12/1996	Lindner et al.
5,746,004	A	5/1998	Wertheim
5,755,037	A	5/1998	Stevens
D459,251	S	6/2002	Scheyer
6,418,634	B1	7/2002	Szumer
6,449,859	B1	9/2002	Zugel et al.
D468,221	S	1/2003	Greaves et al.
D479,139	S	9/2003	Kallabis et al.
6,681,494	B1	1/2004	Bowden
D486,084	S	2/2004	Kun, Sr. et al.
6,748,666	B2	6/2004	Zugel et al.

D497,316	S	10/2004	Kun, Sr. et al.
D498,152	S	11/2004	Hickey
D503,635	S	4/2005	Kallabis
D503,636	S	4/2005	Kim
6,957,494	B1	10/2005	Foran
D513,391	S	1/2006	Kim
D518,745	S	4/2006	Kim
D518,746	S	4/2006	Kim
D521,399	S	5/2006	Johnson et al.
D526,224	S	8/2006	Kim
7,228,637	B2	6/2007	Kim
D546,214	S	7/2007	Schwartz et al.
7,263,778	B2	9/2007	Lang et al.
D555,523	S	11/2007	Nickel et al.
D560,521	S	1/2008	Katz
D563,808	S	3/2008	Schwartz et al.
D573,908	S	7/2008	Levinson
7,472,487	B2	1/2009	Tran et al.
D596,056	S	7/2009	Scheyer
D597,872	S	8/2009	Gofer
D598,308	S	8/2009	Gofer
D598,309	S	8/2009	Gofer
D607,351	S	1/2010	Gofer
7,779,545	B2	8/2010	Kallabis
D625,631	S	10/2010	Ben-Josef et al.
8,220,171	B2	7/2012	Ben-Josef et al.
D668,163	S	10/2012	Levinson
D686,926	S	7/2013	Moe
D762,499	S *	8/2016	Jackson D10/69
D786,105	S *	5/2017	Heitstuman D10/69
2005/0039341	A1	2/2005	Hickey
2005/0229413	A1	10/2005	Foran
2006/0037204	A1	2/2006	Gruetzmacher
2007/0246116	A1	10/2007	Peak et al.
2009/0139102	A1	6/2009	Kallabis
2011/0271537	A1	11/2011	Scheyer et al.

FOREIGN PATENT DOCUMENTS

CN	2938031	Y	8/2007
DE	306455	C	8/1922
DE	3125510	A1	1/1983
DE	8236725	U1	5/1983
EP	0239030	A1	9/1987
GB	212823	A	3/1924
GB	503065	A	3/1939
GB	836728	A	6/1960
GB	936517	A	9/1963
GB	2080529	A	2/1982
GB	2162947	A	2/1986
GB	2222677	A	3/1990
GB	2223586	A	4/1990
JP	2-93710	U1	7/1990
JP	3-16018	U1	2/1991
JP	5-57162	U	7/1993
JP	3006750	U	1/1995
JP	8-101037	A	4/1996
PL	39626	B1	6/1956
WO	1996/003258	A1	2/1996
WO	2004/044524	A2	5/2004
WO	2006/023701	A1	3/2006
WO	2007/072489	A2	6/2007
WO	2008/107868	A1	9/2008

OTHER PUBLICATIONS

Kapro Industries LTD I-Beam Levels Products Page, Kapro Industries Ltd., available at http://www.kapro.com/SubCat.asp?parent=2&cat_id=8, on Aug. 16, 2010, 1 page.

* cited by examiner

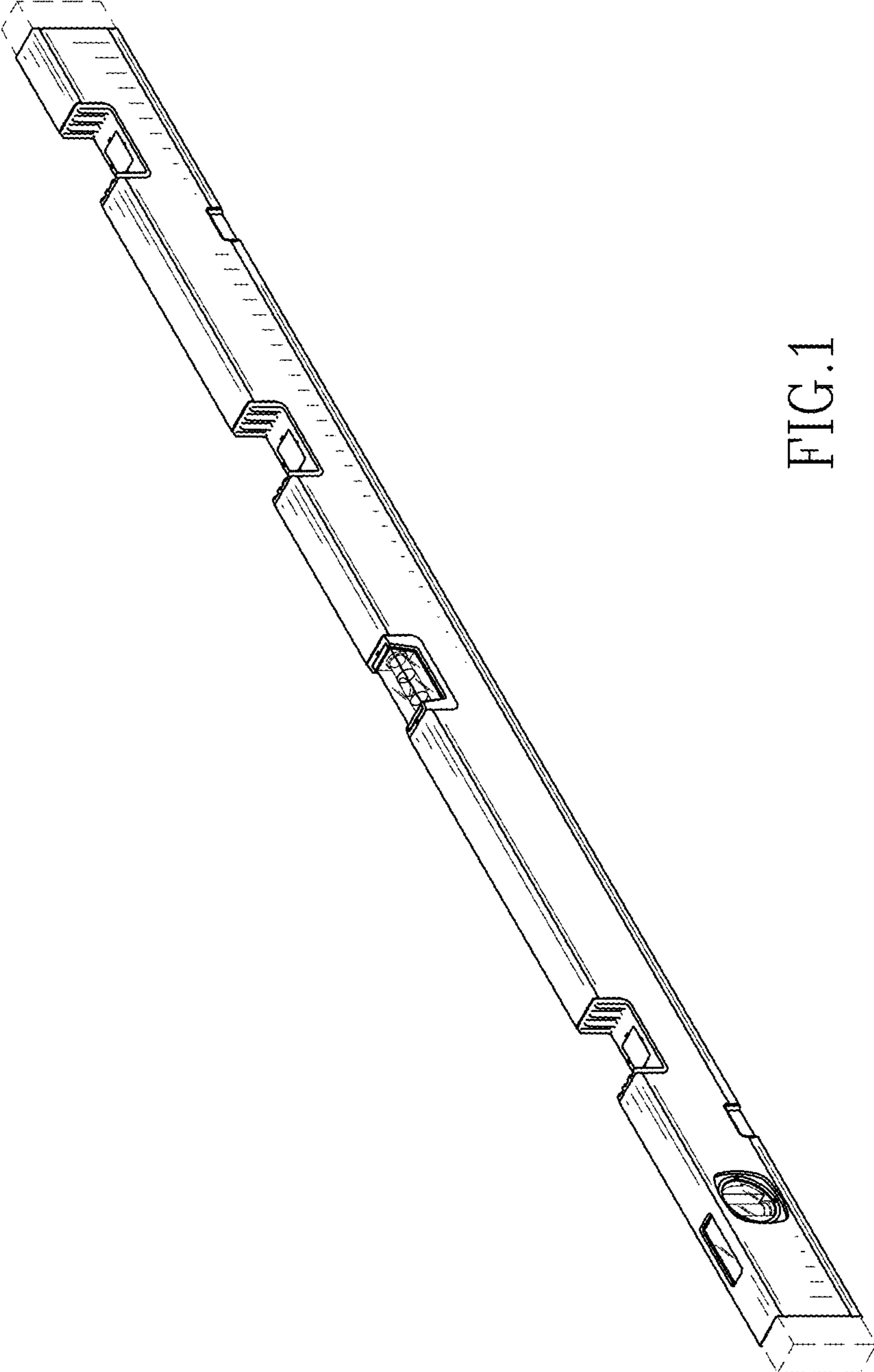


FIG.1

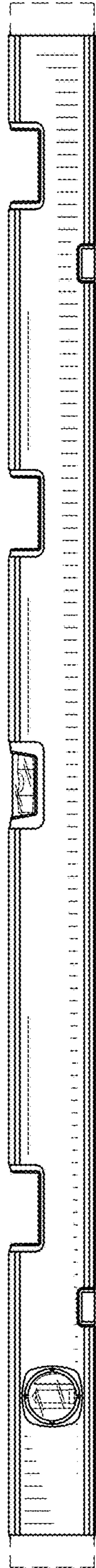


FIG. 2



FIG. 3



FIG. 4

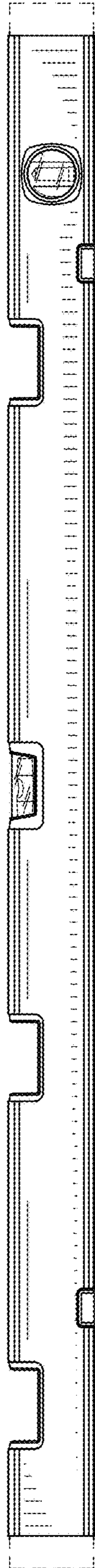


FIG. 5

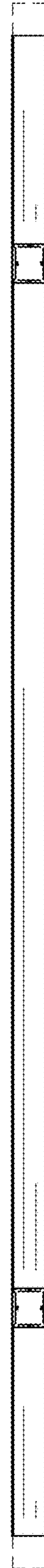


FIG. 6