



US00D805926S

(12) **United States Design Patent**  
**Im et al.**

(10) **Patent No.:** **US D805,926 S**

(45) **Date of Patent:** **\*\* Dec. 26, 2017**

(54) **MEDICAL THERMOMETER**

FOREIGN PATENT DOCUMENTS

(71) Applicant: **SAMSUNG ELECTRONICS CO., LTD.**, Suwon-si (KR)

KR 300453547 S 6/2007

*Primary Examiner* — Karen Kearney

(72) Inventors: **Seungbin Im**, Yongin-si (KR);  
**Sungchan Ko**, Suwon-si (KR)

*Assistant Examiner* — Mark Cavanna

(74) *Attorney, Agent, or Firm* — Cantor Colburn LLP

(73) Assignee: **SAMSUNG ELECTRONICS CO., LTD.**, Gyeonggi-Do (KR)

(57) **CLAIM**

The ornamental design for a medical thermometer, as shown and described.

(\*\*) Term: **15 Years**

(21) Appl. No.: **29/566,969**

**DESCRIPTION**

(22) Filed: **Jun. 3, 2016**

(30) **Foreign Application Priority Data**

Dec. 7, 2015 (KR) ..... 30-2015-0062268

(51) **LOC (10) Cl.** ..... **10-04**

(52) **U.S. Cl.**  
USPC ..... **D10/57; D24/186**

(58) **Field of Classification Search**  
USPC ..... D24/134, 164, 165, 167, 169, 186, 187,  
D24/200; D10/57, 108, 116.1, 106.1;  
D21/529, 324; 374/208; 600/301, 316,  
600/322, 345, 372, 398, 483–485, 500,  
600/506, 529, 549, 554–555, 586, 588;  
D13/164, 171, 162, 174, 168, 108;  
D28/82; D26/89, 104; D14/460, 218,  
D14/426, 223, 400; D9/500  
CPC ..... G01K 1/14; G01K 13/002; G01K 13/004;  
A61B 5/0002; A61B 5/14532; A61B  
5/1455; A61B 5/0408; A61B 3/16; A61B

(Continued)

(56) **References Cited**

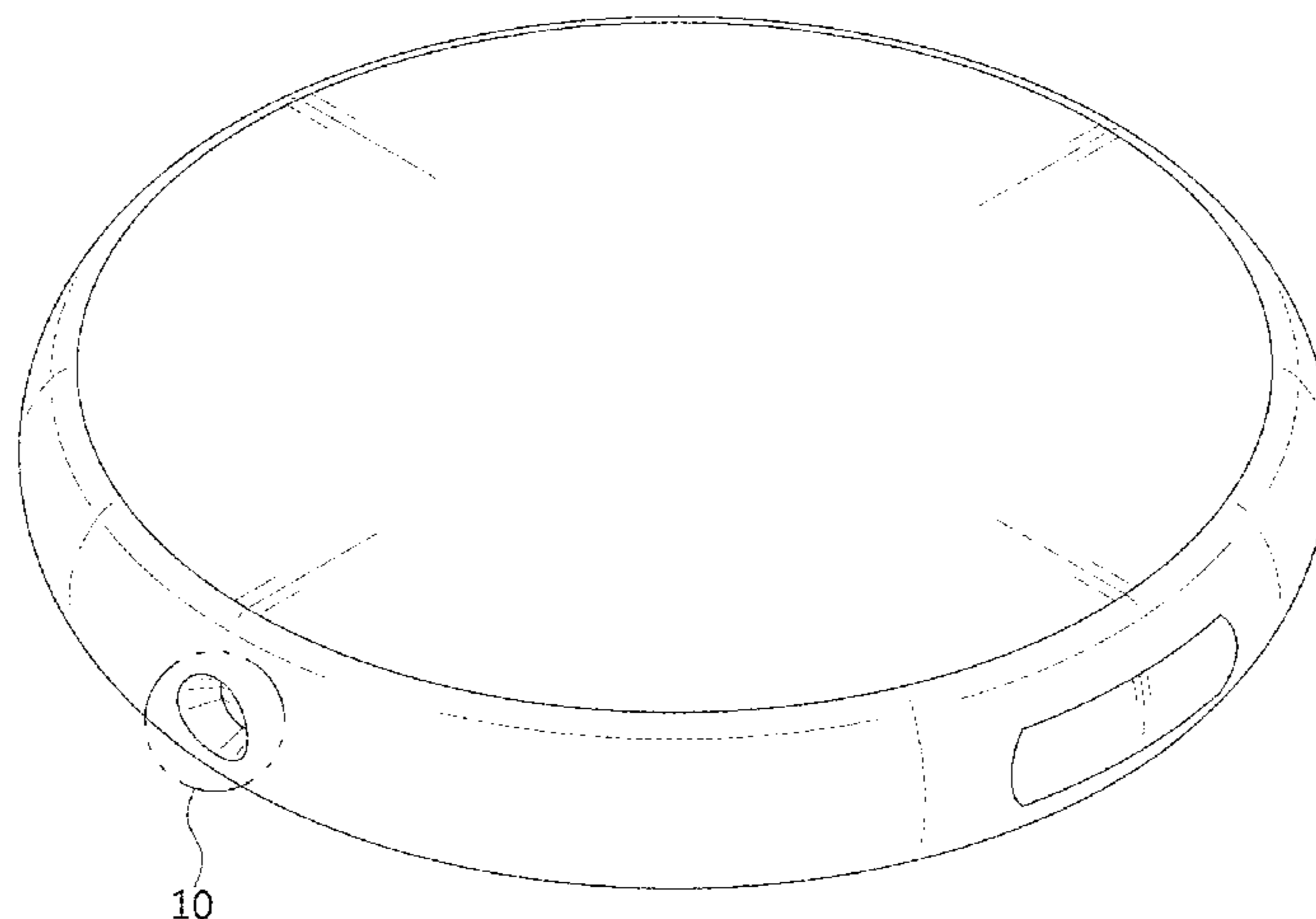
U.S. PATENT DOCUMENTS

D328,617 S \* 8/1992 Emmel ..... D10/116.1

D346,125 S \* 4/1994 Cote ..... D10/104.2

(Continued)

**1 Claim, 8 Drawing Sheets**



10

(58) **Field of Classification Search**

CPC ..... 5/0205; A61B 5/021; A61B 5/0535; A61B  
7/003; A61B 5/01; A61B 5/05; A61B  
5/483; A61B 5/4356; A61B 5/015; G03B  
17/14

See application file for complete search history.

(56) **References Cited**

U.S. PATENT DOCUMENTS

D347,584 S \* 6/1994 Vogelpohl ..... D10/49  
D377,983 S \* 2/1997 Sabri ..... D24/167  
D391,943 S \* 3/1998 Han ..... D14/356  
D391,944 S \* 3/1998 Han ..... D14/356  
D413,673 S \* 9/1999 Jacobs ..... D24/165  
D423,956 S \* 5/2000 Chen ..... D10/57  
D429,336 S \* 8/2000 Francis ..... D24/167  
D452,012 S \* 12/2001 Phillips ..... D24/186  
D490,327 S \* 5/2004 Lussier ..... D10/57  
D492,999 S \* 7/2004 Lax ..... D24/167  
D498,684 S \* 11/2004 Friedman ..... D10/50  
D498,685 S \* 11/2004 Friedman ..... D10/50  
D502,414 S \* 3/2005 Shibata ..... D10/57  
D507,078 S \* 7/2005 Greenfield ..... D28/82  
D526,916 S \* 8/2006 Oas ..... D10/70  
D537,004 S \* 2/2007 Eden ..... D10/70  
D584,970 S \* 1/2009 Eide ..... D10/57  
D586,671 S \* 2/2009 Eide ..... D10/57  
D589,823 S \* 4/2009 Lhuillery ..... D10/57  
D597,211 S \* 7/2009 Ewing ..... D24/187  
D601,564 S \* 10/2009 Maeno ..... D14/400  
D602,796 S \* 10/2009 Lhuillery ..... D10/97  
D603,698 S \* 11/2009 VerWeyst ..... D9/500  
D606,203 S \* 12/2009 Husheer ..... D24/186

D607,347 S 1/2010 Goh et al.  
D608,451 S \* 1/2010 Hanoun ..... D24/186  
D613,868 S \* 4/2010 Lhuillery ..... D24/187  
D616,550 S \* 5/2010 Lhuillery ..... D24/169  
D622,844 S \* 8/2010 Alexander ..... D24/134  
D627,306 S \* 11/2010 Charleux ..... D13/168  
D630,112 S \* 1/2011 Maruyama ..... D10/70  
D642,690 S \* 8/2011 Altmann ..... D24/186  
D645,818 S \* 9/2011 Guccione ..... D13/108  
D660,732 S \* 5/2012 Bould ..... D10/49  
D666,929 S \* 9/2012 Tyler ..... D10/57  
D683,636 S \* 6/2013 Levanen ..... D10/70  
D687,328 S \* 8/2013 Clymer ..... D10/104.1  
D697,800 S \* 1/2014 Villarreal ..... D28/82  
D700,075 S \* 2/2014 Bould ..... D10/49  
D700,080 S \* 2/2014 Broadbent ..... D10/65  
D701,964 S \* 4/2014 Yoneta ..... D24/187  
D714,787 S \* 10/2014 Matsuoka ..... D14/426  
D714,942 S \* 10/2014 Hwang ..... D24/167  
D715,446 S \* 10/2014 Lee ..... D24/167  
D718,868 S \* 12/2014 Schroderus ..... D24/167  
D721,853 S \* 1/2015 Koo ..... D28/82  
D726,924 S \* 4/2015 Tseng ..... D24/186  
D731,334 S \* 6/2015 Fiedler ..... D10/70  
D747,984 S \* 1/2016 Zhao ..... D10/52  
D750,980 S \* 3/2016 Takach ..... D10/50  
D755,792 S \* 5/2016 Lessel ..... D14/435  
D757,275 S \* 5/2016 Lee ..... D24/187  
D758,898 S \* 6/2016 Sebban ..... D10/57  
D773,437 S \* 12/2016 Lee ..... D14/223  
D776,285 S \* 1/2017 Dinger ..... D24/186  
D776,820 S \* 1/2017 Rouillac ..... D24/167  
D783,422 S \* 4/2017 Kashimoto ..... D10/50  
D783,838 S \* 4/2017 Zhao ..... D24/186

\* cited by examiner

FIG. 1

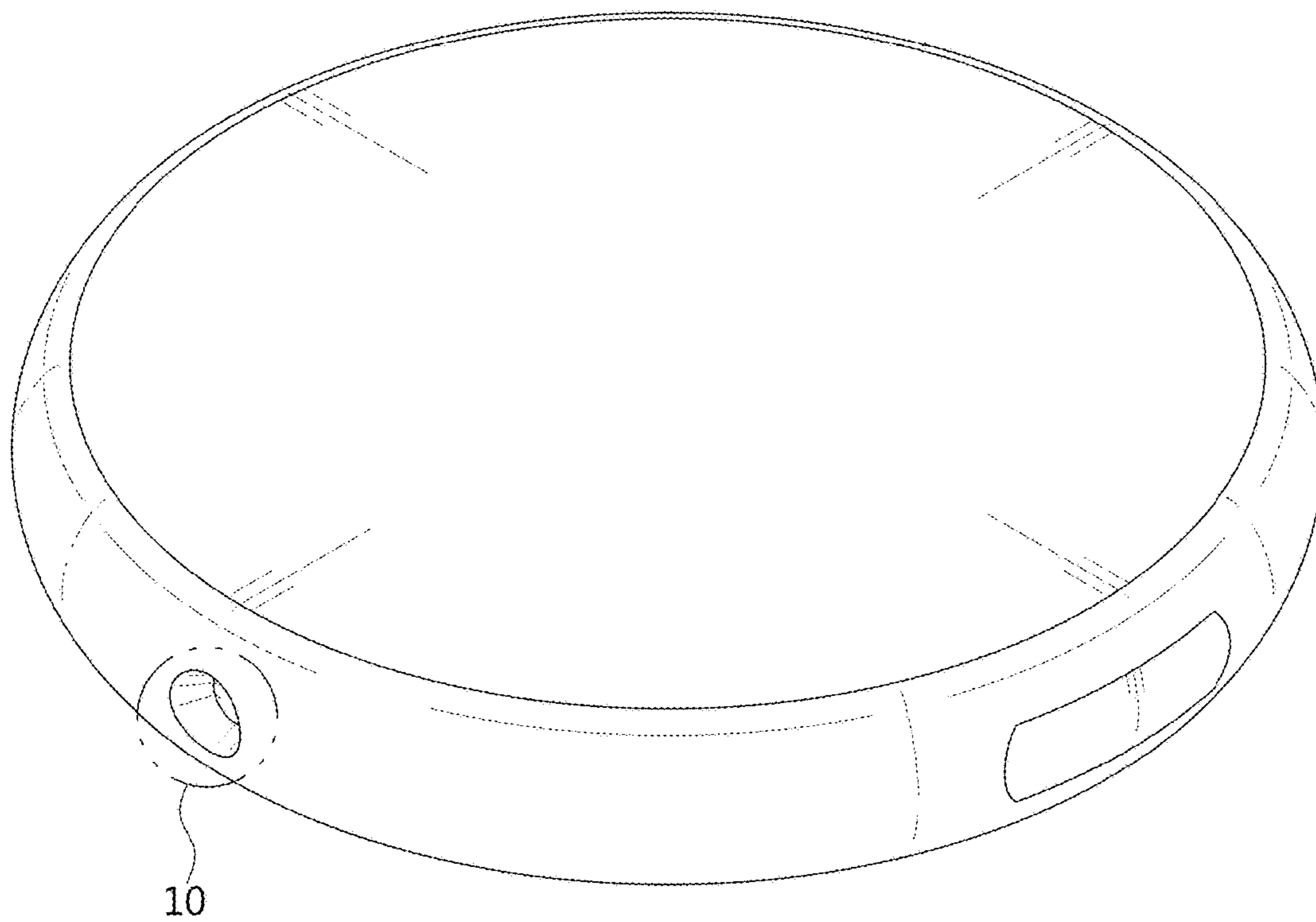


FIG. 2

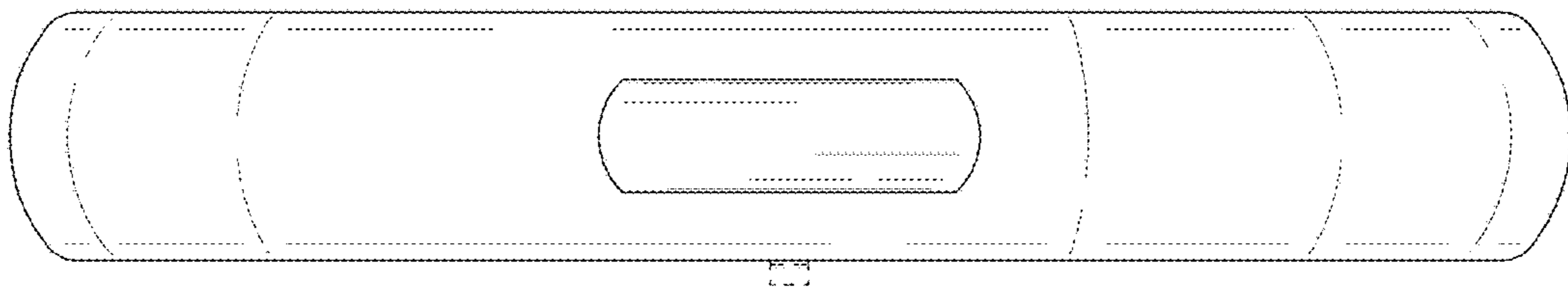


FIG. 3

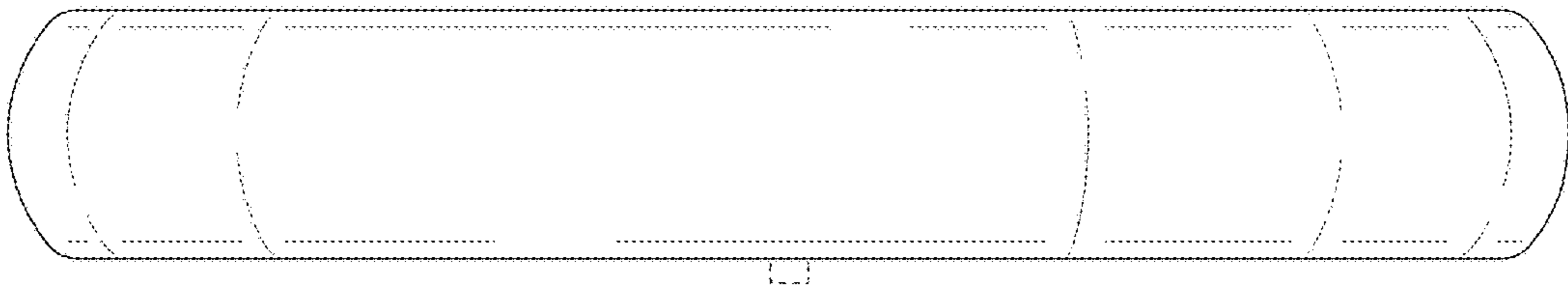


FIG. 4

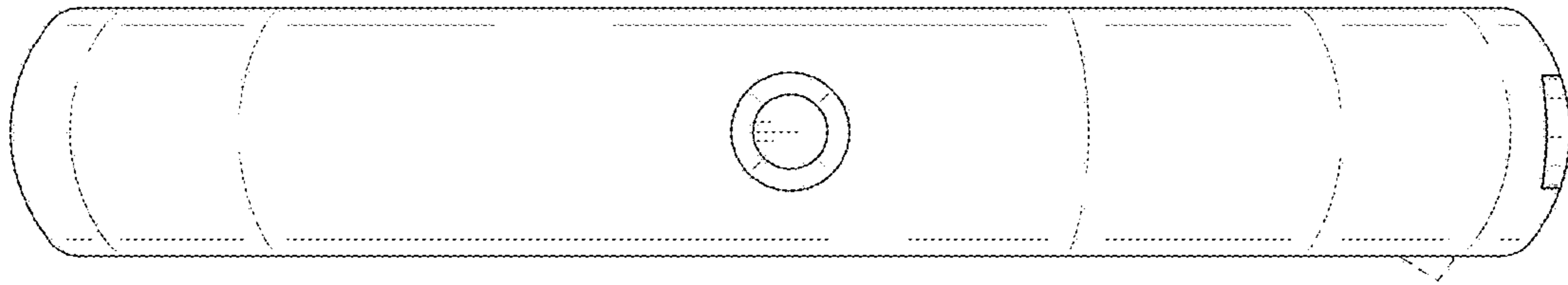


FIG. 5

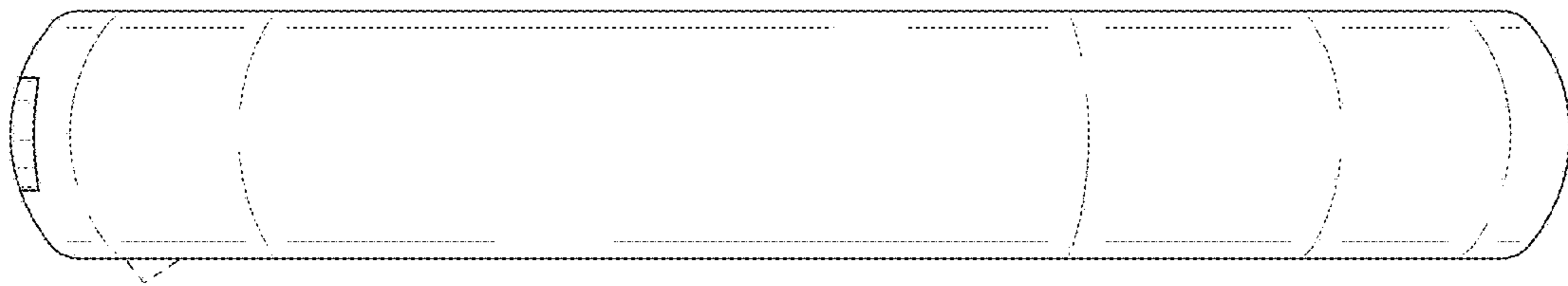


FIG. 6

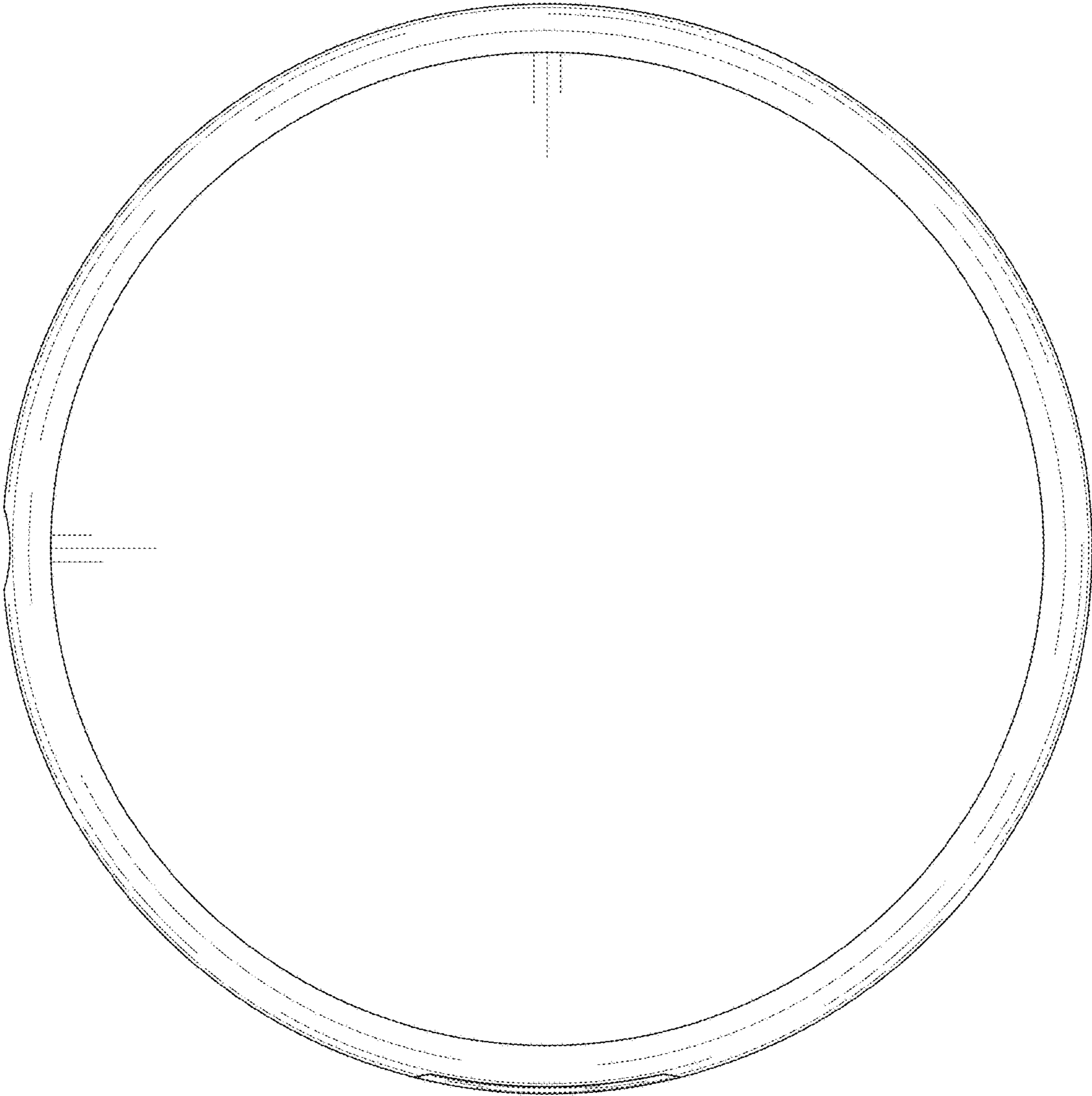


FIG. 7

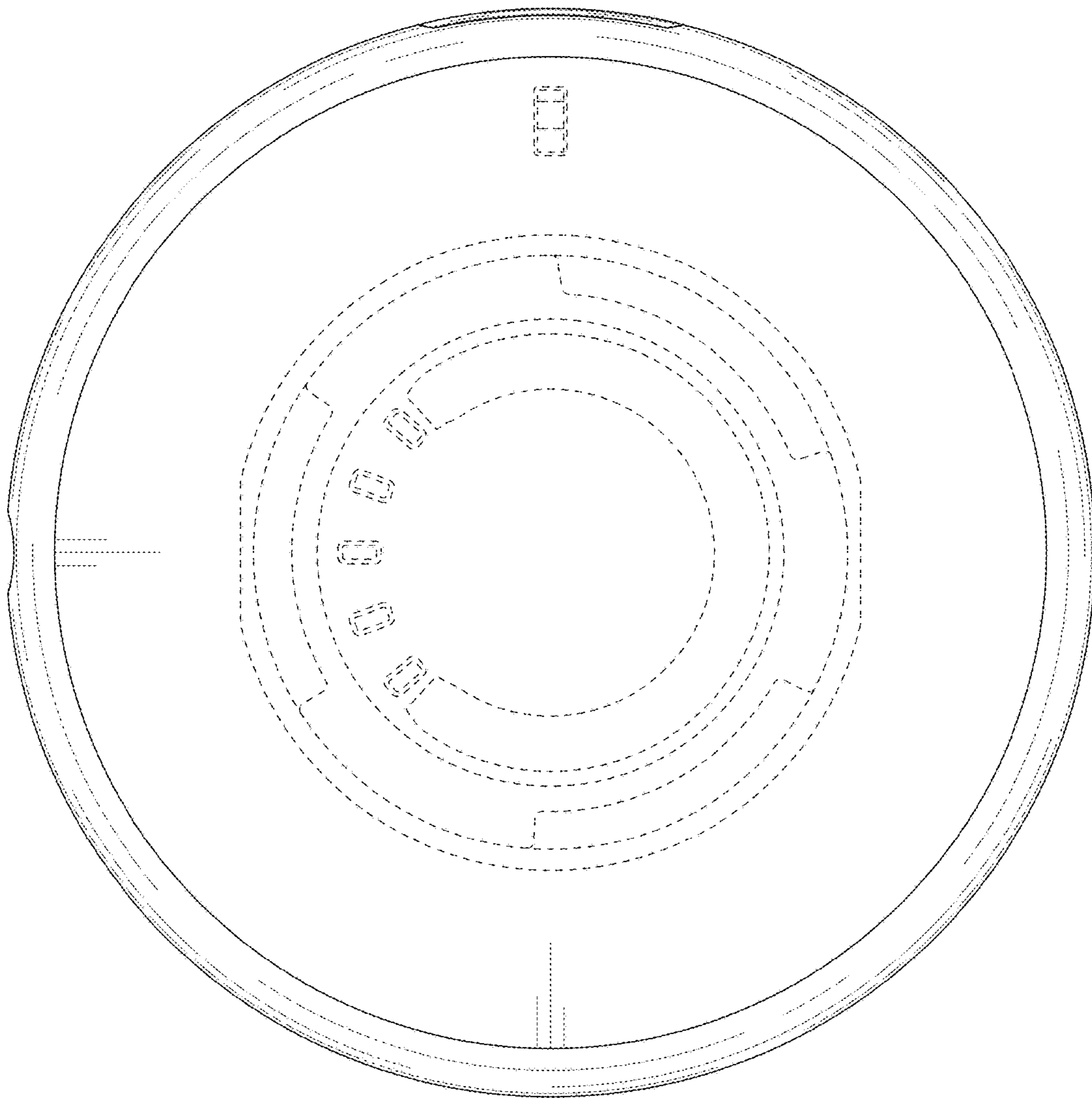


FIG. 8

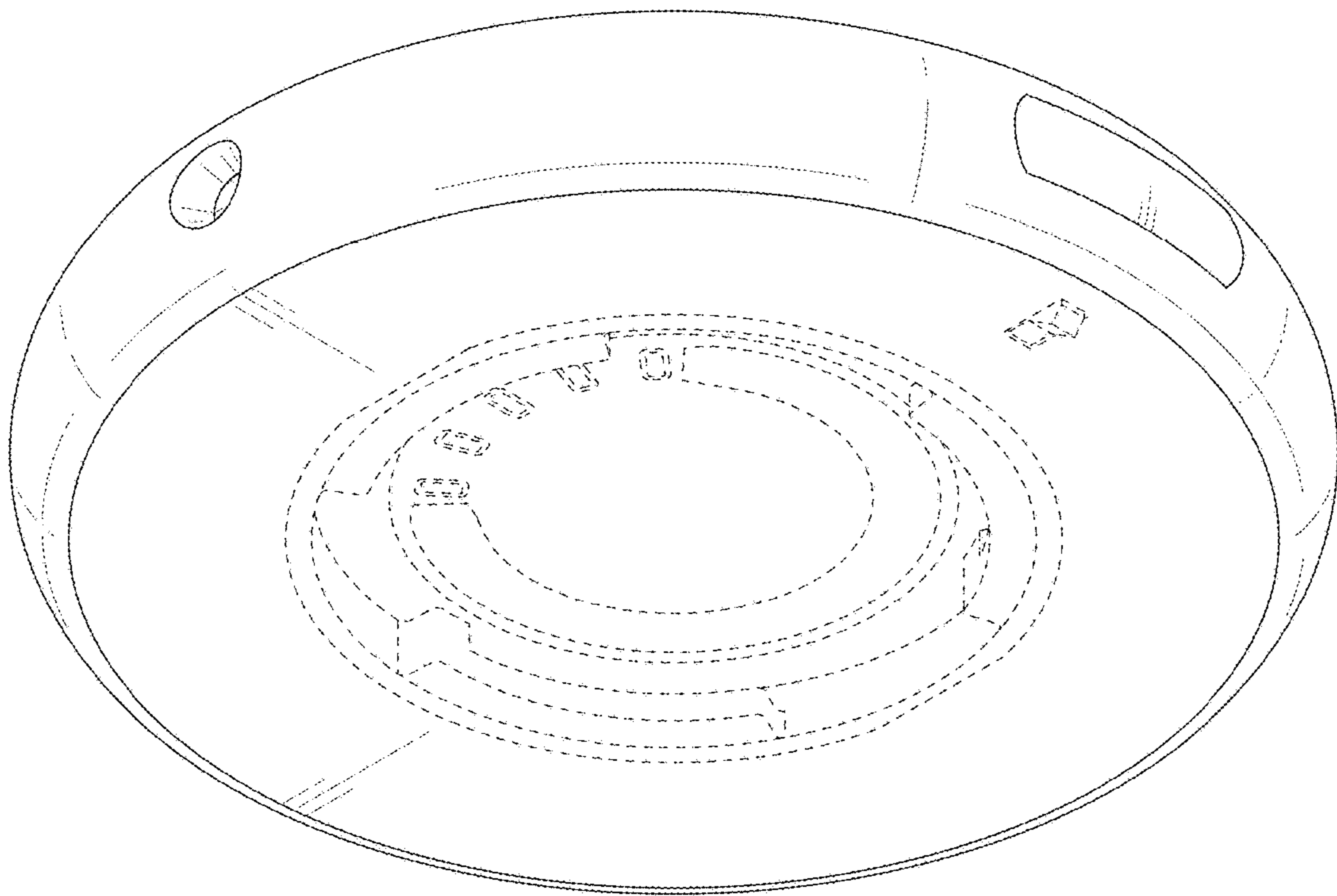




FIG. 9

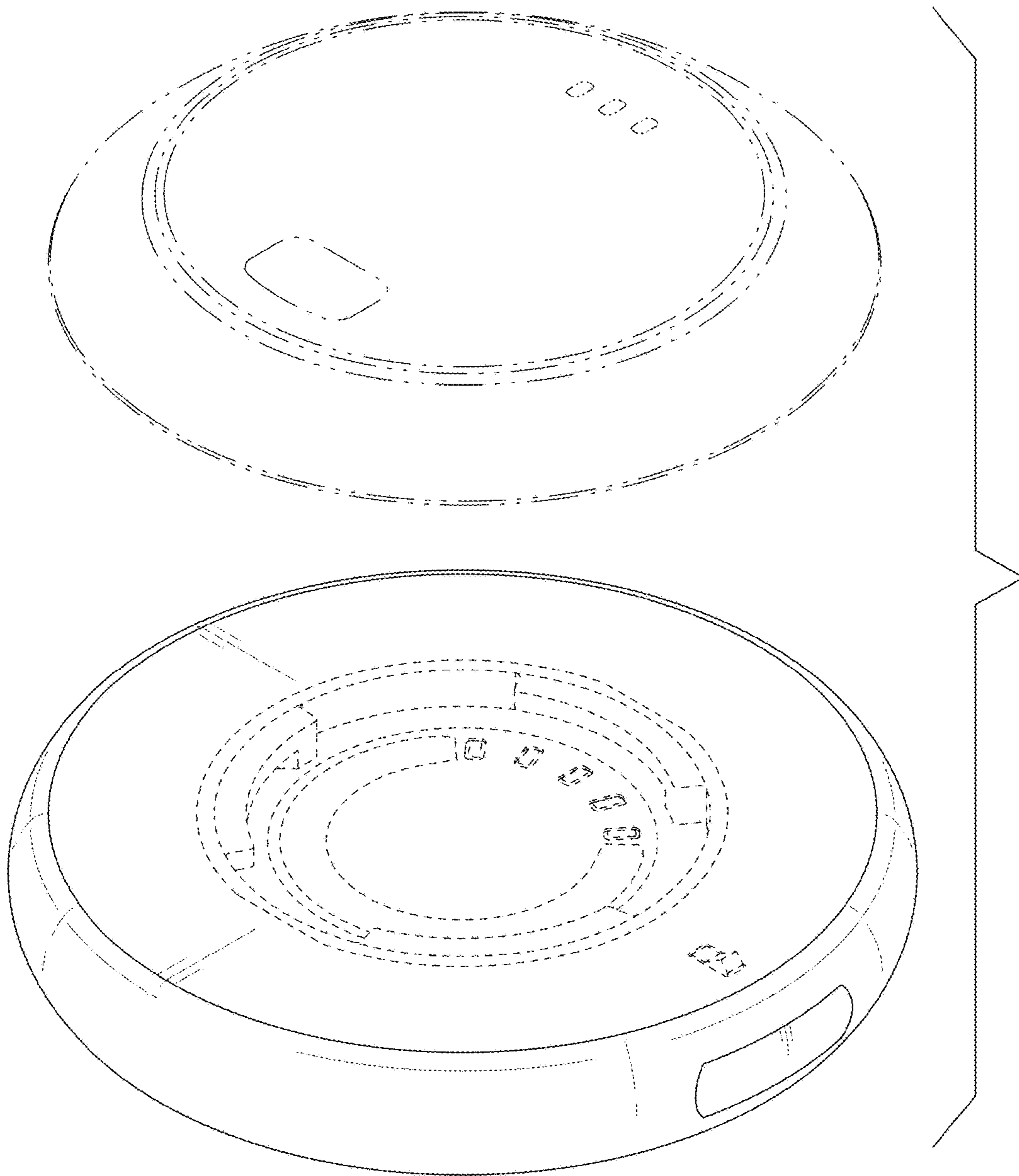


FIG. 10

