



US00D805924S

(12) **United States Design Patent** (10) **Patent No.:** **US D805,924 S**
Wimberly et al. (45) **Date of Patent:** **** Dec. 26, 2017**

(54) **ENVIRONMENTAL MONITORING DEVICE**

(56) **References Cited**

(71) Applicant: **WeatherFlow, Inc.**, Scotts Valley, CA (US)

U.S. PATENT DOCUMENTS

(72) Inventors: **Graham Neal Wimberly**, Charleston, SC (US); **Jenna Marie Hampton**, Ponce Inlet, FL (US); **Keith Alden Koenig**, Santa Cruz, CA (US); **Daniel Carson Lyons**, Soquel, CA (US); **David St. John**, New Smyrna Beach, FL (US)

D734,679 S * 7/2015 Liu D10/53
D756,249 S * 5/2016 Xiao D10/52

* cited by examiner

Primary Examiner — Antoine Duval Davis
(74) *Attorney, Agent, or Firm* — Van Pelt, Yi & James LLP

(73) Assignee: **WeatherFlow, Inc.**, Scotts Valley, CA (US)

(57) **CLAIM**

We claim the ornamental design for an environmental monitoring device, as shown and described.

(**) Term: **15 Years**

(21) Appl. No.: **29/572,558**

DESCRIPTION

(22) Filed: **Jul. 28, 2016**

(51) **LOC (10) Cl.** **10-04**

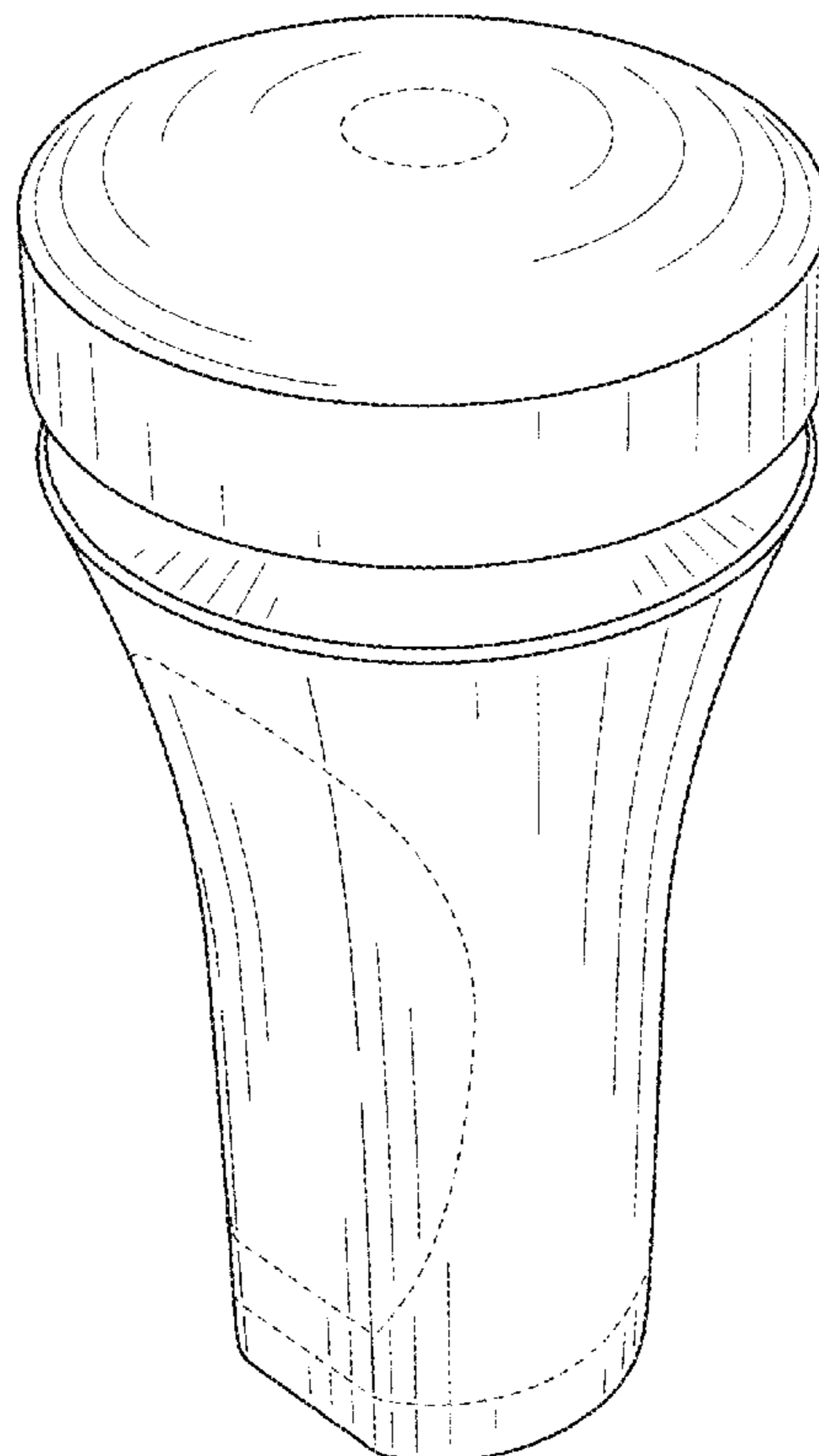
(52) **U.S. Cl.**
USPC **D10/53**

(58) **Field of Classification Search**
USPC D10/53
CPC G01S 5/0009; G01S 5/0018; G01S 5/0036;
G01W 1/02; G01W 1/04; G01W 1/06;
G01W 1/10; G01W 1/11; G01W 1/12;
G01W 1/14; G01W 1/16; G01W 1/17;
G01W 1/18; G01W 2001/006; G01W
2201/00; G01W 2203/00

FIG. 1 is a perspective view of an environmental monitoring device showing our new design.
FIG. 2 is front view thereof.
FIG. 3 is a back view thereof.
FIG. 4 is a first side view thereof.
FIG. 5 is a second side view thereof.
FIG. 6 is a top view thereof.
FIG. 7 is a bottom view thereof; and,
FIG. 8 is another side view thereof.
The broken lines in all views are for illustrative purposes only and form no part of the claimed design.

See application file for complete search history.

1 Claim, 5 Drawing Sheets



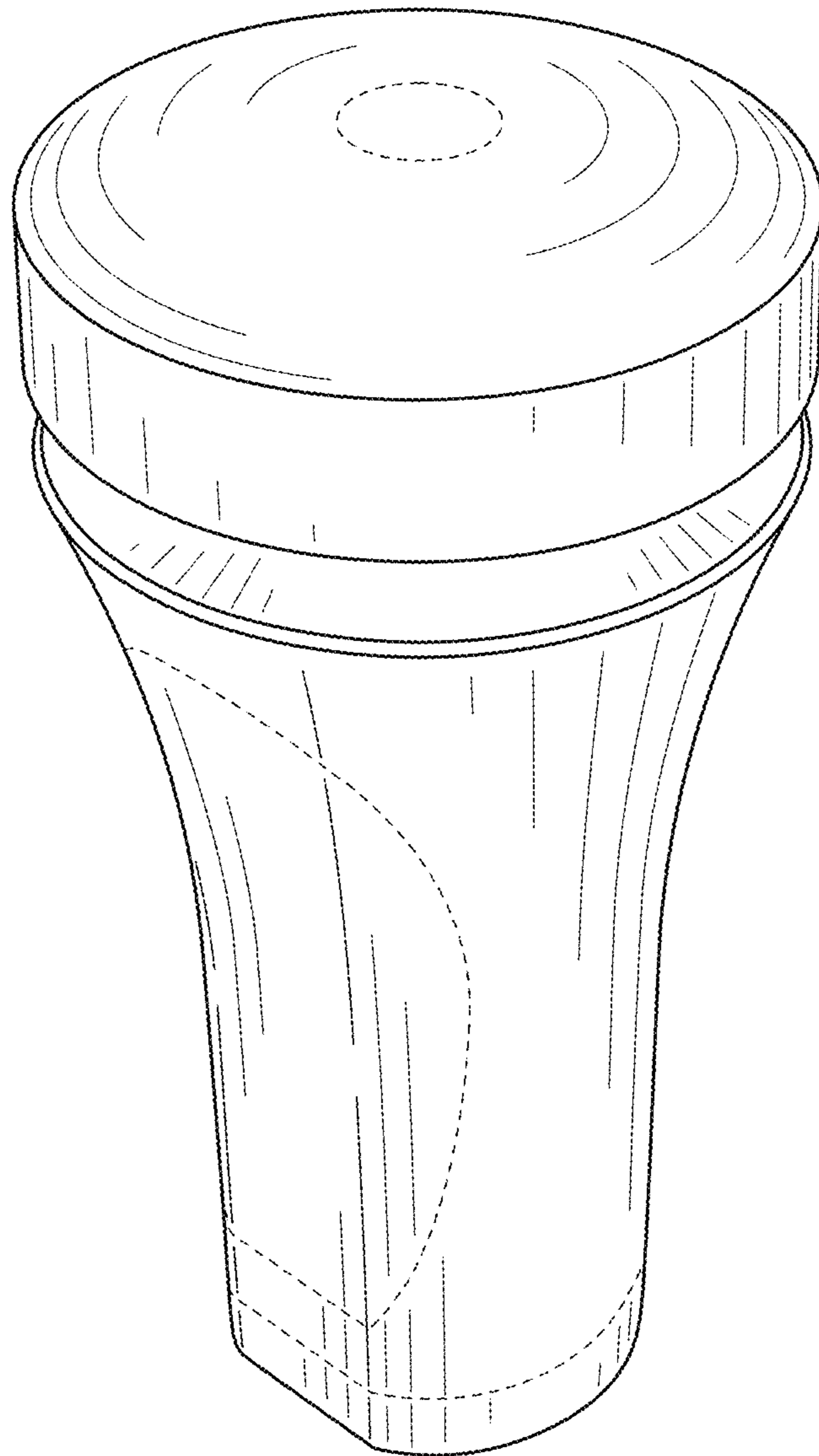


FIG. 1

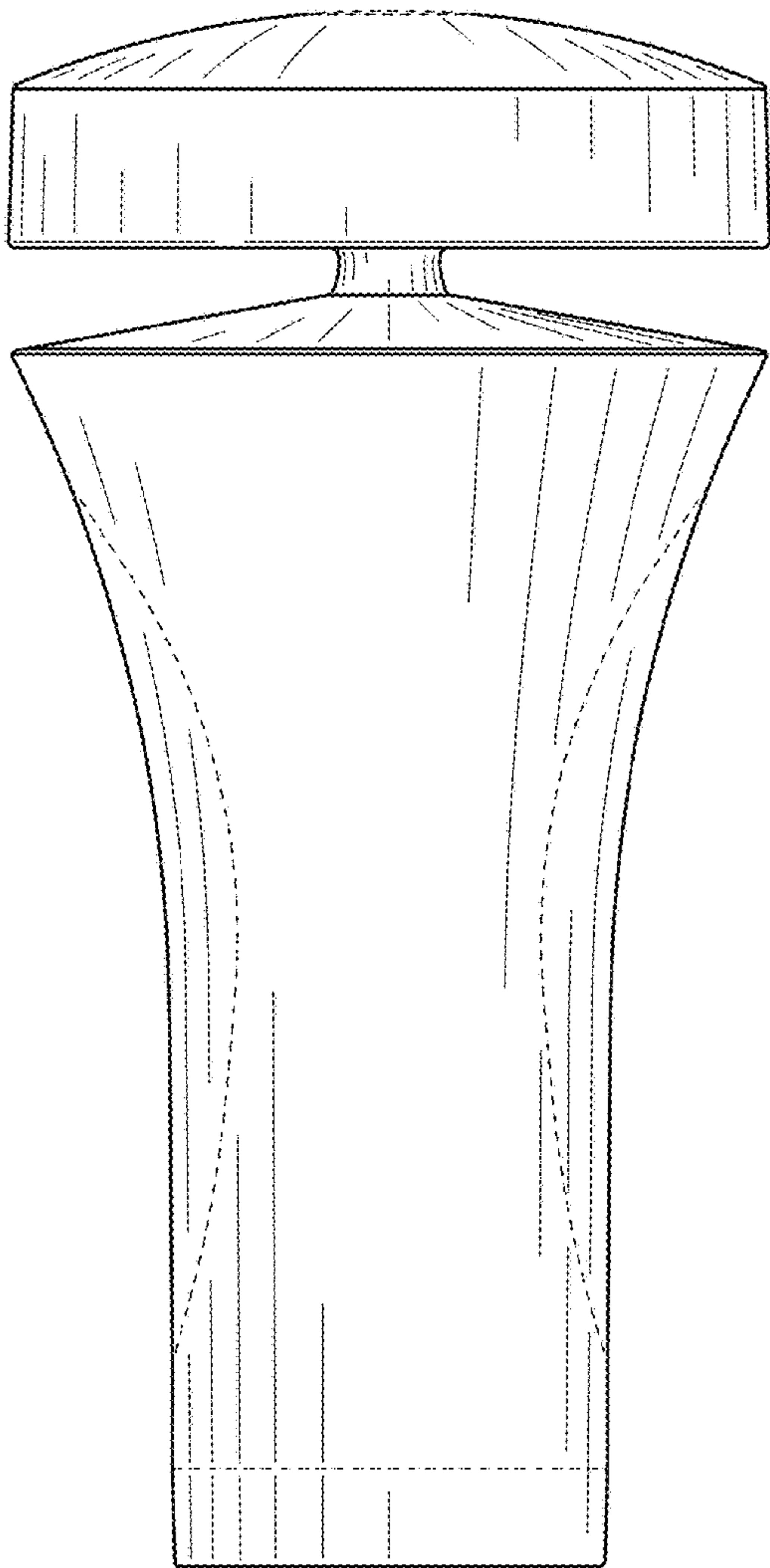


FIG. 2

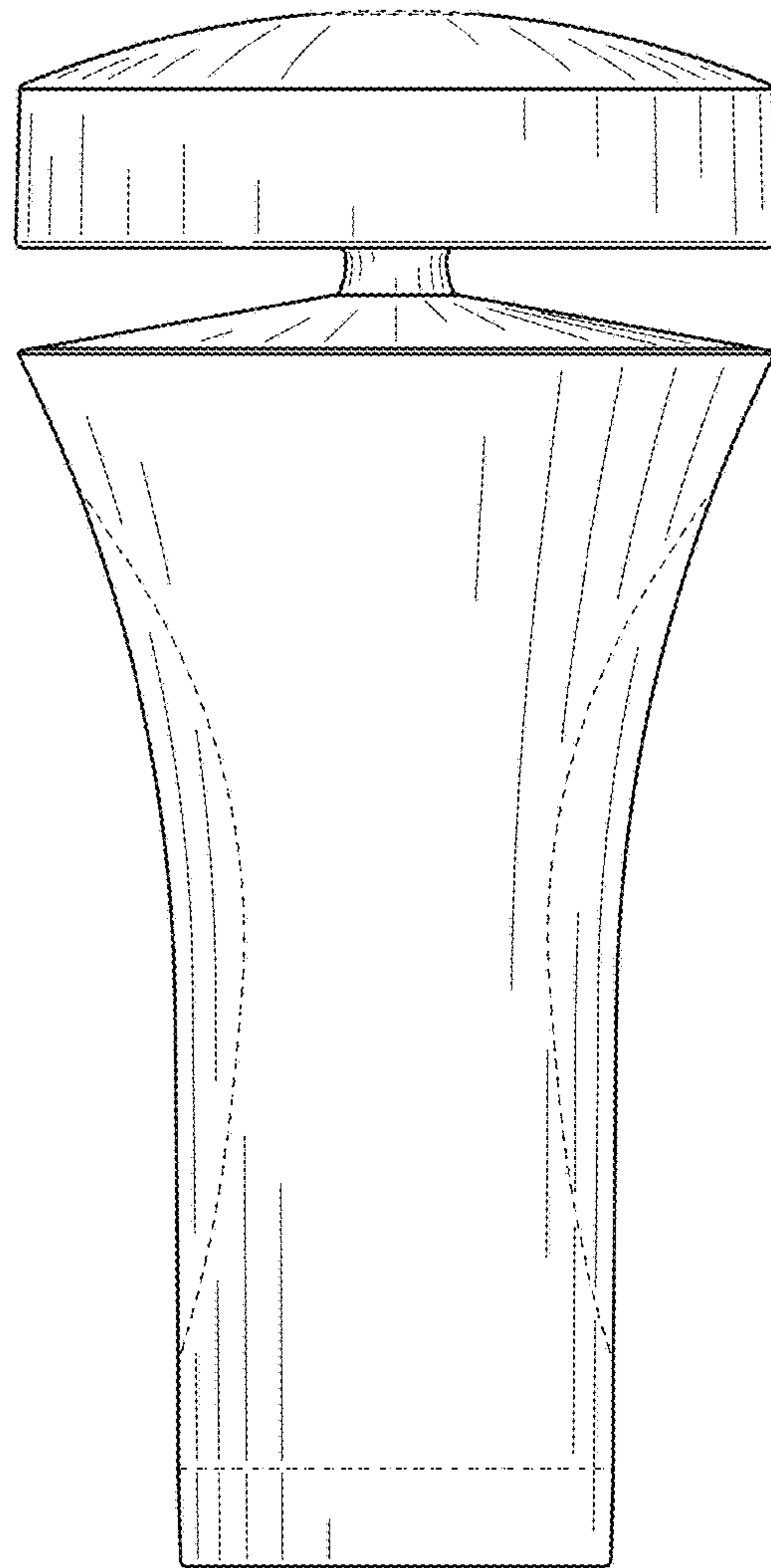


FIG. 3

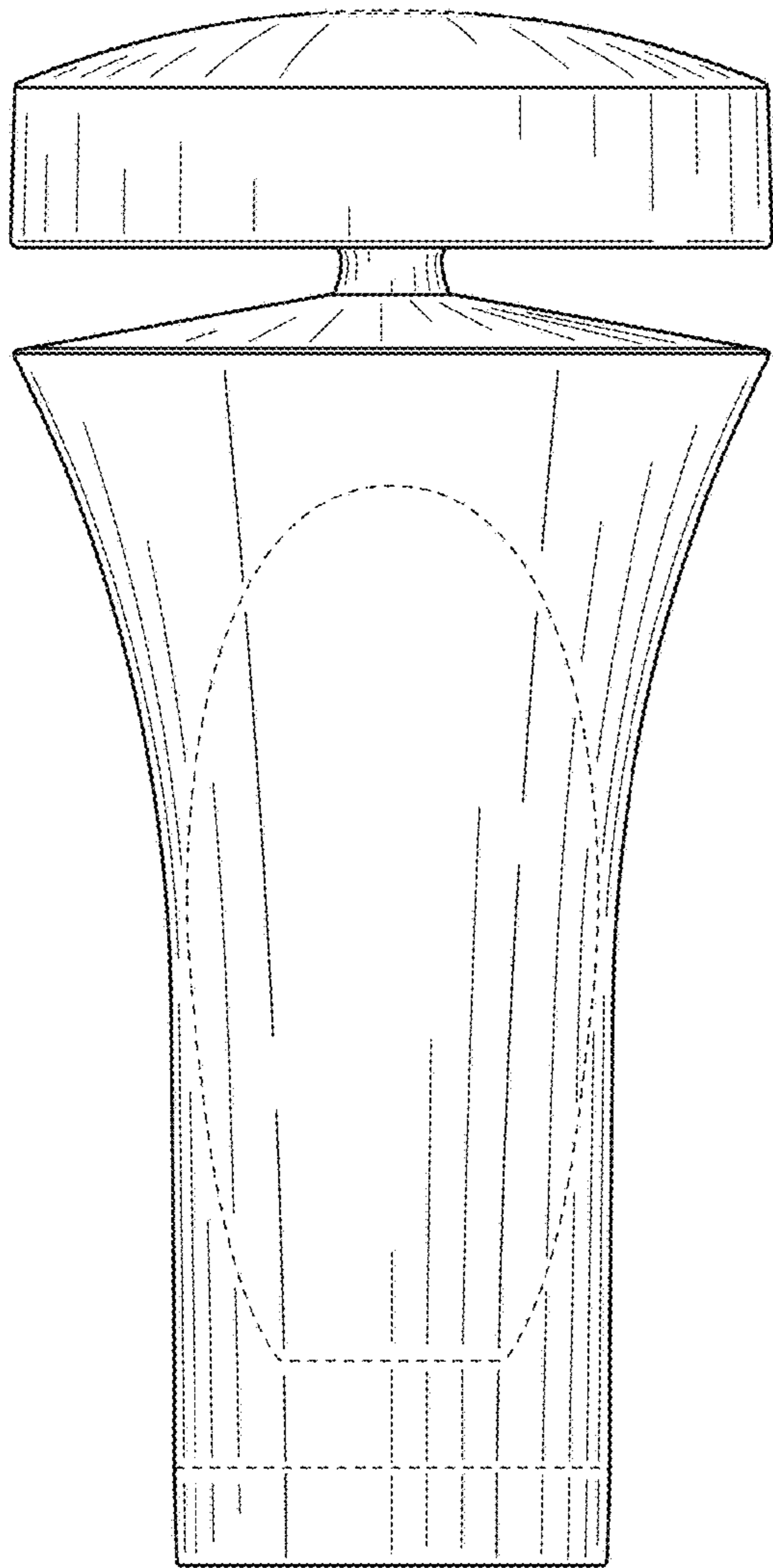


FIG. 4

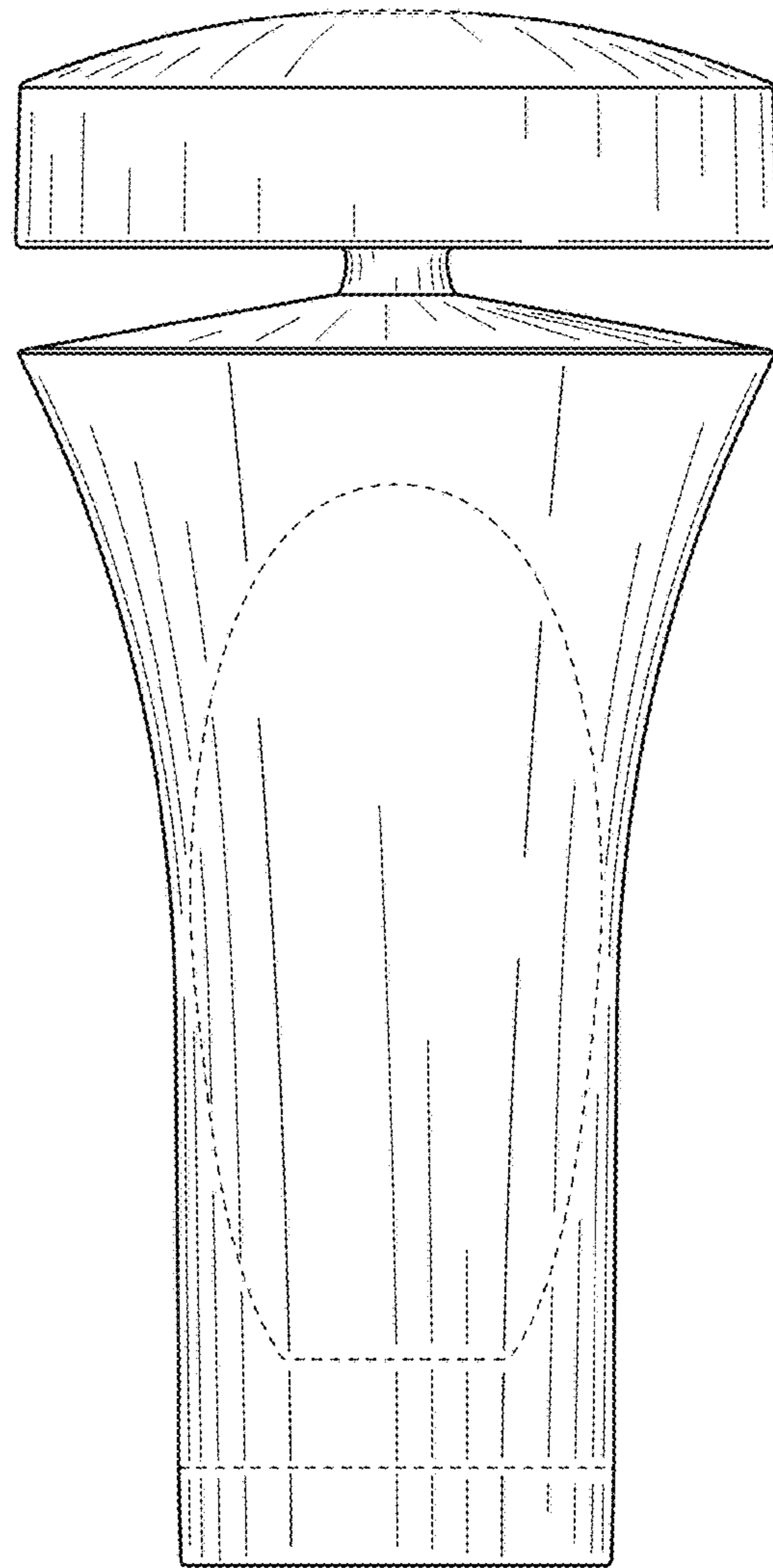


FIG. 5

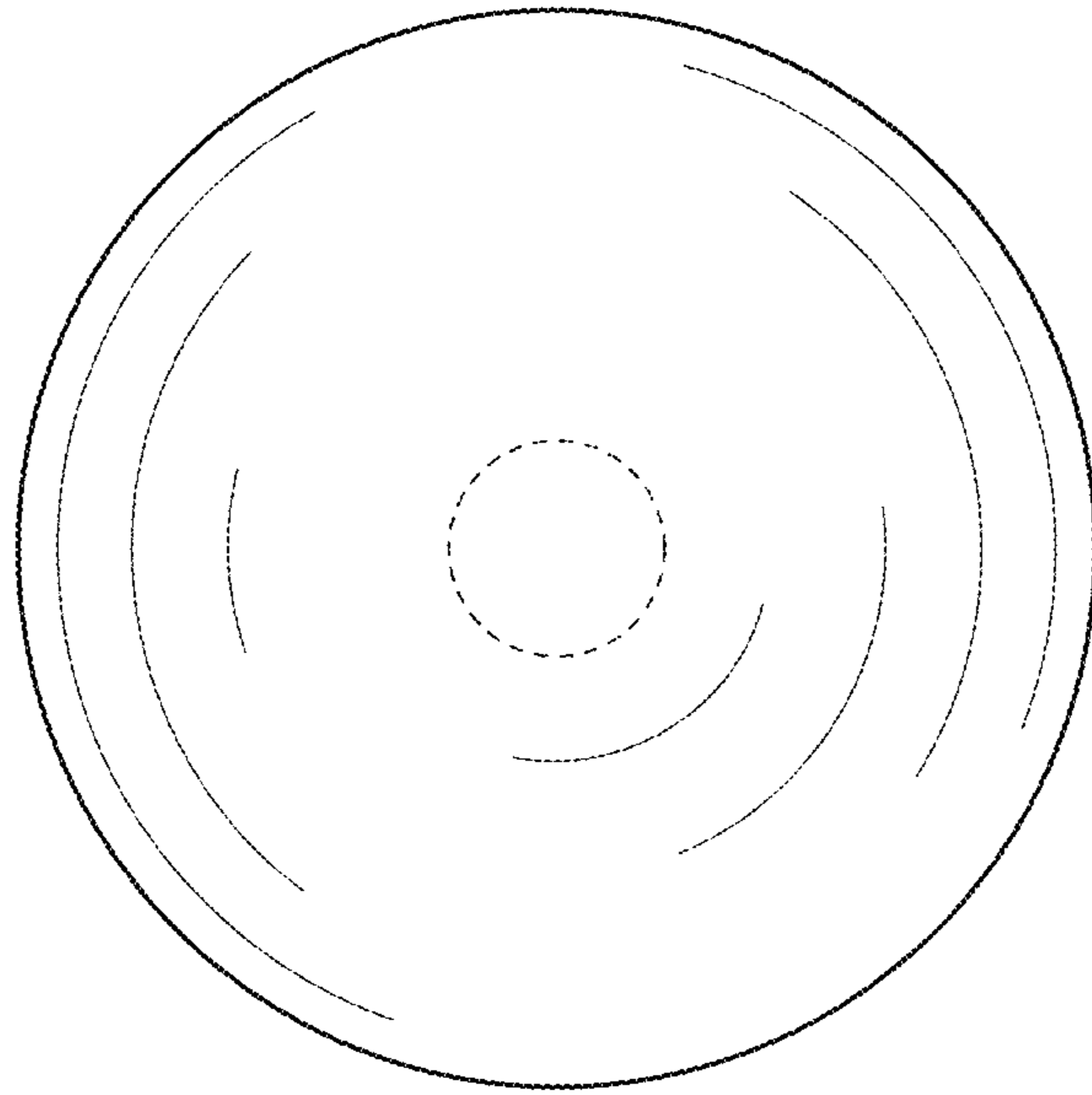


FIG. 6

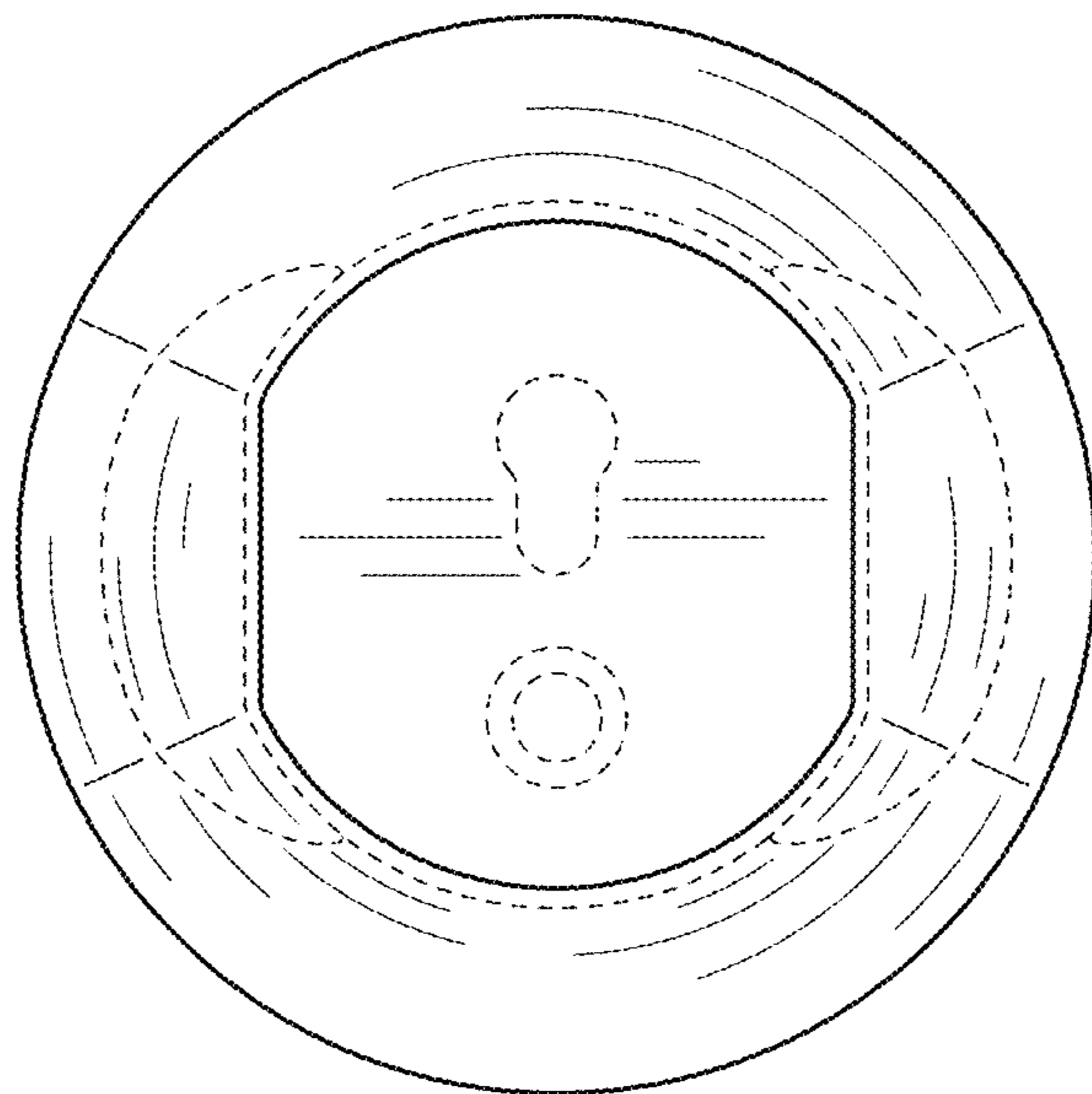


FIG. 7

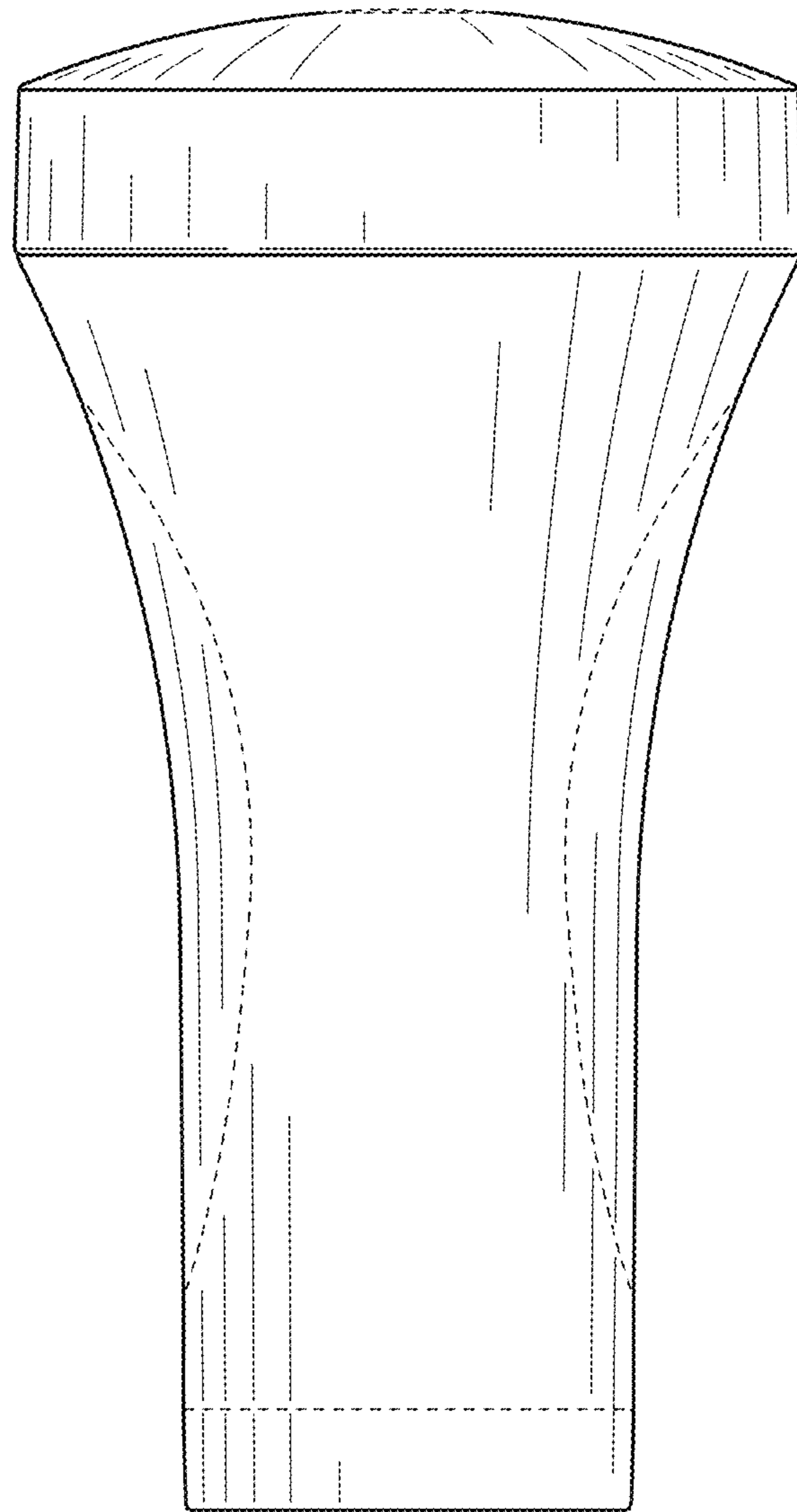


FIG. 8