



US00D805923S

(12) **United States Design Patent**
Chang et al.

(10) **Patent No.:** **US D805,923 S**

(45) **Date of Patent:** **** Dec. 26, 2017**

(54) **SENSOR MODULE**

(71) Applicant: **DELTA ELECTRONICS, INC.**,
Taoyuan (TW)

(72) Inventors: **Chih-Hsiang Chang**, Taoyuan (TW);
Yuan-Ping Hsieh, Taoyuan (TW);
Tung-Hung Shih, Taoyuan (TW);
Chao-Hsien Chan, Taoyuan (TW);
Pin-Chen Lai, Taoyuan (TW);
Chen-Yu Hung, Taoyuan (TW);
Hung-Chung Hsieh, Taoyuan (TW)

(73) Assignee: **Delta Electronics, Inc.**, Taoyuan (TW)

(**) Term: **15 Years**

(21) Appl. No.: **29/553,252**

(22) Filed: **Jan. 29, 2016**

(51) **LOC (10) Cl.** **10-07**

(52) **U.S. Cl.**
USPC **D10/46**

(58) **Field of Classification Search**
USPC D10/18, 21, 24, 25, 28, 46, 104.1, 106,
D10/106.5, 113, 114, 116.1; D13/102,
D13/103, 107, 108, 179, 180; D26/2, 28,
D26/60, 72, 89, 104, 113, 118, 119, 120,
D26/122, 124, 128, 138, 142, 143, 145
CPC H04W 4/021
See application file for complete search history.

(56) **References Cited**

U.S. PATENT DOCUMENTS

D360,153 S *	7/1995	Chacchia	D10/101
D364,168 S *	11/1995	Ying	D14/217
D400,278 S *	10/1998	Binsukor	D26/119
D579,602 S *	10/2008	Gotz-Schafer	D26/118
D607,347 S *	1/2010	Goh	D10/46
D712,963 S *	9/2014	Fleet	D19/113
D728,507 S *	5/2015	Brandis	D14/149

D740,692 S *	10/2015	Christie	D9/748
D747,229 S *	1/2016	Perez	D10/104.1
D750,992 S *	3/2016	Perez	D10/104.1
D756,501 S *	5/2016	Park	D23/385
D757,010 S *	5/2016	Kang	D14/420
D764,952 S *	8/2016	Virhia	D10/46
D764,953 S *	8/2016	Virhia	D10/46
D765,531 S *	9/2016	Li	D10/120

(Continued)

OTHER PUBLICATIONS

BlueBeacon Mini, posted on blueupbeacons.com, page posted 2014, no production date given, [online], [site visited Mar. 13, 2017], Available from Internet, <URL: <http://www.blueupbeacons.com/index.php?page=mini>>.*

(Continued)

Primary Examiner — Melanie H Tung

Assistant Examiner — Fritzgerald Butac

(74) *Attorney, Agent, or Firm* — Kirton McConkie; Evan R. Witt

(57) **CLAIM**

The ornamental design for a sensor module, as shown and described.

DESCRIPTION

FIG. 1 is a front perspective view of a sensor module showing our new design;

FIG. 2 is a front elevation view thereof;

FIG. 3 is a rear elevation view thereof;

FIG. 4 is a left side elevation view thereof;

FIG. 5 is a right side elevation view thereof;

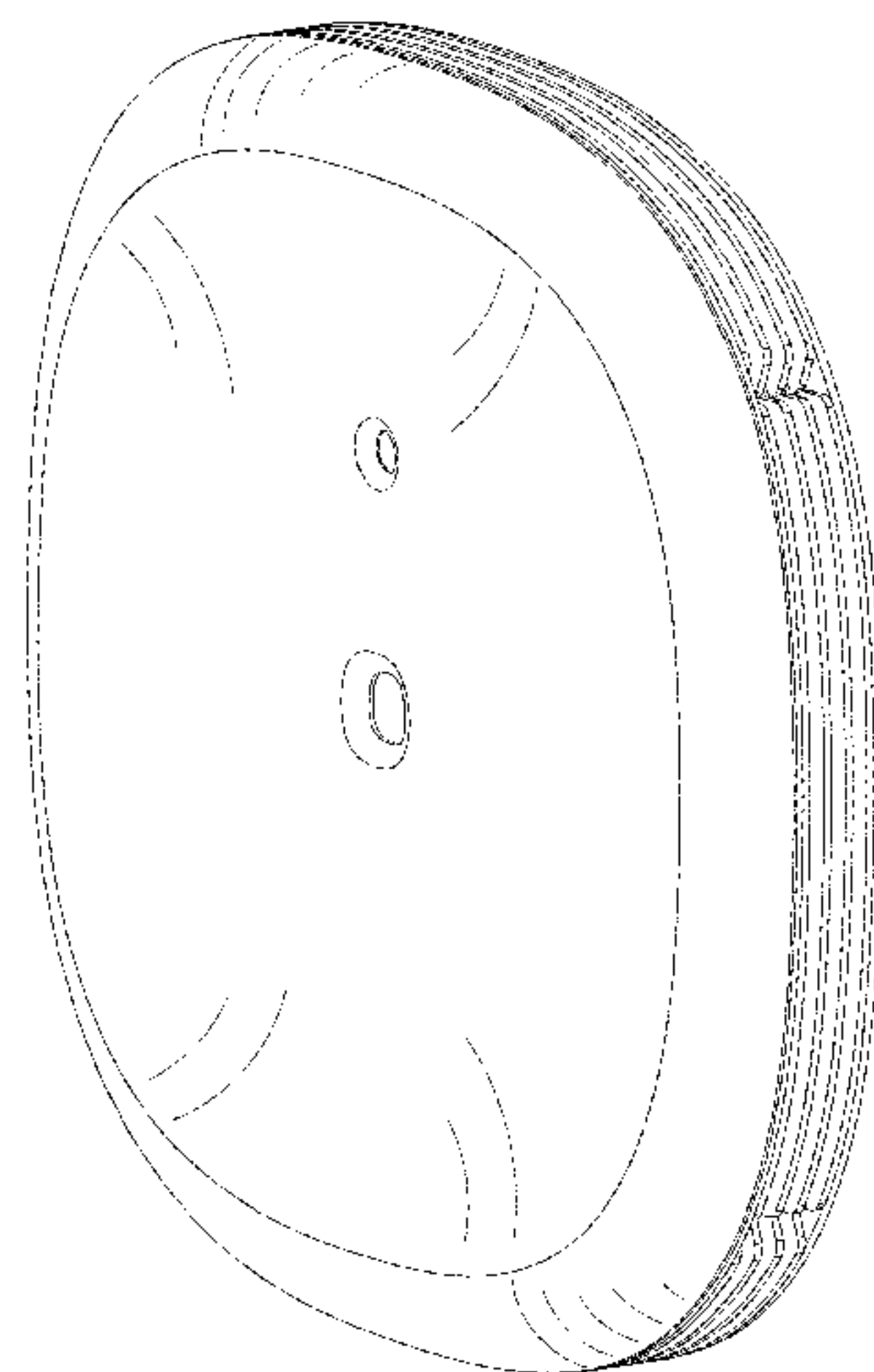
FIG. 6 is a top plan view thereof;

FIG. 7 is a bottom plan view thereof; and,

FIG. 8 is a cross-sectional view of the sensor module of FIG. 2, and taken along the line AA.

The broken lines are for the purpose of illustrating portions of the sensor module and form no part of the claimed design.

1 Claim, 8 Drawing Sheets



(56)

References Cited

U.S. PATENT DOCUMENTS

D777,626 S * 1/2017 Lv D12/179
2017/0048950 A1 * 2/2017 Deese H05B 33/0854

OTHER PUBLICATIONS

Bluetooth BLE 4.0 Beacon/iBeacon with Temperature and Humidity Sensor Android and iOS, posted on alibaba.com, no posted date given, no production date given, [online], [site visited Mar. 13, 2017], Available from Internet, <URL: https://www.alibaba.com/product-detail/Bluetooth-BLE-4-0-Beacon-iBeacon_60383026797.html?s=p>.*

Sensoro Yunzi, posted on beaconzone.co.uk, posted Feb. 14, 2017, no production date given, [online], [site visited Mar. 13, 2017], Available from Internet, <URL: <https://www.beaconzone.co.uk/blog/category/sensor-beacons/>>.*

TB Beacon, posted on trackblue.com, posted Nov. 12, 2014, no production date given, [online], [site visited Mar. 13, 2017], available from internet, <URL: <http://www.trackblue.com/tb-beacon/>>.*

* cited by examiner

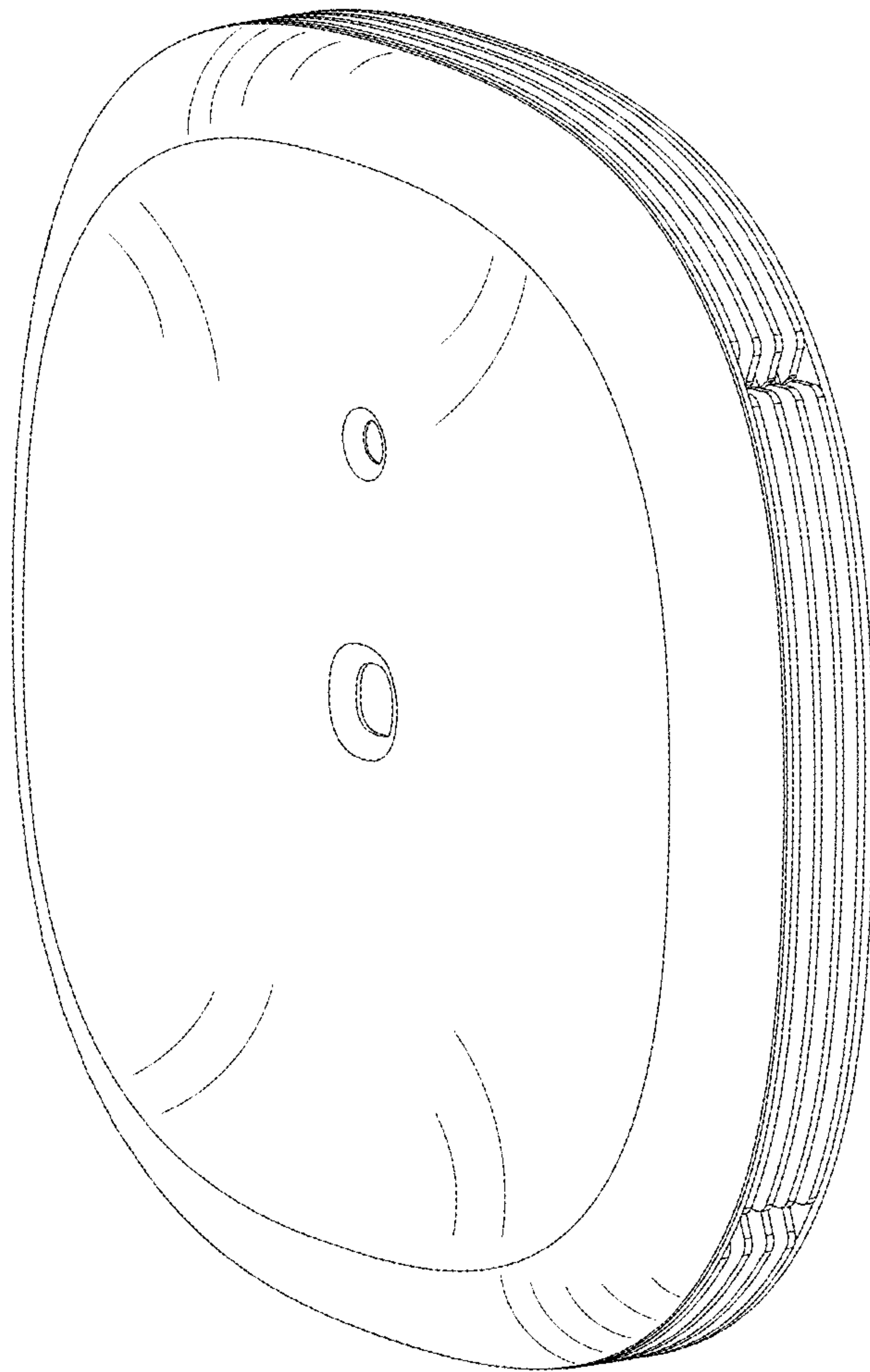


FIG. 1

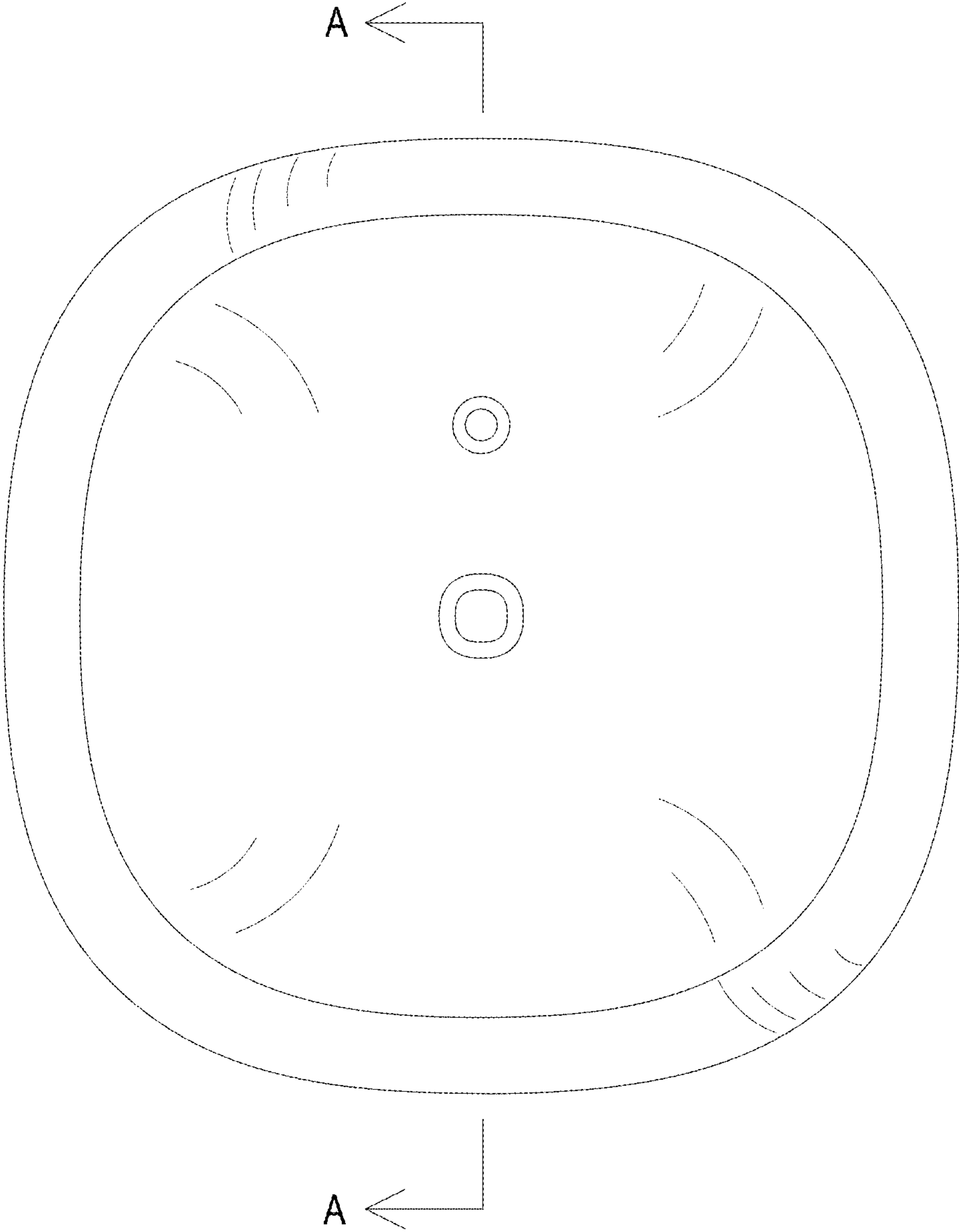


FIG. 2

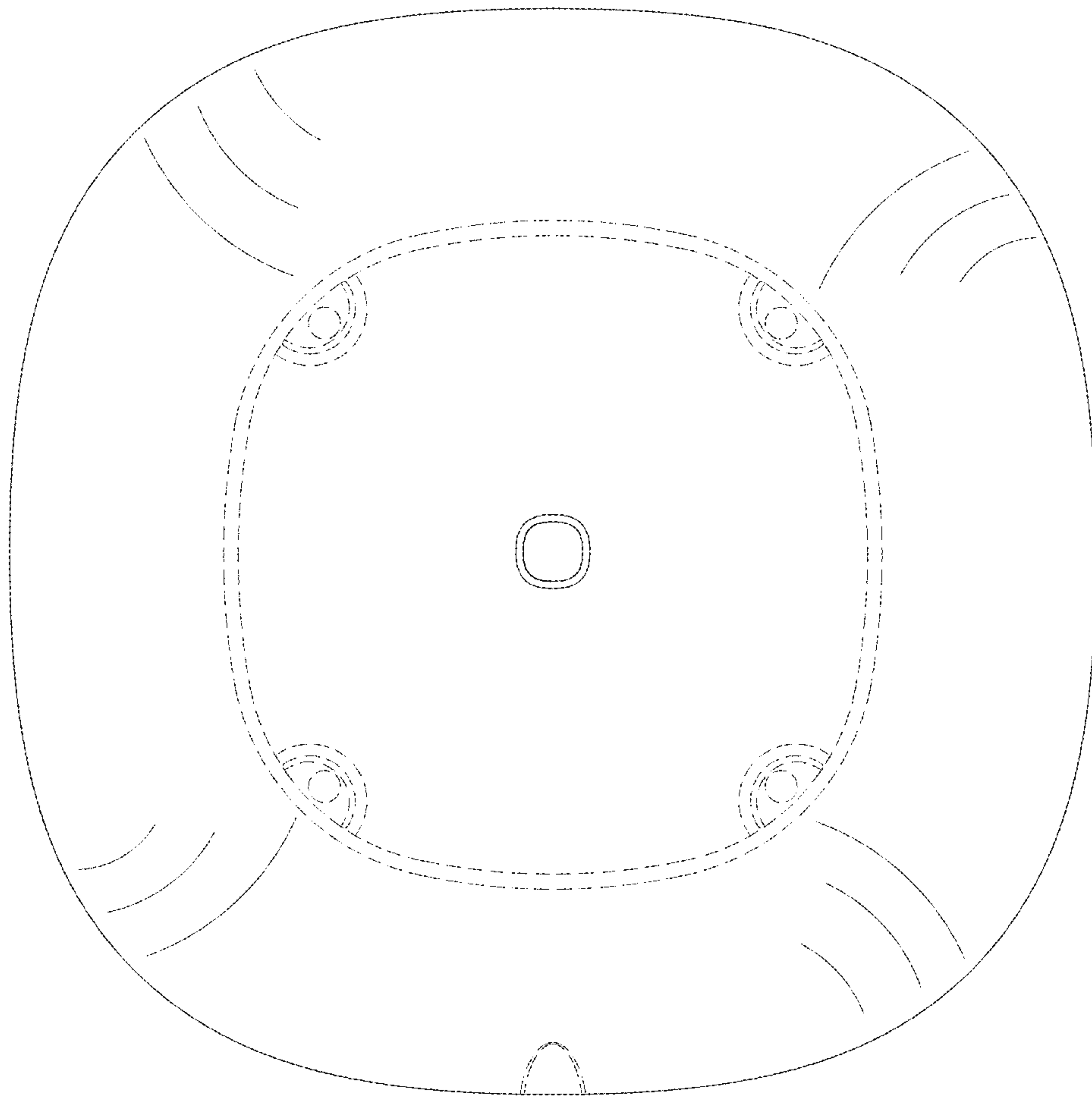


FIG. 3

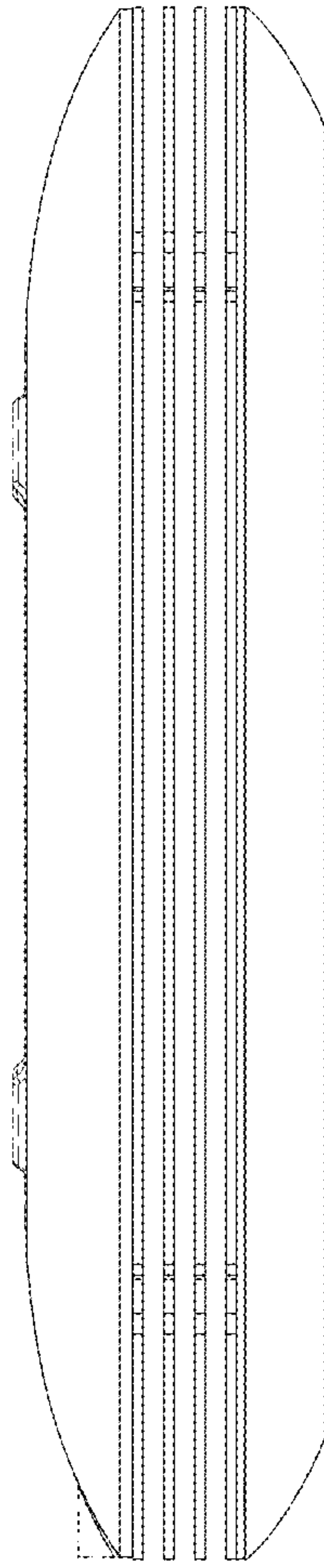


FIG. 4

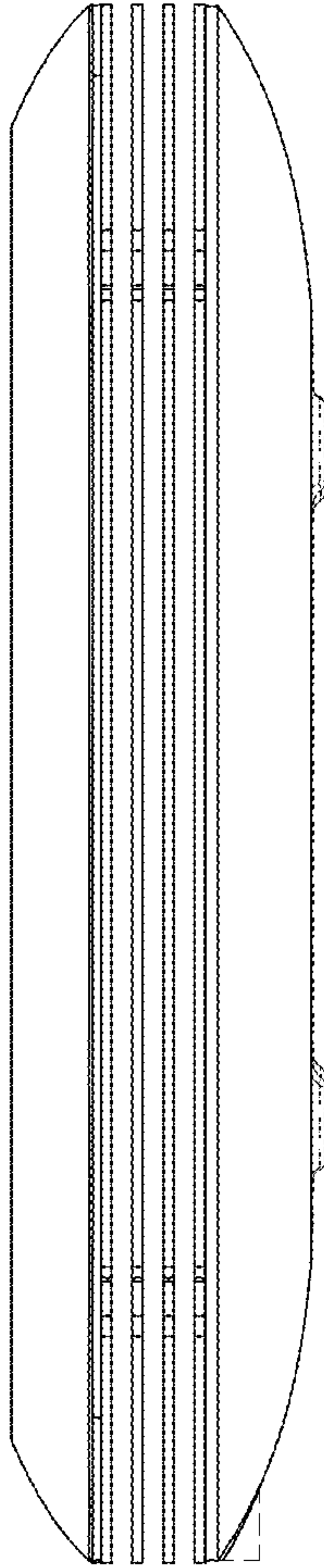


FIG. 5

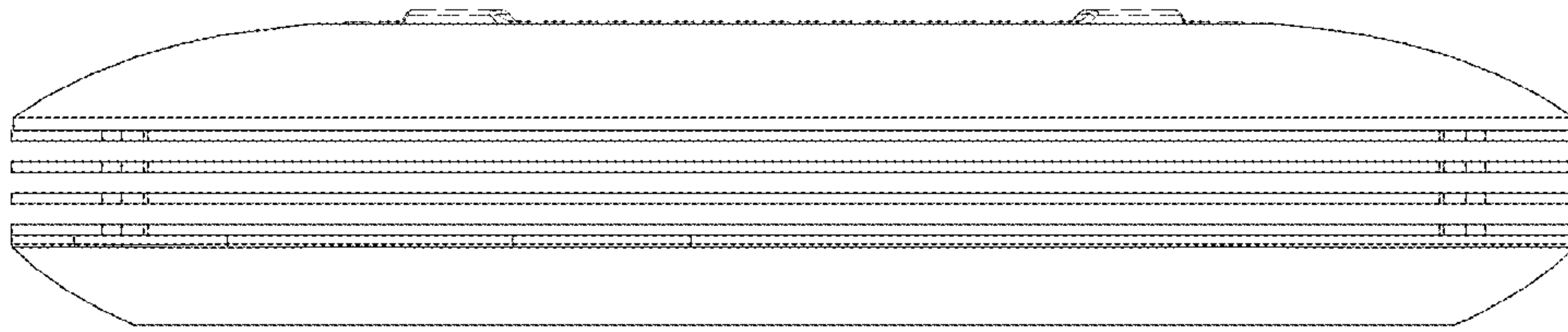


FIG. 6

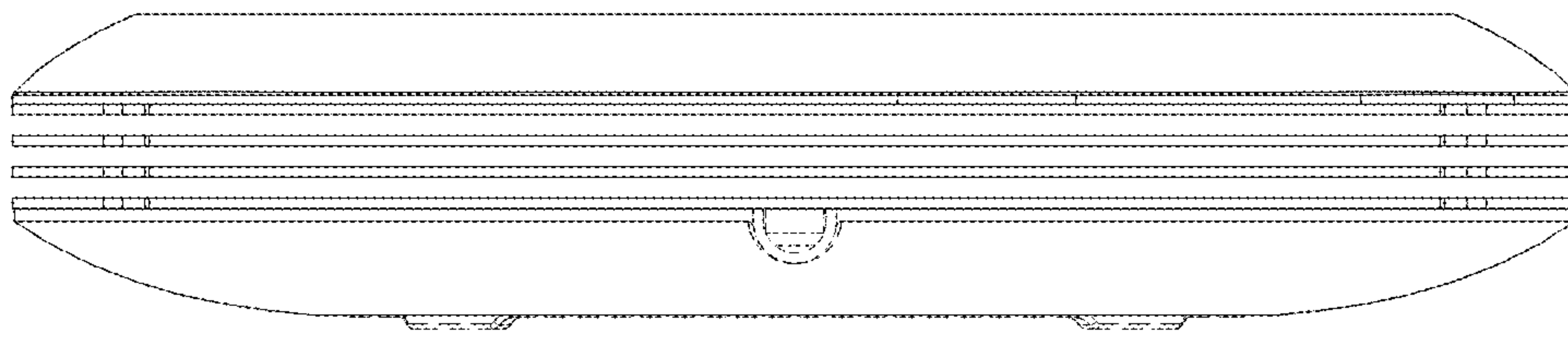


FIG. 7

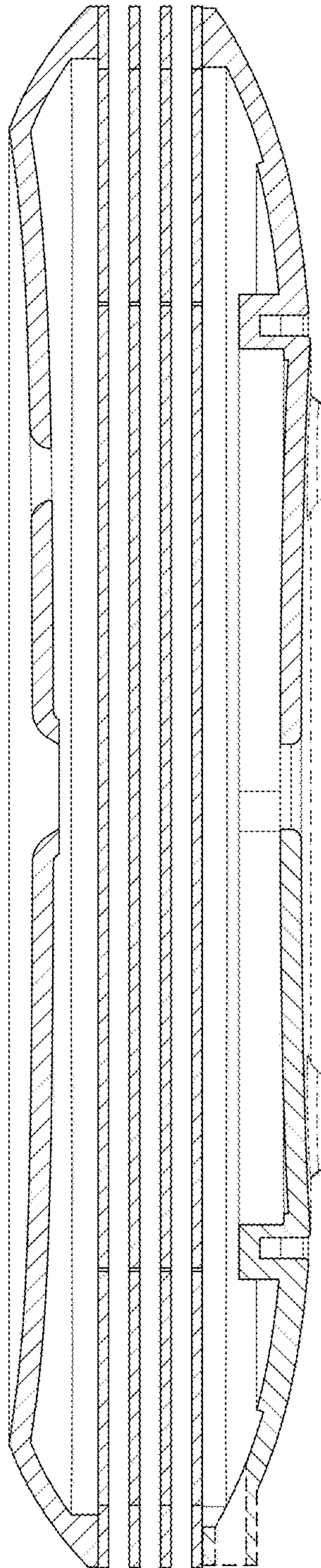


FIG. 8