



US00D805922S

(12) **United States Design Patent**
Dominguez

(10) **Patent No.:** **US D805,922 S**

(45) **Date of Patent:** **** Dec. 26, 2017**

(54) **BROOCH WATCH**

(56) **References Cited**

(71) Applicant: **HARRY WINSTON SA,**
Plan-les-Ouates (CH)
(72) Inventor: **Emmanuelle Dominguez,** Viry (FR)
(73) Assignee: **Harry Winston SA,** Plan-les-Ouates
(CH)

U.S. PATENT DOCUMENTS

D309,044	S	*	7/1990	McCready	D11/75
D339,534	S	*	9/1993	Frappe	D10/125
D517,428	S	*	3/2006	Chang	D10/15
D528,024	S	*	9/2006	Bhavnani	D10/70
D656,418	S	*	3/2012	Scheufele	D10/39
D677,586	S	*	3/2013	Graff	D10/36

* cited by examiner

Primary Examiner — Sheryl Lane

Assistant Examiner — Calvin E Vansant

(74) *Attorney, Agent, or Firm* — Blank Rome LLP

(**) Term: **15 Years**
(21) Appl. No.: **29/576,595**

(22) Filed: **Sep. 6, 2016**

(30) **Foreign Application Priority Data**

Mar. 4, 2016 (WO) DM/089 696

(51) **LOC (10) Cl.** **10-02**

(52) **U.S. Cl.**
USPC **D10/30**

(58) **Field of Classification Search**
USPC D10/1-39, 54, 65, 70, 122-132;
D11/224, 225
CPC G04B 17/00; G04B 17/02; G04B 17/005;
G04B 17/285; G04B 37/00; G04B 37/00;
G04B 37/0058; G04B 45/00; G04B
45/02; G04B 45/038; G04B 45/0069;
G04B 45/0076; G04B 29/00

See application file for complete search history.

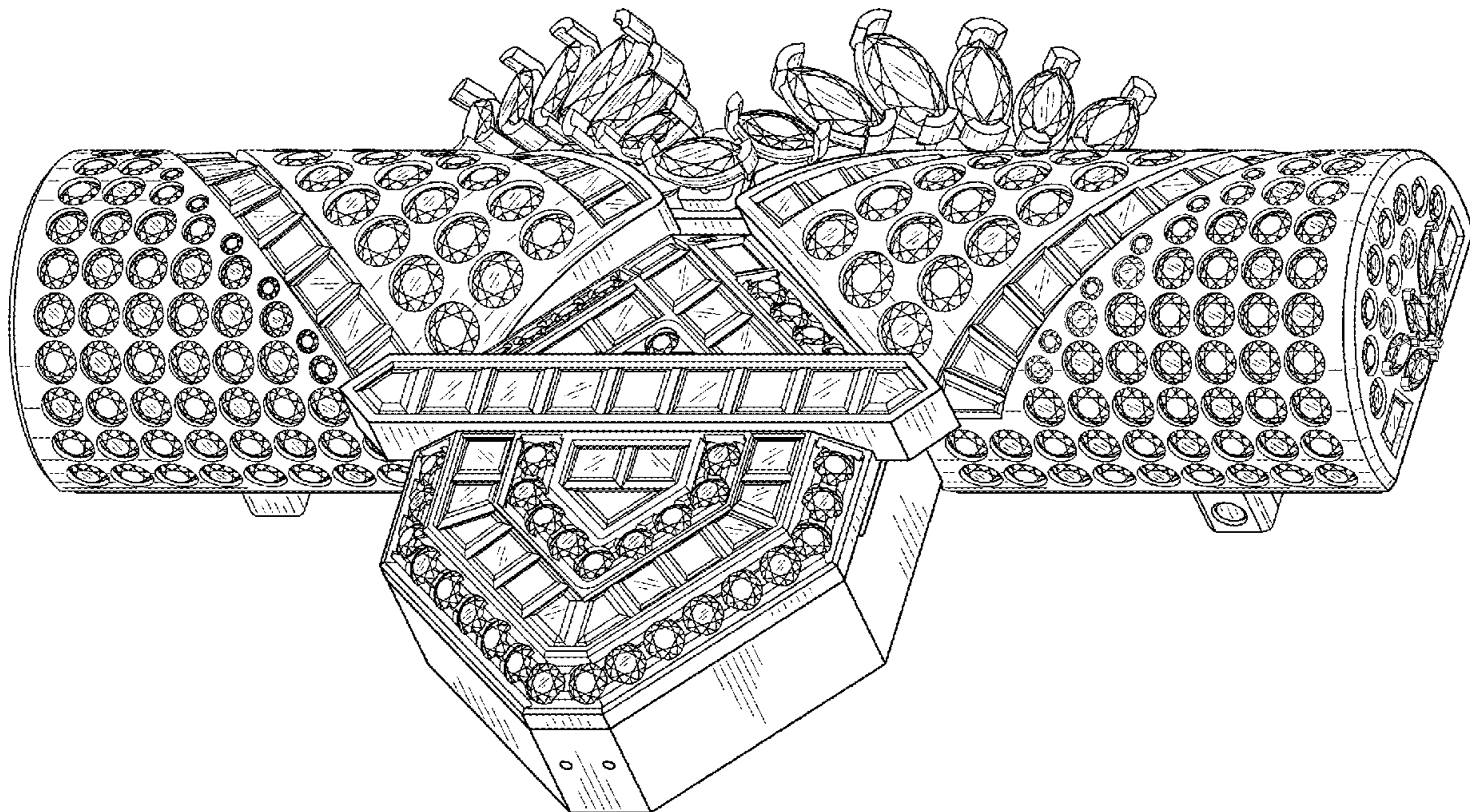
(57) **CLAIM**

The ornamental design for a brooch watch, as shown.

DESCRIPTION

FIG. 1 is a front perspective view of a brooch watch showing my new design;
FIG. 2 is a front view thereof;
FIG. 3 is a rear view thereof;
FIG. 4 is a left side view thereof;
FIG. 5 is a right side view thereof;
FIG. 6 is a top view thereof;
FIG. 7 is a bottom view thereof; and,
FIG. 8 is a rear perspective view thereof.

1 Claim, 6 Drawing Sheets



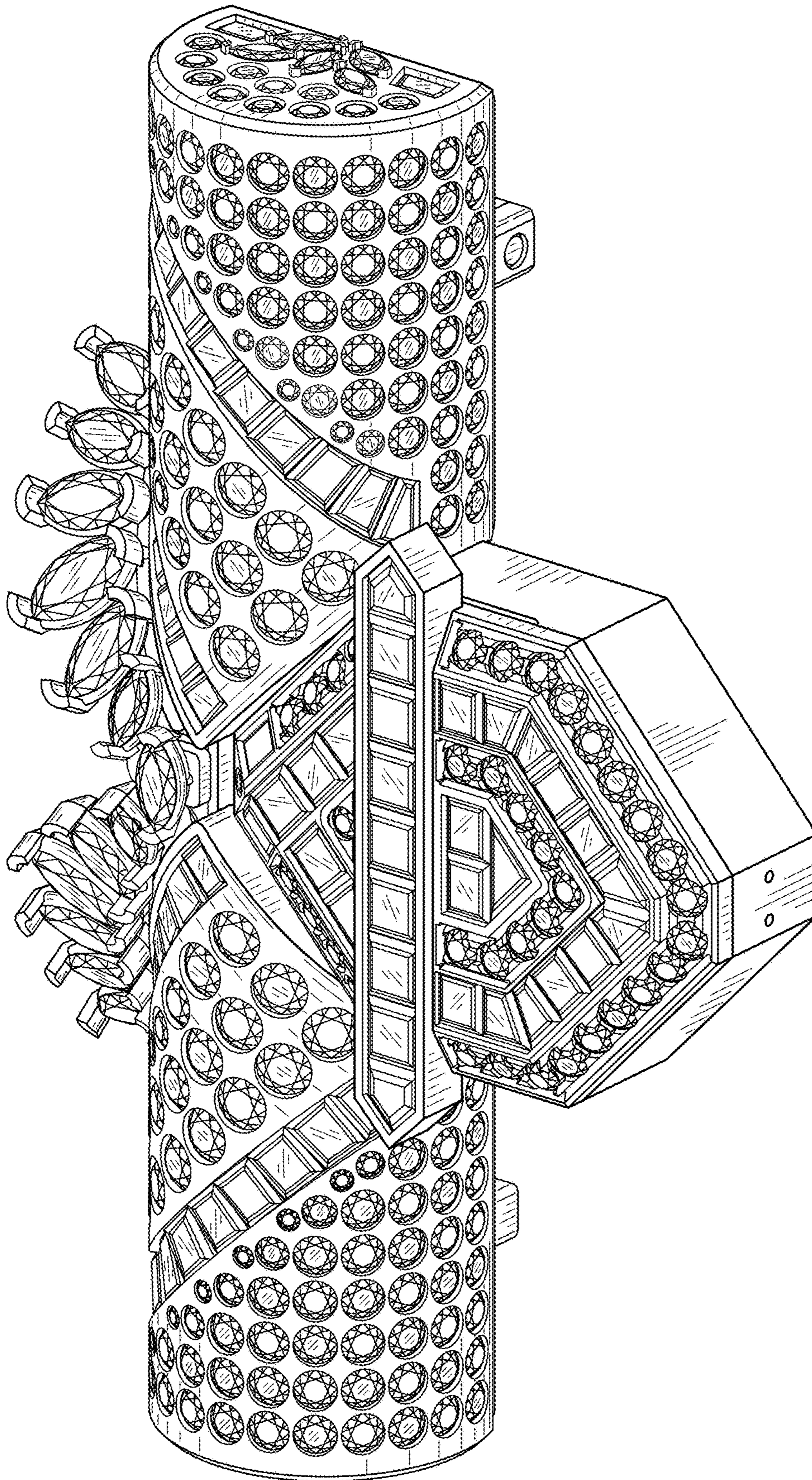


FIG. 1

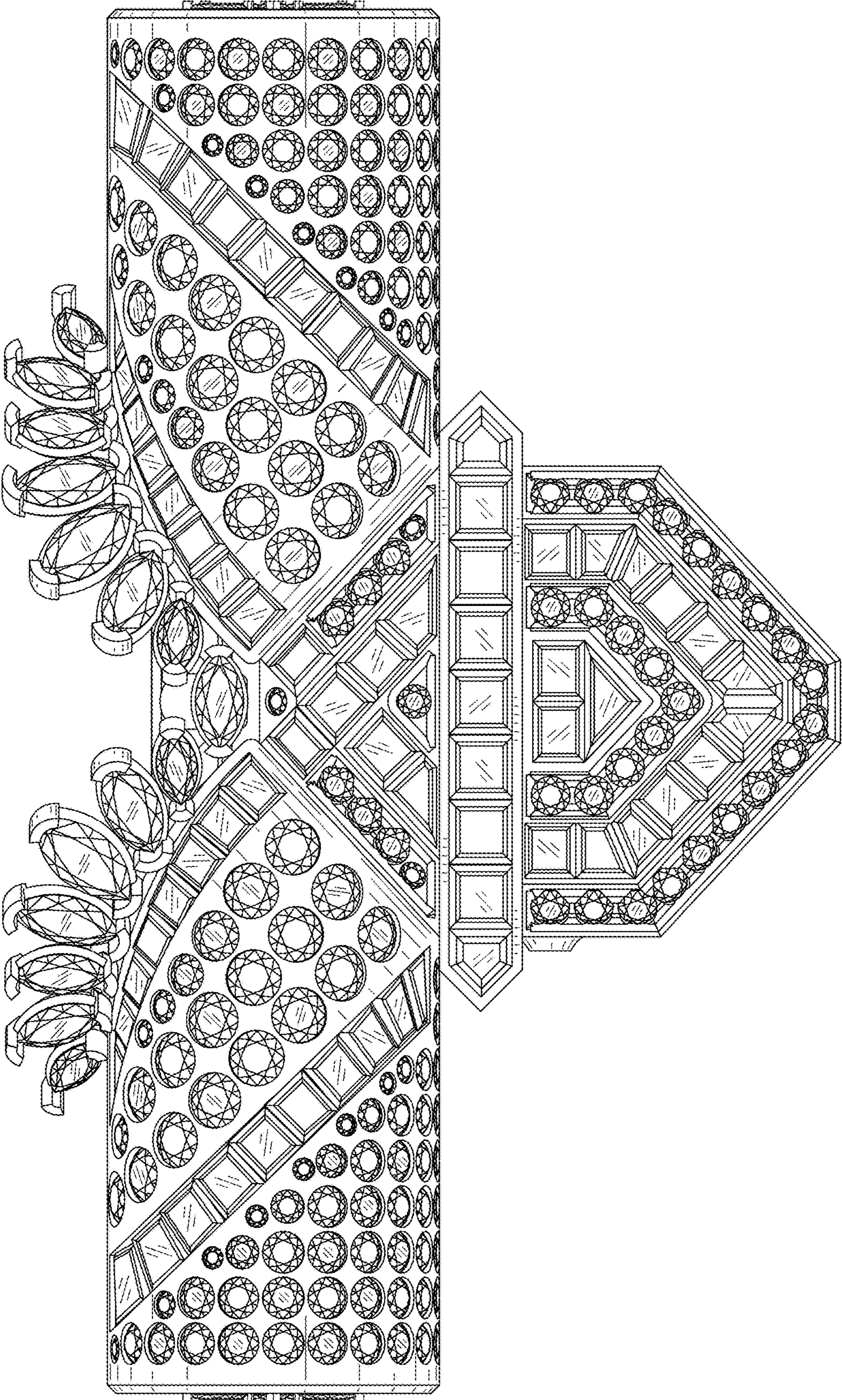


FIG. 2

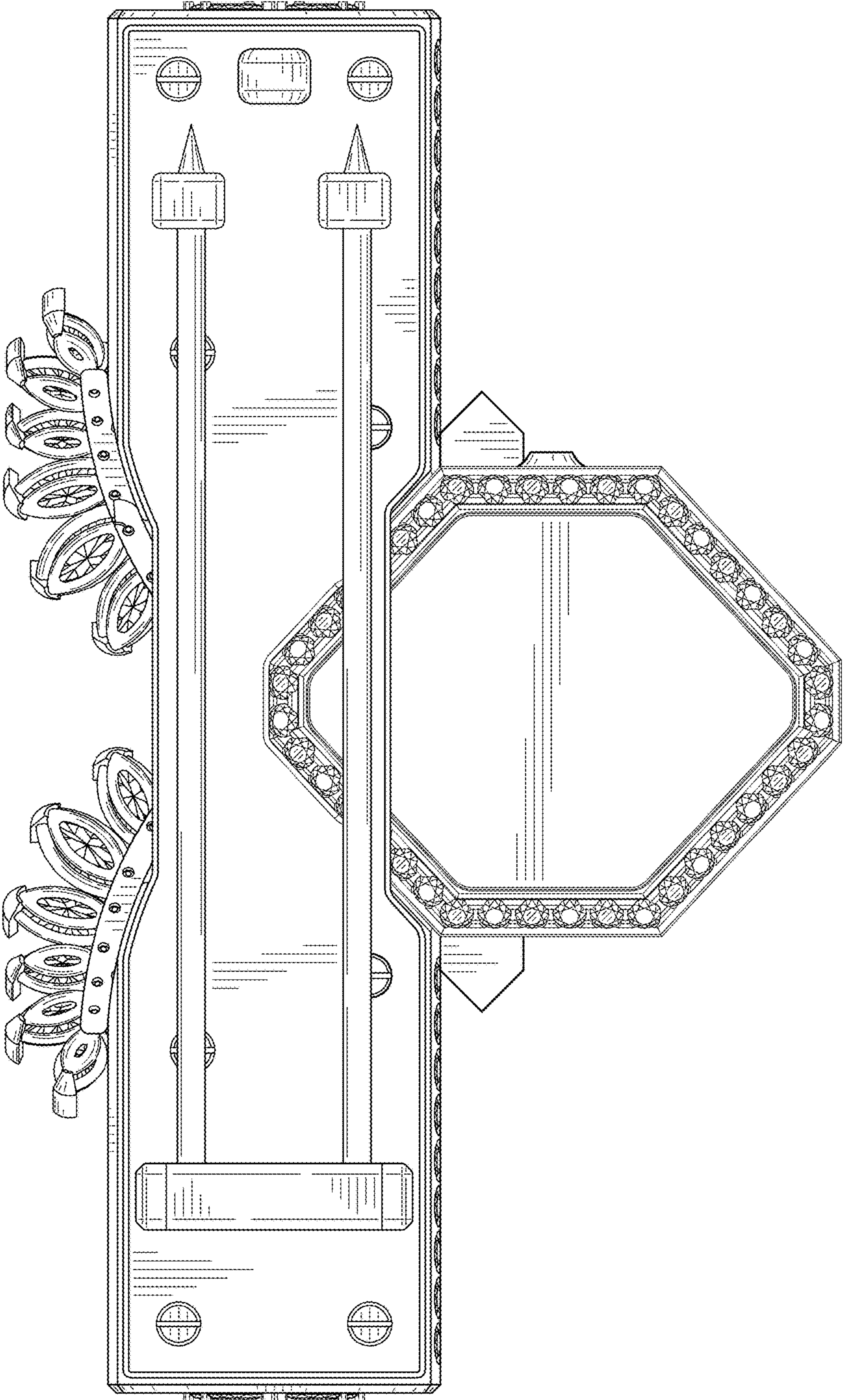


FIG. 3

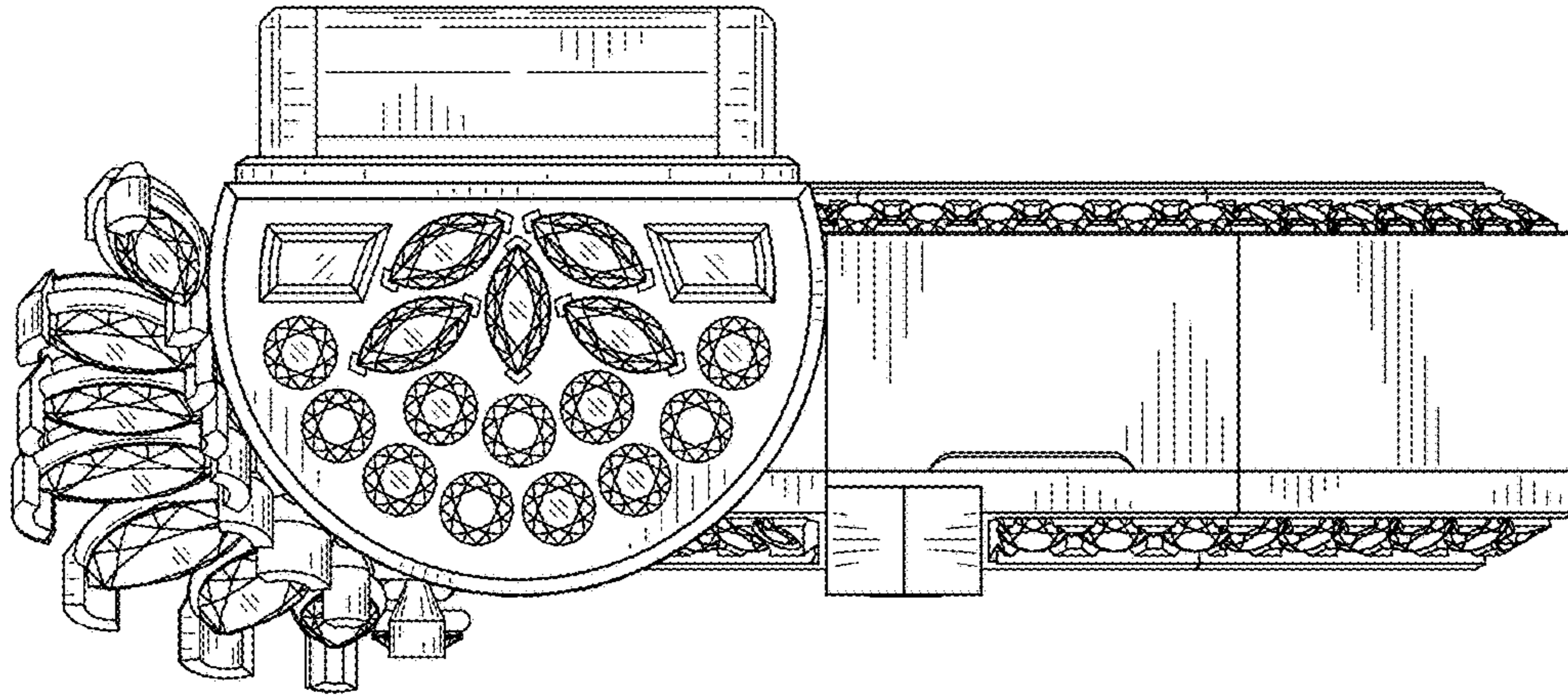


FIG. 5

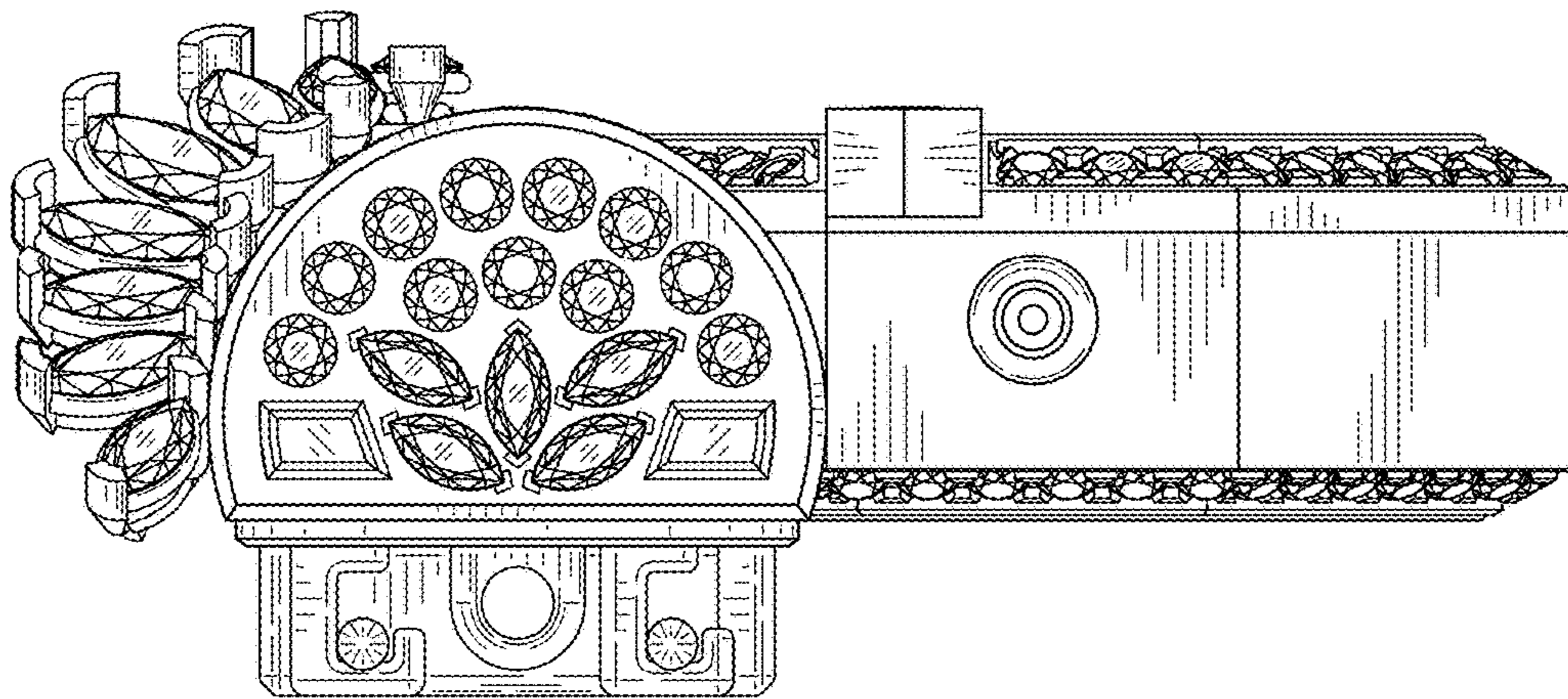


FIG. 4

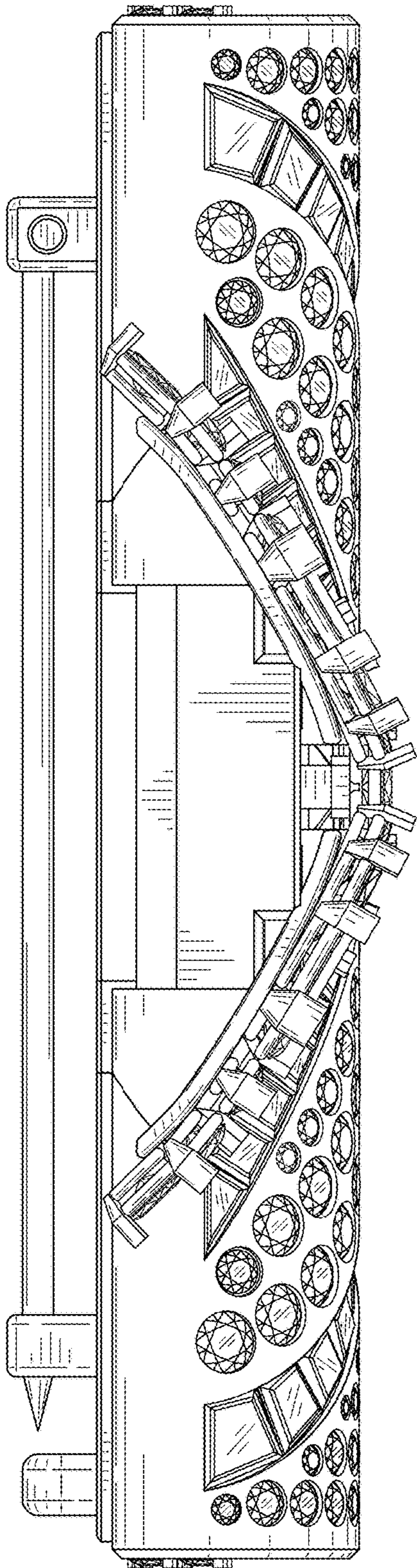


FIG. 6

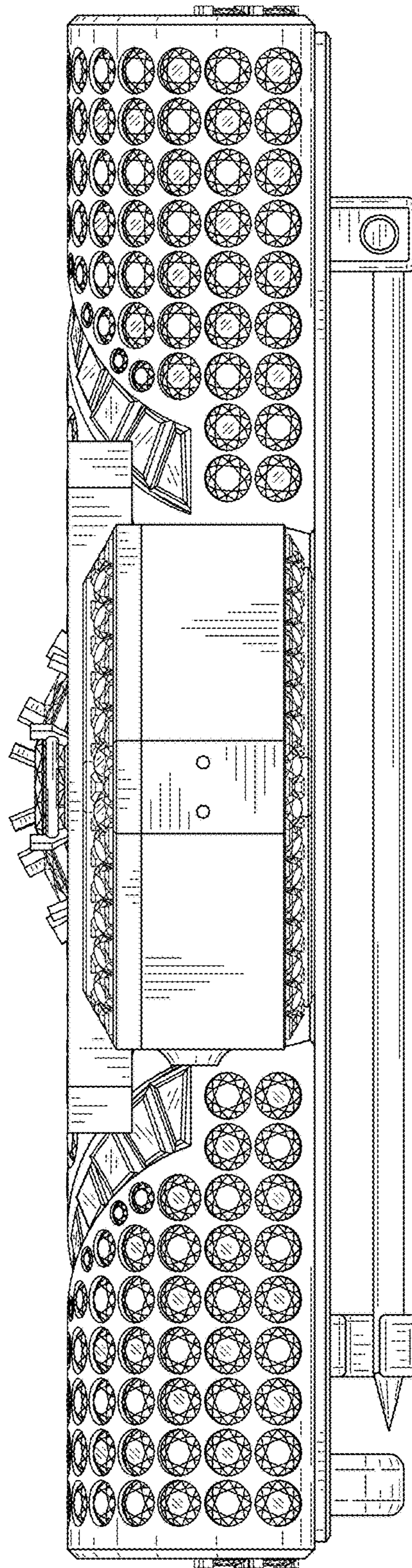


FIG. 7

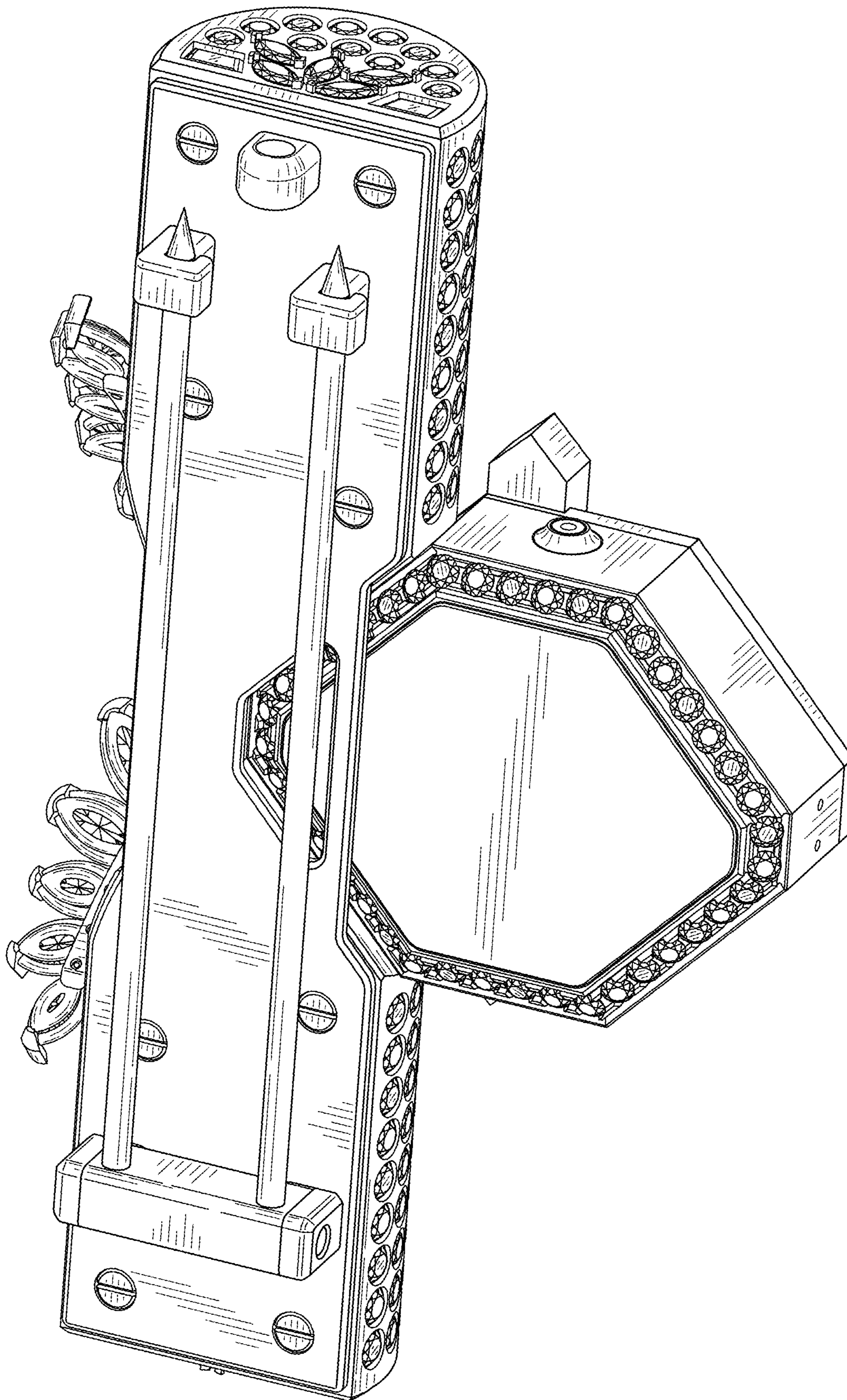


FIG. 8