

US00D805921S

(12) **United States Design Patent** (10) **Patent No.:** **US D805,921 S**  
**Torchin et al.** (45) **Date of Patent:** **\*\* Dec. 26, 2017**

(54) **PACKAGE**

(71) Applicant: **Under Armour, Inc.**, Baltimore, MD (US)

(72) Inventors: **Evan Torchin**, Baltimore, MD (US);  
**Brian Boring**, Baltimore, MD (US);  
**Helene Christman**, Baltimore, MD (US); **Paul Pugh**, Baltimore, MD (US);  
**Eric Boam**, Baltimore, MD (US);  
**Breyna Fries**, Baltimore, MD (US)

(73) Assignee: **Under Armour, Inc.**, Baltimore, MD (US)

(\*\*) Term: **15 Years**

(21) Appl. No.: **29/571,484**

(22) Filed: **Jul. 19, 2016**

(51) **LOC (10) Cl.** ..... **09-01**

(52) **U.S. Cl.**  
USPC ..... **D9/737**

(58) **Field of Classification Search**  
USPC ..... D3/203.1–203.3, 203.7; D9/414–416,  
D9/418, 420, 424–426, 428–430, 432,  
(Continued)

(56) **References Cited**

U.S. PATENT DOCUMENTS

D22,290 S \* 3/1893 Burnworth ..... D19/77  
1,694,119 A \* 12/1928 Frank ..... A47G 19/24  
141/381

(Continued)

OTHER PUBLICATIONS

DC Rainmaker. Under Armour’s Healthbox: Wifi Scale, Fitness Band, HR Strap, and more! Jan. 5, 2016 [earliest online date], [site visited Jun. 7, 2017]. Available from Internet, URL:<https://www.dcrainmaker.com/2016/01/under-armour-healthbox.html>.\*

*Primary Examiner* — Robert M. Spear

*Assistant Examiner* — Darcey E Hefflin

(74) *Attorney, Agent, or Firm* — Maginot, Moore & Beck LLP

(57) **CLAIM**

The ornamental design for a package, as shown and described.

**DESCRIPTION**

Cross reference is made to copending U.S. design patent application Ser. No. 29/571,479 entitled “Package” by Torchin et al. filed on even date herewith; U.S. design patent application Ser. No. 29/571,480 entitled “Package” by Torchin et al. filed on even date herewith; U.S. design patent application Ser. No. 29/571,481 entitled “Package” by Torchin et al. filed on even date herewith; U.S. design patent application Ser. No. 29/571,482 entitled “Package” by Torchin et al. filed on even date herewith; and U.S. design patent application Ser. No. 29/571,483 entitled “Package” by Torchin et al. filed on even date herewith.

FIG. 1 is a perspective view of a package showing our new design;

FIG. 2 is a front elevational view showing the design for the package of FIG. 1;

FIG. 3 is a rear elevational view showing the design for the package of FIG. 1;

FIG. 4 is a left side elevational view showing the design for the package of FIG. 1;

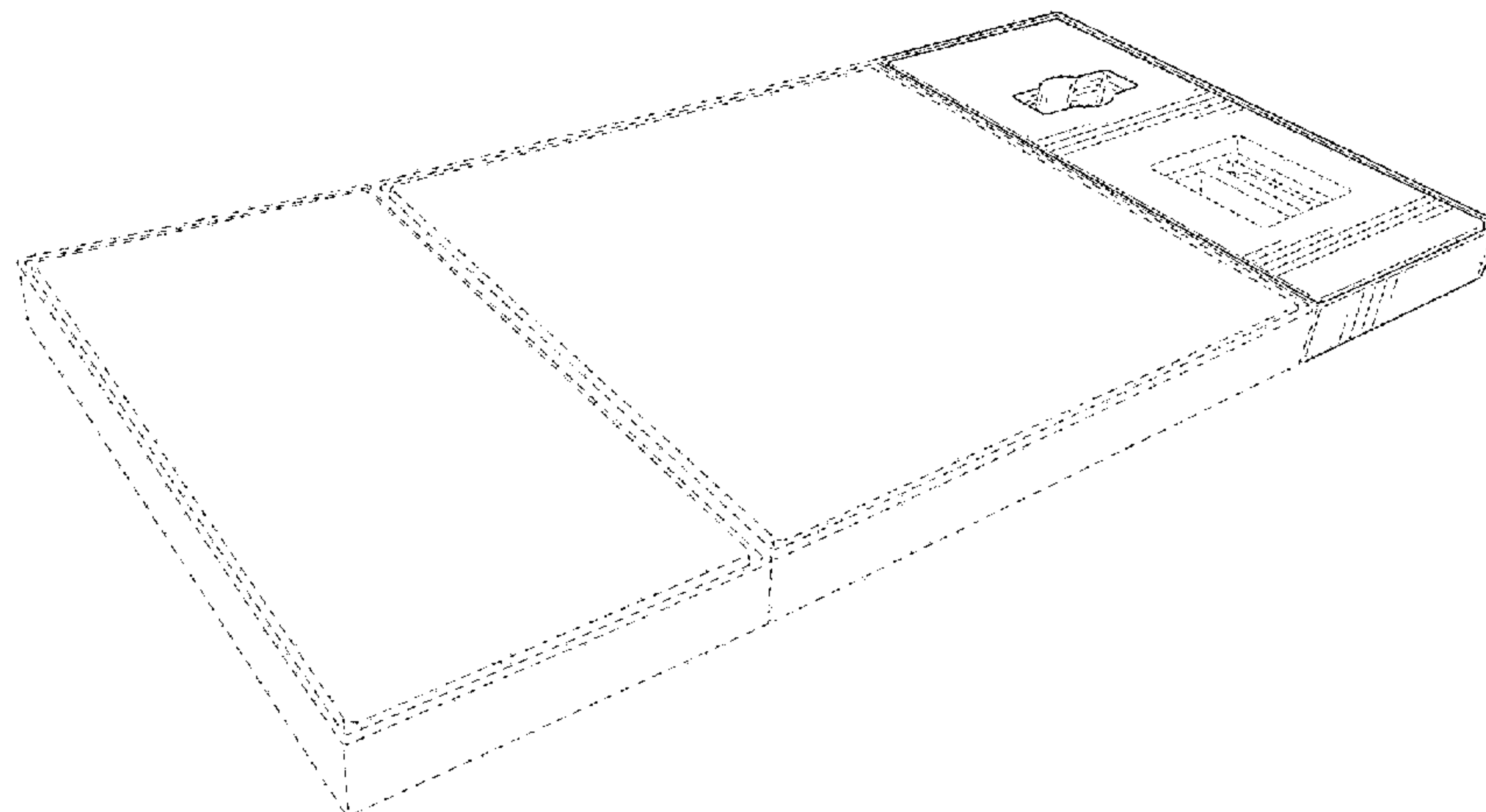
FIG. 5 is a right side elevational view showing the design for the package of FIG. 1;

FIG. 6 is a top plan view showing the design for the package of FIG. 1; and,

FIG. 7 is a bottom plan view showing the design for the package of FIG. 1.

The broken lines shown in the drawings illustrate portions of the package that form no part of the claimed design.

**1 Claim, 5 Drawing Sheets**



(58) **Field of Classification Search**

USPC ..... D9/434, 435, 455–457, 499, 707, 709,  
D9/722, 756, 759, 737

CPC ..... B65D 71/0003

See application file for complete search history.

(56) **References Cited**

U.S. PATENT DOCUMENTS

D280,290	S	*	8/1985	Bakus	.....	D9/425
D347,386	S	*	5/1994	Conway	.....	D9/425
D369,469	S	*	5/1996	Gregory	.....	D3/313
D393,591	S	*	4/1998	Baryshyan	.....	D9/753
D443,388	S		6/2001	Roberts et al.		
D522,858	S	*	6/2006	Snedden	.....	D9/435
D523,747	S	*	6/2006	Snedden	.....	D9/435
D596,935	S	*	7/2009	Golota	.....	D9/420
D644,514	S	*	9/2011	Robins	.....	D9/456
D660,723	S	*	5/2012	Akana	.....	D9/424
D674,709	S	*	1/2013	Akana	.....	D9/432
D685,654	S	*	7/2013	Akana	.....	D9/432
D689,772	S	*	9/2013	Jones	.....	D9/456
D698,199	S	*	1/2014	Yessin	.....	D7/392.1
D712,251	S		9/2014	Scott		
D713,740	S	*	9/2014	Akana	.....	D9/721
D716,649	S		11/2014	McAdam		
D737,688	S		9/2015	Stone		
D786,071	S	*	5/2017	Miller	.....	D9/435
D786,073	S	*	5/2017	Hutcheson, Jr.	.....	D22/134
2003/0102244	A1	*	6/2003	Sanders, Jr.	.....	B65D 5/22 206/523

\* cited by examiner

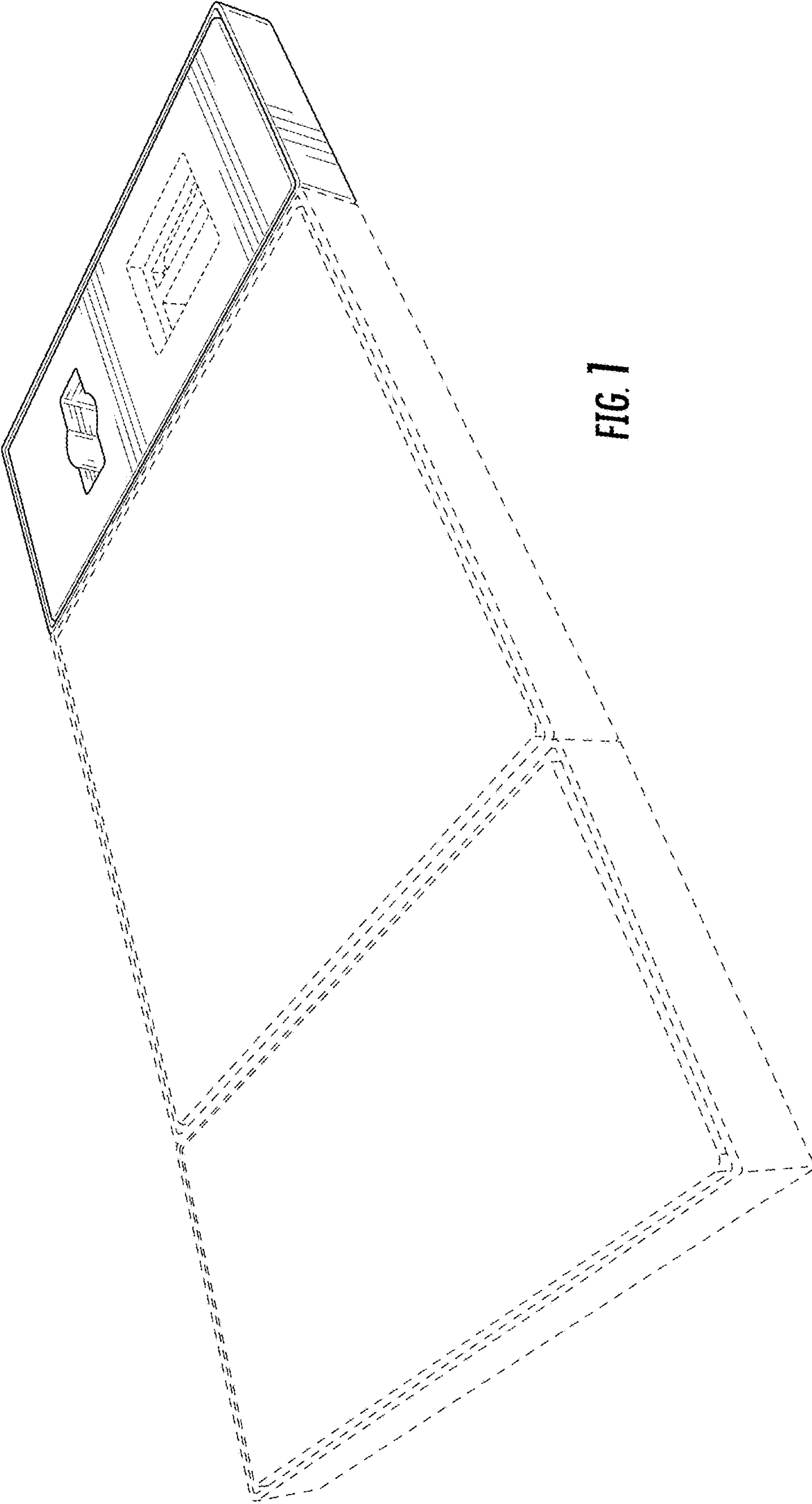


FIG. 1

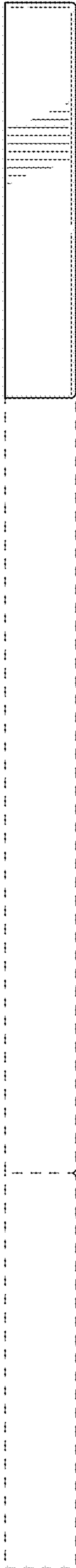


FIG. 2

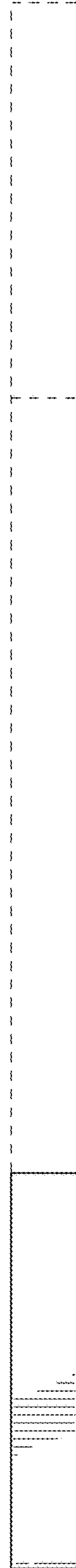
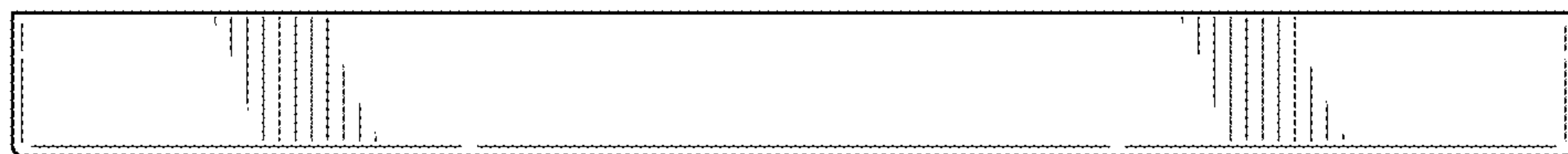


FIG. 3



**FIG. 4**



**FIG. 5**

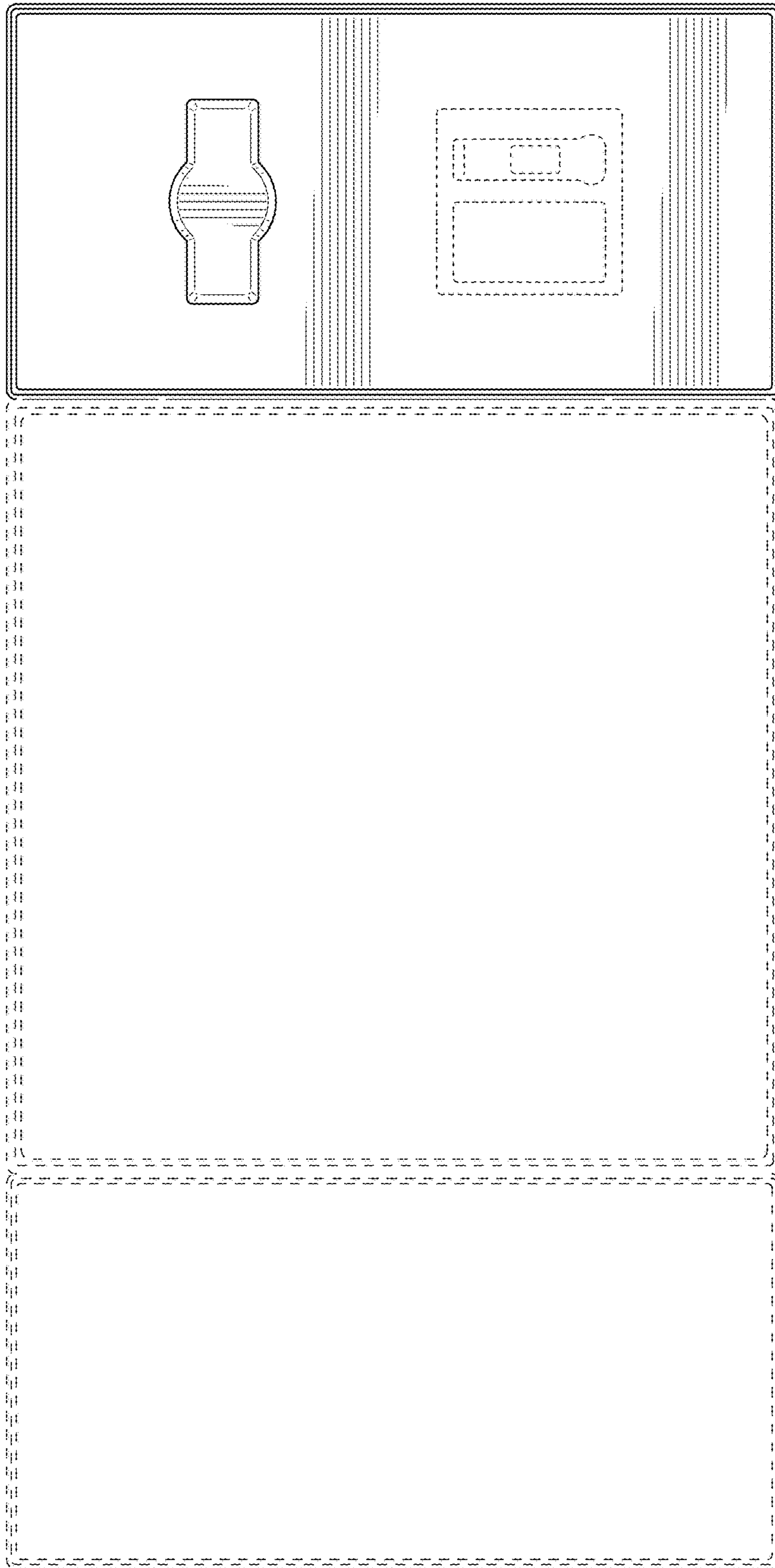


FIG. 6



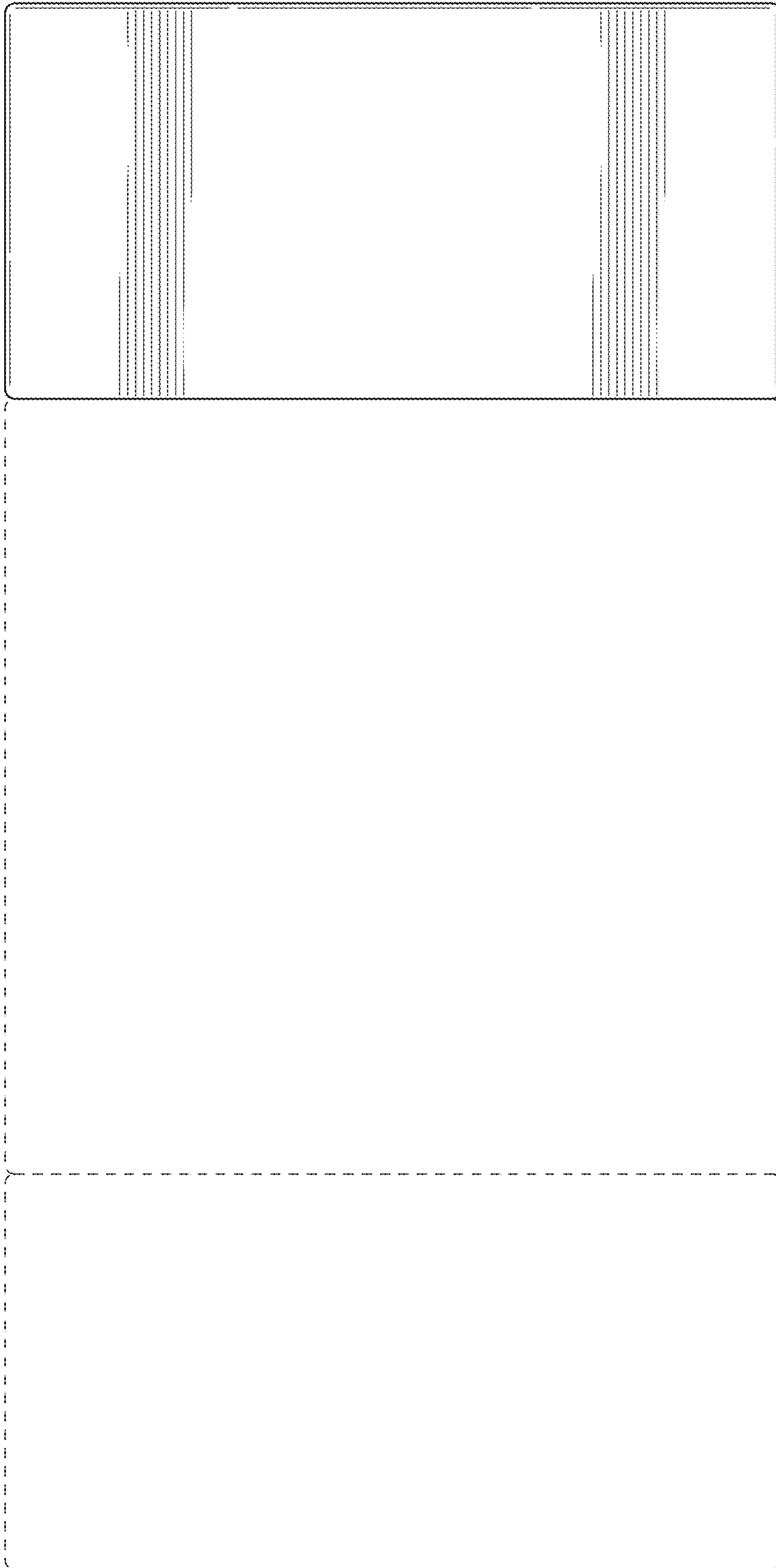


FIG. 7