



US00D805910S

(12) **United States Design Patent** (10) **Patent No.:** **US D805,910 S**
Luu et al. (45) **Date of Patent:** **** Dec. 26, 2017**

(54) **BOTTLE**
(71) Applicant: **LeChat**, Hercules, CA (US)
(72) Inventors: **Newton Luu**, Hercules, CA (US);
Christina Kleppe, Antioch, CA (US)
(73) Assignee: **LeChat**, Hercules, CA (US)
(**) Term: **15 Years**
(21) Appl. No.: **29/583,548**
(22) Filed: **Nov. 7, 2016**

Related U.S. Application Data

(62) Division of application No. 29/494,520, filed on Jun. 20, 2014, now Pat. No. Des. 770,901.
(51) **LOC (10) Cl.** **09-01**
(52) **U.S. Cl.**
USPC **D9/560; D9/574**
(58) **Field of Classification Search**
USPC D9/516, 447, 452, 454, 548, 560, 562,
D9/570, 573-574, 682, 715, 719, 723;
D4/116; D28/7, 76, 77, 88
CPC B65D 1/00; B65D 1/02; B65D 1/0223;
B65D 23/00; B65D 81/00; B65D 83/00;
B65D 2501/00; B65D 2501/0009; B65D
2501/0081; A45D 34/00; A45D 34/042;
A45D 34/045; A45D 34/046; A45D
34/048; A45D 34/06; A45D 2034/007;
A45D 40/0068; A45D 40/0075; A45D
40/26; A45D 40/262; A45D 40/264;
A45D 40/265

See application file for complete search history.

(56) **References Cited**

U.S. PATENT DOCUMENTS

D90,558 S	8/1933	Tricard	
D93,074 S	8/1934	Westlake	
D105,396 S	7/1937	McIntosh	
D270,331 S *	8/1983	Benson	D9/520
D271,565 S	11/1983	Slater	
D316,034 S	4/1991	DeGaetano	
D469,356 S	1/2003	Vo	
D471,108 S	3/2003	Calderone, Jr.	
D494,476 S	8/2004	Cwynar-Laska et al.	
7,311,457 B2	12/2007	Pink	
D561,027 S	2/2008	Nguyen	
D604,167 S	11/2009	Tran et al.	
D695,121 S	12/2013	Seo	
D701,124 S	3/2014	O'Hara	
D756,234 S *	5/2016	Orset	D9/560
D767,405 S *	9/2016	Orset	D9/453
D769,124 S *	10/2016	Wieland	D9/548
D770,284 S *	11/2016	Luu	D9/452
D770,285 S *	11/2016	Luu	D9/454
D770,295 S *	11/2016	Luu	D9/452
D770,901 S *	11/2016	Luu	D9/452

* cited by examiner

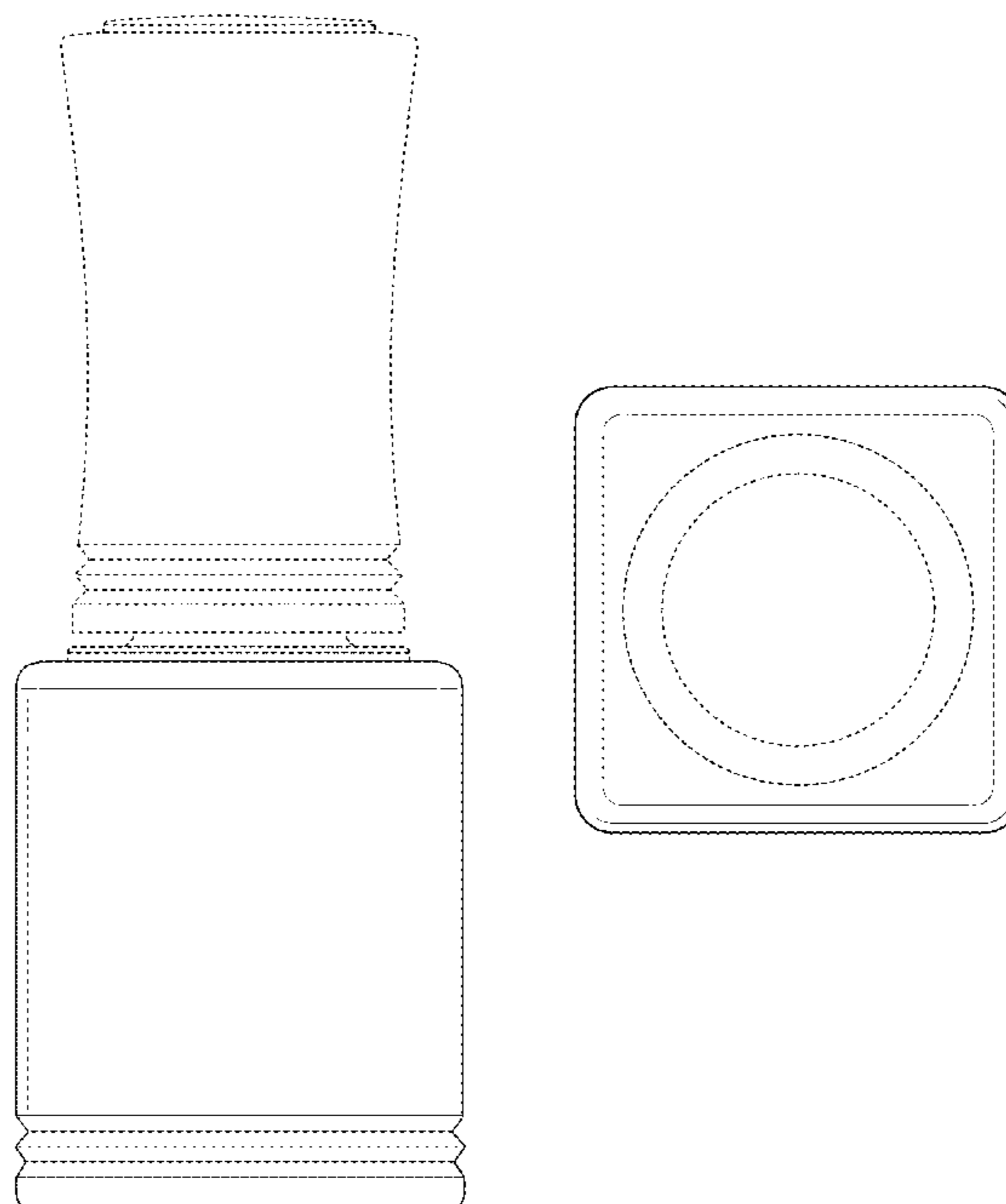
Primary Examiner — Dana L Meyrow
(74) *Attorney, Agent, or Firm* — Aka Chan LLP

(57) **CLAIM**
The ornamental design for a bottle, as shown and described.

DESCRIPTION

FIG. 1 shows a perspective view of a design for a bottle. FIG. 2 shows a side view of FIG. 1; and, FIG. 3 shows a top view of FIG. 1. The broken lines in the drawings illustrate the portions of the bottle that form no part of the claim.

1 Claim, 3 Drawing Sheets



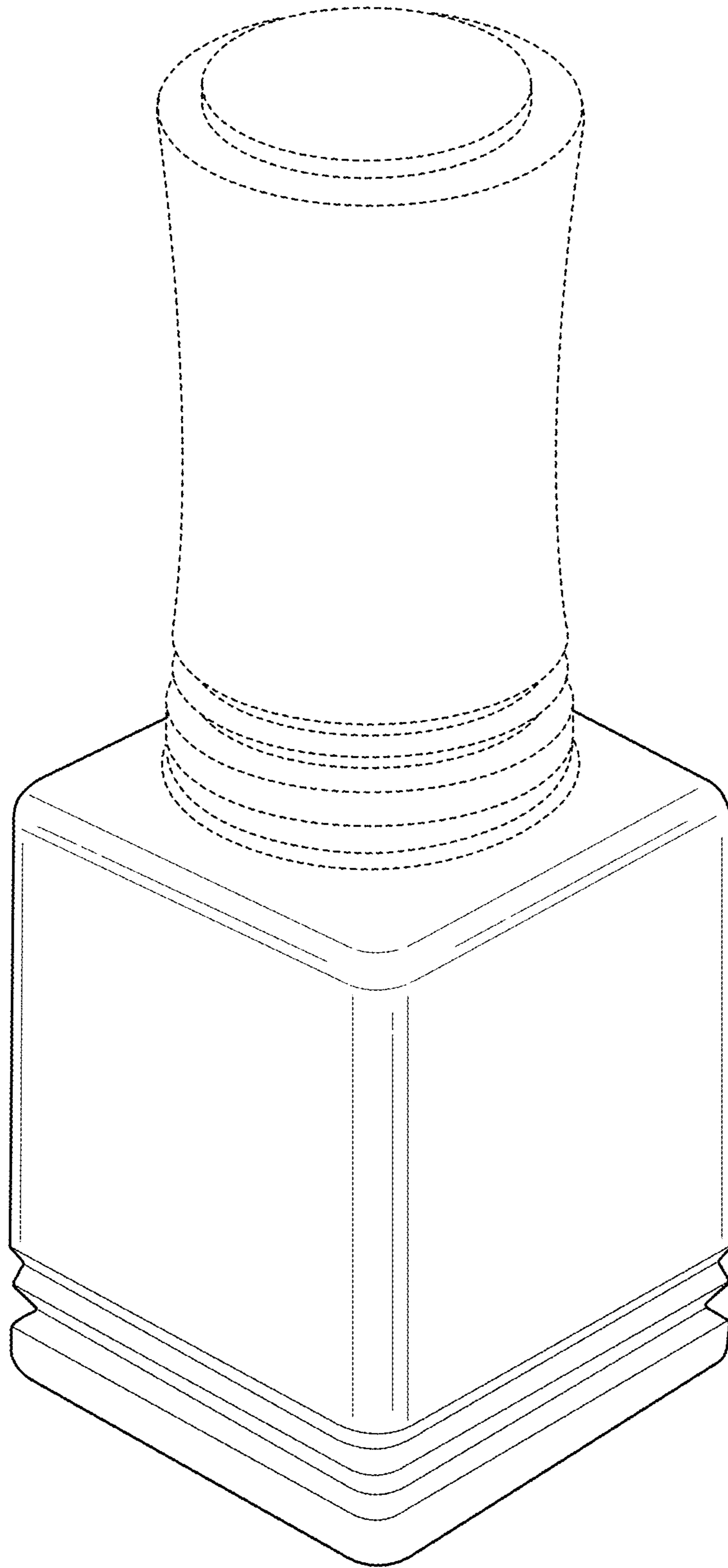


FIG. 1

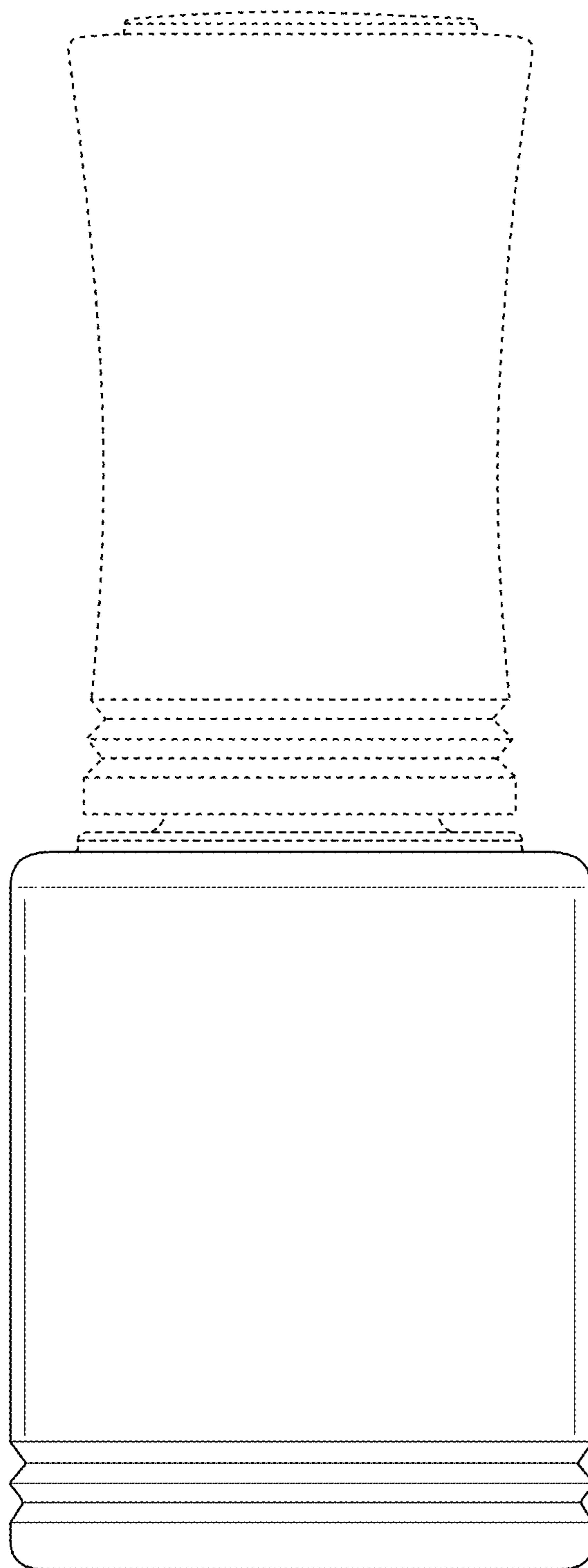


FIG. 2

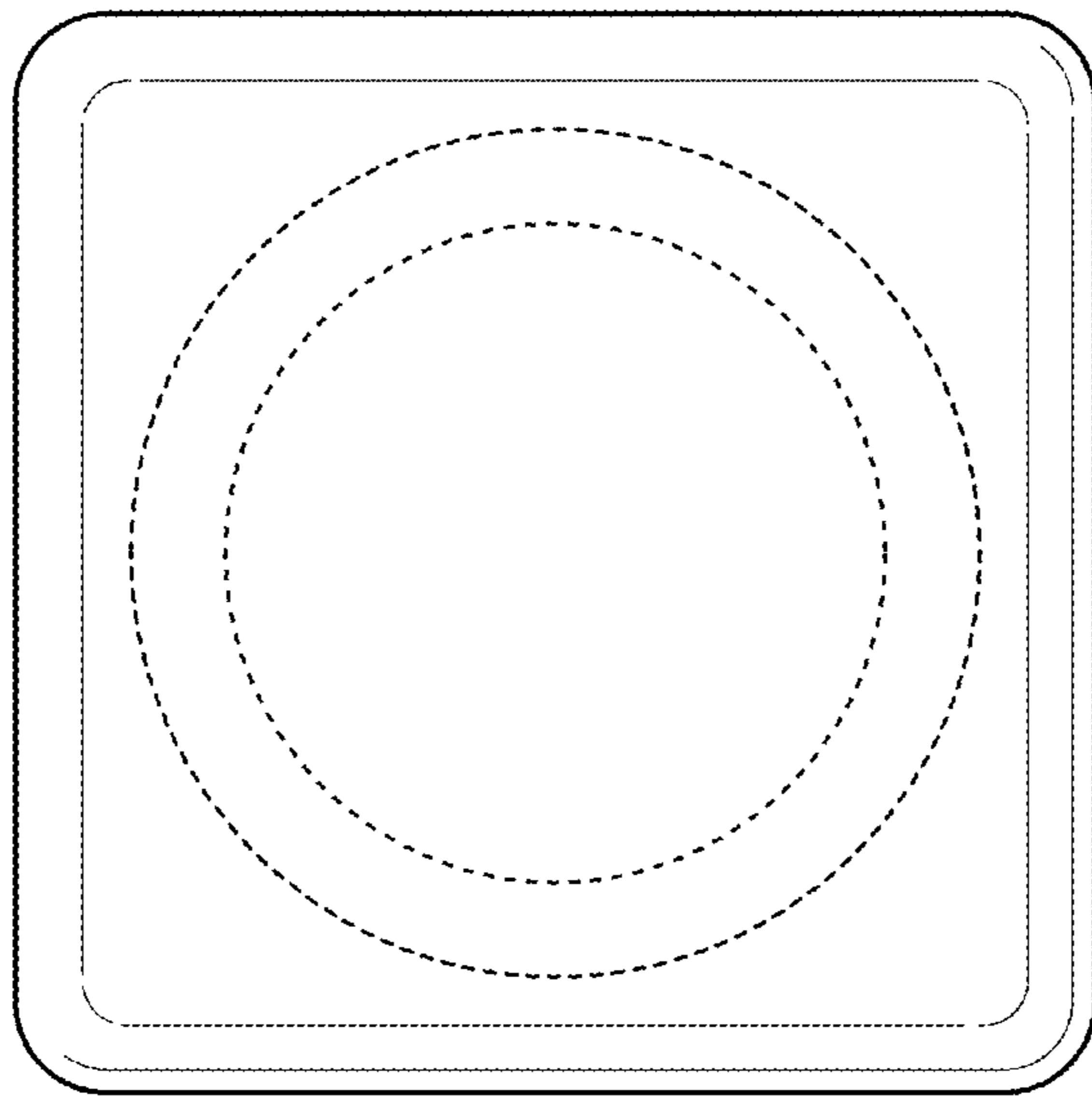


FIG. 3