



US00D805907S

(12) **United States Design Patent**
Robinson, II

(10) **Patent No.:** **US D805,907 S**

(45) **Date of Patent:** **** Dec. 26, 2017**

(54) **CONTAINER**

(71) Applicant: **COLGATE-PALMOLIVE COMPANY**, New York, NY (US)

(72) Inventor: **Michael Paul Robinson, II**, Brooklyn, NY (US)

(73) Assignee: **COLGATE-PALMOLIVE COMPANY**, New York, NY (US)

(**) Term: **15 Years**

(21) Appl. No.: **29/548,637**

(22) Filed: **Dec. 15, 2015**

(51) **LOC (10) Cl.** **09-01**

(52) **U.S. Cl.**
USPC **D9/522; D9/543; D9/692**

(58) **Field of Classification Search**
USPC D9/435, 446, 449, 453, 454, 516, 530, 531, 533, 543, 556, 557, 572, 575, 576, 577, 578, 579, 580, 581, 582, 583, 584, 585, 586, 587, 588, 589, 590, 591, 592, 593, 594, 595, 596, 597, 598, 599, 600, 601, 602, 603, 604, 605, 606, 607, 608, 609, 610, 611, 612, 613, 614, 615, 616, 617, 618, 619, 620, 621, 622, 623, 624, 625, 626, 627, 628, 629, 630, 631, 632, 633, 634, 635, 636, 637, 638, 639, 640, 641, 642, 643, 644, 645, 646, 647, 648, 649, 650, 651, 652, 653, 654, 655, 656, 657, 658, 659, 660, 661, 662, 663, 664, 665, 666, 667, 668, 669, 670, 671, 672, 673, 674, 675, 676, 677, 678, 679, 680, 681, 682, 683, 684, 685, 686, 687, 688, 689, 690, 691, 692, 693, 694, 695, 696, 697, 698, 699, 700, 701, 702, 703, 704, 705, 706, 707, 708, 709, 710, 711, 712, 713, 714, 715, 716, 717, 718, 719, 720, 721, 722, 723, 724, 725, 726, 727, 728, 729, 730, 731, 732, 733, 734, 735, 736, 737, 738, 739, 740, 741, 742, 743, 744, 745, 746, 747, 748, 749, 750, 751, 752, 753, 754, 755, 756, 757, 758, 759, 760, 761, 762, 763, 764, 765, 766, 767, 768, 769, 770, 771, 772, 773, 774, 775, 776, 777, 778, 779, 780, 781, 782, 783, 784, 785, 786, 787, 788, 789, 790, 791, 792, 793, 794, 795, 796, 797, 798, 799, 800, 801, 802, 803, 804, 805, 806, 807, 808, 809, 810, 811, 812, 813, 814, 815, 816, 817, 818, 819, 820, 821, 822, 823, 824, 825, 826, 827, 828, 829, 830, 831, 832, 833, 834, 835, 836, 837, 838, 839, 840, 841, 842, 843, 844, 845, 846, 847, 848, 849, 850, 851, 852, 853, 854, 855, 856, 857, 858, 859, 860, 861, 862, 863, 864, 865, 866, 867, 868, 869, 870, 871, 872, 873, 874, 875, 876, 877, 878, 879, 880, 881, 882, 883, 884, 885, 886, 887, 888, 889, 890, 891, 892, 893, 894, 895, 896, 897, 898, 899, 900, 901, 902, 903, 904, 905, 906, 907, 908, 909, 910, 911, 912, 913, 914, 915, 916, 917, 918, 919, 920, 921, 922, 923, 924, 925, 926, 927, 928, 929, 930, 931, 932, 933, 934, 935, 936, 937, 938, 939, 940, 941, 942, 943, 944, 945, 946, 947, 948, 949, 950, 951, 952, 953, 954, 955, 956, 957, 958, 959, 960, 961, 962, 963, 964, 965, 966, 967, 968, 969, 970, 971, 972, 973, 974, 975, 976, 977, 978, 979, 980, 981, 982, 983, 984, 985, 986, 987, 988, 989, 990, 991, 992, 993, 994, 995, 996, 997, 998, 999, 1000
CPC . B65D 85/00; B65D 1/12; B65D 1/18; B65D 1/20; B65D 21/0237

See application file for complete search history.

(56) **References Cited**

U.S. PATENT DOCUMENTS

D80,777 S *	3/1930	Carr	D9/556
D221,619 S	8/1971	Horne et al.		
D300,208 S	3/1989	Vazquez et al.		
D305,980 S *	2/1990	Binder	D7/300
D334,713 S	4/1993	Segati		
D383,070 S	9/1997	Workman et al.		
D419,864 S *	2/2000	Kuzma	D9/556
D462,273 S	9/2002	Crawford		
D470,775 S	2/2003	Zaksenberg et al.		
D482,625 S	11/2003	Crawford et al.		
D545,683 S	7/2007	Wong et al.		
D558,053 S	12/2007	Lake et al.		

D565,415 S *	4/2008	Lablaine	D9/531
D600,129 S *	9/2009	Lepoitevin	D9/453
D617,201 S *	6/2010	Holmes	D9/541
D619,461 S	7/2010	Cummings et al.		
D622,595 S *	8/2010	Rousselet	D9/526
D624,423 S	9/2010	Kissinger et al.		
D643,732 S	8/2011	Cummings et al.		
D643,738 S	8/2011	Cummings et al.		
D645,757 S *	9/2011	Milhem	D9/543
D650,284 S	12/2011	Schriner et al.		
D650,687 S *	12/2011	Schriner	D9/530
D651,093 S	12/2011	Van Rens		
D679,142 S *	4/2013	Allen	D7/510
D679,189 S *	4/2013	Miiller	D9/523

(Continued)

FOREIGN PATENT DOCUMENTS

AU	340040	10/2011
BR	DI6503013-3	8/2005

(Continued)

Primary Examiner — Ian Simmons
Assistant Examiner — Keith Frank

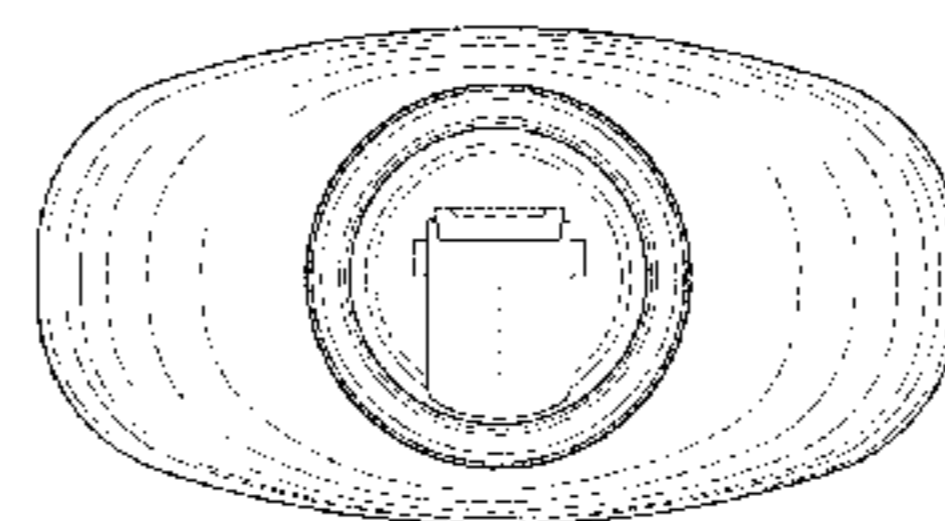
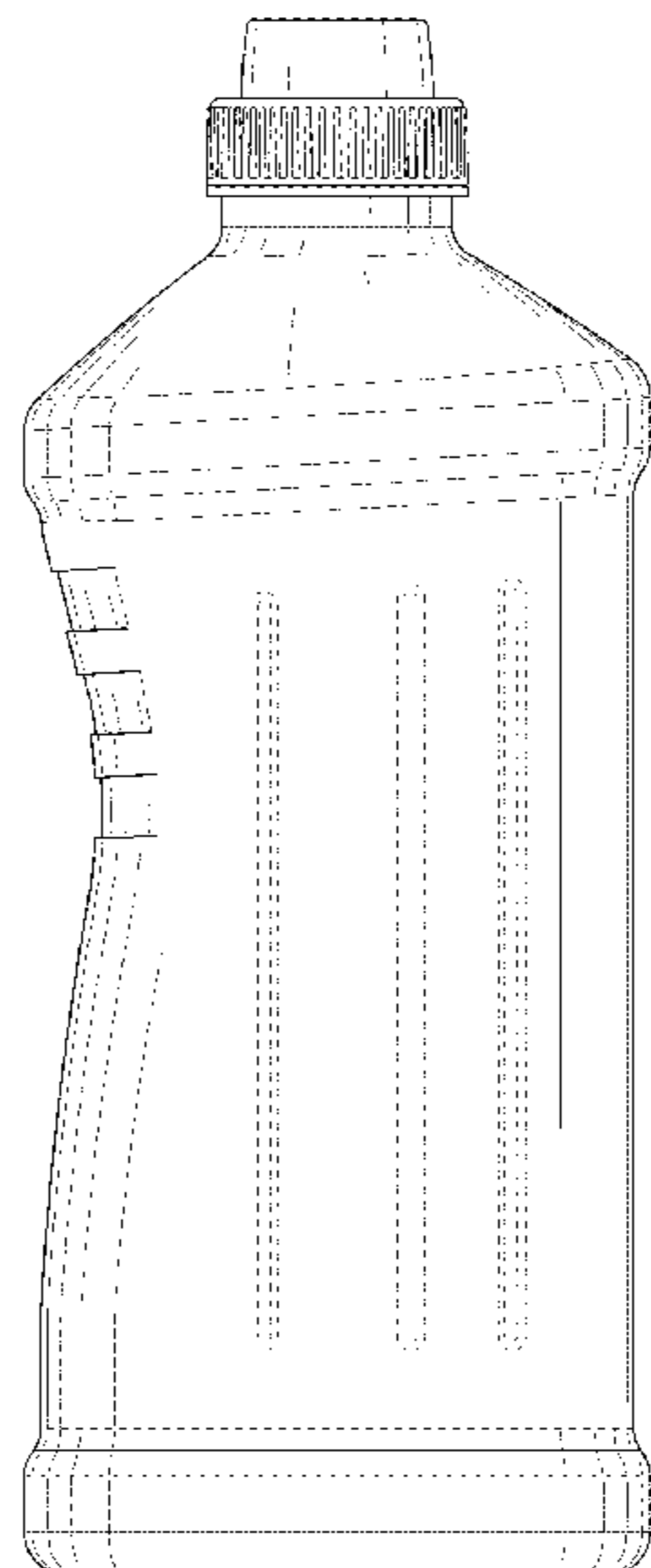
(57) **CLAIM**

The ornamental design for a container, as shown and described.

DESCRIPTION

FIG. 1 is a right front perspective view of a container according to the new design;
FIG. 2 is a front elevational view thereof;
FIG. 3 is a rear elevational view thereof;
FIG. 4 is a right side elevational view thereof;
FIG. 5 is a left side elevational view thereof;
FIG. 6 is a top plan view thereof; and,
FIG. 7 is a bottom plan view thereof.
The broken lines shown in the drawings illustrate the portions of the container that form no part of the claimed design.

1 Claim, 5 Drawing Sheets



(56)

References Cited

U.S. PATENT DOCUMENTS

D691,053	S	*	10/2013	Garcia	D9/543
D739,748	S	*	9/2015	Van Wetten	D9/449
D740,673	S		10/2015	Corradini et al.		
D758,877	S		6/2016	Vaughn-Batiz		
D770,902	S		11/2016	Vaughn-Batiz		
2006/0283888	A1		12/2006	Kinscherf et al.		
2012/0103929	A1		5/2012	Fontana		

FOREIGN PATENT DOCUMENTS

BR	DI6805345-2	12/2008
BR	DI6805414-9	12/2008
BR	DI7004492-9	9/2010
BR	302012004064-7	8/2012
BR	302012005237-8	10/2012
CN	301401276	12/2010
CN	301543911	5/2011
CN	302131934	10/2012
CN	302229561	12/2012
CN	302834185	6/2014
CN	303674872	5/2016
EM	002021030-001	4/2012
EP	001049910-0003	12/2008
EP	001049910-0004	12/2008
EP	001049910-0005	12/2008
EP	001808833-0001	1/2011
EP	001808833-0002	1/2011
EP	PT3365-0001	9/2013
MX	PA/f/2005/001212	8/2005
MX	31261	10/2008
MX	MX/f/2011/000645	2/2011

* cited by examiner

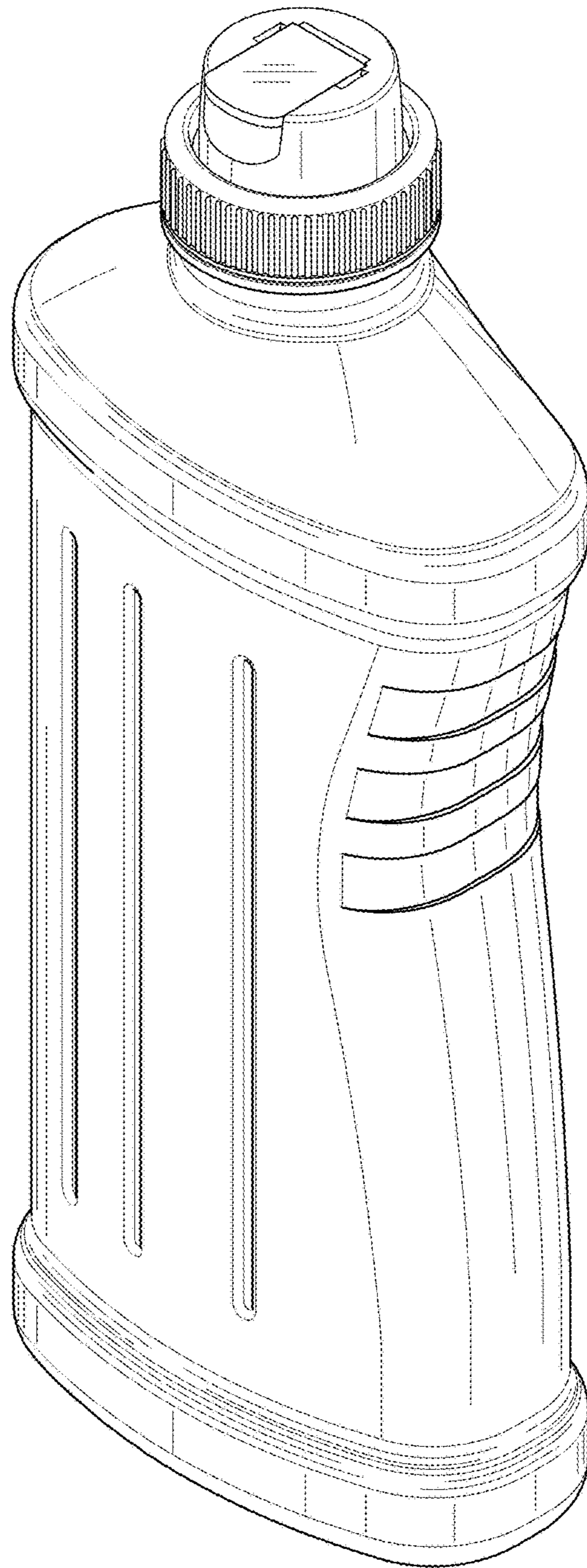


FIG. 1

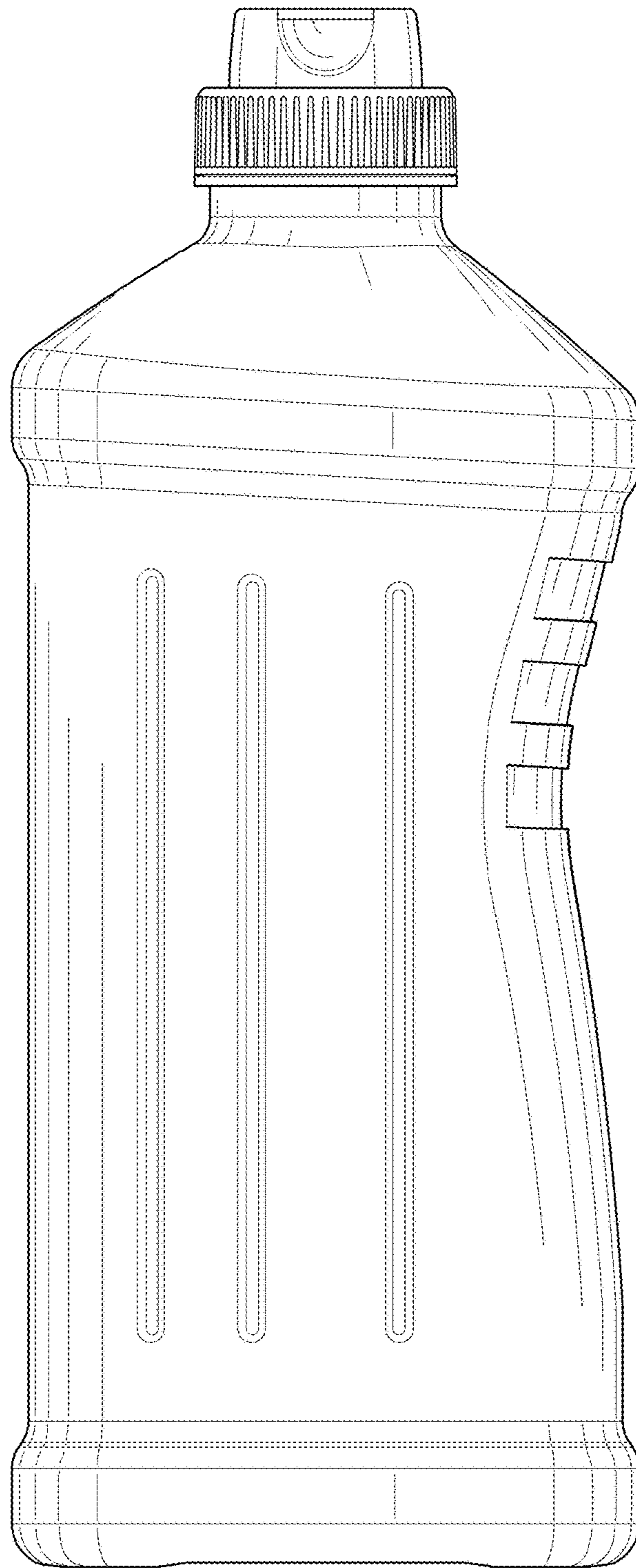


FIG. 2

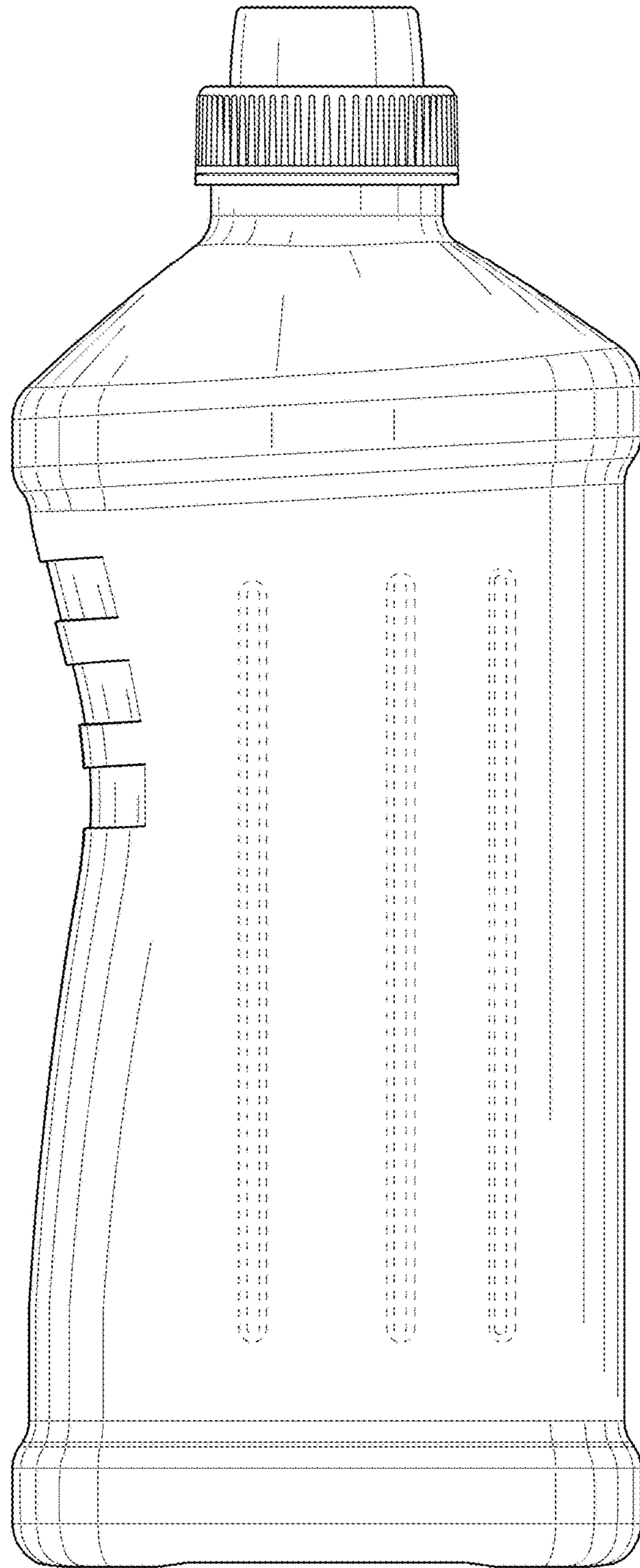


FIG. 3

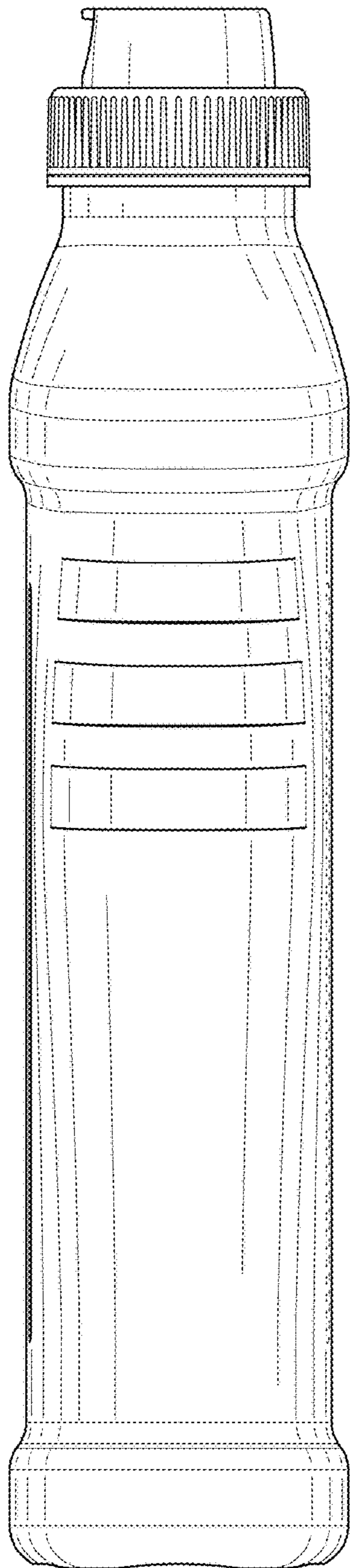


FIG. 4

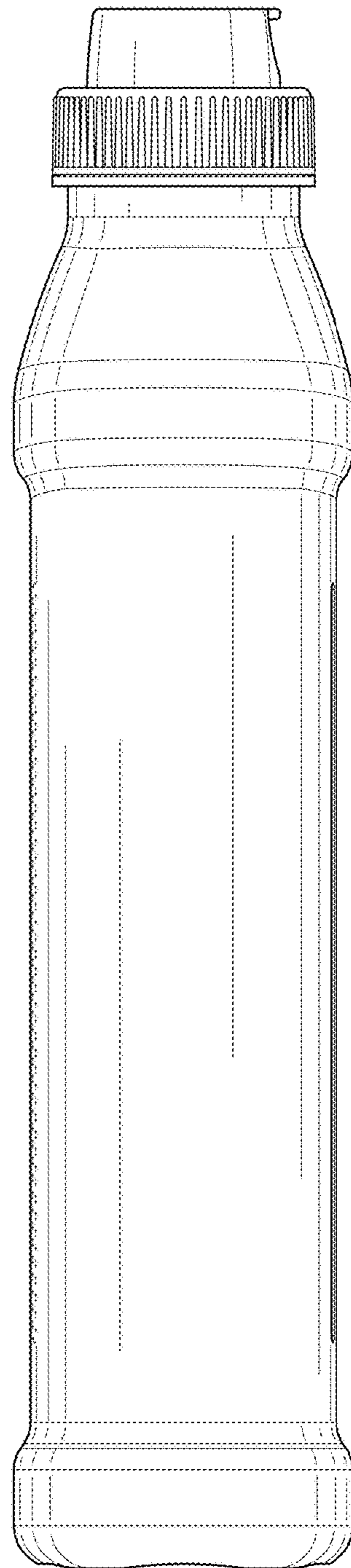


FIG. 5

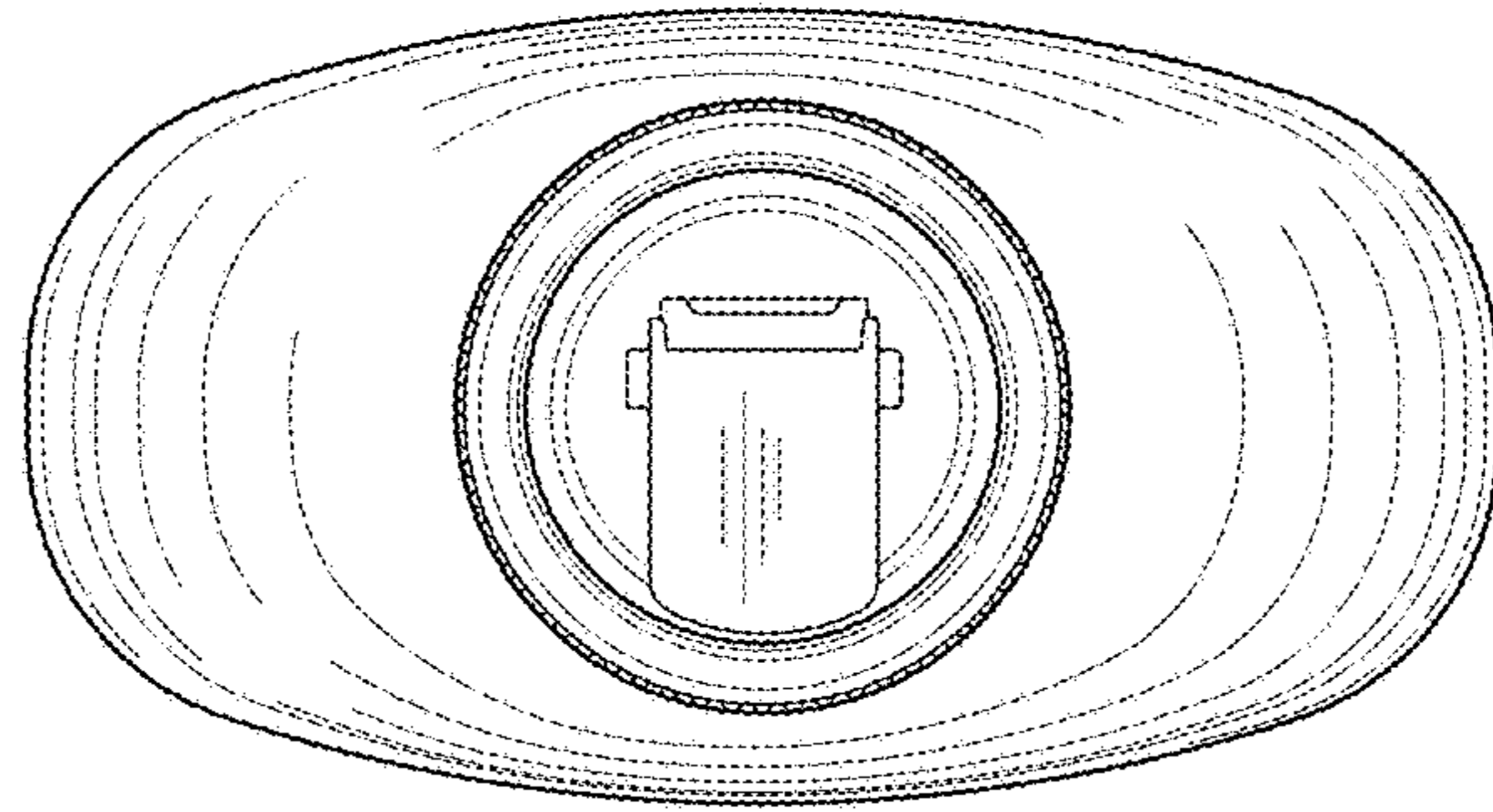


FIG. 6

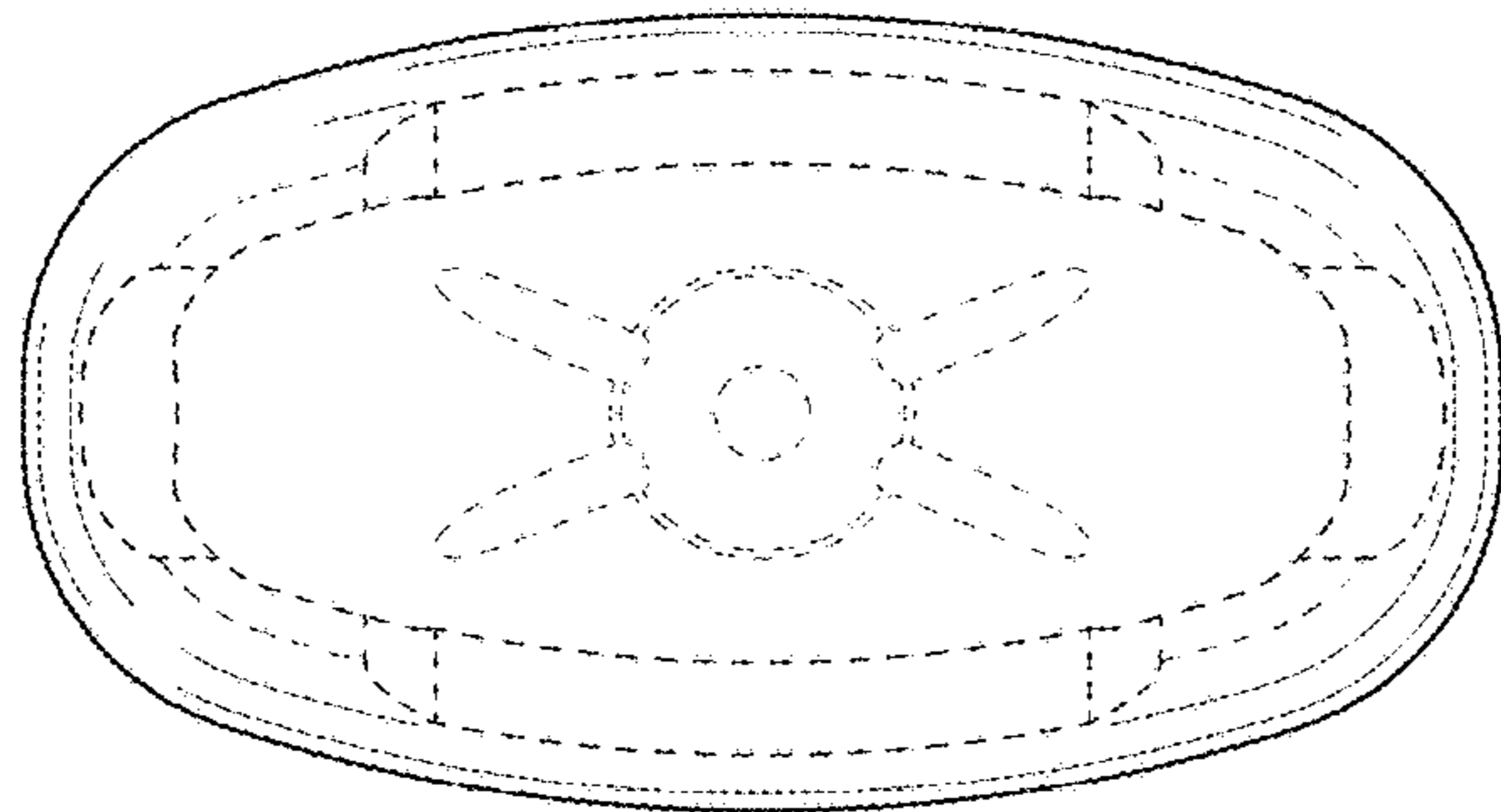


FIG. 7