



US00D805899S

(12) **United States Design Patent** (10) **Patent No.:** **US D805,899 S**  
**Marantis et al.** (45) **Date of Patent:** **\*\* Dec. 26, 2017**

- (54) **STOPPER FOR BOTTLE**
- (71) Applicant: **CORNERSTONE CM, INC.**, Munster, IN (US)
- (72) Inventors: **Michael G. Marantis**, Poland, OH (US); **Joshua W. Hubbard**, New Milford, CT (US); **Jonathan P. Richards**, Derby, CT (US); **Richard A. Ponton**, New Milford, CT (US)
- (73) Assignee: **CORNERSTONE CM, INC.**, Poland, OH (US)
- (\*\*) Term: **15 Years**
- (21) Appl. No.: **29/570,107**
- (22) Filed: **Jul. 5, 2016**

**Related U.S. Application Data**

- (63) Continuation of application No. 14/540,477, filed on Nov. 13, 2014, now Pat. No. 9,517,922, and a continuation-in-part of application No. 29/509,028, filed on Nov. 13, 2014, now Pat. No. Des. 763,691.
  - (51) **LOC (10) Cl.** ..... **09-07**
  - (52) **U.S. Cl.**  
USPC ..... **D9/439**
  - (58) **Field of Classification Search**  
USPC ..... D3/202, 203.1, 203.2, 273, 275, 294, D3/318; D7/216, 300, 300.1, 317, 387, D7/391, 392.1, 393, 396.2, 509, 510, 511, D7/523, 525-531, 538, 541, 549, 629, D7/703, 900; D8/349, 350, 352; D34/1, D34/7, 10, 11, 39; D28/7, 76, 78, 82, 85, D28/91; D19/115, 162, 163, 165, 192, D19/194; D24/112, 121, 127, 199, 224; D26/36, 123, 124; D23/259, 260  
CPC ..... B65D 50/041; B65D 23/00; B65D 1/00; B65D 1/0009; B65D 83/06; A47G 18/22; A47G 18/23
- See application file for complete search history.

- (56) **References Cited**
- U.S. PATENT DOCUMENTS

1,189,465 A	7/1916	Mayo	
2,276,421 A	3/1942	Colin	
2,911,123 A	11/1959	Saccomanno	
3,088,615 A	5/1963	Wheaton	
D217,850 S	6/1970	Nelson	
3,965,902 A	6/1976	Kelly	
4,376,439 A	3/1983	Lauterjung	
D328,033 S *	7/1992	DiGuiseppi	D9/435
5,188,622 A	2/1993	Muller	
D349,648 S *	8/1994	Tirrell	D9/439
D359,683 S *	6/1995	Beach	D9/434
D374,376 S	10/1996	Goins	
D400,429 S *	11/1998	Morita	D11/220

(Continued)

**FOREIGN PATENT DOCUMENTS**

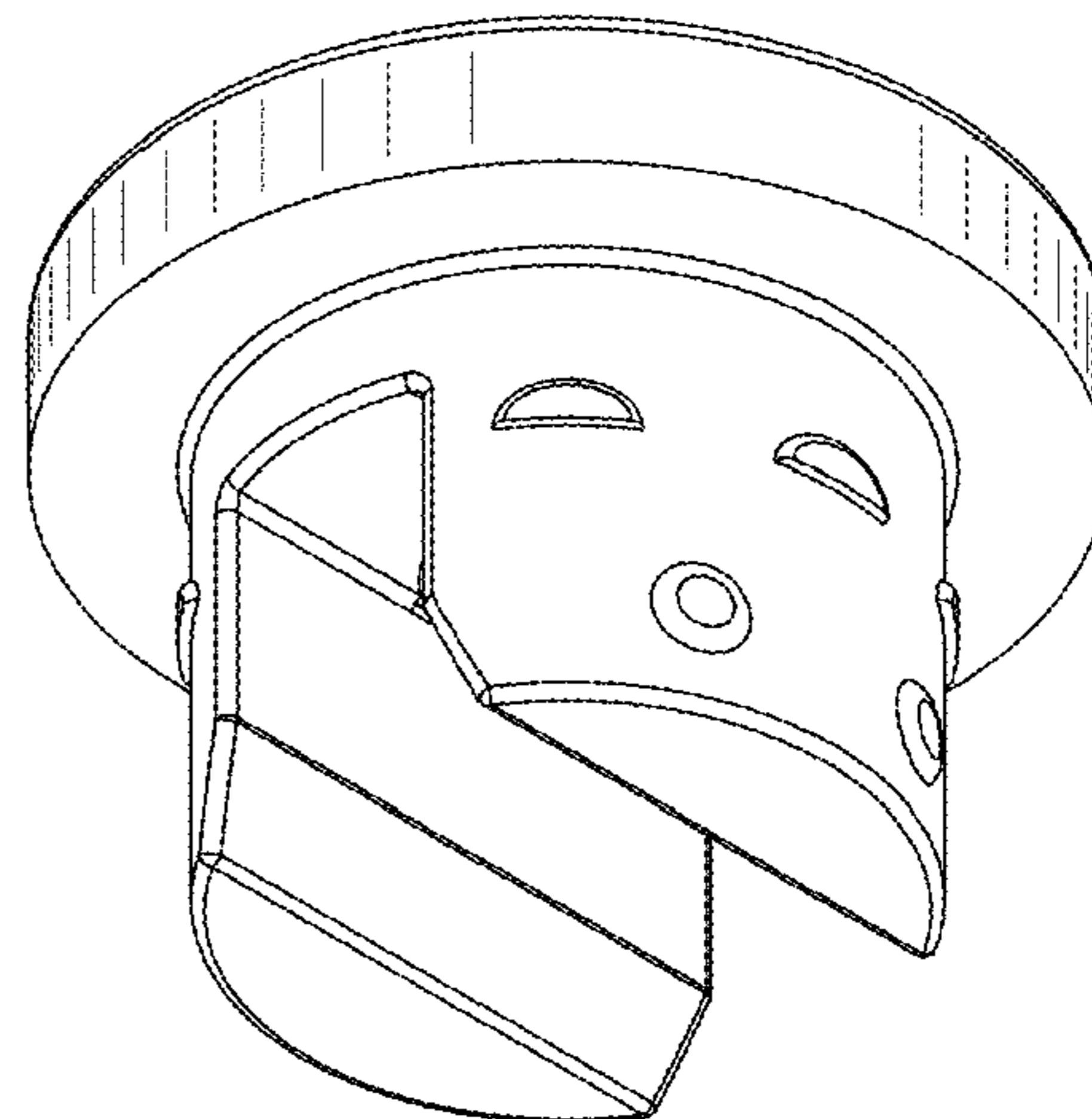
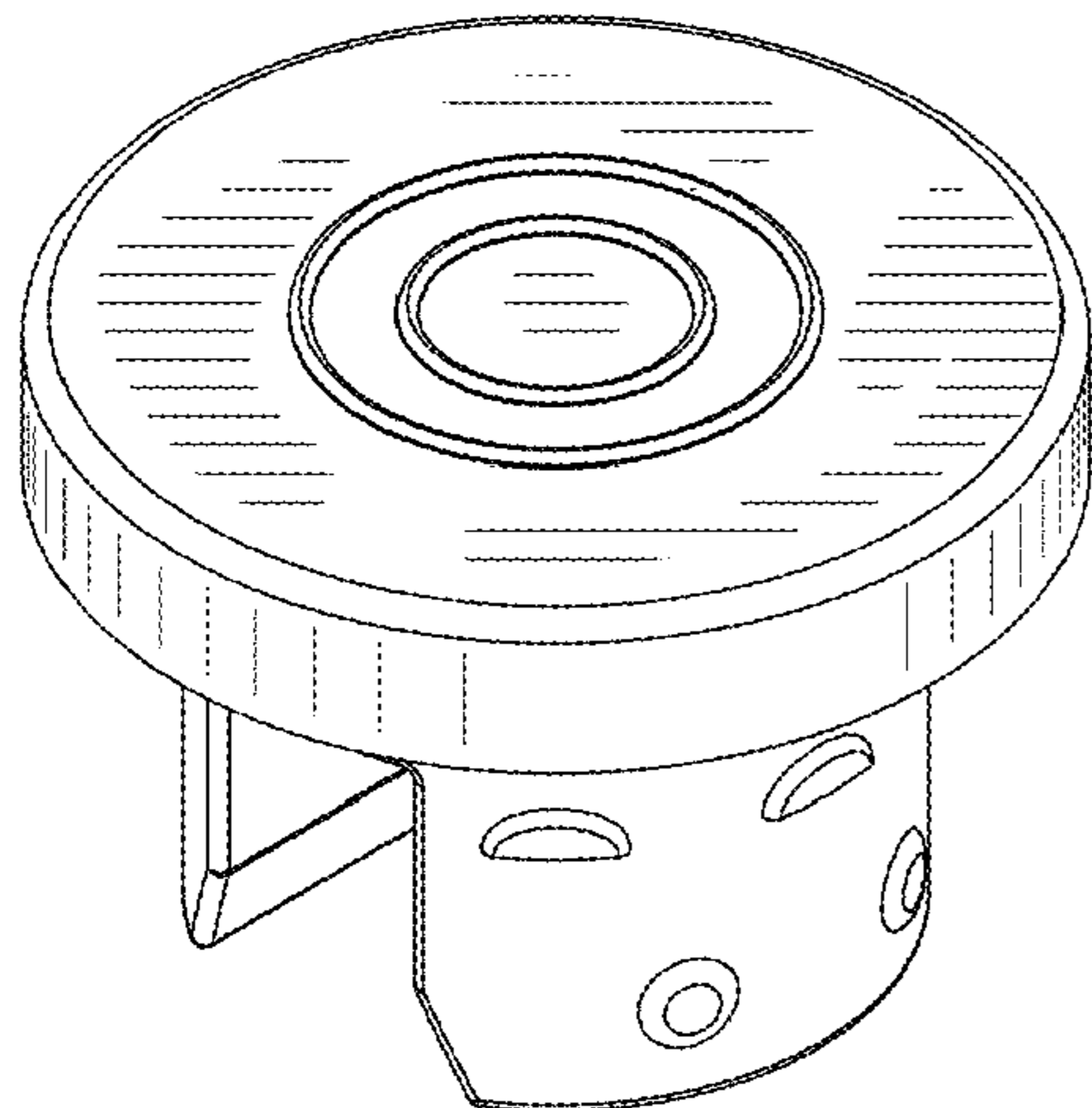
- RO 019508-0001 \* 9/2010
- Primary Examiner* — Thomas Johannes
- Assistant Examiner* — Catherine Posthauer
- (74) *Attorney, Agent, or Firm* — Tucker Ellis LLP; Carlos Garritano

- (57) **CLAIM**
- The ornamental design for a stopper for bottle, as shown and described.

**DESCRIPTION**

FIG. 1 is a top perspective view of a stopper for bottle showing our new design;  
 FIG. 2 is a bottom perspective view of the stopper for bottle thereof;  
 FIG. 3 is a left side view thereof, with the right side being a mirror image thereof; and,  
 FIG. 4 is a front view thereof, with the rear view being a mirror image thereof.

**1 Claim, 1 Drawing Sheet**



(56)

References Cited

U.S. PATENT DOCUMENTS

5,845,797	A *	12/1998	Sudo .....	B65D 39/00 215/247	D673,852	S	1/2013	Wood	
5,895,383	A	4/1999	Niedospial, Jr.		D673,854	S	1/2013	James	
5,902,298	A	5/1999	Niedospial, Jr.		D680,369	S	4/2013	Starks	
5,921,419	A	7/1999	Niedospial, Jr.		D682,610	S	5/2013	Carder	
5,960,837	A	10/1999	Cude		D686,339	S *	7/2013	Shima .....	D24/224
5,971,181	A	10/1999	Niedospial, Jr.		8,495,854	B2	7/2013	Seidita	
D472,471	S	4/2003	McClure		D688,128	S	8/2013	Krause	
D489,992	S	5/2004	Brauner		D688,129	S	8/2013	Krause	
6,981,602	B2	1/2006	Ma		D688,945	S *	9/2013	Kim .....	D9/452
D520,363	S	5/2006	Perez		D694,110	S	11/2013	Tanner	
7,048,724	B2	5/2006	Grossman		D700,473	S *	3/2014	Duvigneau .....	D7/391
7,153,294	B1	12/2006	Farrow		D701,459	S *	3/2014	Ghosh .....	D24/231
7,178,683	B2	2/2007	Birkmayer		8,695,821	B2	4/2014	Bashyam	
D553,717	S *	10/2007	Nicholson .....	D23/260	D708,945	S *	7/2014	Jetmar .....	D9/439
D604,120	S *	11/2009	Curtin .....	D7/629	D716,653	S	11/2014	Balembois	
D619,003	S	7/2010	Benoit-Gonin		D723,370	S	3/2015	Medlin	
D619,004	S	7/2010	Fallat		D723,919	S	3/2015	Taber	
D620,362	S	7/2010	Boukobza		D727,152	S	4/2015	Yaseen	
7,799,009	B2	9/2010	Niedospial, Jr.		D729,063	S *	5/2015	Koop .....	D9/439
7,874,441	B2	1/2011	Bloom		D731,312	S *	6/2015	Shimizu .....	D9/439
D632,958	S	2/2011	Fuchs		D733,493	S *	7/2015	Barberi .....	D7/393
D634,200	S	3/2011	Taber		D736,625	S	8/2015	Laureano	
D634,633	S	3/2011	Moreau		D762,825	S *	8/2016	Walker .....	D23/259
D644,104	S *	8/2011	Maeda .....	D9/439	D787,025	S *	5/2017	Taylor .....	D23/260
D646,762	S *	10/2011	Terry .....	D23/259	D788,315	S *	5/2017	Matsuura .....	D24/224
					2003/0208165	A1	11/2003	Christensen	
					2006/0000793	A1	1/2006	Mavin	
					2010/0270260	A1	10/2010	Jung	
					2011/0114593	A1	5/2011	Ishii	

\* cited by examiner

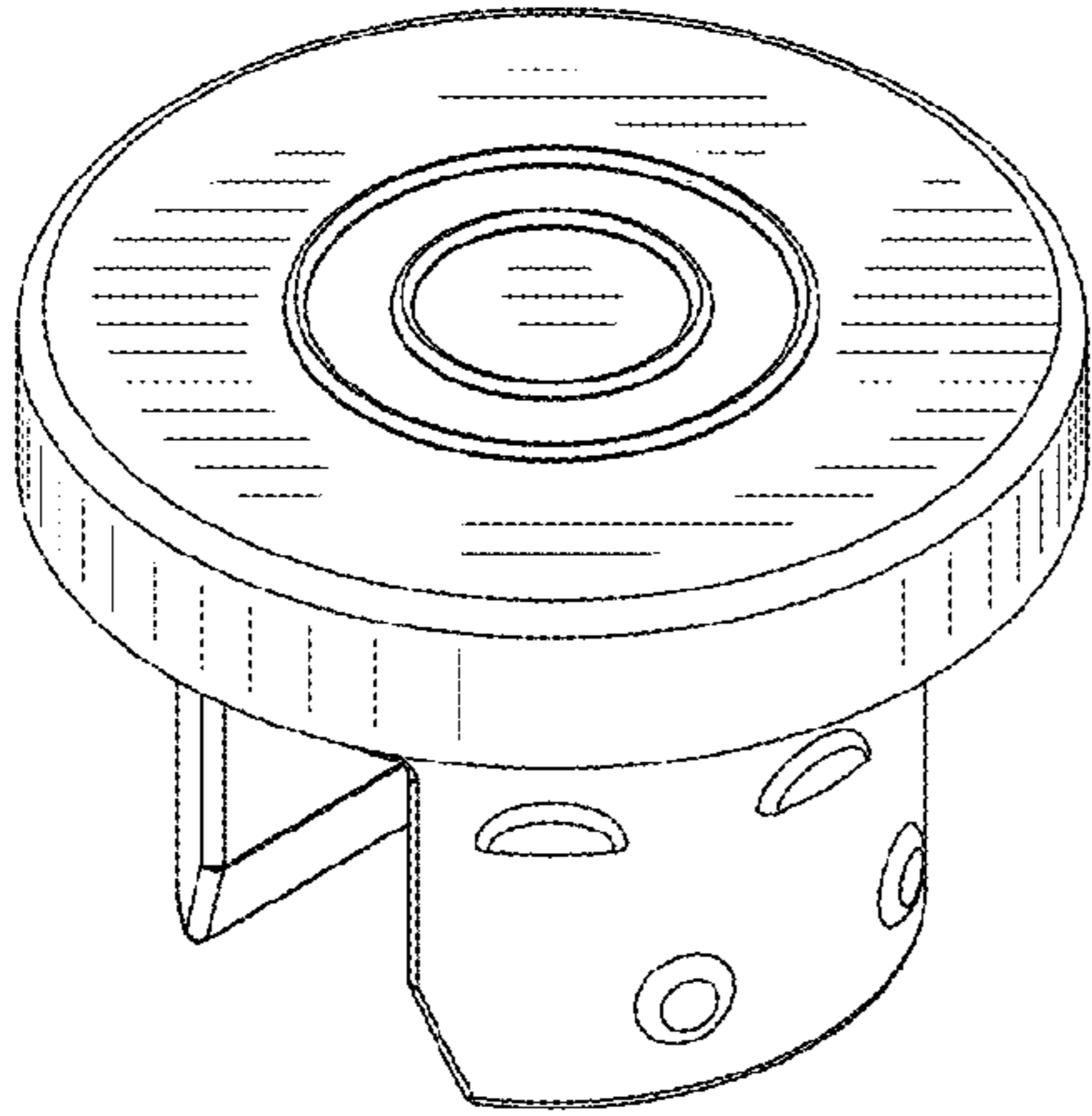


FIG. 1

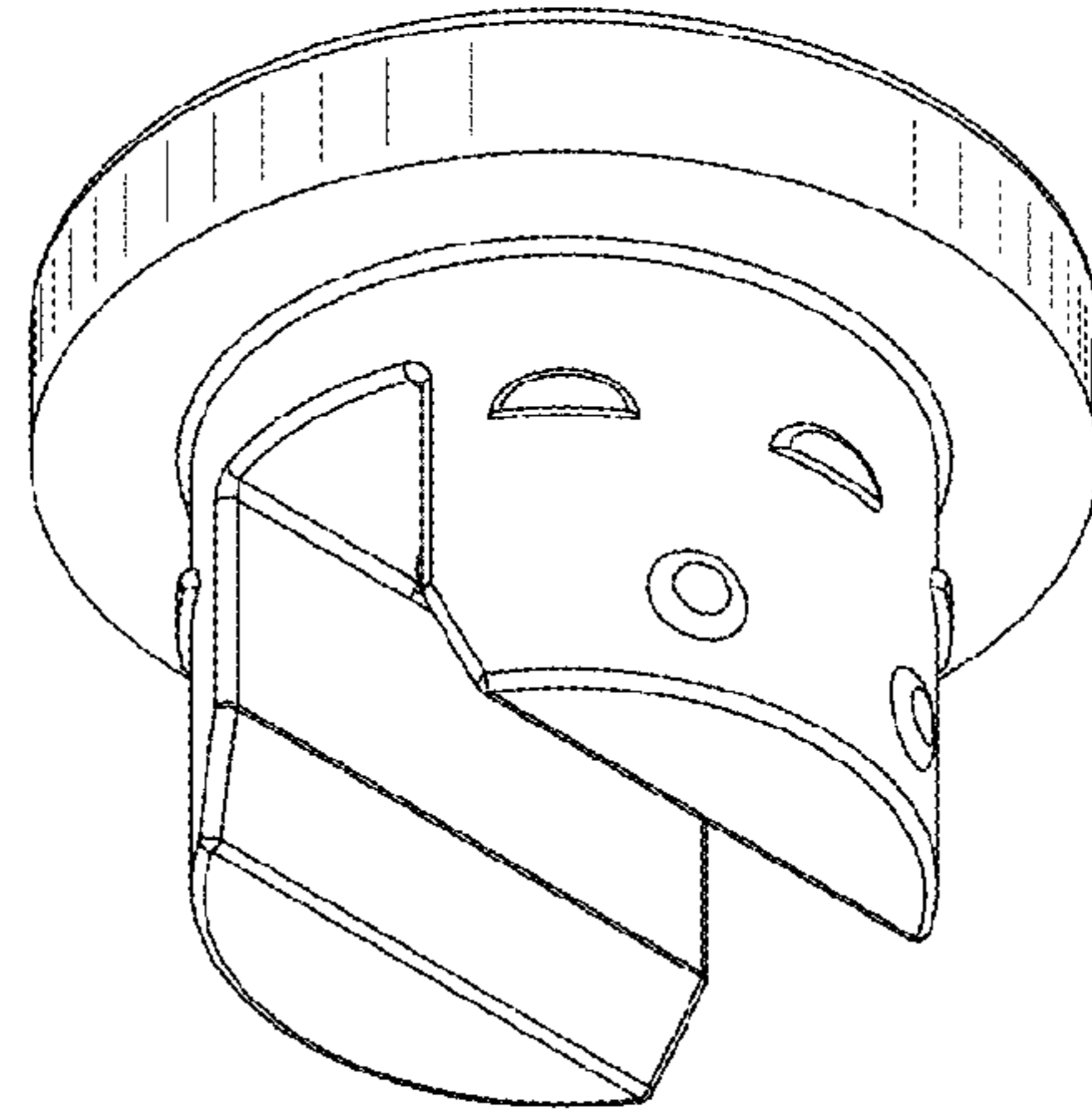


FIG. 2

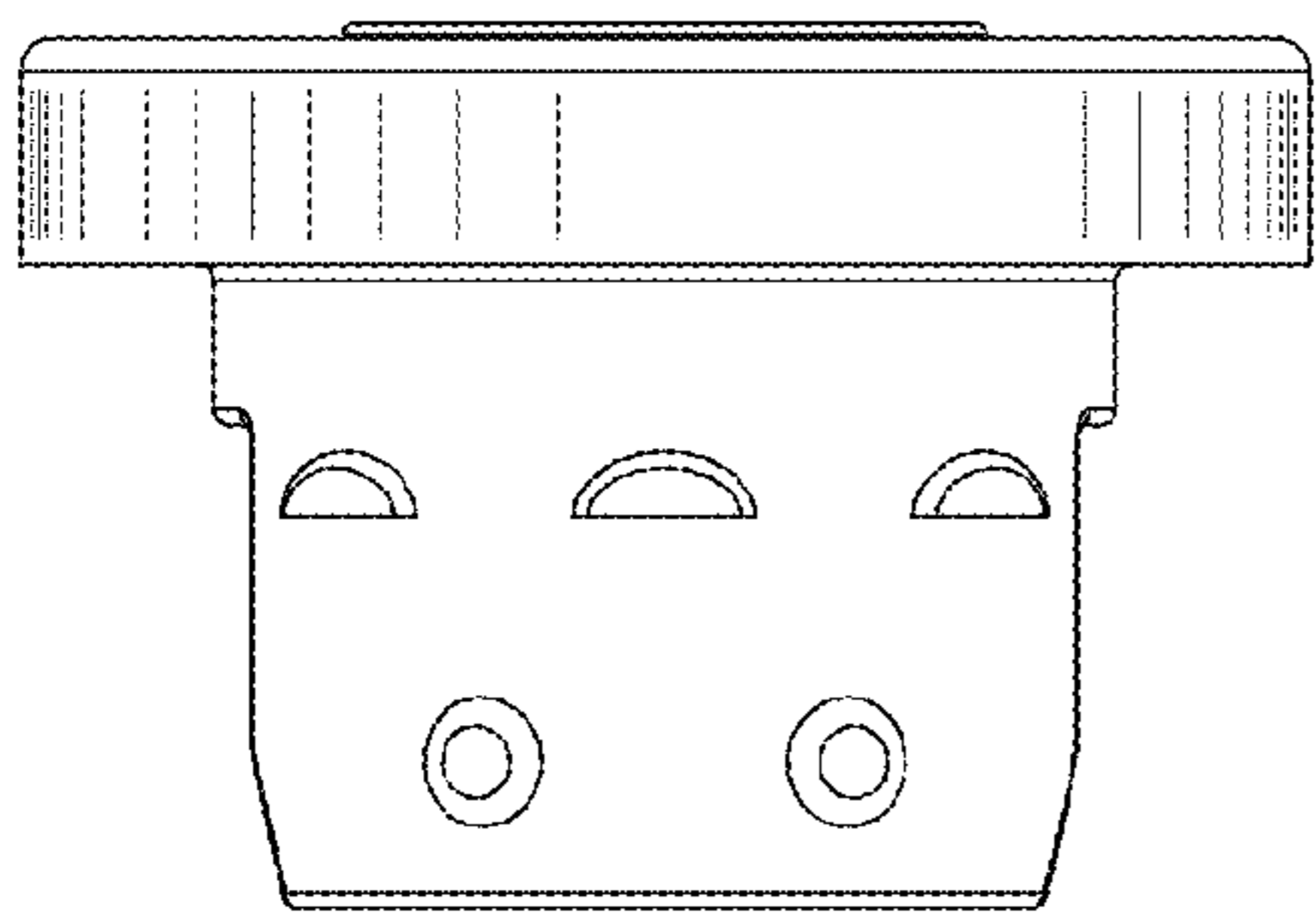


FIG. 3

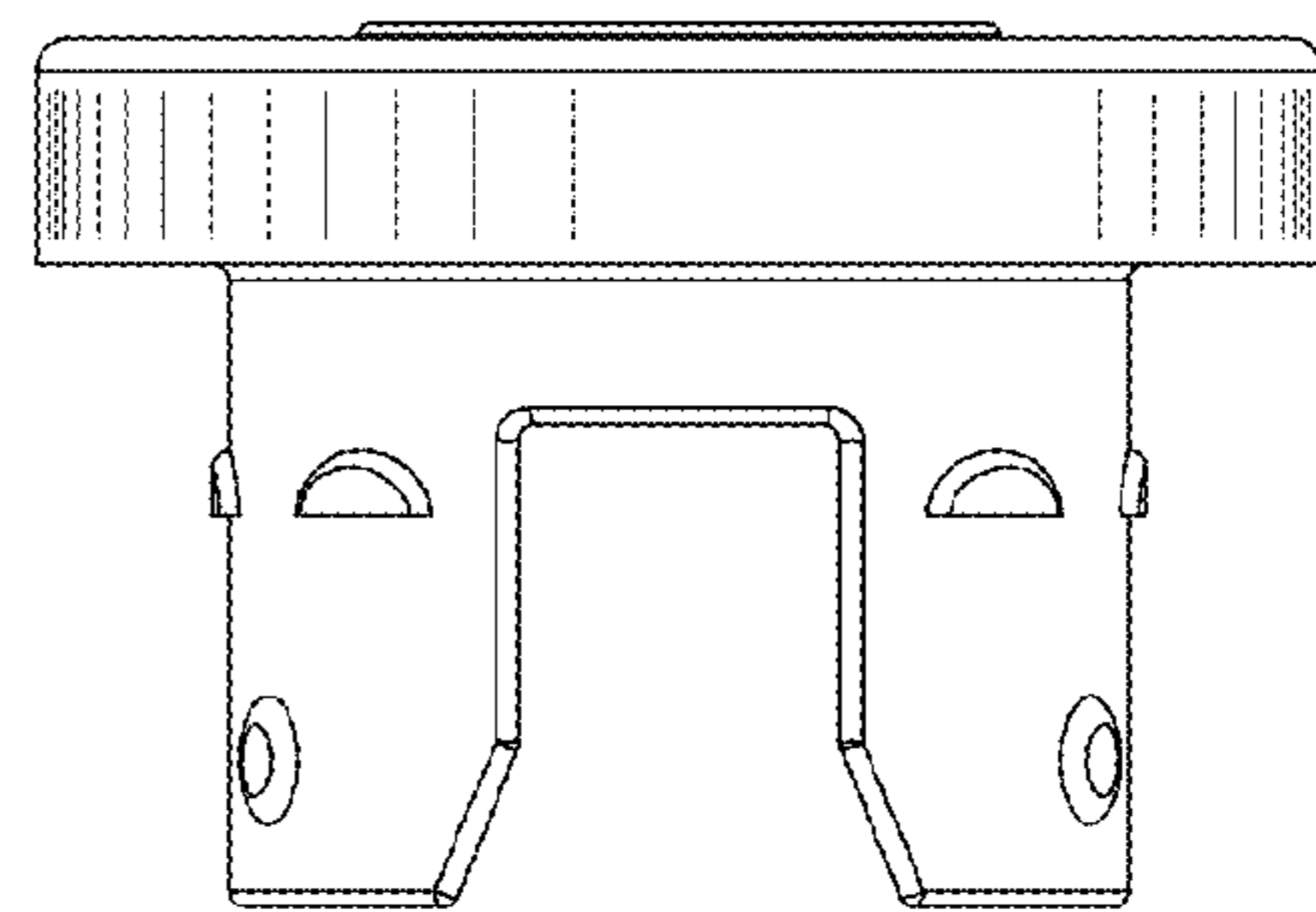


FIG. 4