



US00D805894S

(12) **United States Design Patent** (10) **Patent No.:** **US D805,894 S**  
**Lee** (45) **Date of Patent:** **\*\* Dec. 26, 2017**

(54) **TAPERED BOX**  
(71) Applicant: **United States Postal Service,**  
Washington, DC (US)  
(72) Inventor: **Jim E. Lee,** Washington, DC (US)  
(73) Assignee: **United States Postal Service,**  
Washington, DC (US)  
(\*\*) Term: **15 Years**  
(21) Appl. No.: **29/568,266**  
(22) Filed: **Jun. 16, 2016**  
(51) **LOC (10) Cl.** ..... **09-03**  
(52) **U.S. Cl.**  
USPC ..... **D9/431; D9/432; D9/433**  
(58) **Field of Classification Search**  
USPC ..... D9/414-434, 442-445, 456, 457, 542,  
D9/563, 600, 614-624, 655, 657, 658,  
D9/661, 685, 695, 697-699, 707, 708,  
D9/711, 754, 759, 772-776; D3/273,  
D3/276, 304, 305, 307, 309-313;  
D7/601, 602, 709; D19/75, 90  
CPC ..... B65D 5/00; B65D 5/001; B65D 5/0015;  
B65D 5/0227-5/0254; B65D 5/18; B65D  
5/6605; B65D 5/48024; B65B 5/06  
See application file for complete search history.

3,849,224 A 11/1974 Hintz et al.  
3,866,745 A 2/1975 Dlugopolski  
4,088,262 A 5/1978 Kuehlhorn  
4,101,022 A 7/1978 Watkins  
(Continued)

**FOREIGN PATENT DOCUMENTS**

EP 1876103 A1 1/2008  
GB 2077703 A 12/1981  
GB 2085409 A 4/1982

*Primary Examiner* — Vy N Koenig  
*Assistant Examiner* — Omeed Agilee  
(74) *Attorney, Agent, or Firm* — Knobbe Martens Olson  
& Bear LLP

(57) **CLAIM**

The ornamental design for a tapered box, as shown and described.

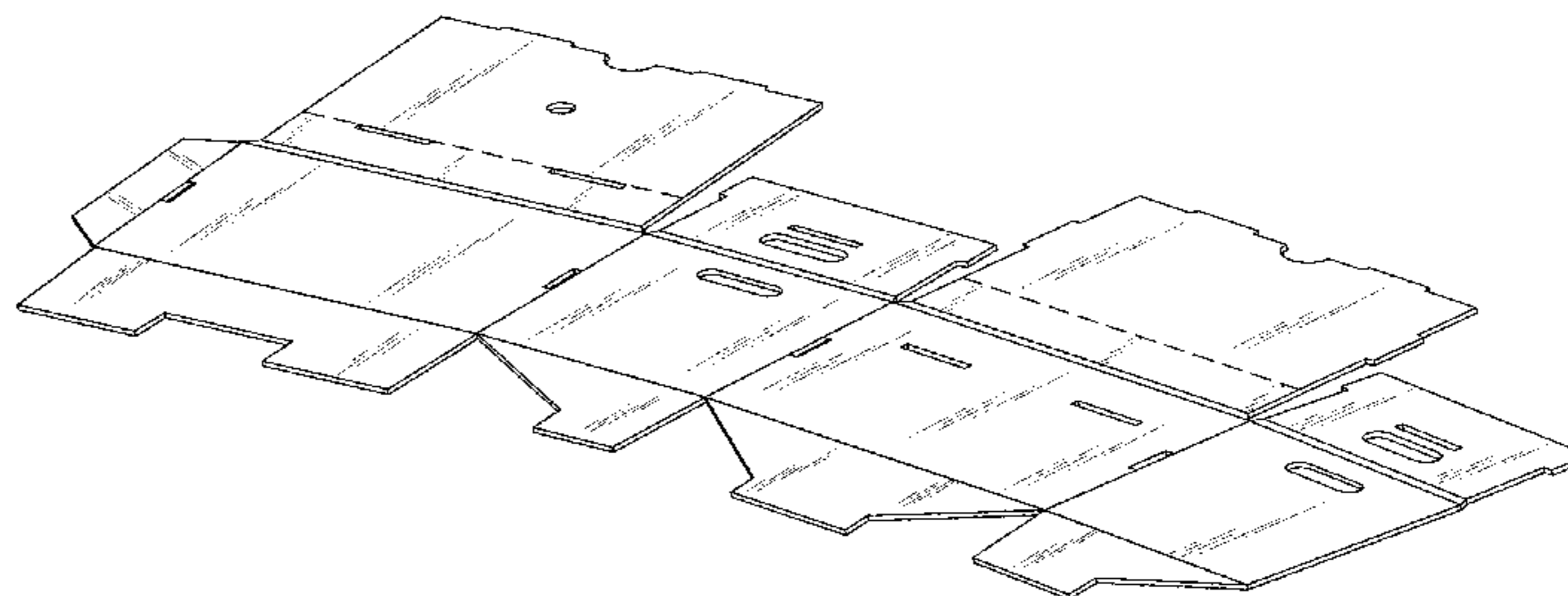
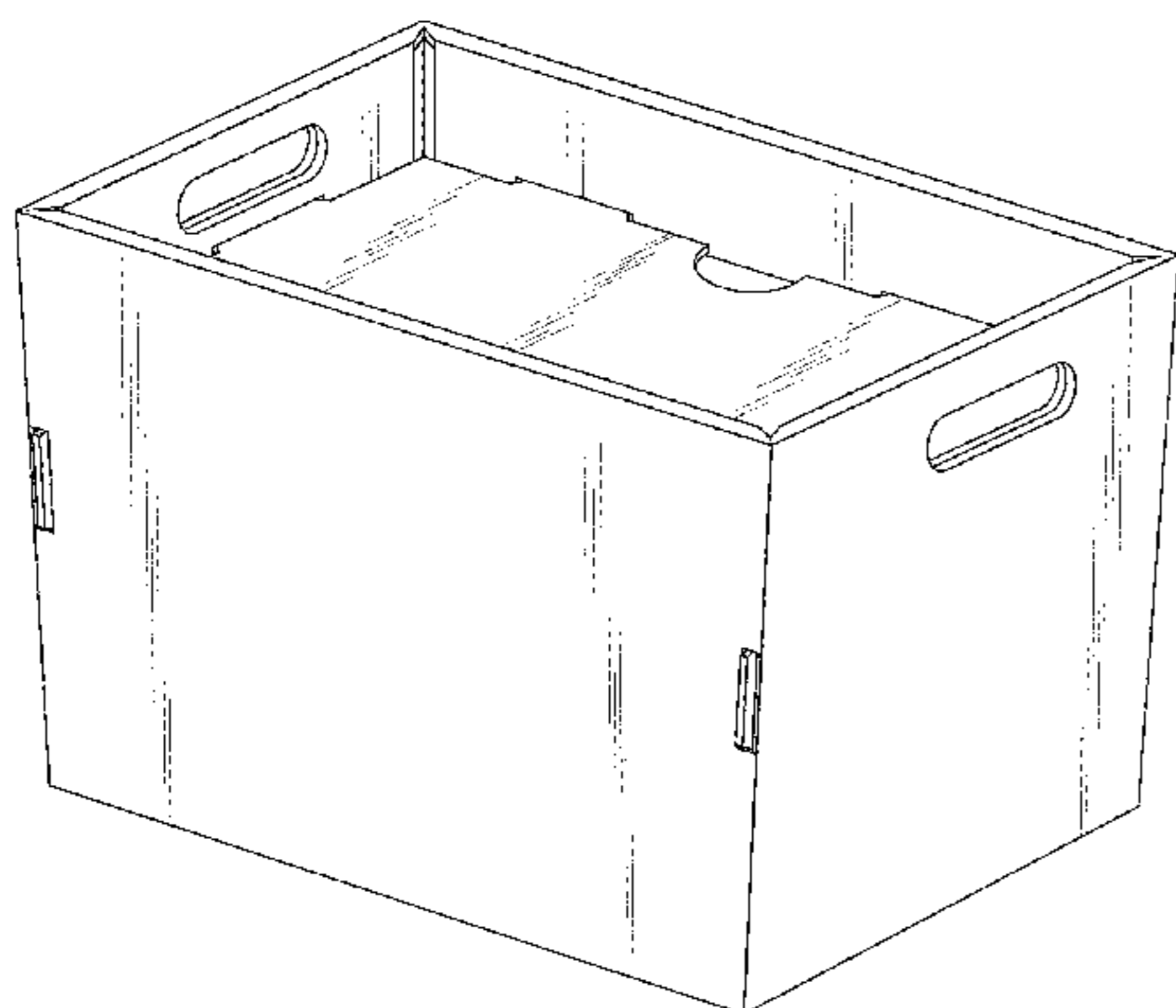
**DESCRIPTION**

FIG. 1 is a front, top, and left perspective view of the tapered box shown in an assembled state showing my new design. FIG. 2 is a top plan view thereof. FIG. 3 is a bottom plan view thereof. FIG. 4 is a front elevational view thereof. FIG. 5 is a rear elevational view thereof. FIG. 6 is a left side elevational view thereof. FIG. 7 is a right side elevational view thereof. FIG. 8 is a front, top, and left perspective view of the tapered box shown in an unassembled state. FIG. 9 is a top plan view thereof. FIG. 10 is a bottom plan view thereof. FIG. 11 is a front elevational view thereof. FIG. 12 is a rear elevational view thereof. FIG. 13 is a left side elevational view thereof; and, FIG. 14 is a right side elevational view thereof. Broken lines are used to illustrate environmental structure which forms no part of the claimed design.

**1 Claim, 11 Drawing Sheets**

(56) **References Cited**  
U.S. PATENT DOCUMENTS

1,941,514 A 1/1934 Sutherland  
2,418,963 A 4/1947 Anderson, Jr.  
2,572,387 A 10/1951 Rayburn  
2,591,882 A 4/1952 Shirley  
2,874,866 A \* 2/1959 Rudy ..... B65D 43/163  
220/523  
2,902,200 A 9/1959 Manners  
2,947,462 A 8/1960 Bostock  
3,302,852 A 2/1967 Johnson  
3,758,018 A 9/1973 Black



(56)

References Cited

U.S. PATENT DOCUMENTS

4,124,679 A 11/1978 DeWitt  
 4,324,357 A 4/1982 Murkowski  
 4,739,921 A 4/1988 Taub  
 5,011,071 A 4/1991 Lopez  
 D326,341 S 5/1992 Frauhiger  
 5,184,772 A 2/1993 McGrath  
 5,228,617 A 7/1993 McGrath  
 5,240,176 A 8/1993 Akers  
 5,263,635 A 11/1993 Fitzgerald  
 5,271,551 A \* 12/1993 Roepke ..... B65D 5/4608  
 229/117.17  
 5,275,331 A 1/1994 Chung-Piao  
 5,494,161 A \* 2/1996 Herbst ..... B42F 15/0094  
 206/425  
 D424,117 S 5/2000 Steinbeck et al.  
 D425,128 S 5/2000 Conley et al.  
 D425,562 S 5/2000 Conley et al.  
 6,402,020 B1 6/2002 McClure  
 6,719,191 B1 \* 4/2004 Christensen ..... B65D 5/0075  
 206/509  
 D501,318 S 2/2005 Louie et al.  
 D505,069 S 5/2005 Keberlein  
 D514,928 S 2/2006 Keberlein  
 D538,536 S \* 3/2007 Kopenhaver ..... D3/305  
 D542,532 S 5/2007 Kopenhaver et al.  
 D546,675 S 7/2007 Keberlein

7,370,757 B2 5/2008 Scheid, Sr. et al.  
 D584,143 S 1/2009 Lee  
 D598,285 S 8/2009 Mittelstaedt  
 D605,899 S 12/2009 Meether et al.  
 D608,634 S \* 1/2010 Riedi ..... D9/432  
 7,870,993 B2 1/2011 Walling  
 D651,908 S 1/2012 Boyer et al.  
 D652,312 S 1/2012 Boyer et al.  
 D657,687 S 4/2012 Boyer et al.  
 D666,830 S \* 9/2012 Glenn ..... D3/312  
 D705,054 S 5/2014 McCarthy  
 D719,018 S 12/2014 Levy et al.  
 D727,142 S 4/2015 Bankowski  
 D742,740 S 11/2015 Kim et al.  
 D745,392 S 12/2015 Solovov, Jr. et al.  
 9,242,759 B2 \* 1/2016 Scott ..... B65D 5/4608  
 D749,944 S 2/2016 Kummerfeldt  
 D764,279 S 8/2016 Sevsek  
 D766,020 S 9/2016 Thatcher  
 D770,771 S 11/2016 Lisso et al.  
 D780,452 S 3/2017 Stratton et al.  
 2005/0017063 A1 1/2005 Noone et al.  
 2005/0150939 A1 7/2005 Fakes et al.  
 2006/0213958 A1 \* 9/2006 Valenzuela ..... B65D 5/002  
 229/120  
 2009/0173773 A1 7/2009 Blin  
 2011/0204130 A1 8/2011 McLeod  
 2016/0137333 A1 5/2016 Brundage

\* cited by examiner

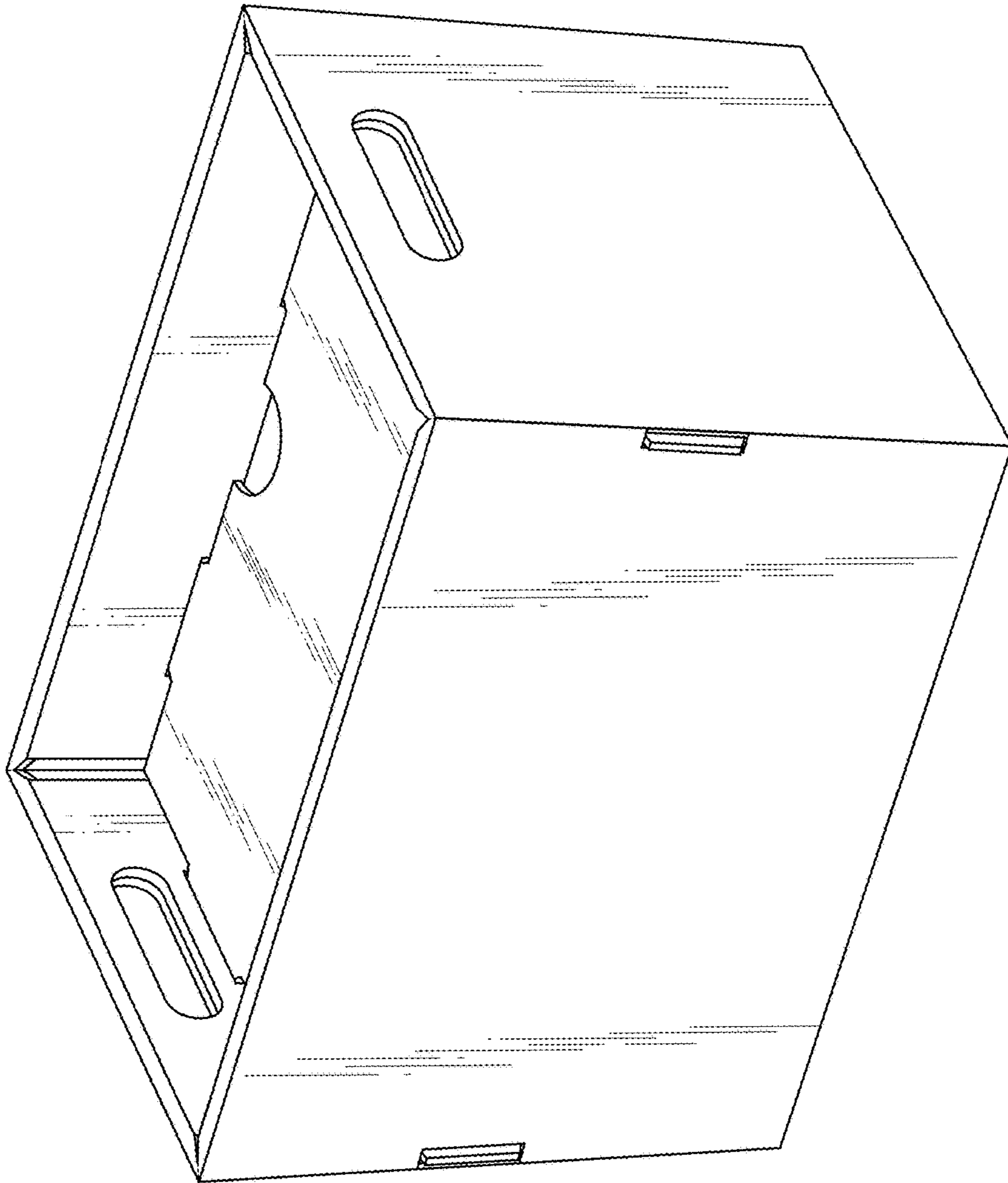


FIG. 1

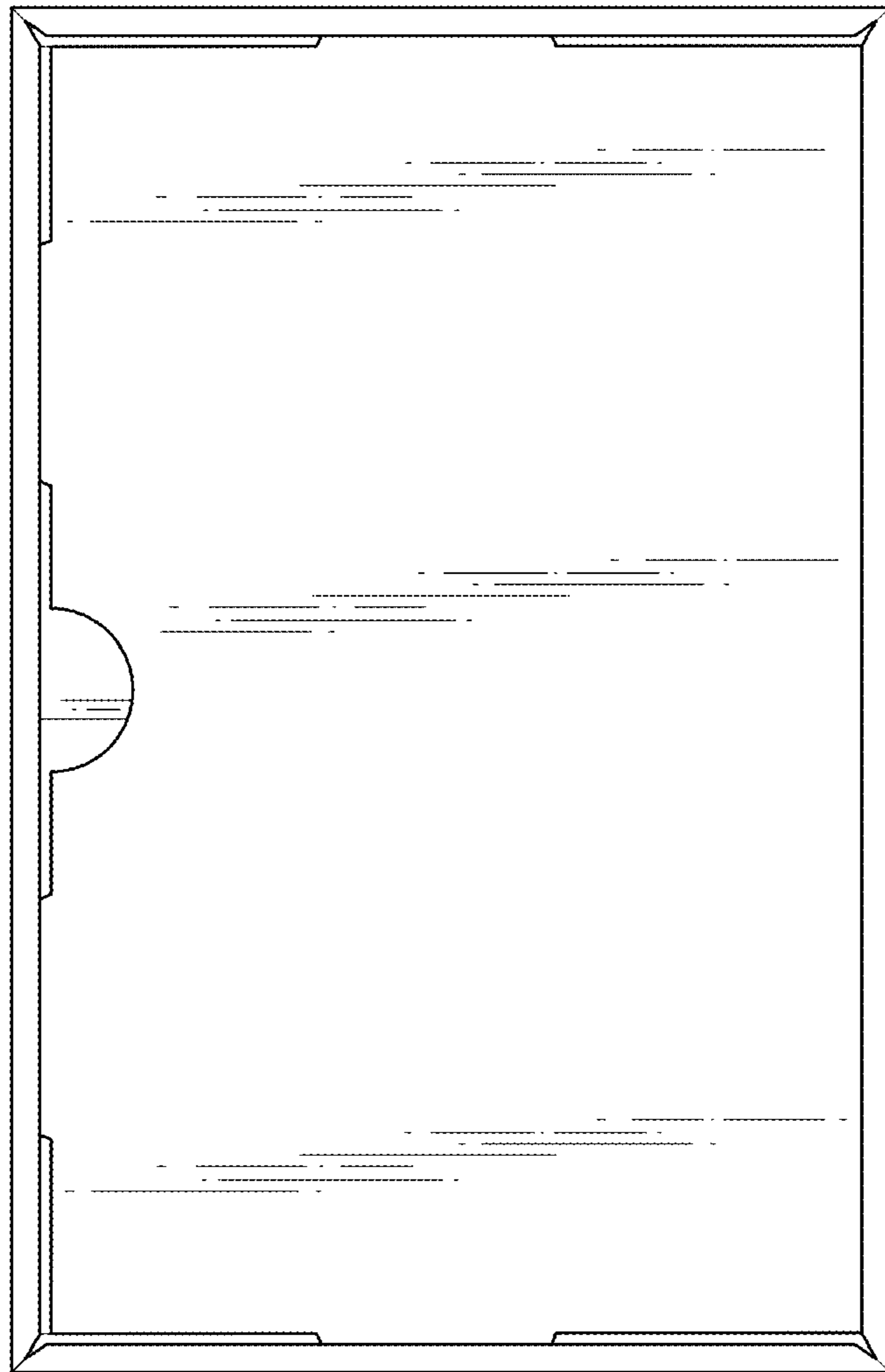


FIG. 2

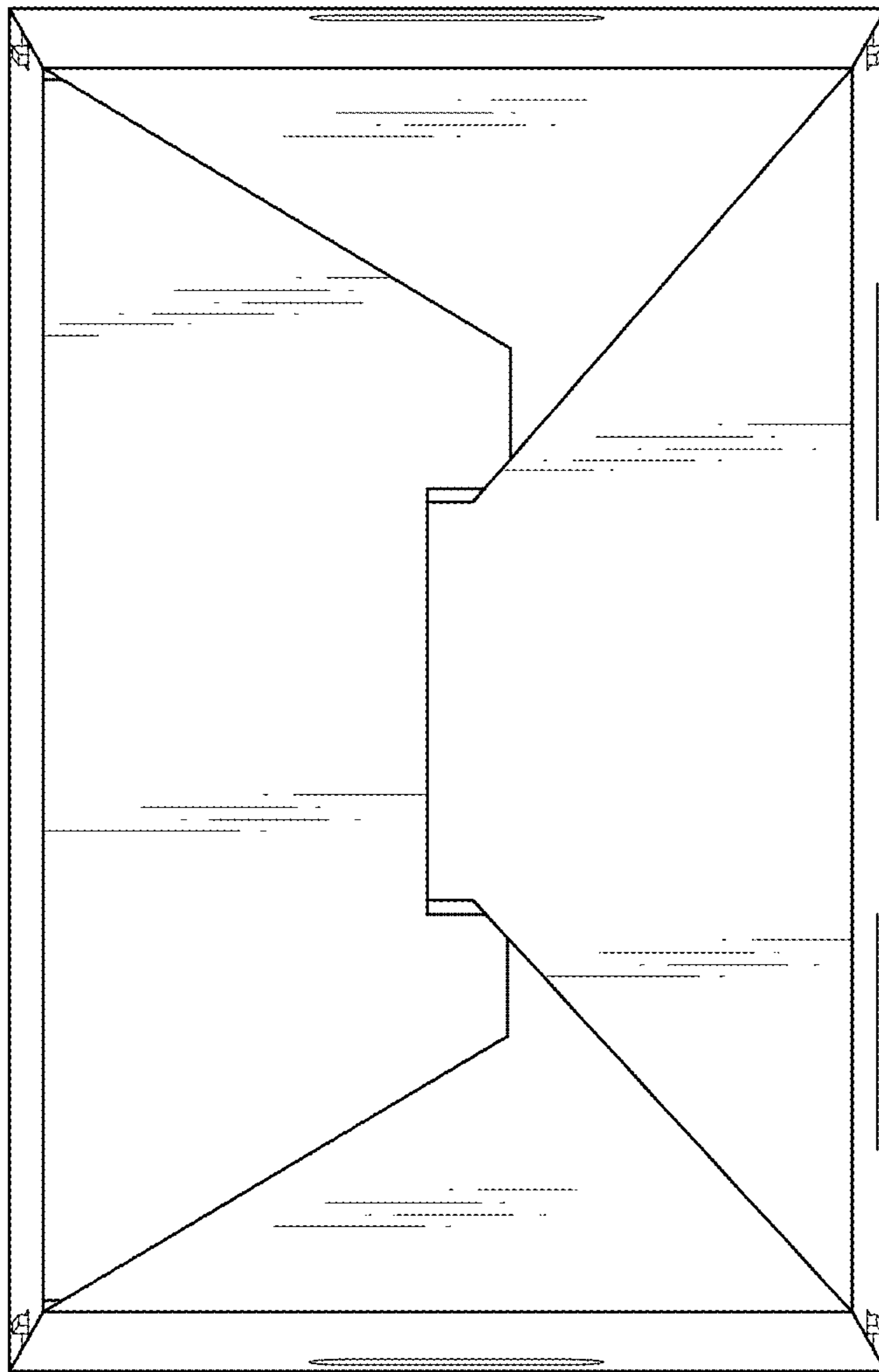


FIG. 3

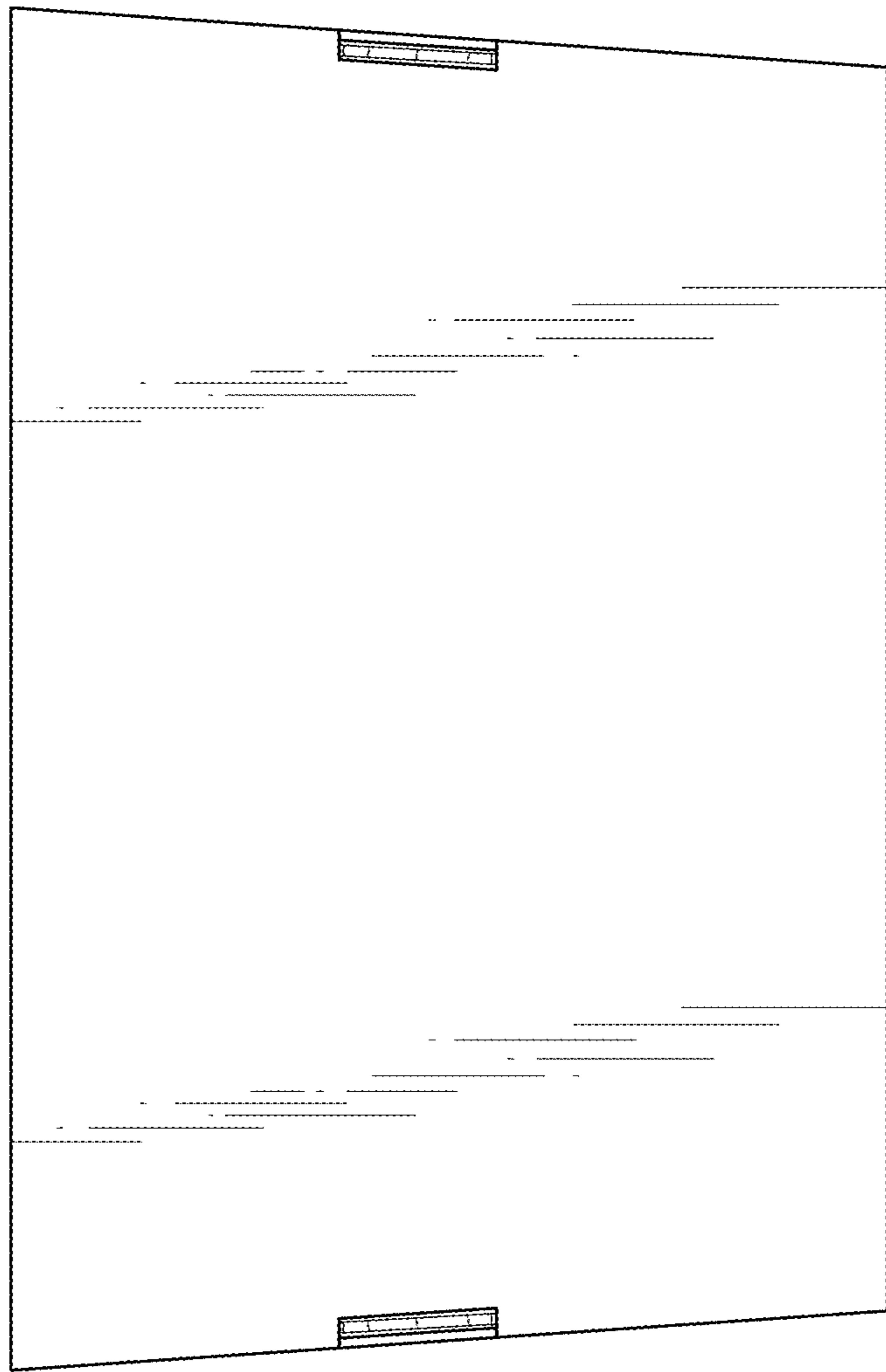


FIG. 4

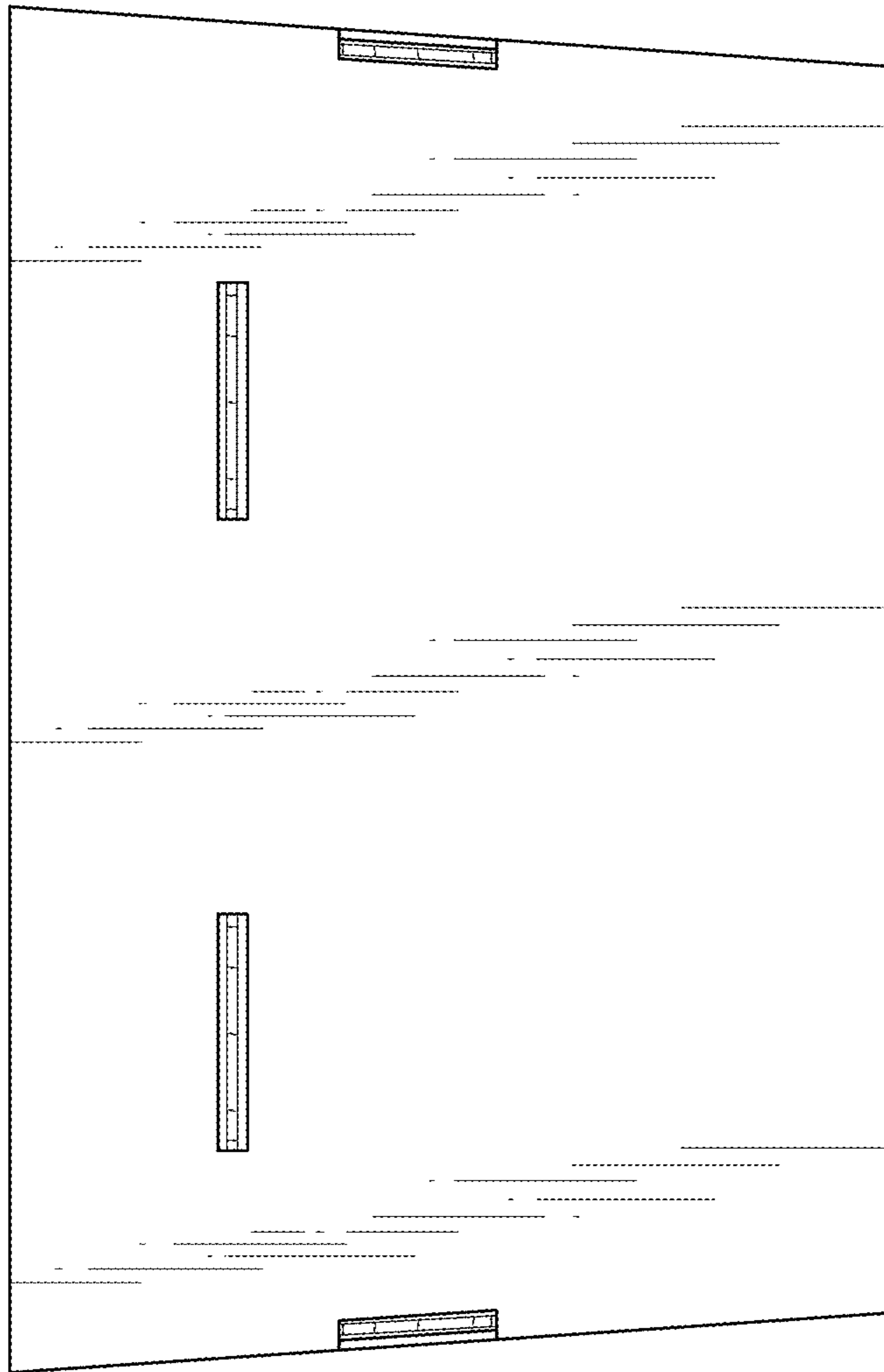


FIG. 5



FIG. 6

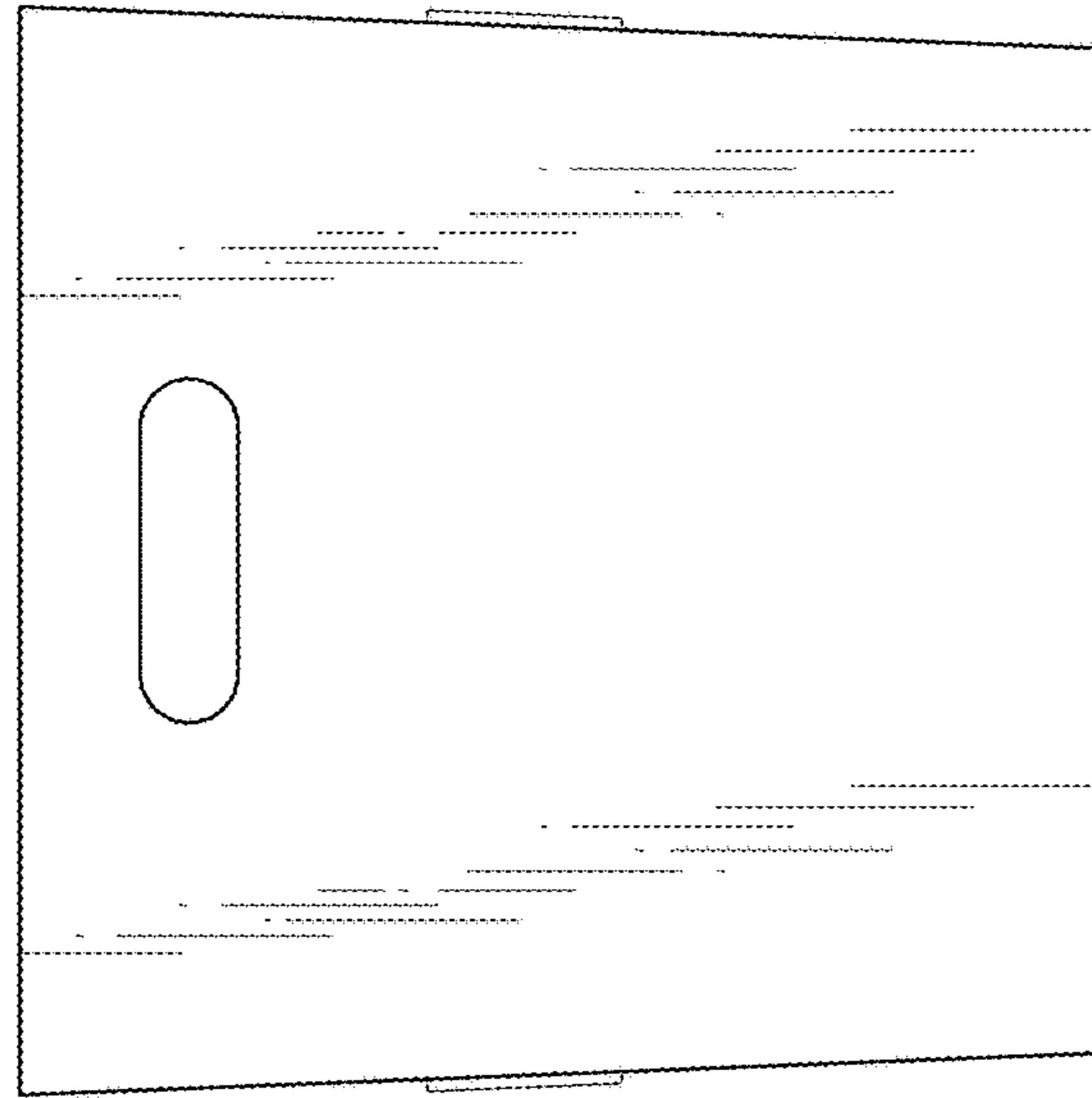


FIG. 7



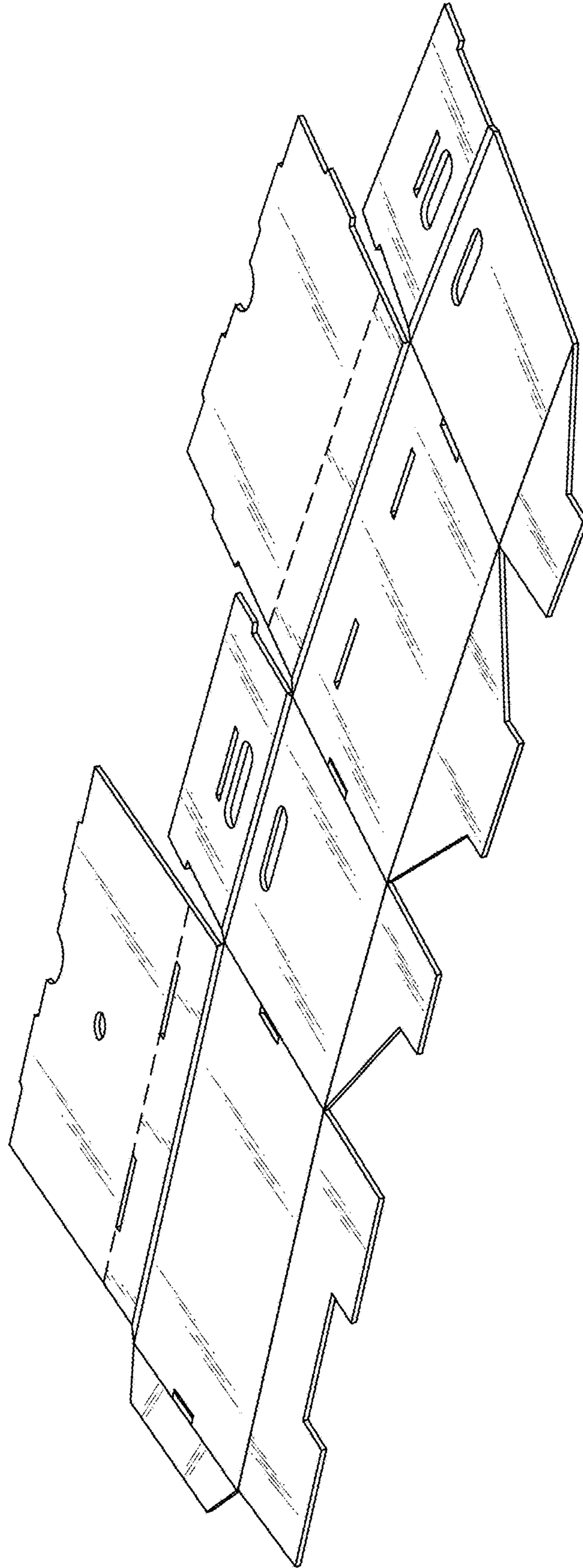


FIG. 8

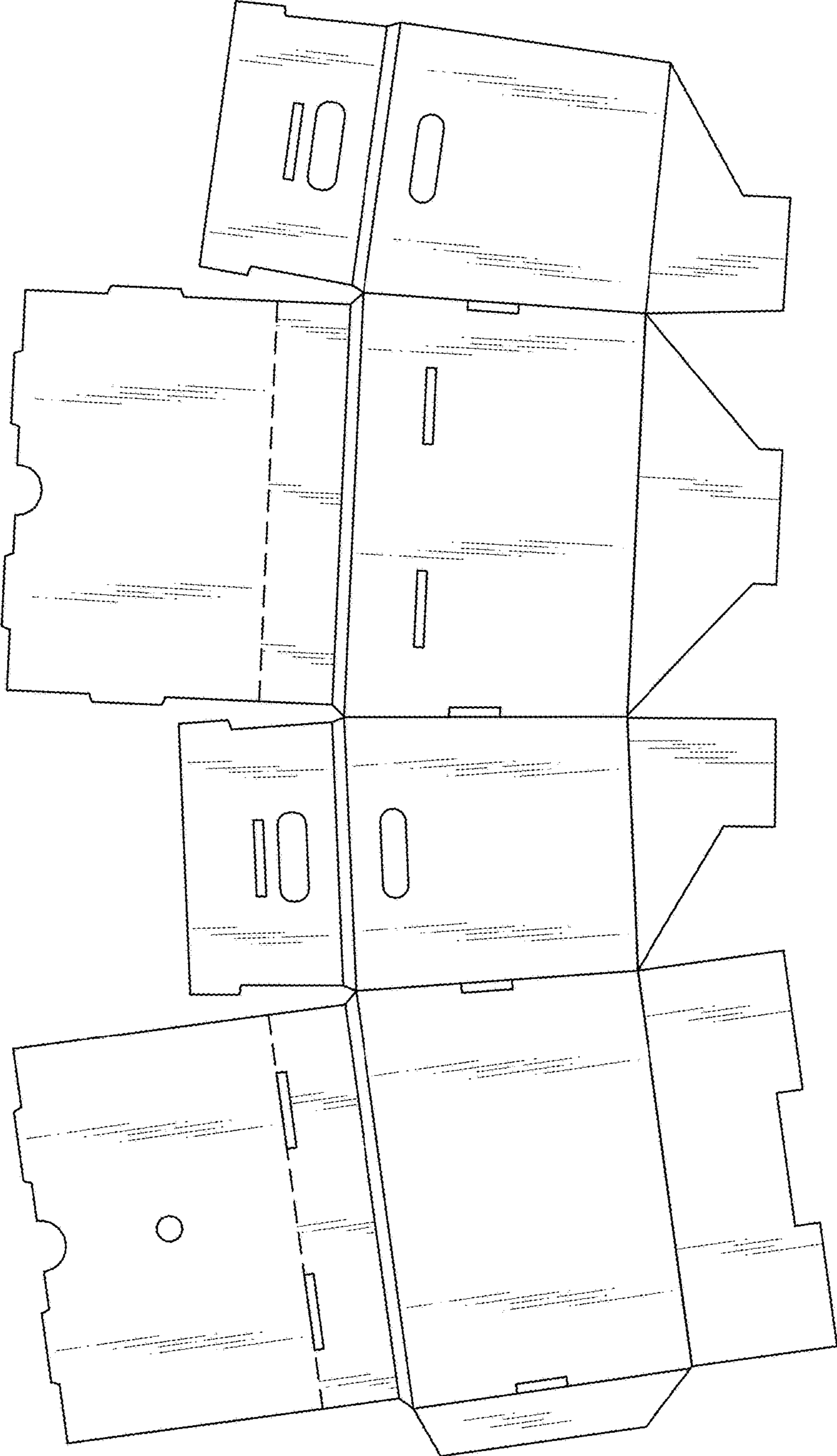


FIG. 9

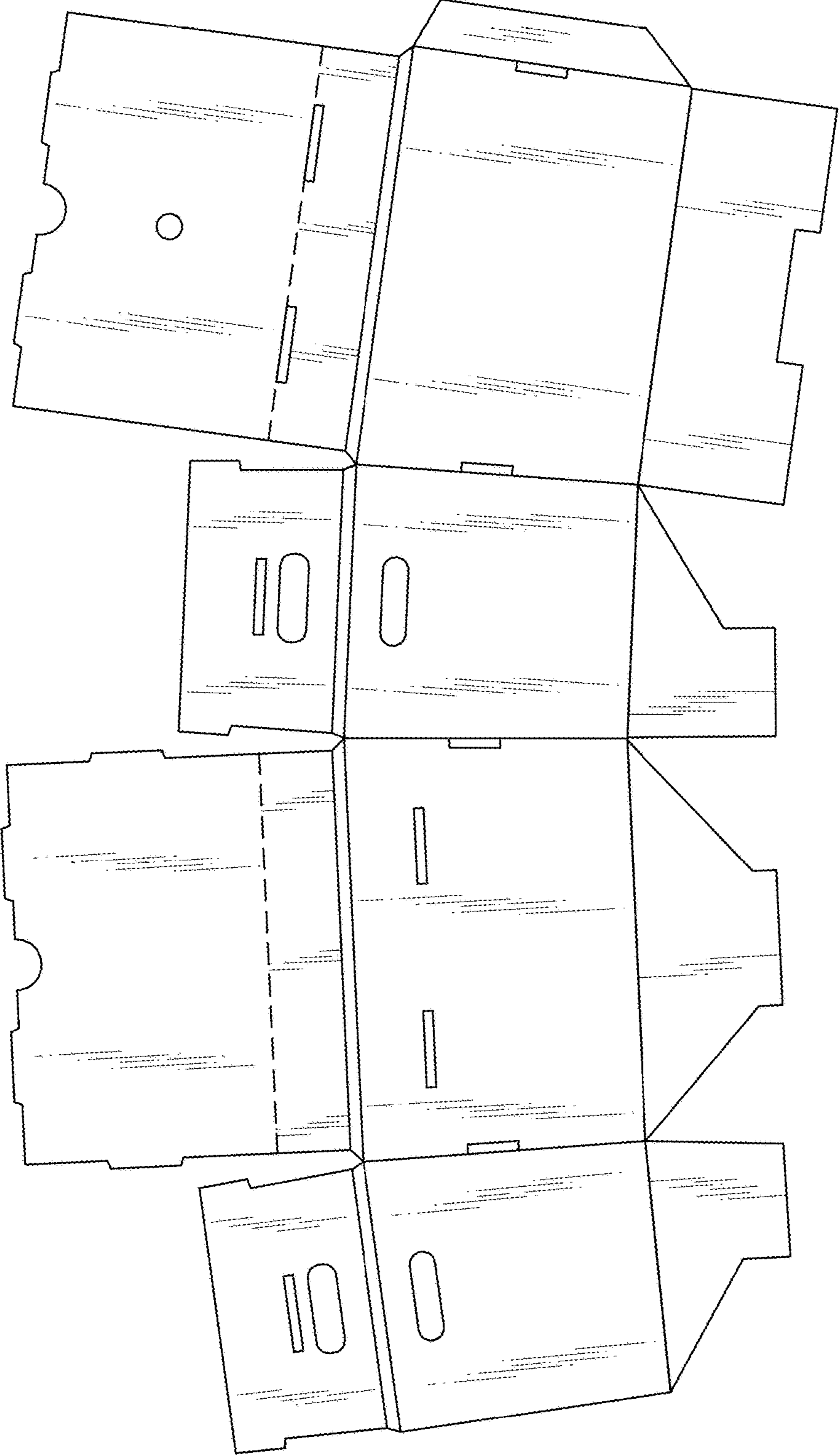


FIG. 10



FIG. 11



FIG. 12

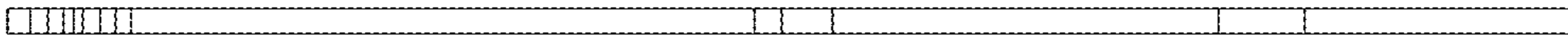


FIG. 13

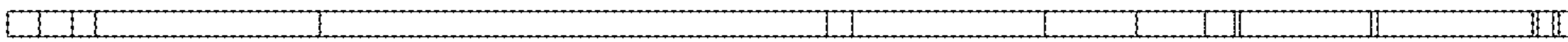


FIG. 14