

US00D805892S

(12) **United States Design Patent**
Bard et al.

(10) **Patent No.:** **US D805,892 S**

(45) **Date of Patent:** **** Dec. 26, 2017**

(54) **PACKAGE**

(71) Applicant: **Lutron Electronics Co., Inc.**,
Coopersburg, PA (US)

(72) Inventors: **Benjamin F. Bard**, Zionsville, PA
(US); **David S. Bennett**, Bethlehem, PA
(US); **Jason C. Killo**, Emmaus, PA
(US)

(73) Assignee: **Lutron Electronics Co., Inc.**,
Coopersburg, PA (US)

(**) Term: **15 Years**

(21) Appl. No.: **29/591,654**

(22) Filed: **Jan. 23, 2017**

Related U.S. Application Data

(63) Continuation of application No. 29/544,139, filed on
Oct. 30, 2015, now Pat. No. Des. 780,569.

(51) **LOC (10) Cl.** **09-03**

(52) **U.S. Cl.**
USPC **D9/420**

(58) **Field of Classification Search**

USPC D7/601, 602, 609; D9/414–416,
D9/418–421, 423–426, 428–430, 432,
D9/434, 435, 455–457, 499

CPC B65D 77/00; B65D 81/00
See application file for complete search history.

(56) **References Cited**

U.S. PATENT DOCUMENTS

1,588,857 A	6/1926	Sherman
D95,429 S	4/1935	James et al.
RE25,050 E	10/1961	Hamilton
3,660,934 A	5/1972	Pollack et al.
D423,359 S	4/2000	MacLean et al.
D426,902 S	6/2000	Hardy et al.
D441,644 S	5/2001	Pero et al.

D509,995 S	9/2005	Laib et al.
D609,116 S	2/2010	Kim
D643,714 S	8/2011	Daley et al.
D645,001 S *	9/2011	Margolin D13/162
D647,066 S *	10/2011	Jacoby D13/168
D649,124 S *	11/2011	Jacoby D13/168
D650,666 S	12/2011	Daley et al.
D655,254 S *	3/2012	Jacoby D13/168

(Continued)

OTHER PUBLICATIONS

Youtube. Lutron Caseta [Review] w/ HoneKit & Siri Integration.
Jun. 3, 2015 [earliest online date], [site visited Jun. 2, 2017].
Available from Internet, URL: <https://www.youtube.com/watch?v=nUzBt07htRQ>.*

(Continued)

Primary Examiner — Robert M. Spear
Assistant Examiner — Darcey E Heflin
(74) *Attorney, Agent, or Firm* — Saidman DesignLaw
Group, LLC

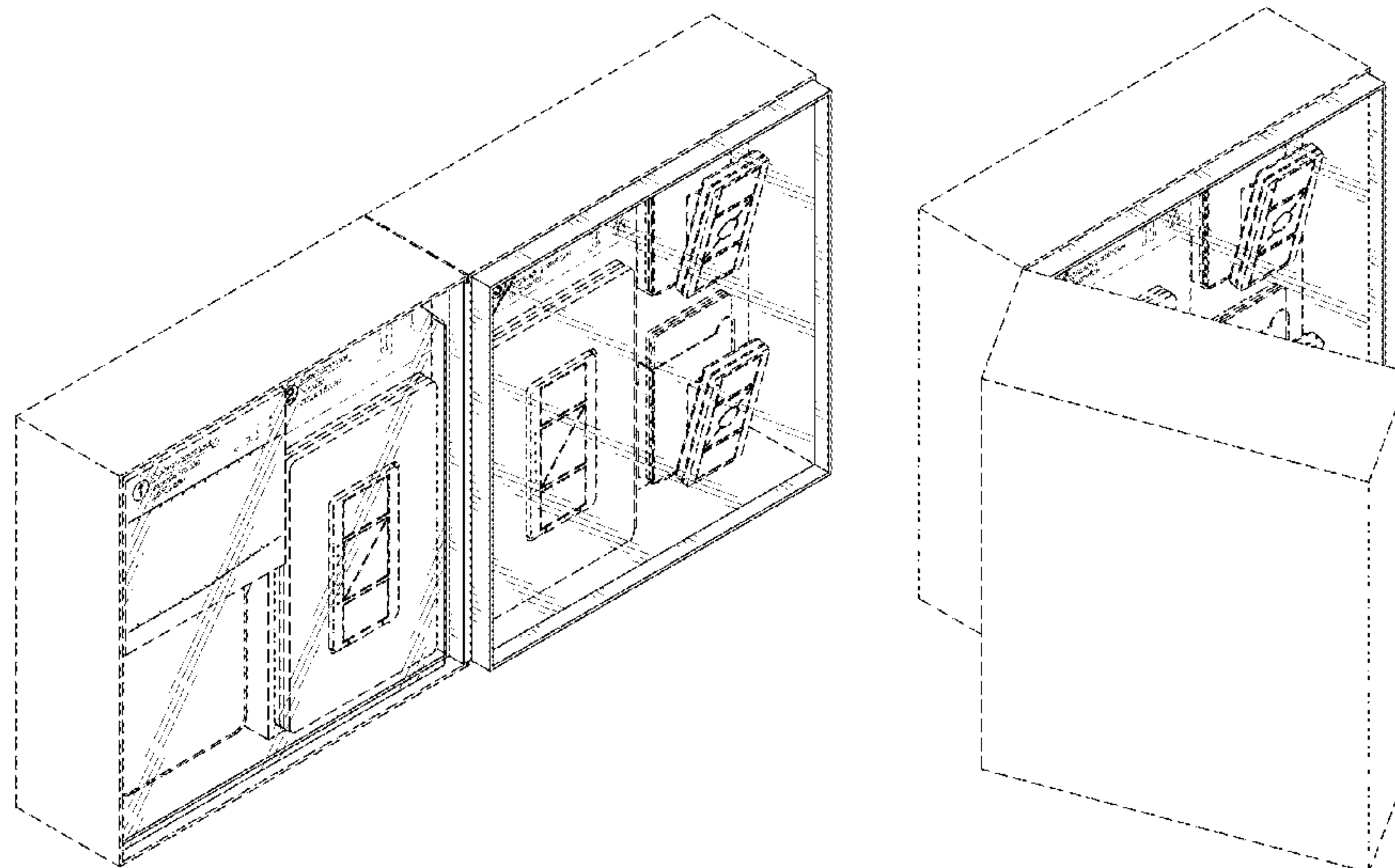
(57) **CLAIM**

The ornamental design for a package, as shown and
described.

DESCRIPTION

FIG. 1 is a front perspective view of a package showing our
new design;
FIG. 2 is a front view thereof
FIG. 3 is a rear view thereof;
FIG. 4 is a left side view thereof;
FIG. 5 is a right side view thereof;
FIG. 6 is a bottom view thereof;
FIG. 7 is a top view thereof; and,
FIG. 8 is another perspective view of the package shown in
a partially closed configuration.
The broken lines illustrate structure or features which form
no part of the claimed design.

1 Claim, 6 Drawing Sheets



(56)

References Cited

U.S. PATENT DOCUMENTS

D655,601 S	3/2012	Daley et al.	
D691,900 S	10/2013	Kraus	
D710,700 S *	8/2014	Glass	D9/434
D729,061 S	5/2015	Rotonda	
D731,323 S	6/2015	O'Neill	
D732,960 S *	6/2015	Glass	D9/455
D734,277 S *	7/2015	Jacoby	D13/164
D763,683 S	8/2016	O'Neill	
D763,684 S	8/2016	O'Neill	
D780,569 S *	3/2017	Bard	D9/420
D780,570 S *	3/2017	Bard	D9/420
2009/0229770 A1 *	9/2009	Kirby	E04F 10/0607 160/239

OTHER PUBLICATIONS

U.S. Appl. No. 29/544,145 to Bard et al., titled "Package", filed Oct. 30, 2015 (unpublished).

Youtube. Hands-on with HomeKit: Caseta Wireless. Jun. 4, 2015 [earliest online date], [site visited Aug. 25, 2016]. Available from Internet, <URL:<https://www.youtube.com/watch?v=fPBUsFgCqmk>>.

* cited by examiner

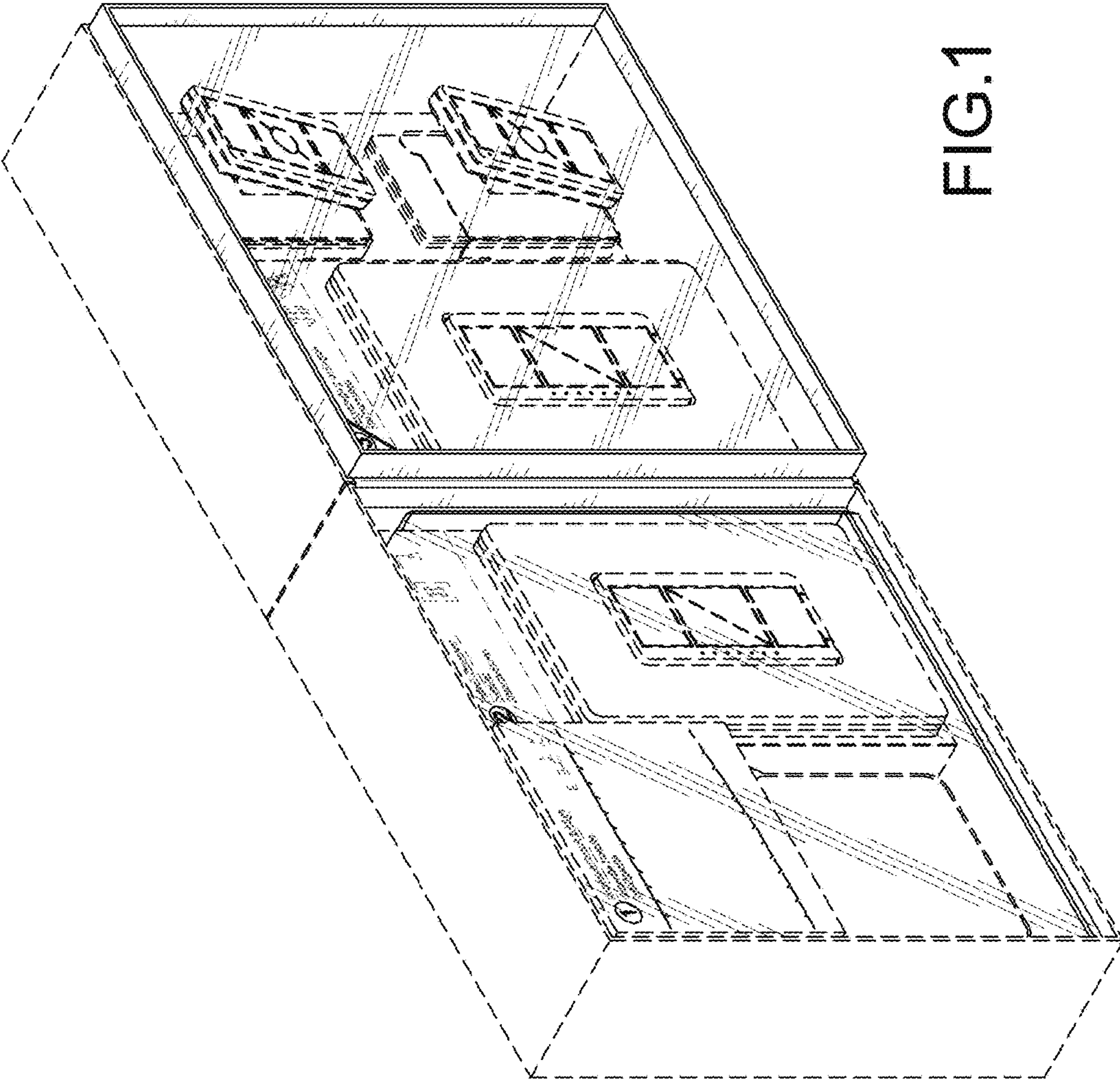


FIG.1

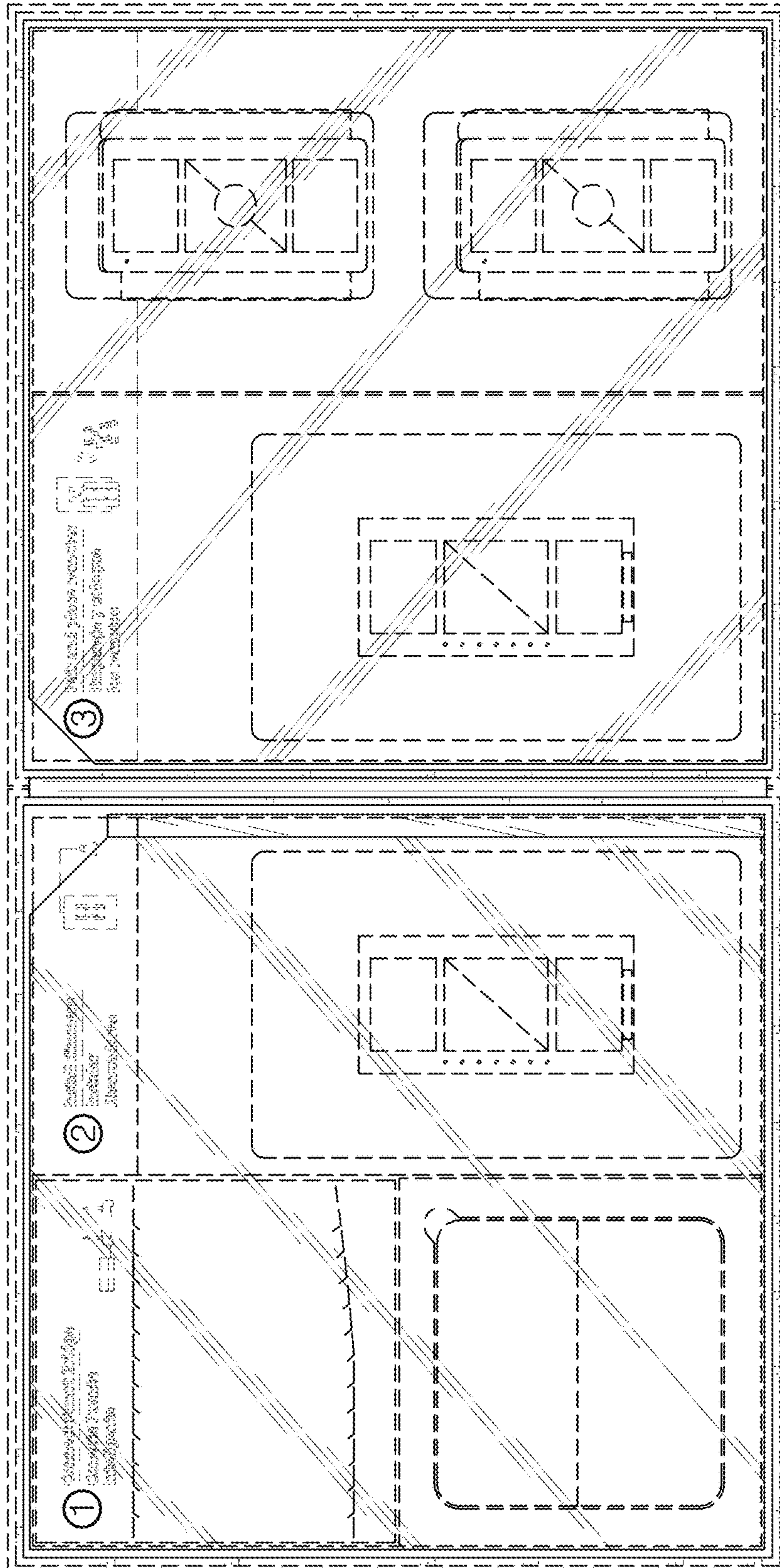


FIG. 2

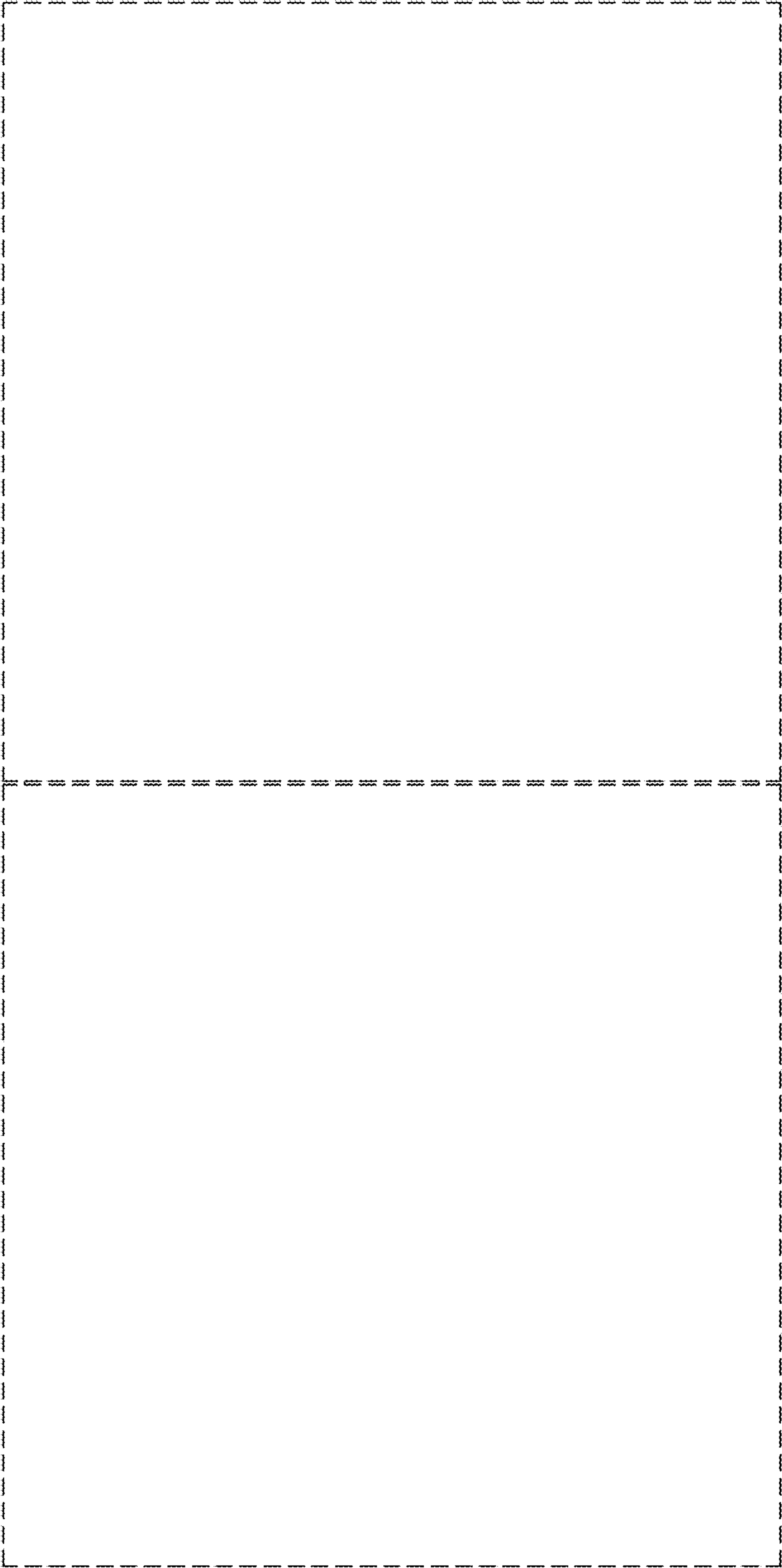


FIG. 3

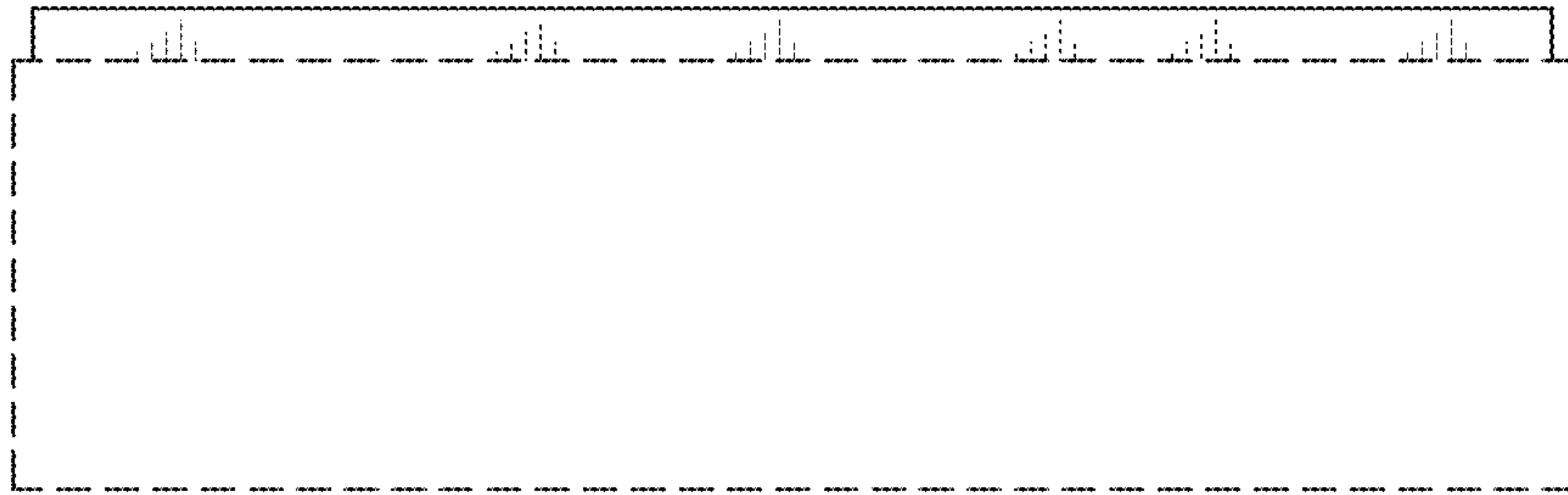


FIG. 4

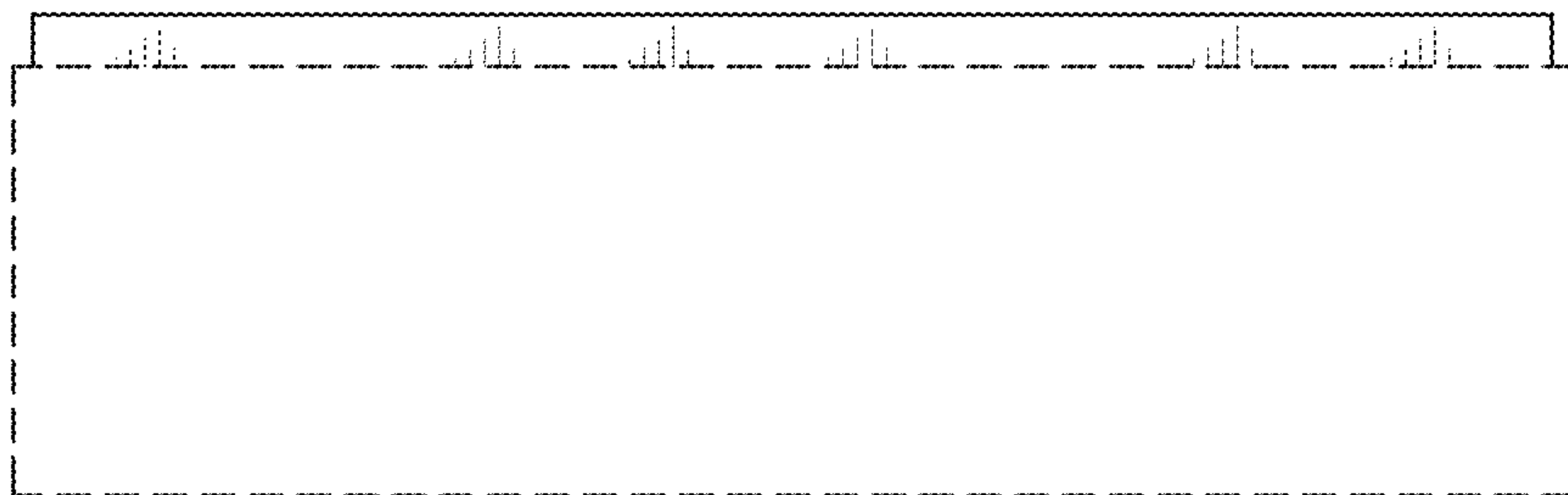


FIG. 5

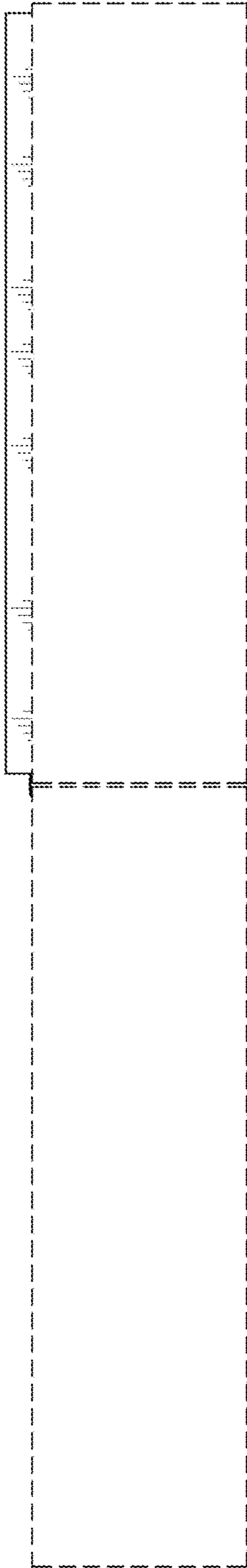


FIG. 6

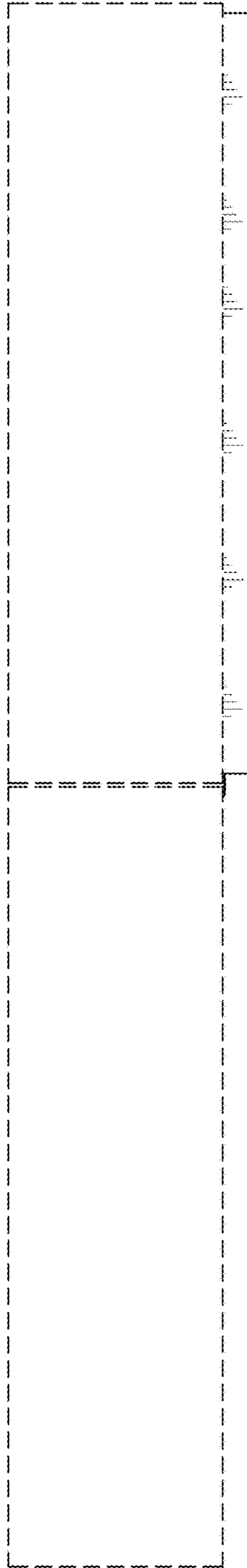


FIG. 7

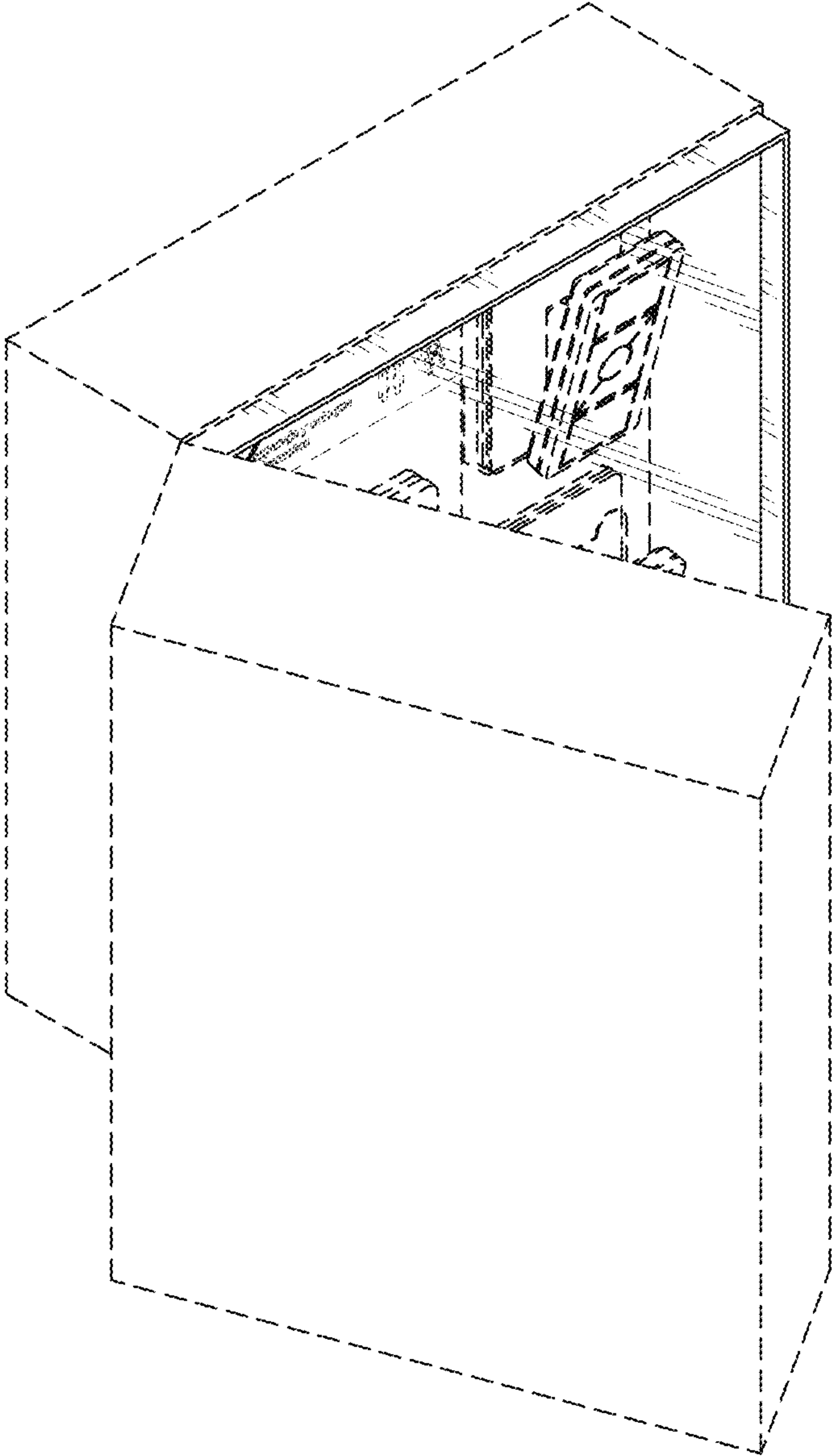


FIG. 8