



US00D805888S

(12) **United States Design Patent** (10) **Patent No.:** **US D805,888 S**
De Los Santos (45) **Date of Patent:** **** Dec. 26, 2017**

(54) **PIPE ELBOW REPAIR DEVICE**
(71) Applicant: **Innovative Maintenance Products, LLC**, San Jose, CA (US)
(72) Inventor: **Elias De Los Santos**, San Jose, CA (US)
(73) Assignee: **INNOVATIVE MAINTENANCE PRODUCTS, LLC.**, San Jose, CA (US)
(**) Term: **15 Years**

D629,496 S * 12/2010 Madara D23/262
D650,889 S * 12/2011 Van Walraven D23/265
D653,310 S * 1/2012 Texier D23/262
D681,440 S * 5/2013 Yu D8/396
D692,294 S * 10/2013 Koeniger D8/396
D708,053 S * 7/2014 Marini D24/127
D711,730 S * 8/2014 McKiernan D8/396
D721,950 S * 2/2015 Quinlan D8/396
(Continued)

(21) Appl. No.: **29/587,482**
(22) Filed: **Dec. 13, 2016**
(51) **LOC (10) Cl.** **08-08**
(52) **U.S. Cl.**
USPC **D8/396**
(58) **Field of Classification Search**
USPC D8/394-396, 71-72, 79; D23/262-265, D23/296
CPC B65D 45/34; F16L 21/02; F16L 55/18; F16L 21/06; F16L 17/00; F16L 23/00; F16J 15/22; F16J 1/005
See application file for complete search history.

FOREIGN PATENT DOCUMENTS

CN 302782169 * 4/2014
WO WO D044932-001 * 10/1998

OTHER PUBLICATIONS

Anvil Split Ring Hanger, Malleable Iron, website 2017, <https://www.grainger.com/product/ANVIL-Split-Ring-Hanger-4HYA7>, [site visited Jul. 31, 2017 8:35:41 PM].*

(Continued)

Primary Examiner — John Windmuller
Assistant Examiner — John R Yeh
(74) *Attorney, Agent, or Firm* — James M. Duncan, Esq.; Klein DeNatale Goldner

(56) **References Cited**

U.S. PATENT DOCUMENTS

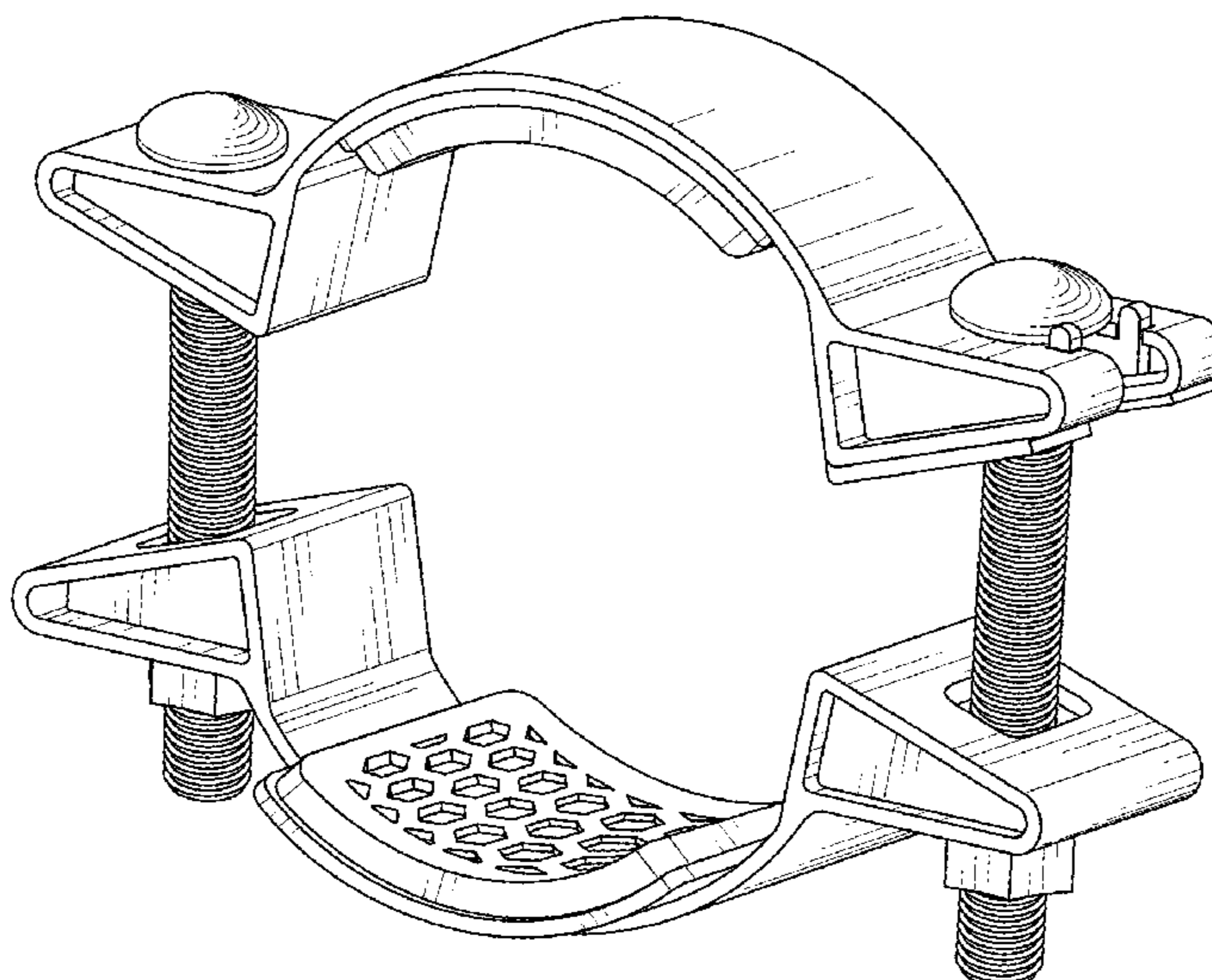
D142,057 S * 8/1945 Baxter D23/265
5,653,481 A * 8/1997 Alderman F16B 31/04 24/279
D436,028 S * 1/2001 Wagner D8/396
D540,158 S * 4/2007 Smith D8/396
D568,970 S * 5/2008 Gibb D23/262
D587,349 S * 2/2009 Madara D23/265
D597,635 S * 8/2009 Dole D23/262
D628,680 S * 12/2010 Dole D23/262
D629,074 S * 12/2010 Shah D23/262
D629,076 S * 12/2010 Madara D23/262
D629,078 S * 12/2010 Dole D23/262

DESCRIPTION

(57) **CLAIM**
The ornamental design for a pipe elbow repair device, as shown and described.

FIG. 1 is a perspective view of a pipe elbow repair device showing my new design;
FIG. 2 is a front view thereof, the rear view being a mirror image of the front view;
FIG. 3 is a left side view thereof;
FIG. 4 is a right side view thereof;
FIG. 5 is a top view thereof; and,
FIG. 6 is a bottom view thereof.

1 Claim, 4 Drawing Sheets



(56)

References Cited

U.S. PATENT DOCUMENTS

9,039,046 B2 * 5/2015 Beagen, Jr. F16L 17/025
285/367
D735,025 S * 7/2015 Mathien D8/396
D775,519 S * 1/2017 May D8/396
2015/0369405 A1 * 12/2015 Vandal F16L 17/04
285/337

OTHER PUBLICATIONS

Cramik Enterprises 3/4 in. Galvanized Split Ring Pipe Hanger-
20003—The Home Depot, review Jan. 13, 2015, [http://www.homedepot.com/p/Cramik-Enterprises-3-4-in-Galvanized-Split-Ring-Pipe-Han . . .](http://www.homedepot.com/p/Cramik-Enterprises-3-4-in-Galvanized-Split-Ring-Pipe-Han...) site visited Jul. 31, 2017.*

* cited by examiner

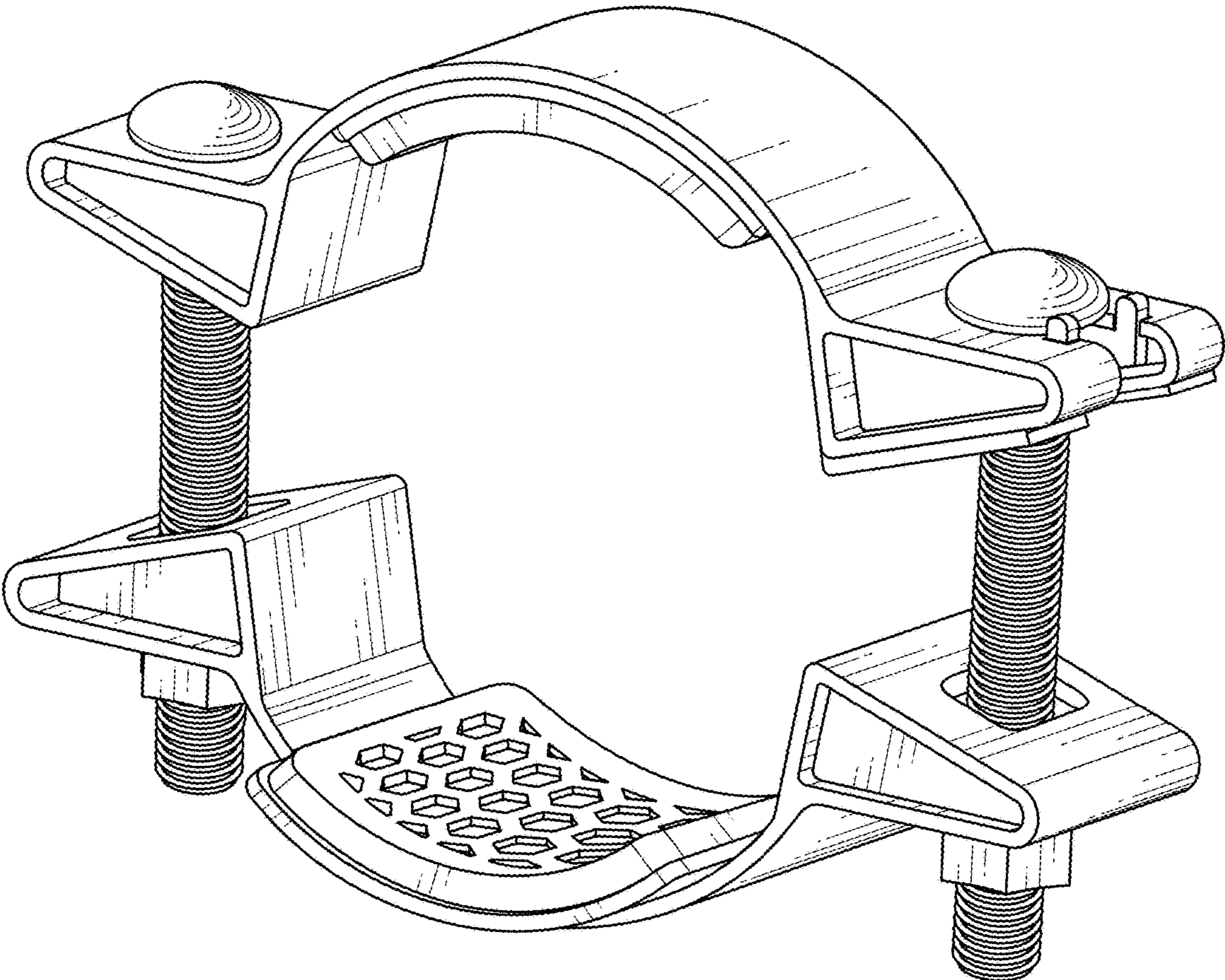


FIG. 1

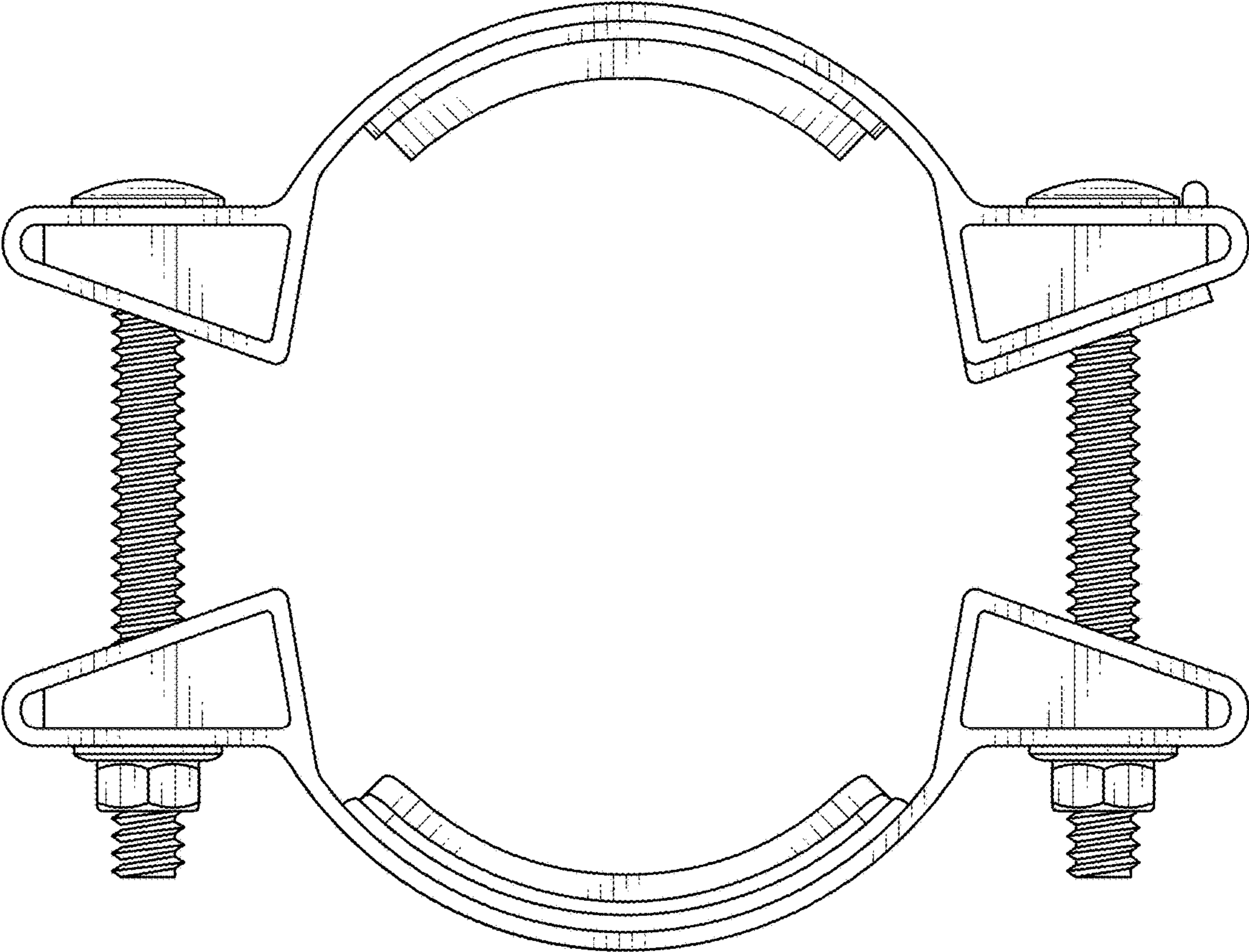


FIG. 2

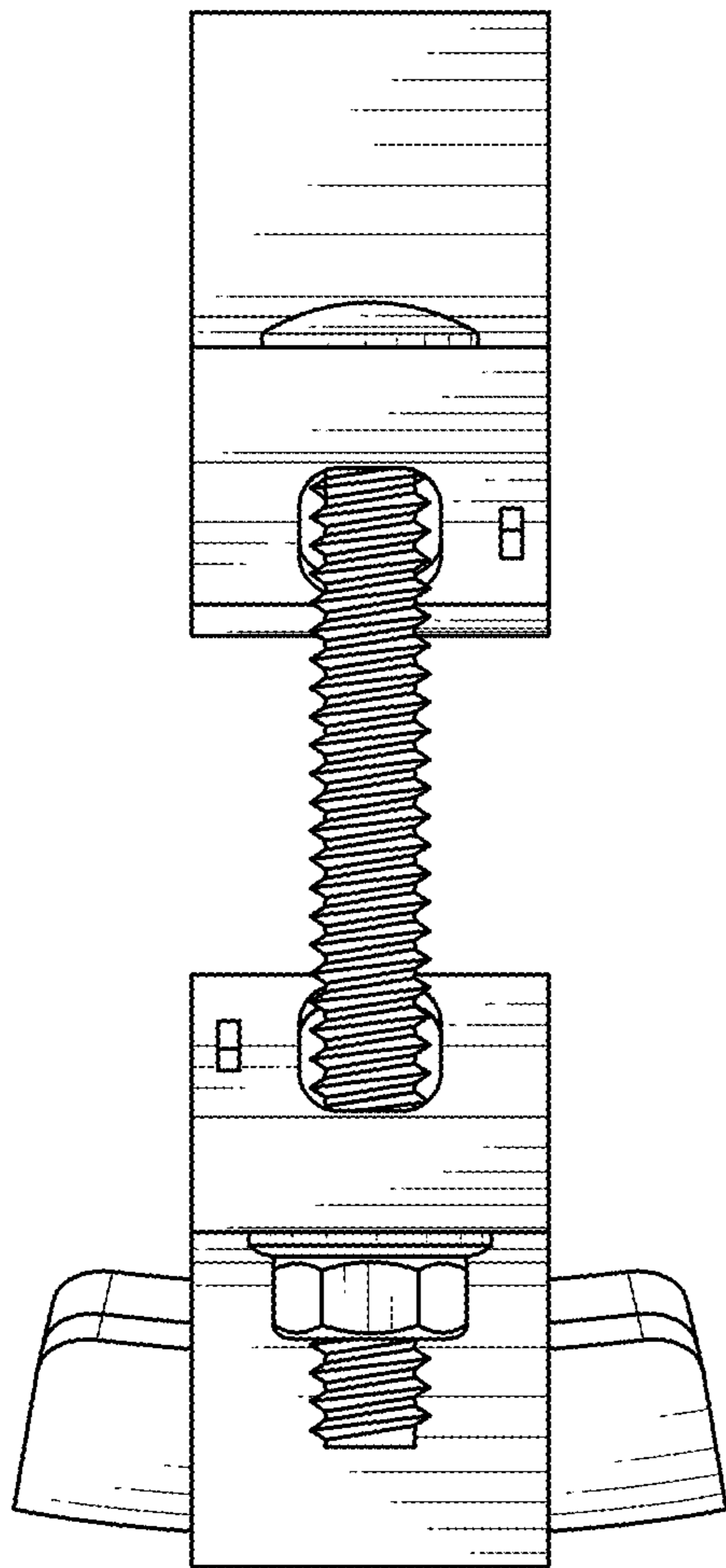


FIG. 3

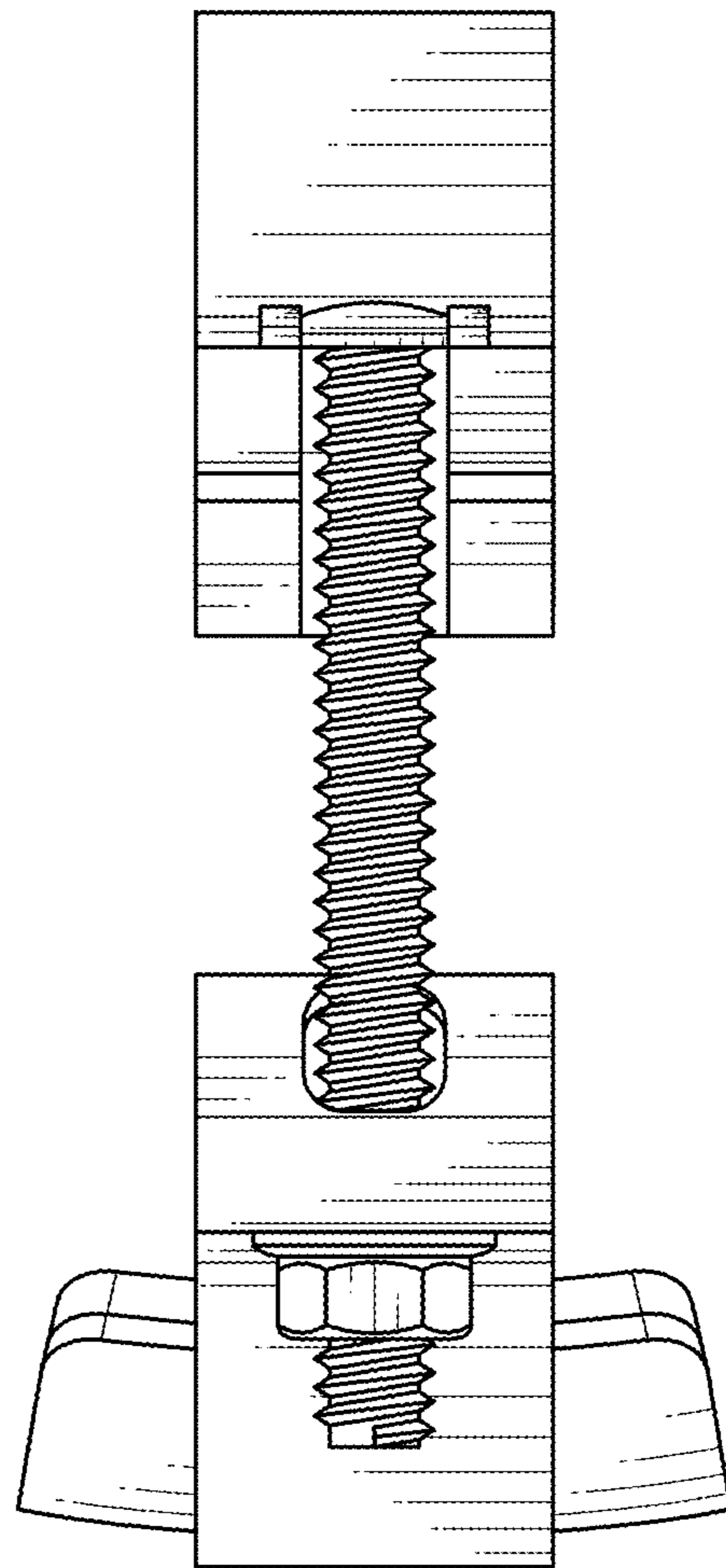


FIG. 4

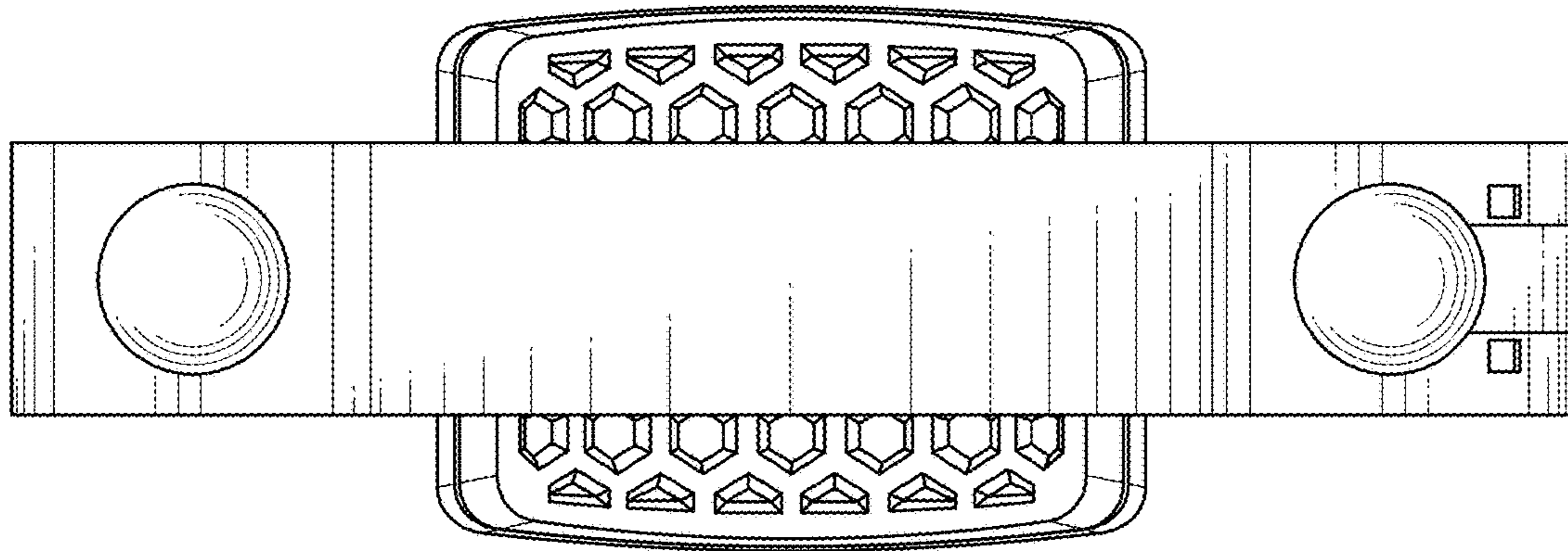


FIG. 5

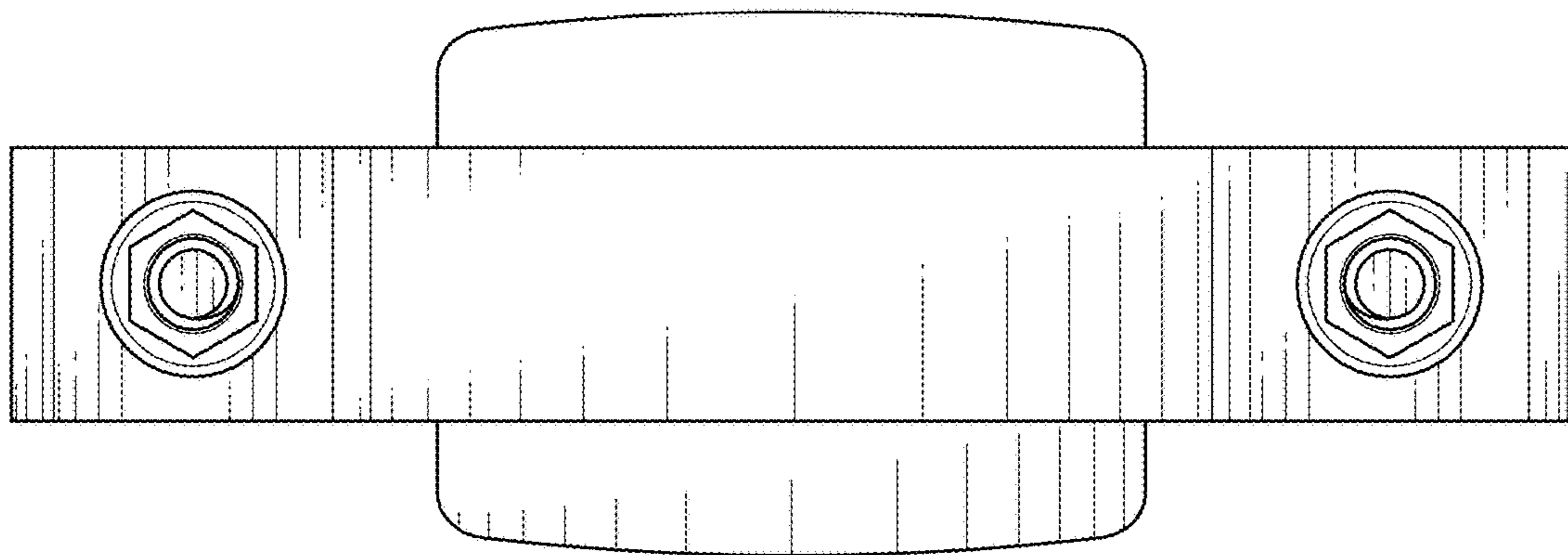


FIG. 6