



US00D805887S

(12) **United States Design Patent**  
**Bauer et al.**

(10) **Patent No.: US D805,887 S**  
(45) **Date of Patent: \*\* Dec. 26, 2017**

(54) **RAIL CLAMP**  
(71) Applicant: **Siemens Aktiengesellschaft**, Munich (DE)  
(72) Inventors: **Tobias Bauer**, Berlin (DE); **Marco Clemens**, Braunschweig (DE); **Alexander Jantschke**, Munich (DE); **Heiner Koerkemeier**, Lippstadt-Eickelborn (DE); **Oliver Meer**, Munich (DE); **Horst Pech**, Braunschweig (DE); **Ulf Truemper**, Wolfenbuettel (DE)

1,988,173 A \* 1/1935 Kersting ..... B61K 7/16  
188/2 R  
1,994,260 A \* 3/1935 Syckle ..... B61K 7/20  
188/36  
2,226,228 A \* 12/1940 Kunde ..... E06C 7/14  
220/480

(Continued)

**FOREIGN PATENT DOCUMENTS**

EM 001341549-0001 \* 9/2012  
EM 001448740-0001 \* 5/2016  
EM 001448740-0002 \* 5/2016

**OTHER PUBLICATIONS**

First Call Parts Accessory Rail Clamp, webiste 2017, <http://www.firstcallparts.com/portfolio/4775735-siemens-accessory-rail-clamp/>, [site visited Aug. 4, 2017 10:36:07 PM].\*

*Primary Examiner* — John Windmuller  
*Assistant Examiner* — John R Yeh  
(74) *Attorney, Agent, or Firm* — Schiff Hardin LLP

(73) Assignee: **Siemens Aktiengesellschaft**, Munich (DE)  
(\*\*) Term: **15 Years**  
(21) Appl. No.: **29/581,897**  
(22) Filed: **Oct. 24, 2016**

(30) **Foreign Application Priority Data**  
Apr. 25, 2016 (EM) ..... 001448740  
(51) **LOC (10) Cl.** ..... **08-08**  
(52) **U.S. Cl.**  
USPC ..... **D8/394**  
(58) **Field of Classification Search**  
USPC ..... D8/394-396; D22/108; D24/127-128,  
D24/183-184  
CPC . A47B 96/06; B60P 7/04; F41C 27/00; B61H  
7/12  
See application file for complete search history.

(57) **CLAIM**

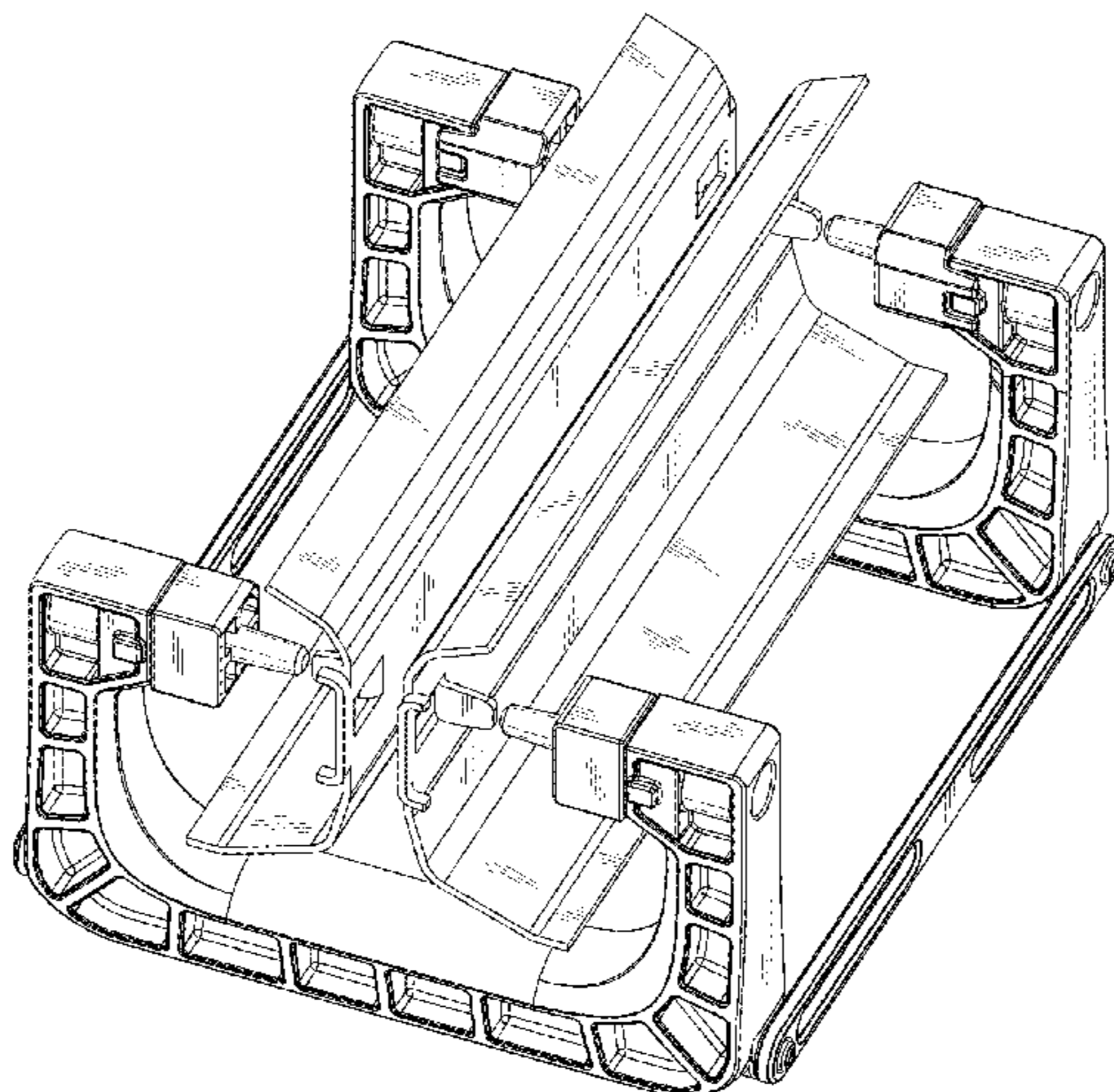
The ornamental design for a rail clamp, as shown and described.

**DESCRIPTION**

FIG. 1 is a front elevation view of a rail clamp showing our new design;  
FIG. 2 is a back elevational view thereof;  
FIG. 3 is a top plan view thereof;  
FIG. 4 is a bottom plan view thereof;  
FIG. 5 is a side elevational view of the right side thereof;  
FIG. 6 is a side elevational view of the left side thereof; and,  
FIG. 7 is a perspective view taken generally from the front, top, right-hand side thereof.  
High-quality electronic copies of the drawings are available in the U.S. Patent and Trademark Office's electronic record of this application.

(56) **References Cited**  
**U.S. PATENT DOCUMENTS**  
1,414,708 A \* 5/1922 Psilander ..... E01B 5/18  
238/21  
1,764,797 A \* 6/1930 Kersting ..... B66C 9/18  
188/43

**1 Claim, 7 Drawing Sheets**



(56)

**References Cited**

U.S. PATENT DOCUMENTS

3,246,867 A \* 4/1966 Ewing ..... E06C 7/14  
24/486  
4,583,269 A \* 4/1986 Harris ..... A47K 10/04  
223/96  
D306,136 S \* 2/1990 Lund ..... D8/373  
D346,003 S \* 4/1994 Anderson ..... D22/108  
5,450,659 A \* 9/1995 Bertram ..... A01M 23/245  
24/522  
5,636,893 A \* 6/1997 Wheatley ..... B60J 7/141  
16/354  
7,549,546 B2 \* 6/2009 Charge-Kroll ..... B66C 9/18  
212/271  
D612,715 S \* 3/2010 Weinberg ..... D8/394  
7,900,990 B2 \* 3/2011 Townson ..... B60P 7/0815  
296/100.16  
D654,551 S \* 2/2012 Williams ..... D22/107  
8,132,701 B2 \* 3/2012 Verhelst ..... B60R 9/10  
224/558  
D667,915 S \* 9/2012 Nakayama ..... D22/108  
D732,628 S \* 6/2015 Cheng ..... D22/108  
D753,990 S \* 4/2016 Swan ..... D22/108  
D776,783 S \* 1/2017 St. Phillips ..... D22/108  
2004/0218973 A1 \* 11/2004 Anscher ..... E05B 65/5292  
403/373  
2009/0274531 A1 \* 11/2009 Townson ..... B60P 7/0815  
410/104  
2013/0180152 A1 \* 7/2013 Speroni ..... F41C 27/00  
42/99  
2016/0281920 A1 \* 9/2016 Perez ..... F16M 13/022

\* cited by examiner

FIG 1

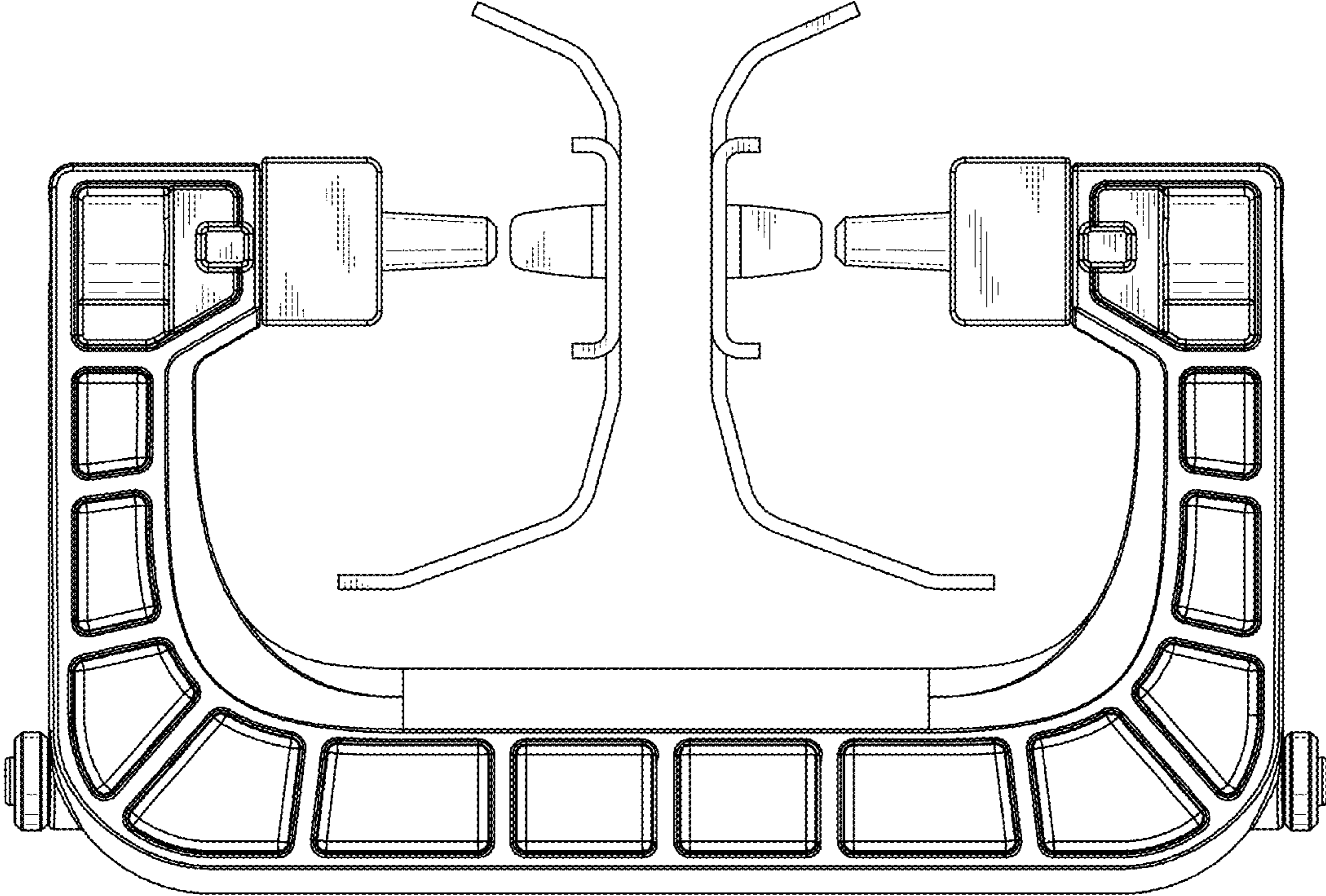


FIG 2

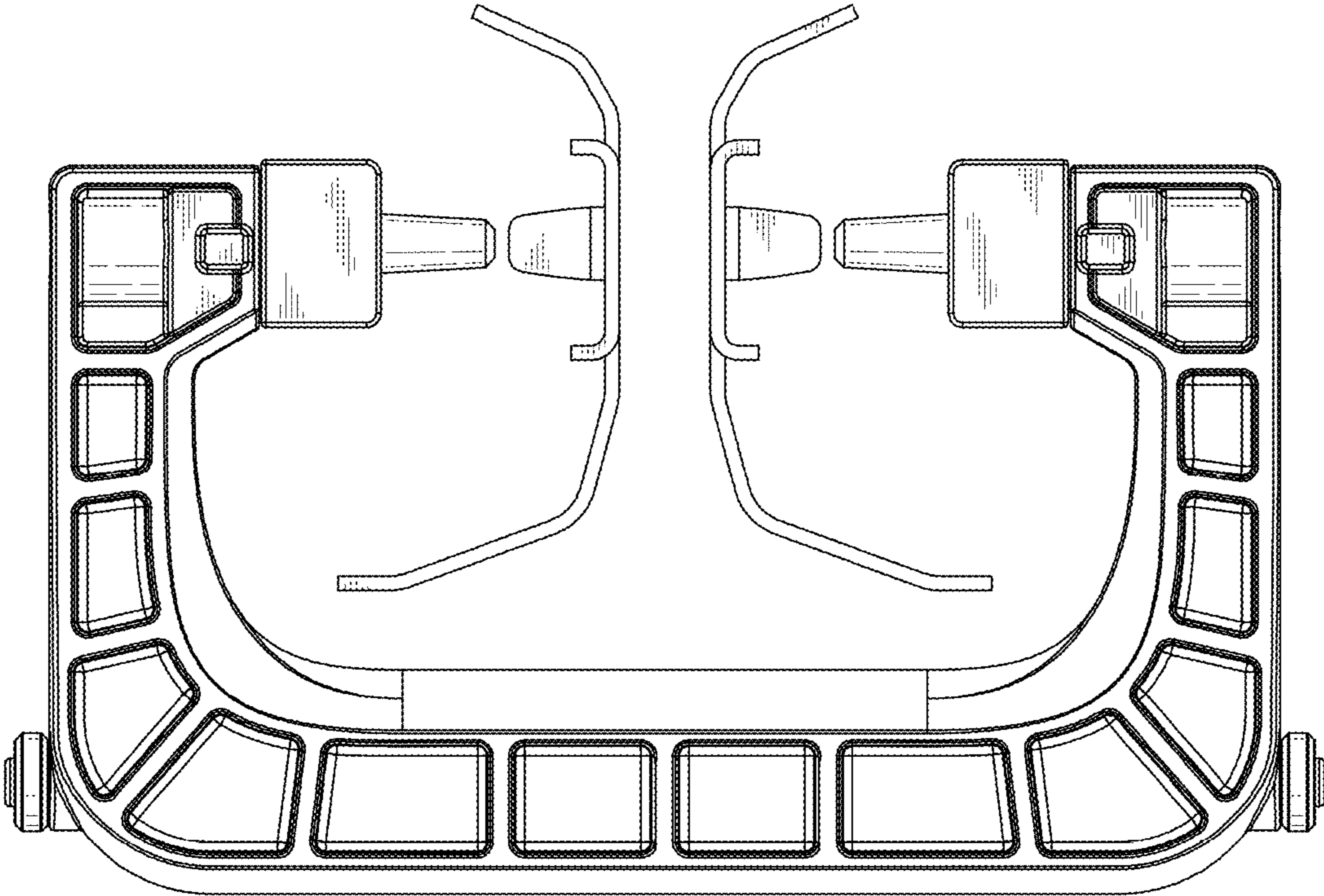


FIG 3

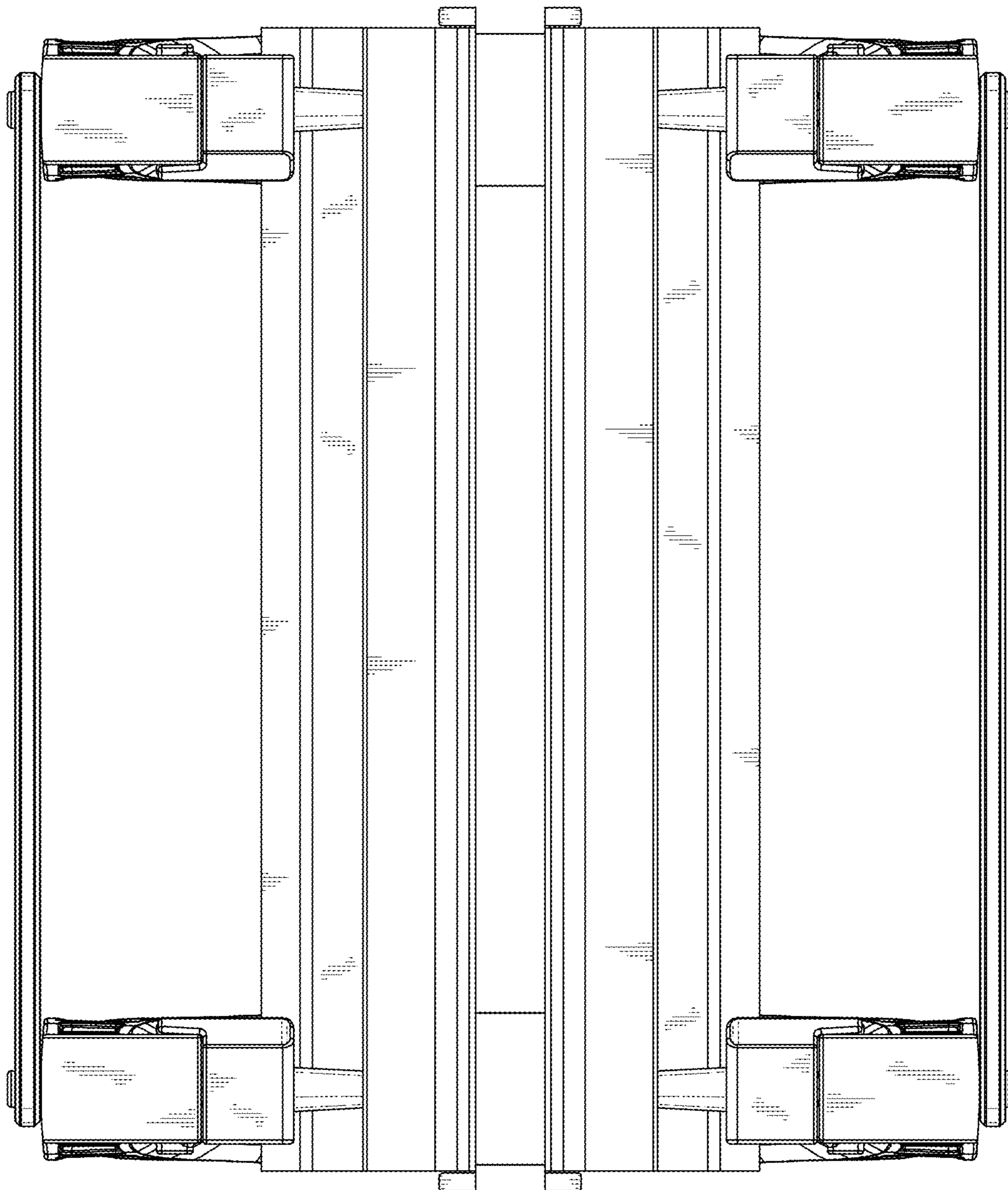


FIG 4

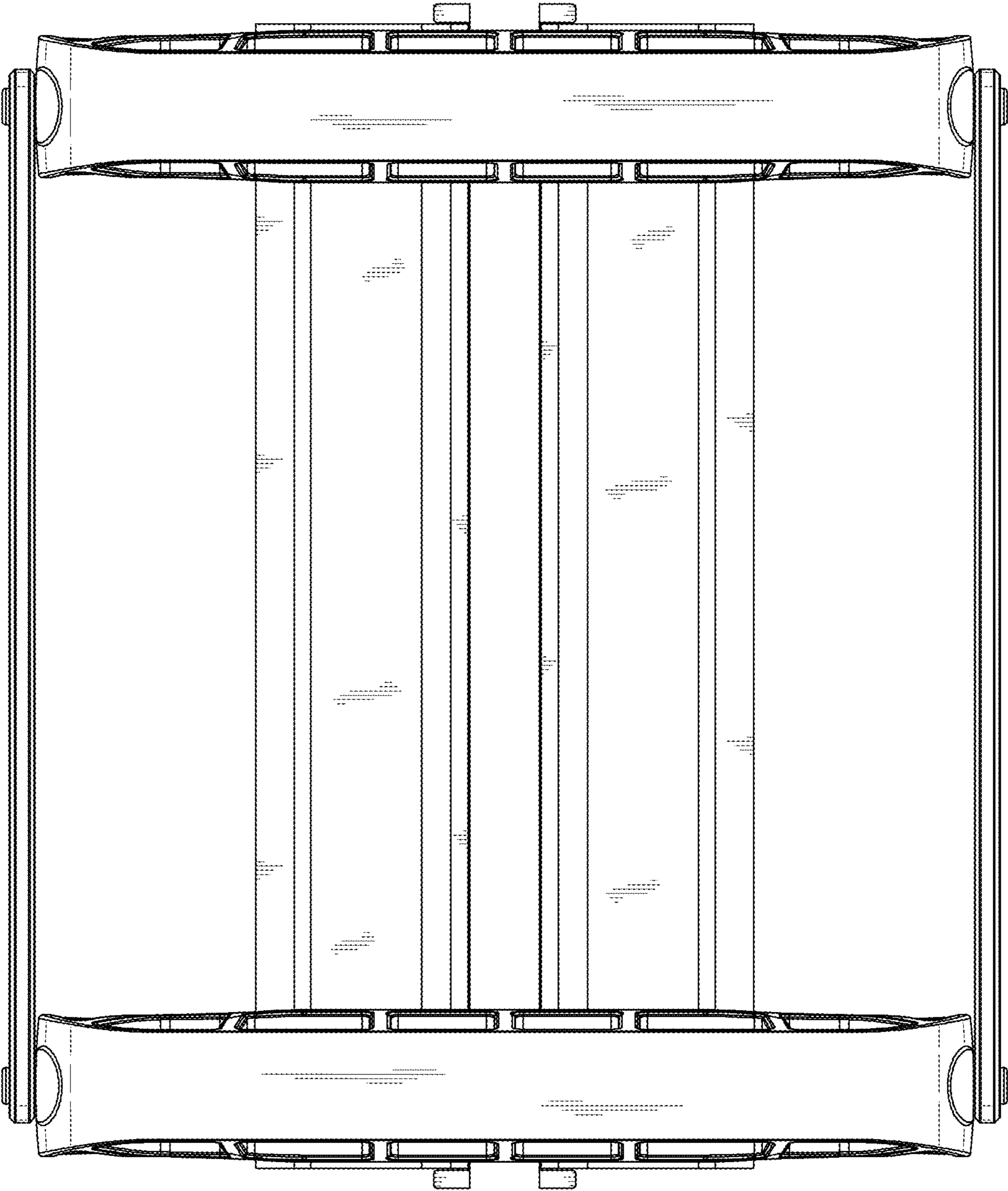


FIG 5

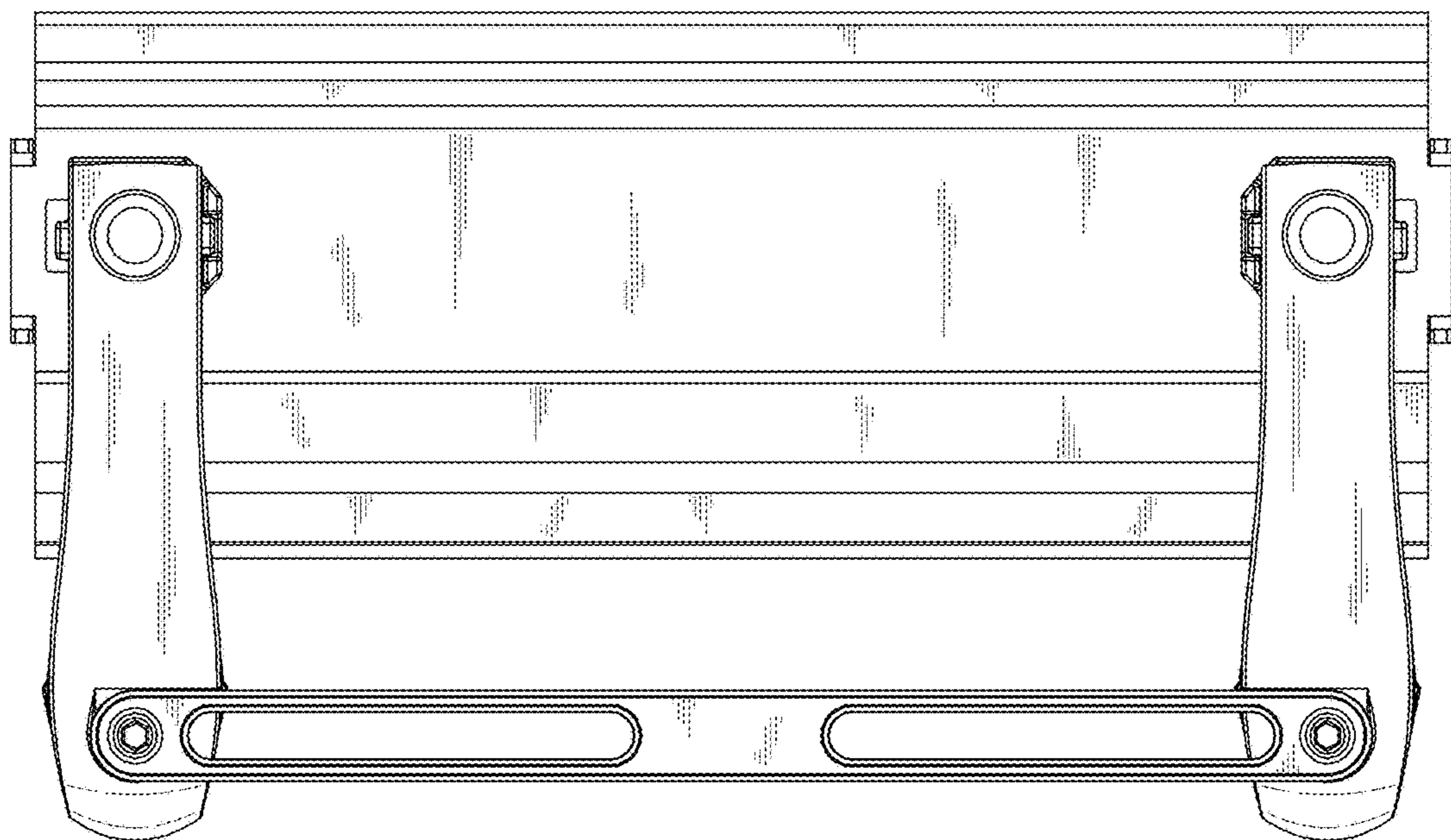


FIG 6

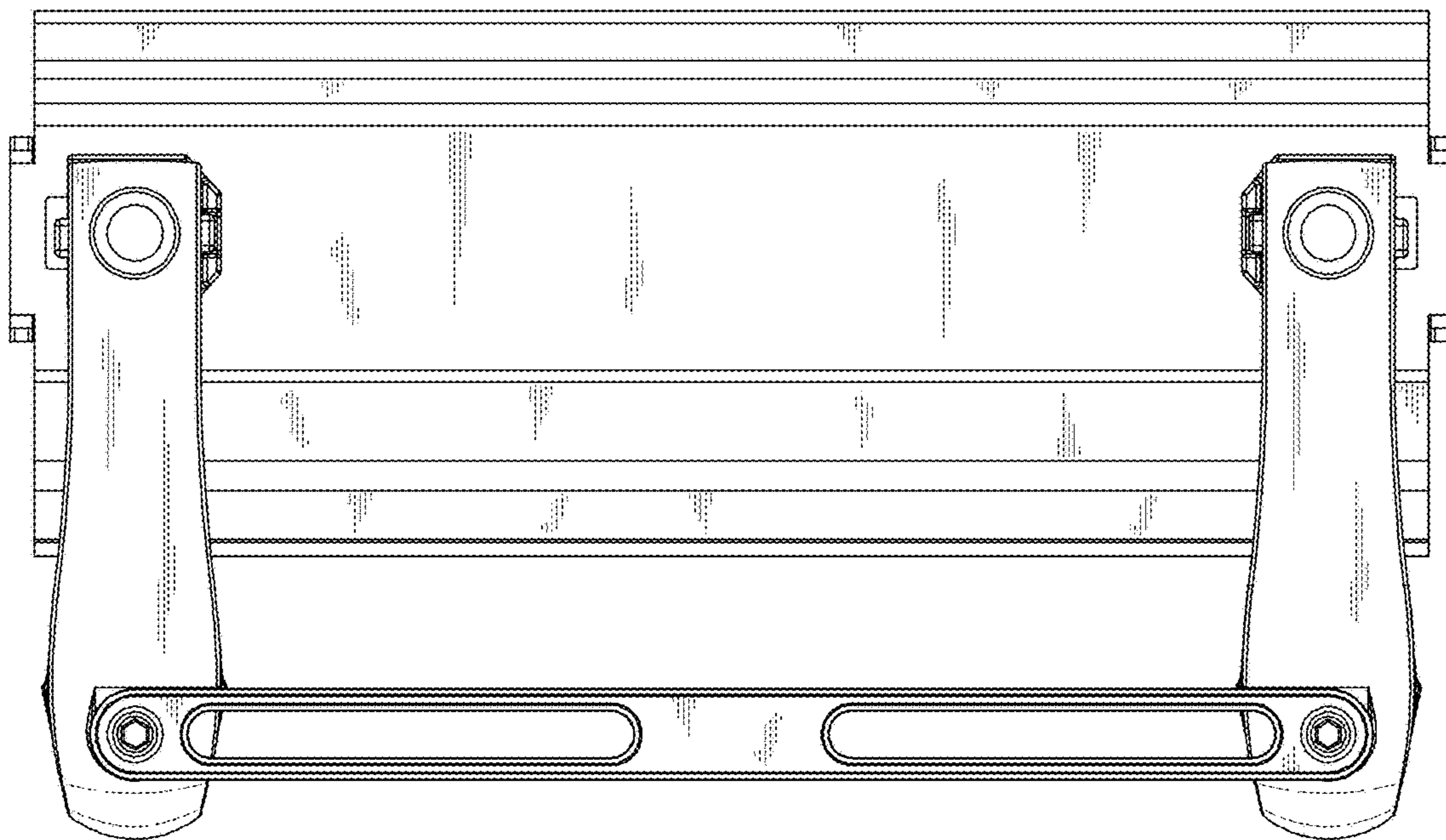




FIG 7

