



US00D805886S

(12) **United States Design Patent**  
**Shackleford**

(10) **Patent No.:** **US D805,886 S**

(45) **Date of Patent:** **\*\* Dec. 26, 2017**

- (54) **STAPLE**
- (71) Applicant: **Larry R. Shackleford**, Gold Hill, NC  
(US)
- (72) Inventor: **Larry R. Shackleford**, Gold Hill, NC  
(US)
- (\*\*) Term: **15 Years**
- (21) Appl. No.: **29/570,538**
- (22) Filed: **Jul. 8, 2016**
- (51) **LOC (10) Cl.** ..... **08-08**
- (52) **U.S. Cl.**  
USPC ..... **D8/389**; D8/390
- (58) **Field of Classification Search**  
USPC ..... D8/349, 354, 373, 380, 382, 388, 389,  
D8/390, 394, 391; D19/65, 66, 99, 100;  
D24/145  
CPC ..... A61B 17/064; A61B 2017/0641; Y10S  
411/92; F16B 15/0015; F16B 15/003;  
F16B 15/0038; F16B 2015/0069; F16B  
15/02; F16B 15/08  
See application file for complete search history.

- 5,314,065 A \* 5/1994 Ayres ..... F16B 15/0015  
206/340
- D377,754 S \* 2/1997 Abbott ..... D8/395
- D397,929 S \* 9/1998 Stridh ..... D8/390
- 7,267,682 B1 \* 9/2007 Bender ..... A61B 17/0644  
606/151
- D620,342 S \* 7/2010 Mikkelsen ..... D8/354
- D625,591 S \* 10/2010 MacDonald ..... D8/390
- 2007/0270906 A1 \* 11/2007 Molz ..... A61B 17/0642  
606/219
- 2009/0223027 A1 \* 9/2009 Reznar ..... E04F 15/04  
24/457
- 2015/0230839 A1 \* 8/2015 Riccione ..... A61B 17/8014  
606/297
- 2015/0275951 A1 \* 10/2015 Shadwell ..... E04F 15/02044  
411/511

\* cited by examiner

*Primary Examiner* — Sandra Snapp  
*Assistant Examiner* — Ieisha Price  
(74) *Attorney, Agent, or Firm* — Tuggle Duggins P.A.;  
Blake Hurt

(57) **CLAIM**

The ornamental design for a staple, as shown and described.

**DESCRIPTION**

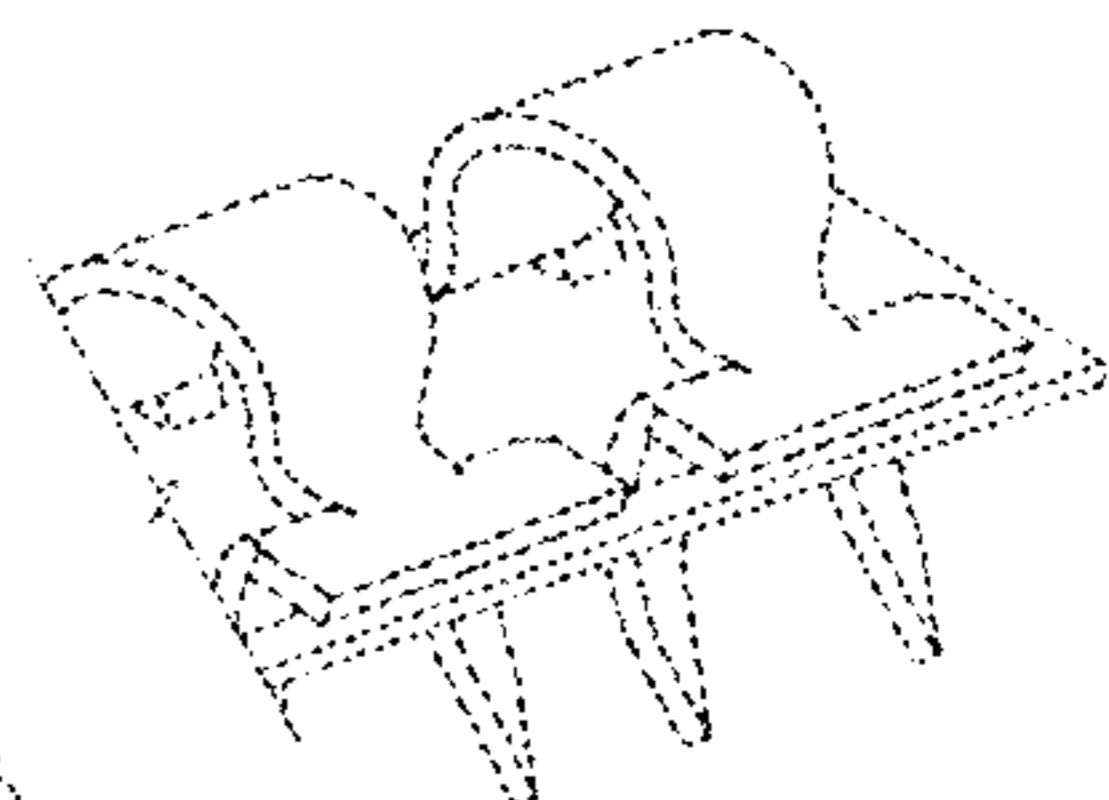
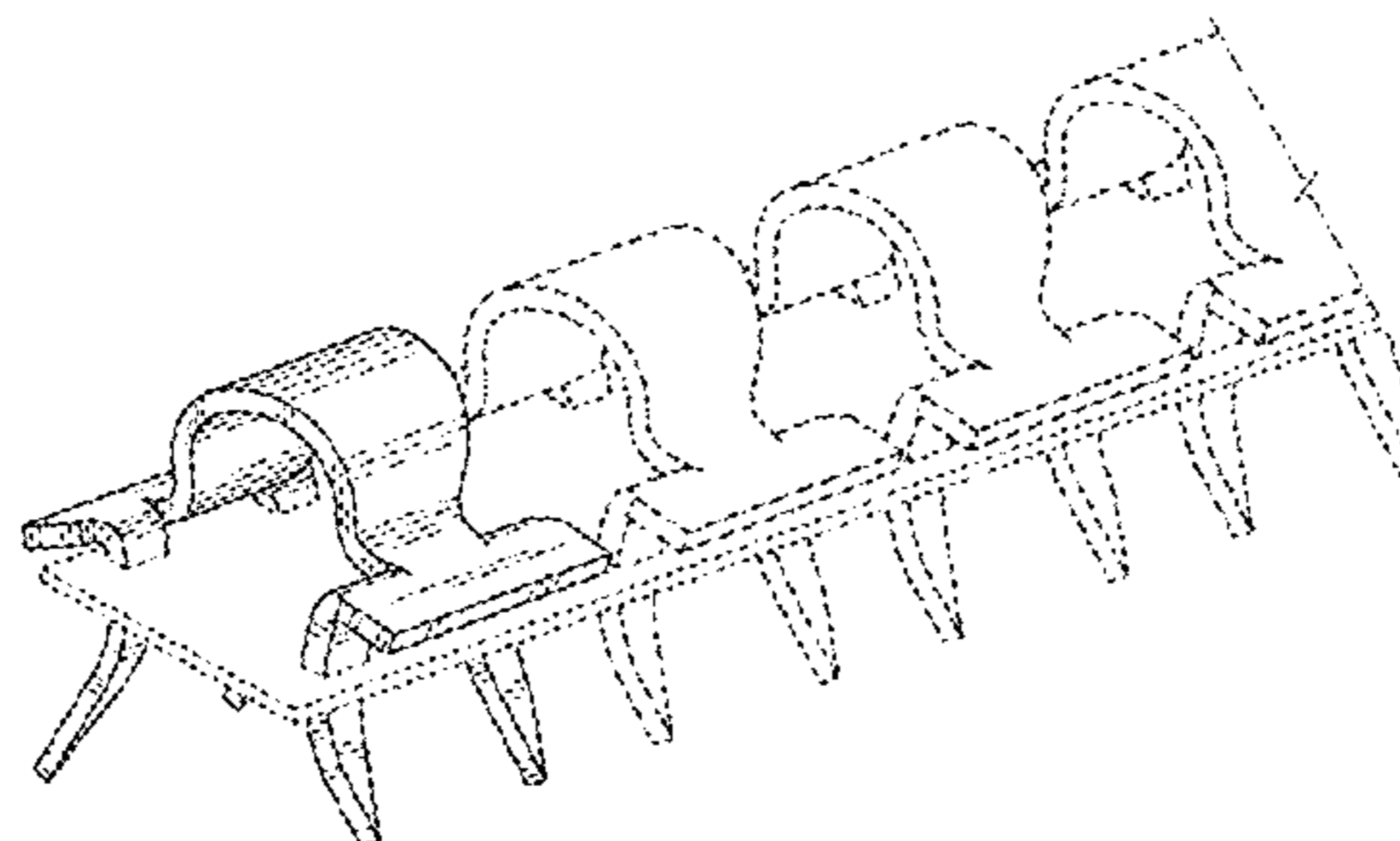
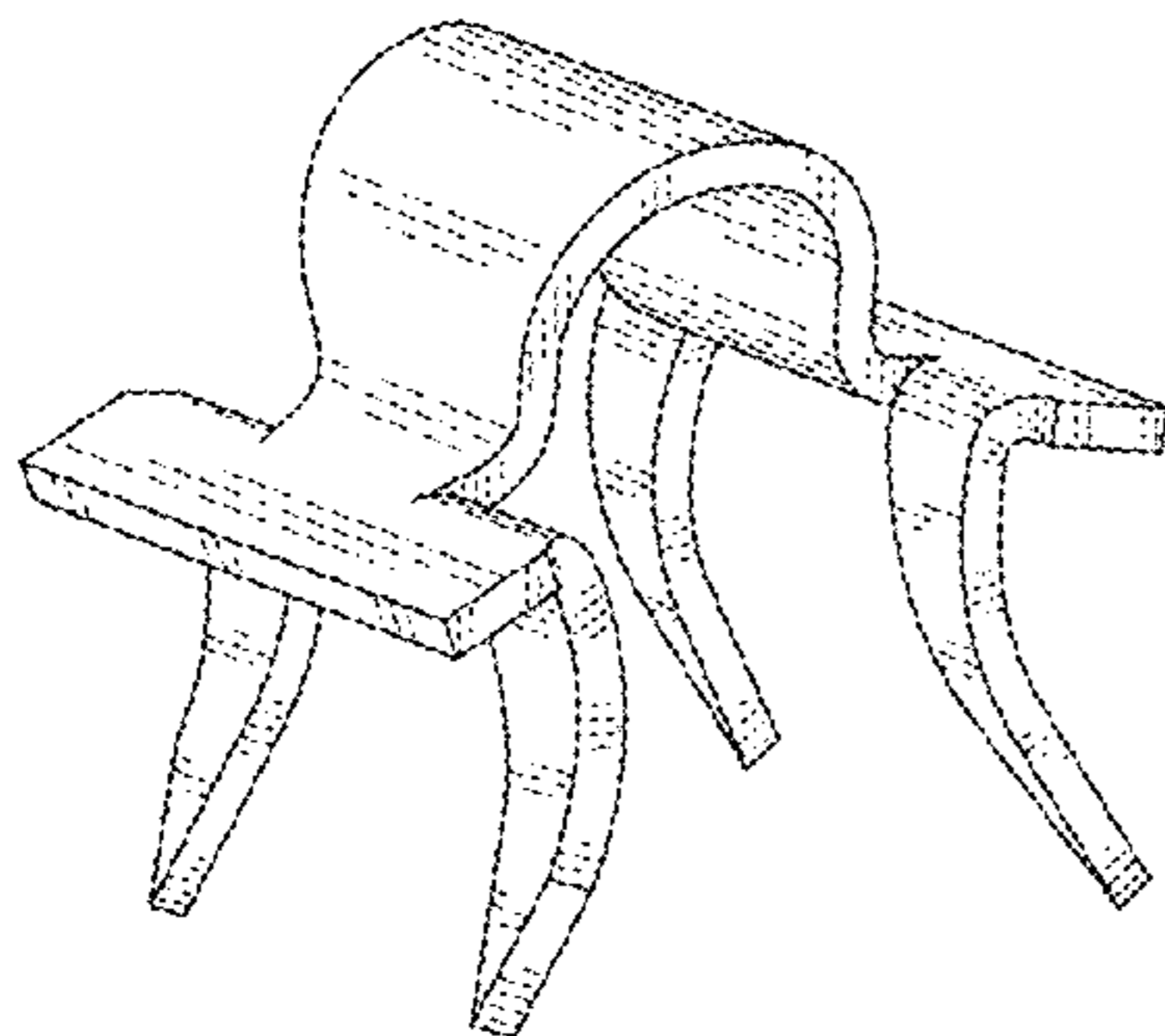
FIG. 1 is a top, front, right side perspective view of a staple showing my new design;  
FIG. 2 is a front elevational view thereof;  
FIG. 3 is a rear elevational view thereof;  
FIG. 4 is a left side elevational view thereof;  
FIG. 5 is a right side elevational view thereof;  
FIG. 6 is a bottom plan view thereof;  
FIG. 7 is a top plan view thereof; and,  
FIG. 8 is a top, front, left side environmental perspective view thereof, showing the staple with a series of staples.  
The broken lines showing of the staples and staple holder strip in FIG. 8 illustrates the environment of the claimed design and forms no part thereof.

**1 Claim, 4 Drawing Sheets**

(56) **References Cited**

U.S. PATENT DOCUMENTS

- 2,242,967 A \* 5/1941 Carlile ..... A44B 19/60  
206/343
- 2,345,053 A \* 3/1944 Judd ..... F16B 37/02  
411/523
- 2,467,604 A \* 4/1949 Tinnerman ..... B64C 1/06  
24/563
- 3,967,524 A \* 7/1976 Snow ..... E04F 13/0835  
411/461
- 4,229,888 A \* 10/1980 Rawson ..... A43B 13/34  
36/1
- 4,269,180 A \* 5/1981 Dall ..... A61B 17/0642  
606/281
- D312,772 S \* 12/1990 Paul ..... D8/373



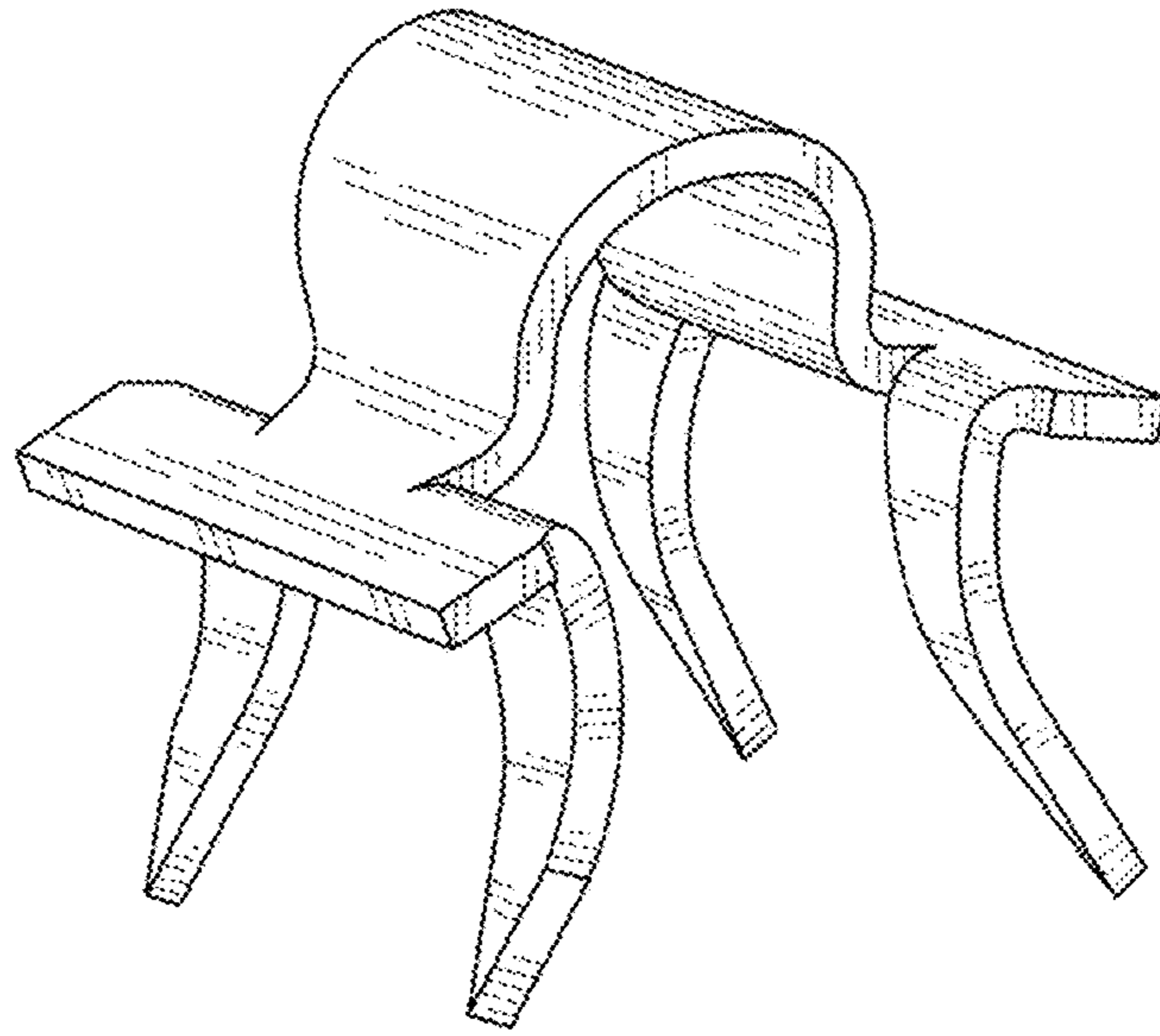


Fig. 1

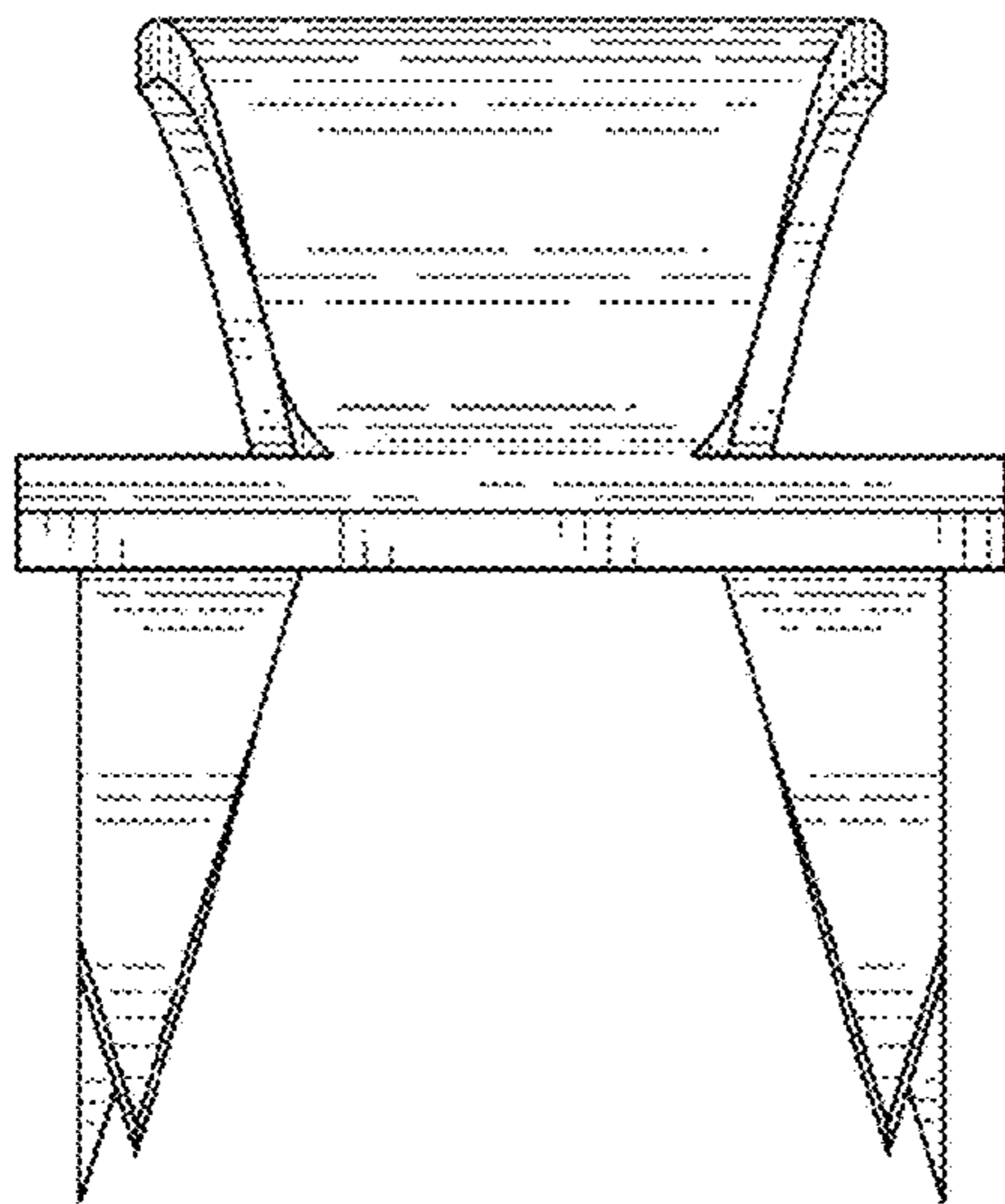


Fig. 2

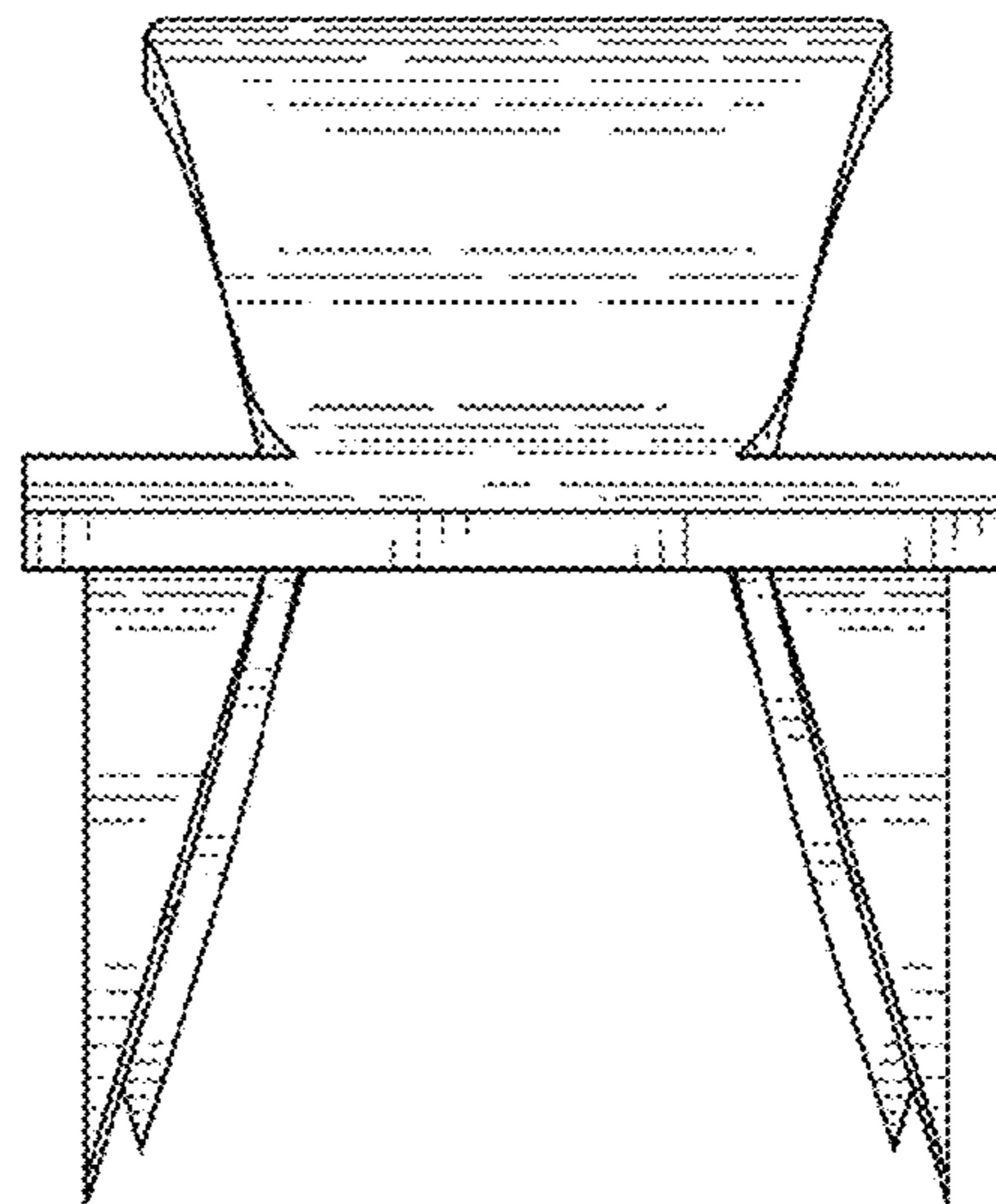


Fig. 3

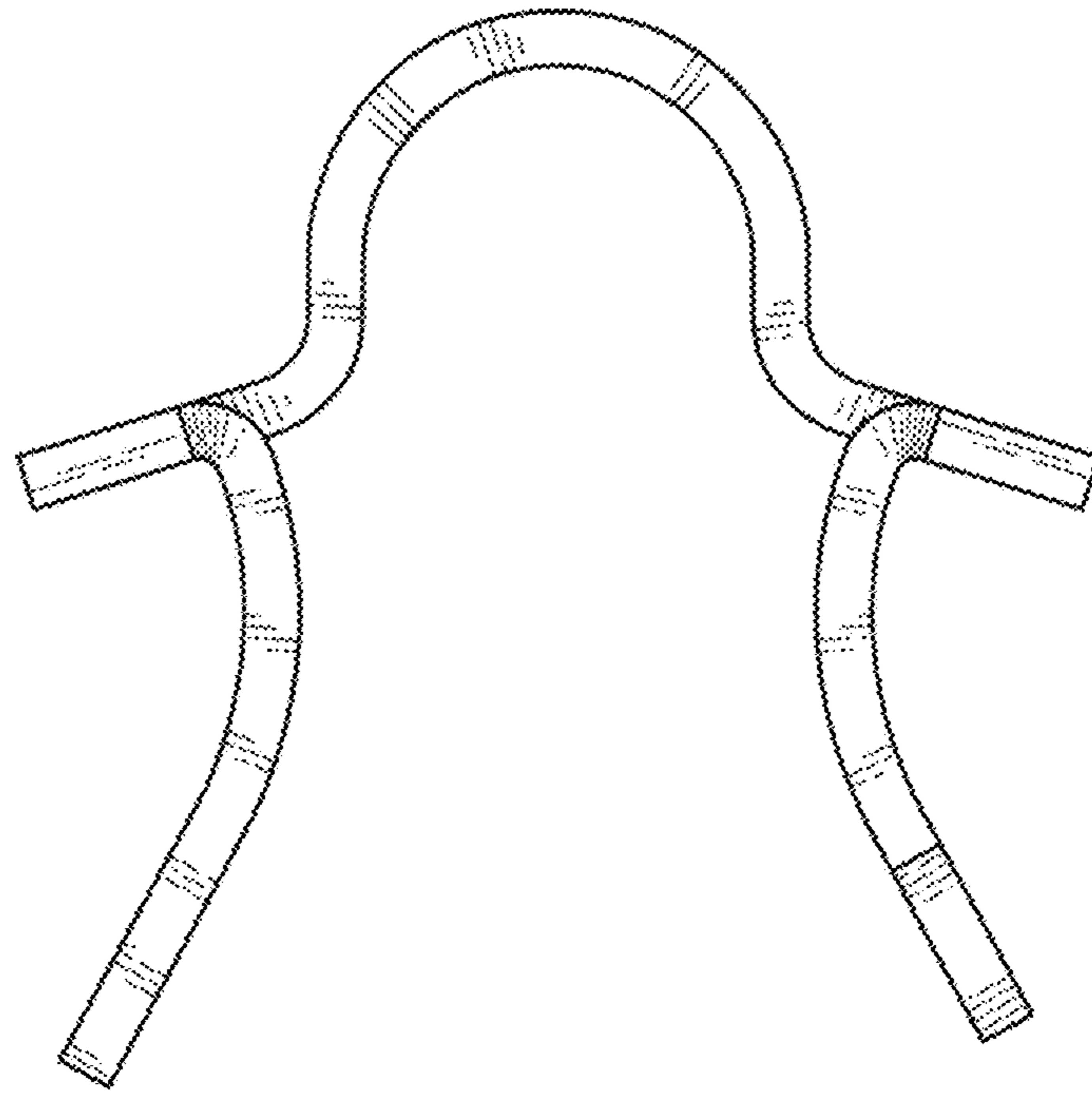


Fig. 4

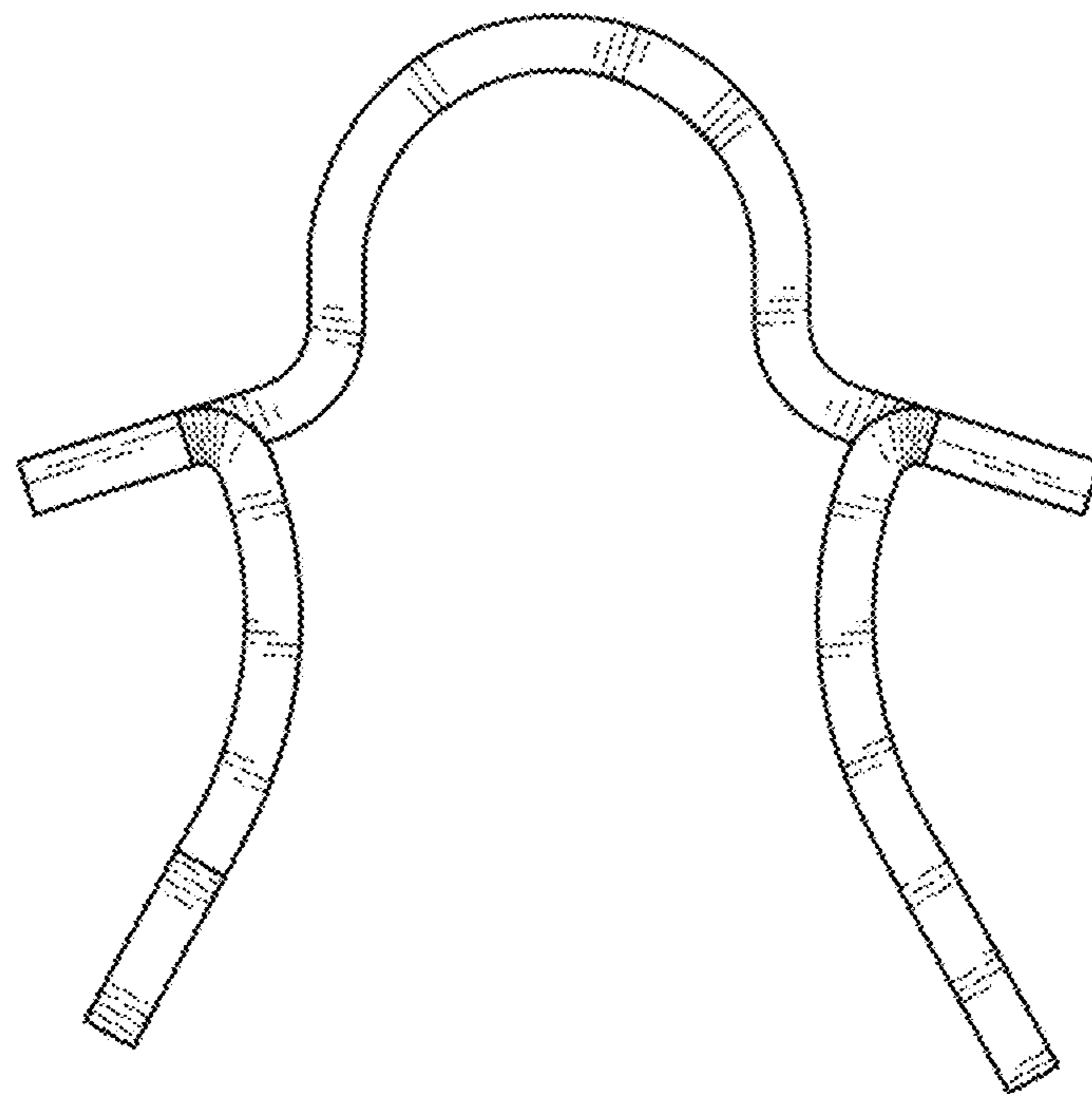


Fig. 5

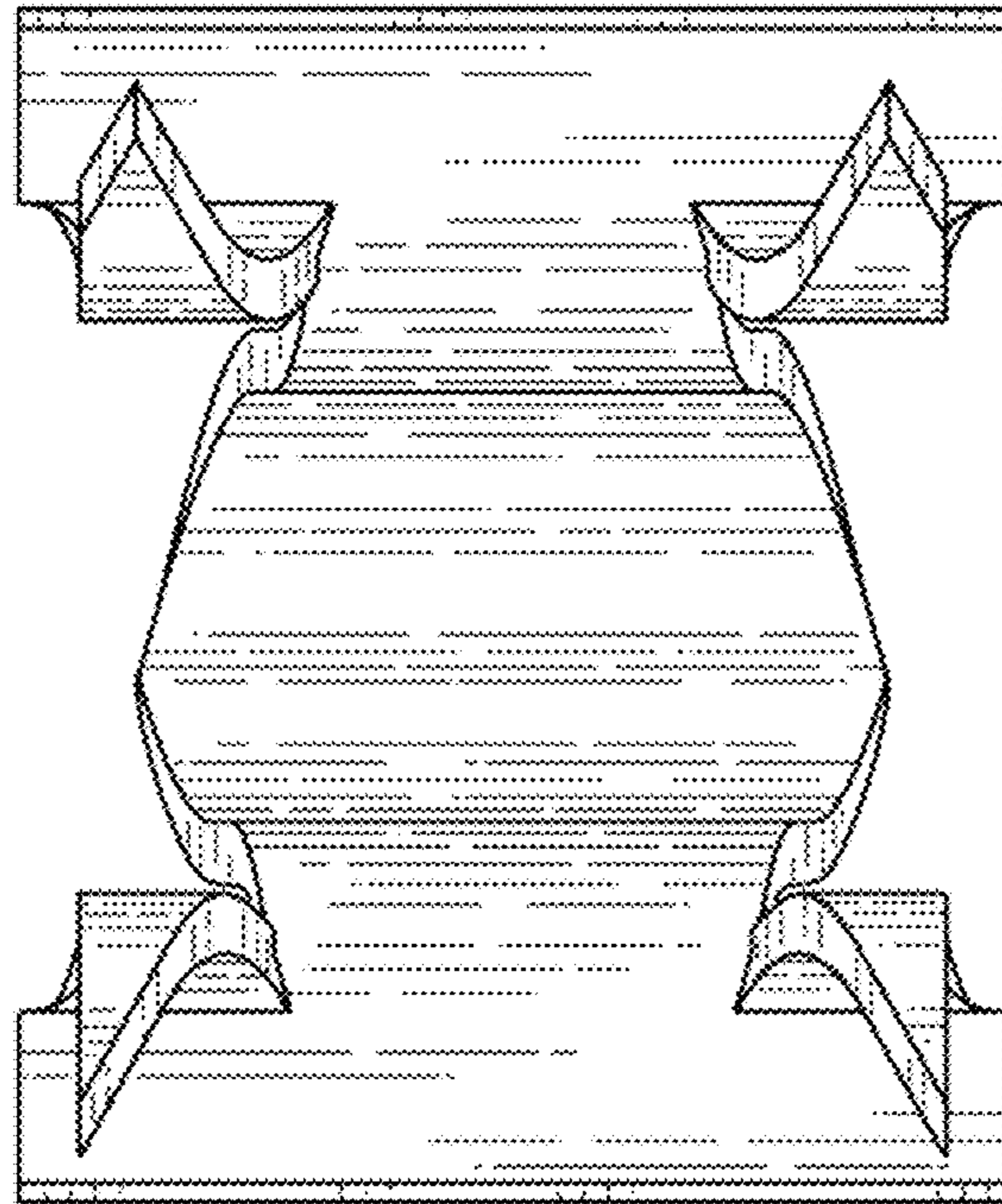


Fig. 6

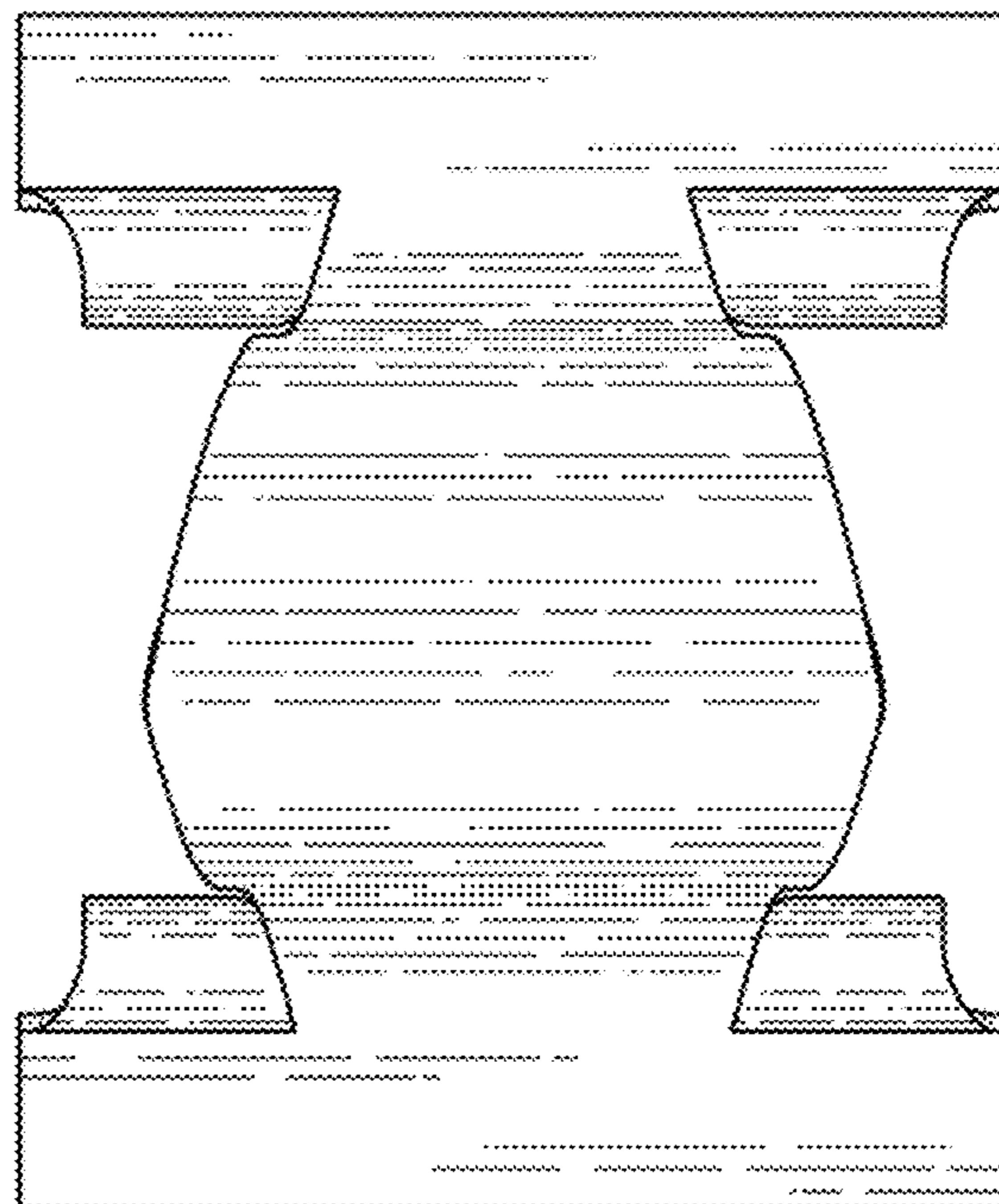


Fig. 7

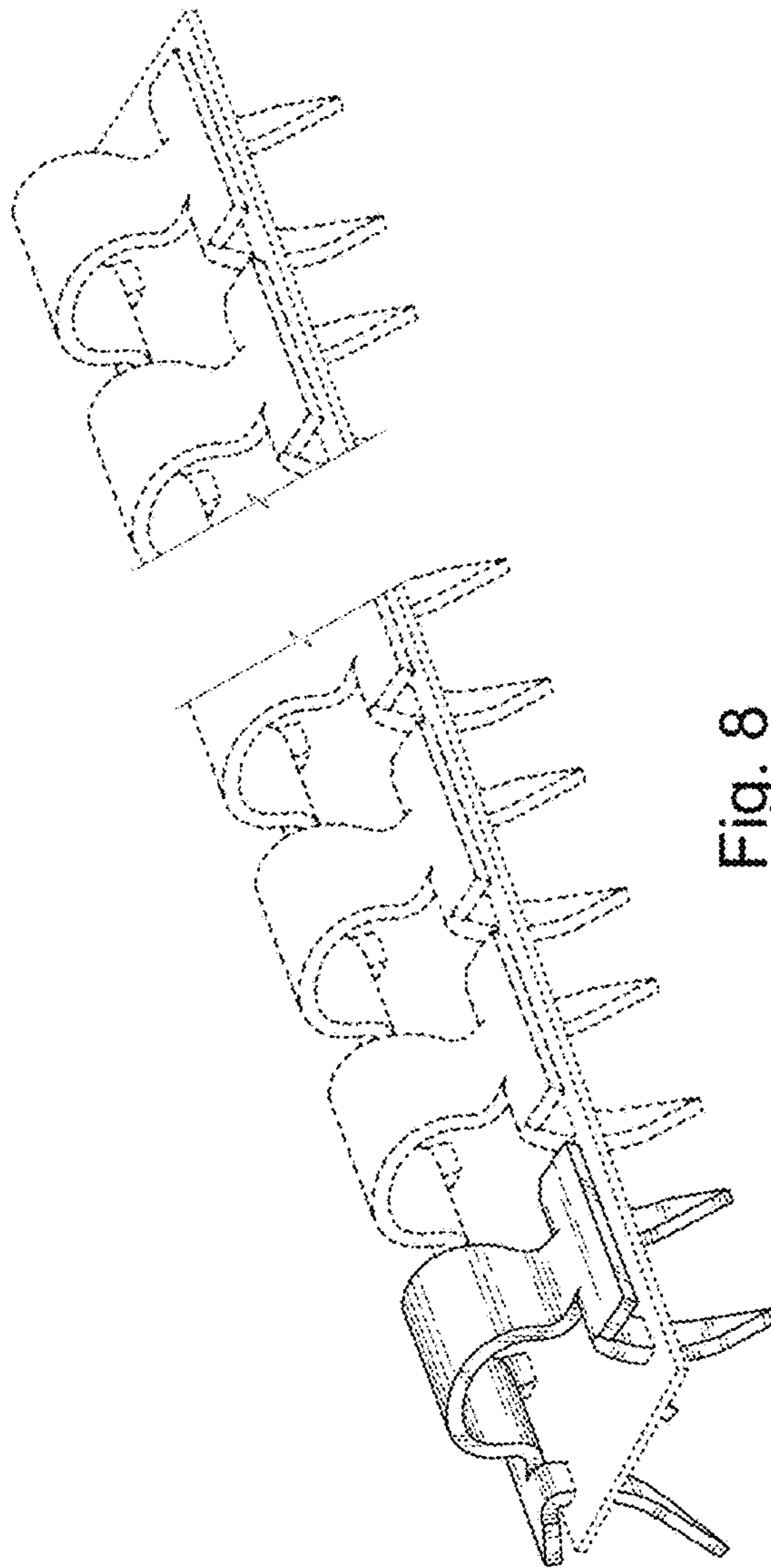


Fig. 8