



US00D805885S

(12) **United States Design Patent** (10) **Patent No.:** **US D805,885 S**
Karmarkar et al. (45) **Date of Patent:** **** Dec. 26, 2017**

(54) **CONNECTOR JOINT** 6,557,900 B1 * 5/2003 Austin F16L 19/005
285/354
(71) Applicant: **General Electric Company,** D549,091 S * 8/2007 McIntyre D8/399
Schenectady, NY (US) D659,529 S * 5/2012 Ojanen D8/399
D775,934 S * 1/2017 Hill D8/349
(72) Inventors: **Uday Prakash Karmarkar,** Erie, PA D776,519 S * 1/2017 Almaghlouth D8/399
(US); **William Martin,** Harrisville, PA D783,393 S * 4/2017 Weifenbach D8/399
(US) 2004/0050642 A1 * 3/2004 Martin F16D 43/08
192/70.19
(73) Assignee: **General Electric Company,** 2011/0318098 A1 * 12/2011 Gloaguen F16L 19/005
Schenectady, NY (US) 403/350
2013/0322797 A1 * 12/2013 Barth F16C 17/04
384/420
(**) Term: **15 Years** 2015/0226249 A1 * 8/2015 Otto F16B 31/028
29/525.02

(21) Appl. No.: **29/547,804**

* cited by examiner

(22) Filed: **Dec. 8, 2015**

Primary Examiner — Sandra Snapp

Related U.S. Application Data

Assistant Examiner — Ieisha Price

(62) Division of application No. 29/501,205, filed on Sep. 2, 2014, now abandoned.

(74) *Attorney, Agent, or Firm* — Global Patent Operation;
John A. Kramer

(51) **LOC (10) Cl.** **08-08**

(52) **U.S. Cl.**
USPC **D8/382**

(57) **CLAIM**

(58) **Field of Classification Search**
USPC D8/33, 349, 382, 383, 394, 396, 397,
D8/399, 499; D23/259, 260, 262, 263,
D23/264, 265, 266, 303, 499
CPC F16L 19/055; F16L 33/223; F16L 37/138;
F16L 33/22; F16L 21/02; F16L 19/00;
F16L 33/00; F16L 33/28; F16L 37/08;
F16L 19/07; F16L 47/04; F16L 9/06;
F16L 9/047; F16L 15/007; F16L 19/02;
F16L 19/005; F16L 19/0218; F16L
25/0054; F16L 51/03
See application file for complete search history.

The ornamental design for a connector joint, as shown and described.

DESCRIPTION

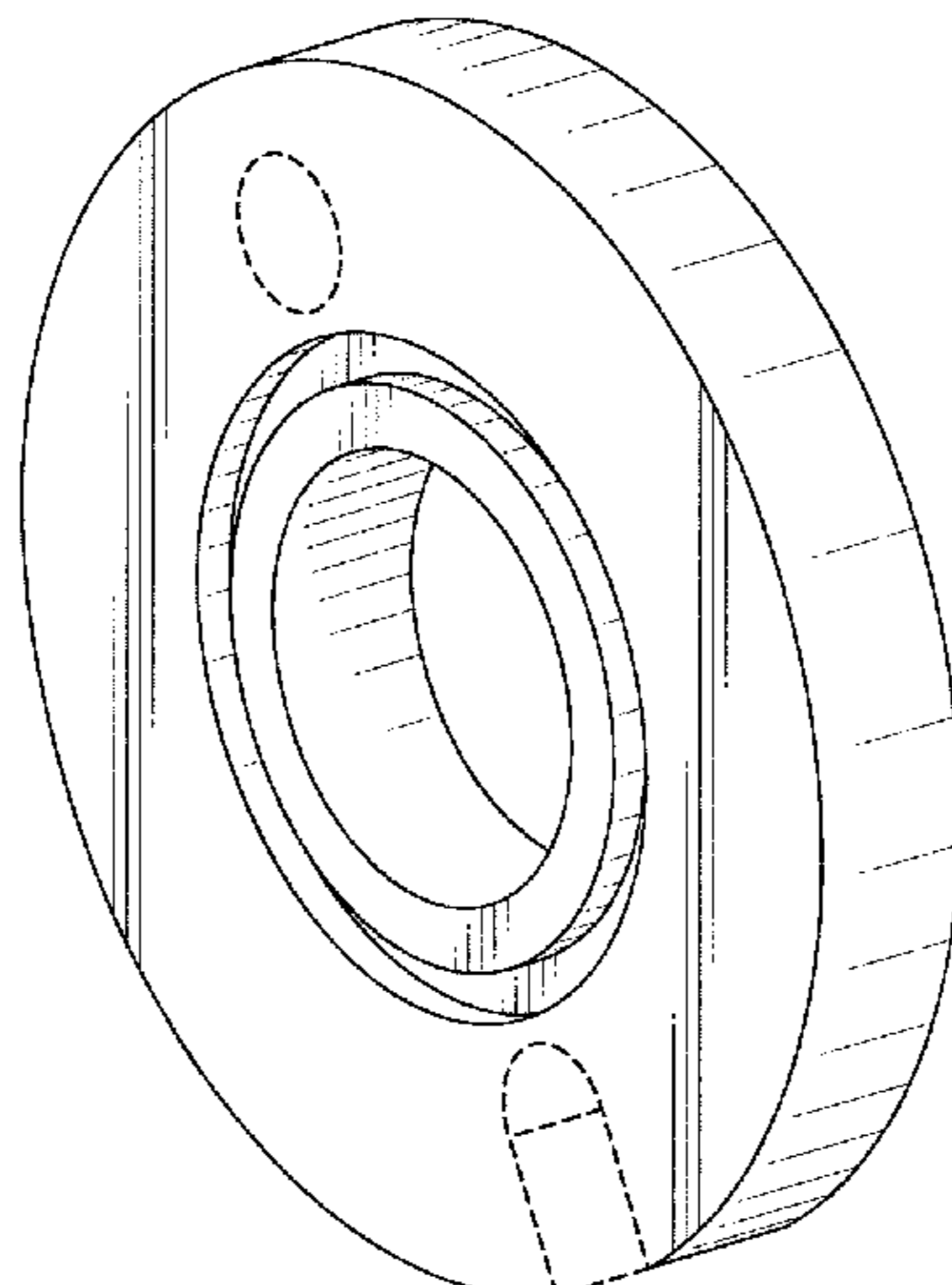
(56) **References Cited**

U.S. PATENT DOCUMENTS

D268,566 S * 4/1983 Frieberg D8/399
5,618,145 A * 4/1997 Kuo F16B 21/186
411/368

FIG. 1 is a perspective view of a connector joint showing our new design;
FIG. 2 is a front elevational view thereof, the rear view being symmetrical;
FIG. 3 is a side elevational view thereof, the opposite side view being symmetrical;
FIG. 4 is a top elevational view thereof; and,
FIG. 5 is a bottom elevational view thereof.
The broken line portion of the figures is included to show unclaimed subject matter only and forms no part of the claimed design.

1 Claim, 2 Drawing Sheets



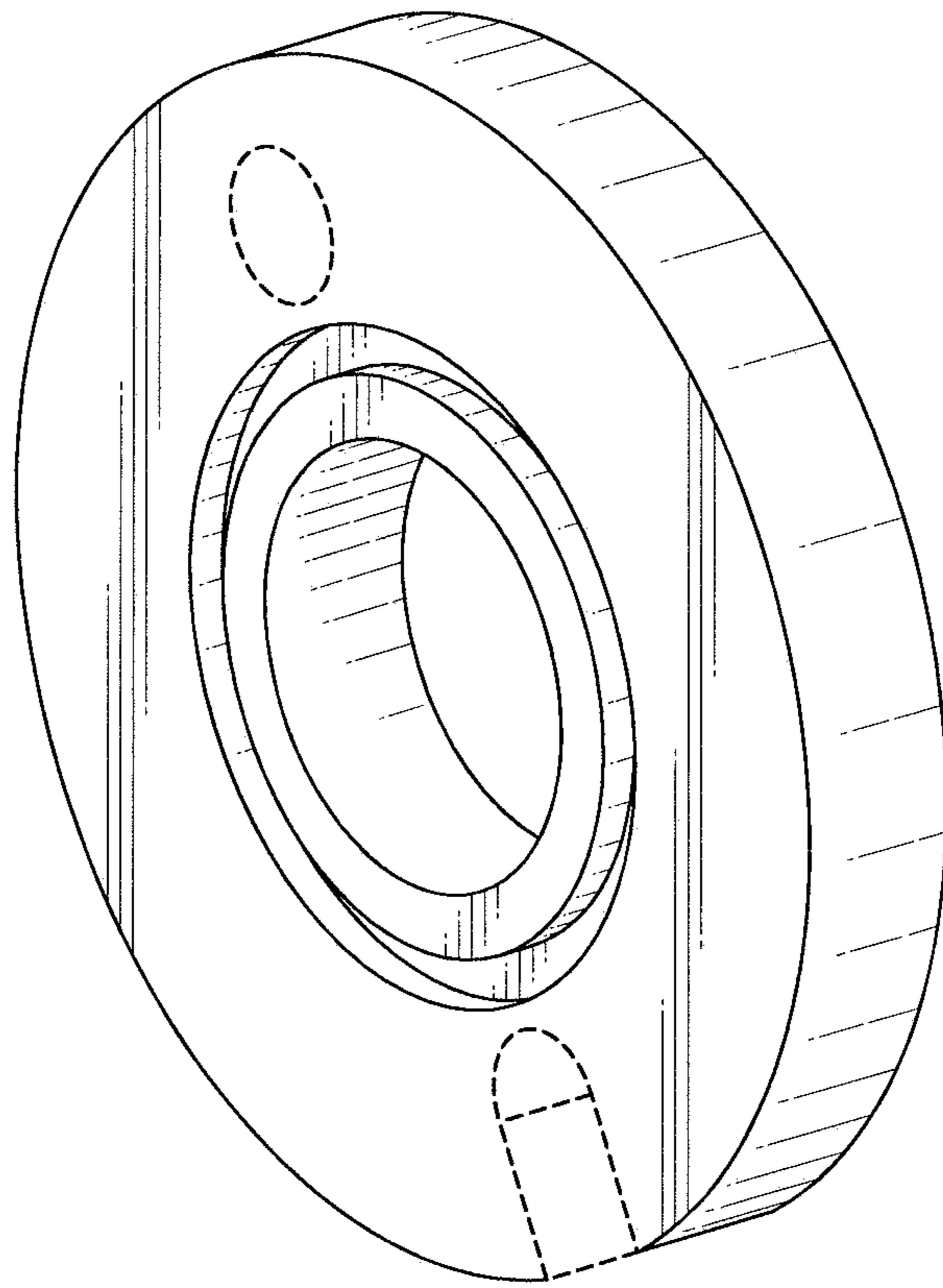


FIG. 1

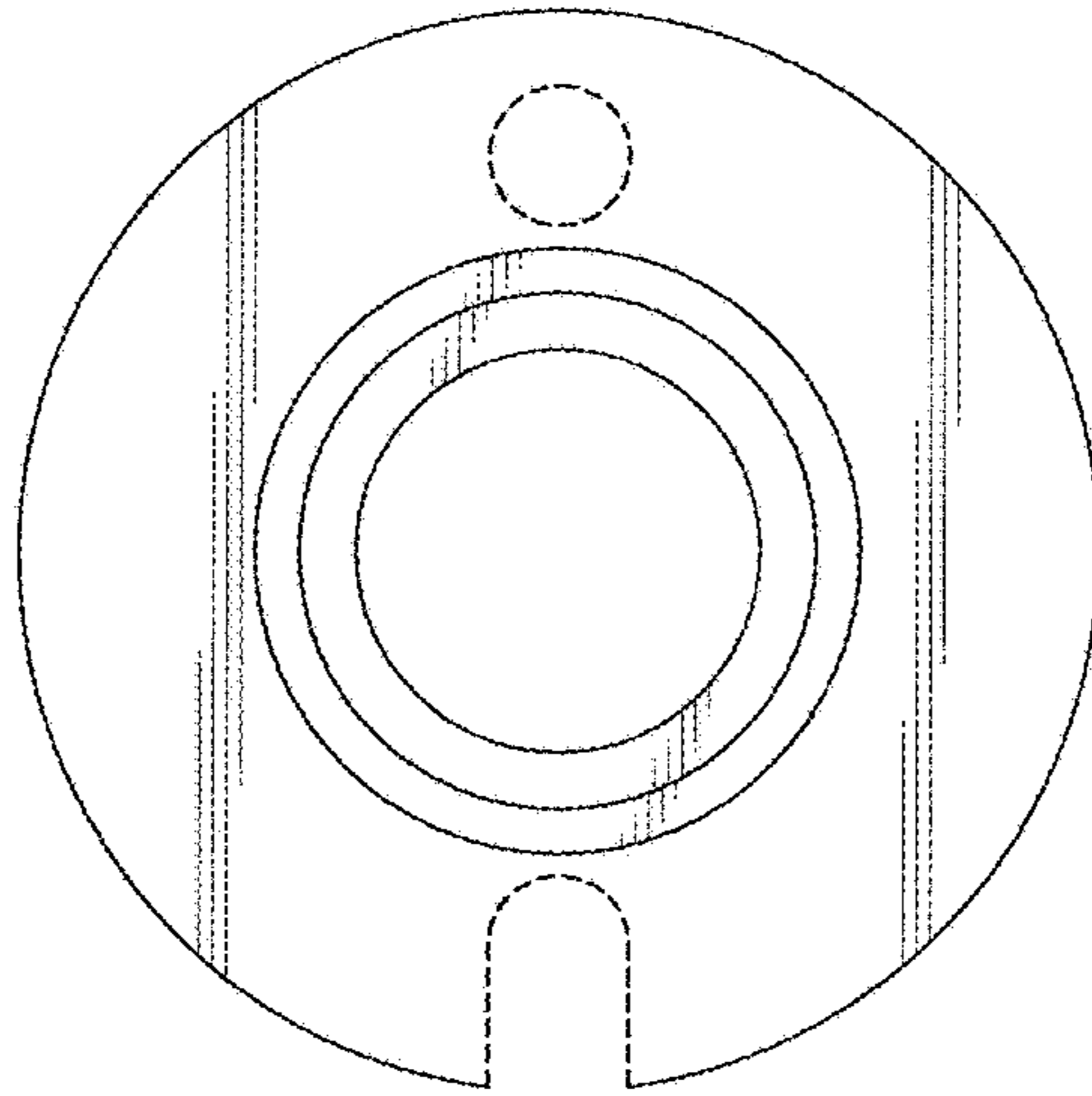


FIG. 2

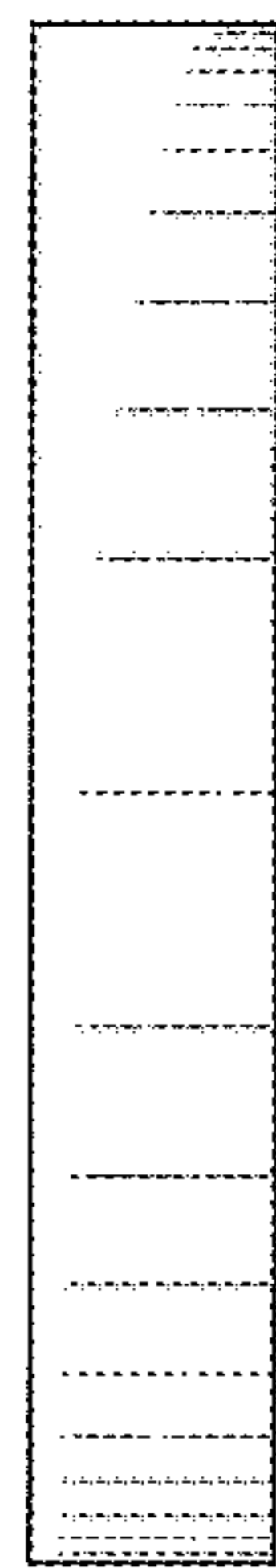


FIG. 3

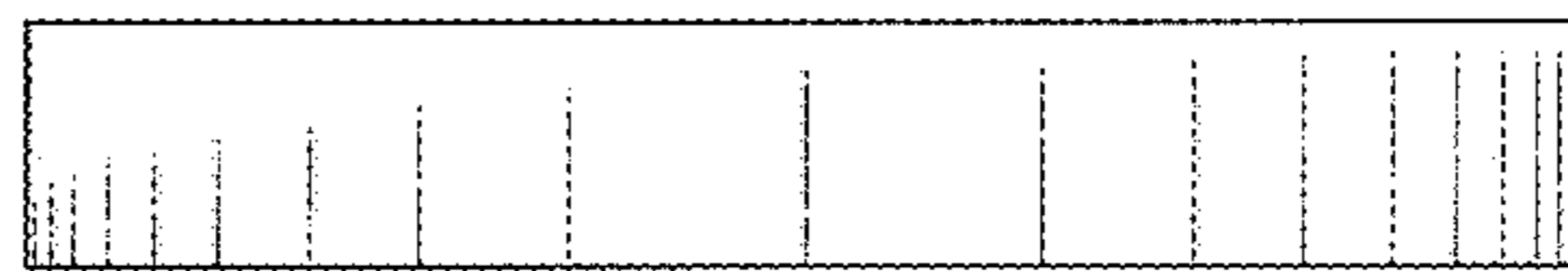


FIG. 4



FIG. 5