



US00D805884S

(12) **United States Design Patent**
Evitt

(10) **Patent No.:** **US D805,884 S**
(45) **Date of Patent:** **** Dec. 26, 2017**

(54) **FEMALE CONNECTOR**
(71) Applicant: **TECNA DISPLAY LIMITED**, London (GB)
(72) Inventor: **Jonathan Evitt**, London (GB)
(73) Assignee: **TECNA DISPLAY LIMITED**, London (GB)
(**) Term: **15 Years**
(21) Appl. No.: **29/539,585**
(22) Filed: **Sep. 15, 2015**

3,860,209 A * 1/1975 Strecker B60P 7/13
24/265 CD
4,202,244 A * 5/1980 Gutshall F16B 23/0023
411/404
D264,552 S * 5/1982 Bogren D8/387
4,355,552 A * 10/1982 Gutshall F16B 23/0023
411/404
4,527,760 A * 7/1985 Salacuse A47K 1/09
24/DIG. 53
4,877,361 A * 10/1989 DeRosa B60P 7/0807
410/112
5,145,302 A * 9/1992 Harley B29C 33/0033
411/404
5,597,260 A * 1/1997 Peterson F16B 21/04
403/316
D581,986 S * 12/2008 Evitt D20/43
(Continued)

(30) **Foreign Application Priority Data**

Aug. 27, 2015 (EM) 002761866
(51) **LOC (10) Cl.** **08-08**
(52) **U.S. Cl.**
USPC **D8/382**
(58) **Field of Classification Search**
USPC D8/349, 354, 355, 373, 374, 380, 382,
D8/387, 388, 394, 399, 499, 300, 310,
D8/321
CPC F16B 21/09; F16B 7/0426; F16B 7/048;
F16B 12/26; F16B 23/00; F16B 23/0007;
F16B 23/0023; F16B 23/003; F16B
23/0038; F16B 23/0046; F16B 23/0053;
F16B 23/0061; A47B 47/0016; A47B
47/005; E04B 1/5831; E04B 1/1912;
Y10T 403/7007
See application file for complete search history.

Primary Examiner — Sandra Snapp
Assistant Examiner — Ieisha Price
(74) *Attorney, Agent, or Firm* — Donald E. Stout; Stout,
Uxa & Buyan, LLP

(57) **CLAIM**

The ornamental design for a female connector, as shown and described.

DESCRIPTION

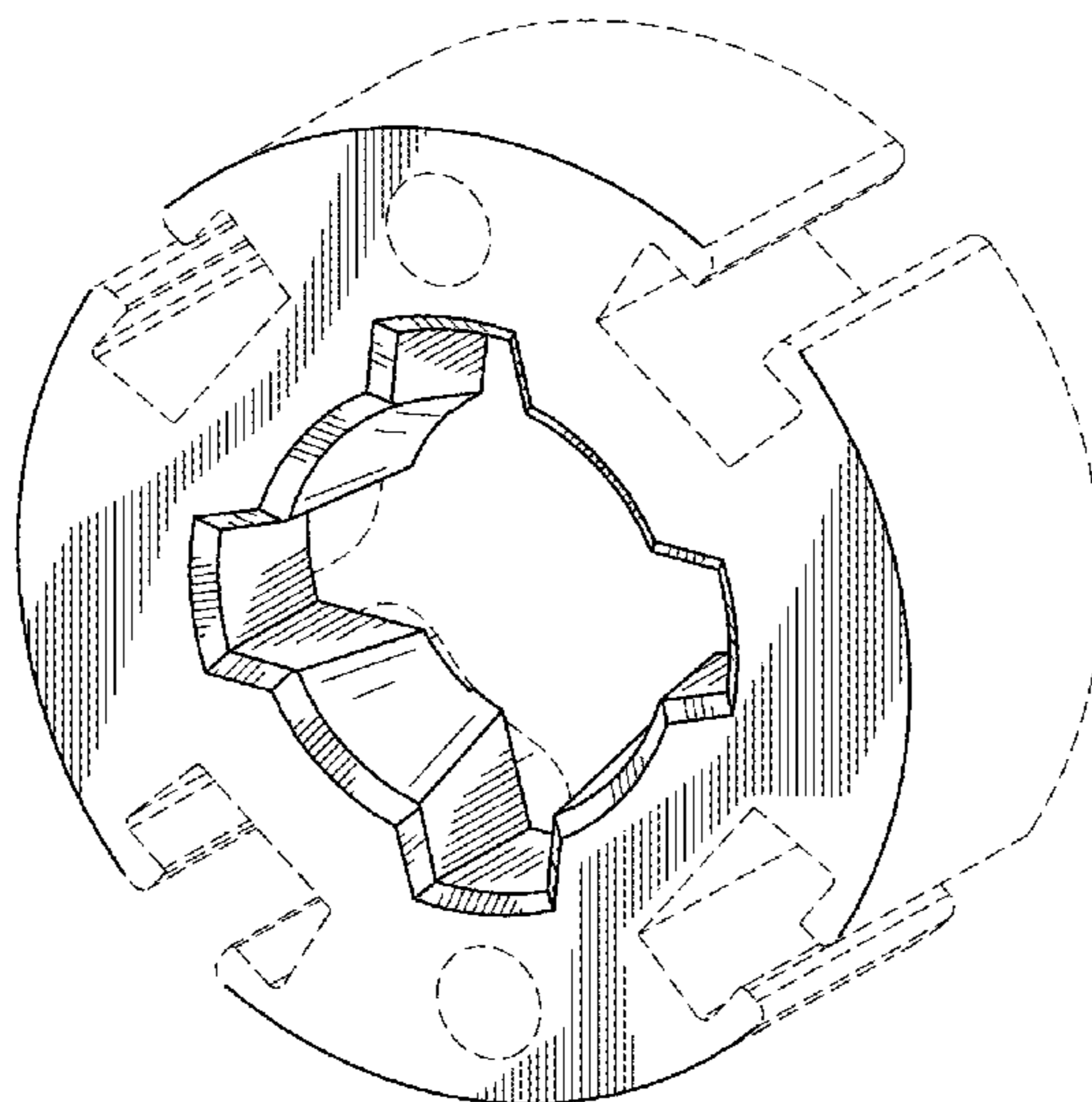
FIG. 1 is an isometric view of the female connector showing my new invention;
FIG. 2 is an isometric view, from a reverse orientation, of the female connector shown in FIG. 1;
FIG. 3 is a top view of the female connector of FIGS. 1-2;
FIG. 4 is a side elevation of the female connector of FIGS. 1-3; and,
FIG. 5 is a bottom view of the female connector of FIGS. 1-4.
The broken lines in the drawings illustrate portions of the female connector and form no part of the claimed design.

(56) **References Cited**

U.S. PATENT DOCUMENTS

2,140,449 A * 12/1938 Brown F16B 23/0007
411/410
2,874,984 A * 2/1959 Bernard A47F 3/12
403/173

1 Claim, 5 Drawing Sheets



(56)

References Cited

U.S. PATENT DOCUMENTS

8,360,385 B2 * 1/2013 Burg B60P 7/0807
248/499
9,086,087 B1 * 7/2015 Sharman F16B 21/04
D755,042 S * 5/2016 Kalis D8/387
2008/0267696 A1 * 10/2008 De Wilde A63H 33/106
403/170
2012/0009013 A1 * 1/2012 Evitt A47B 47/005
403/349
2014/0115861 A1 * 5/2014 Mellis A47B 47/0008
29/428
2014/0241794 A1 * 8/2014 Sim E04B 1/5831
403/349
2015/0289682 A1 * 10/2015 Evitt G09F 15/0012
211/183

* cited by examiner

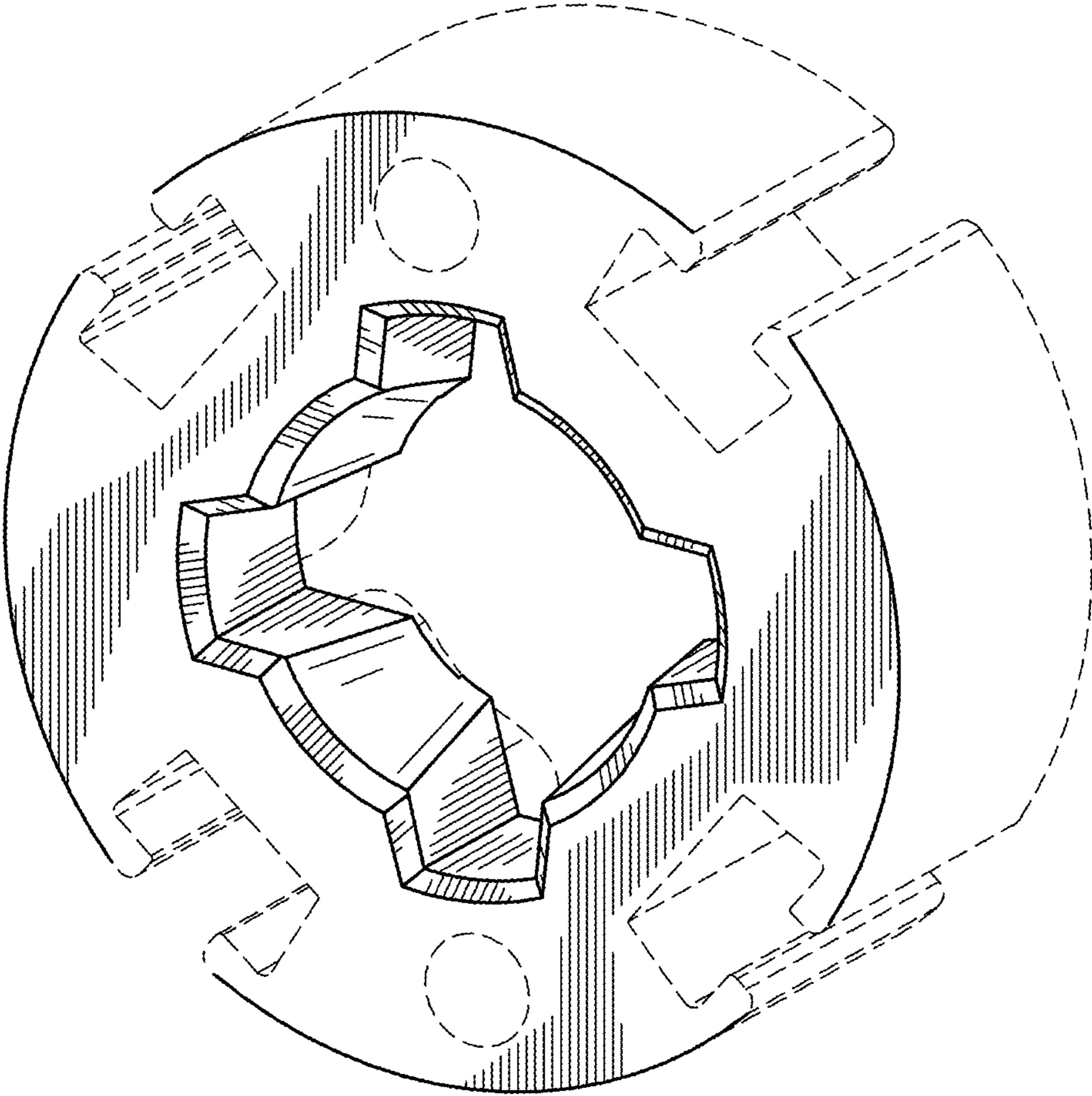


FIG. 1

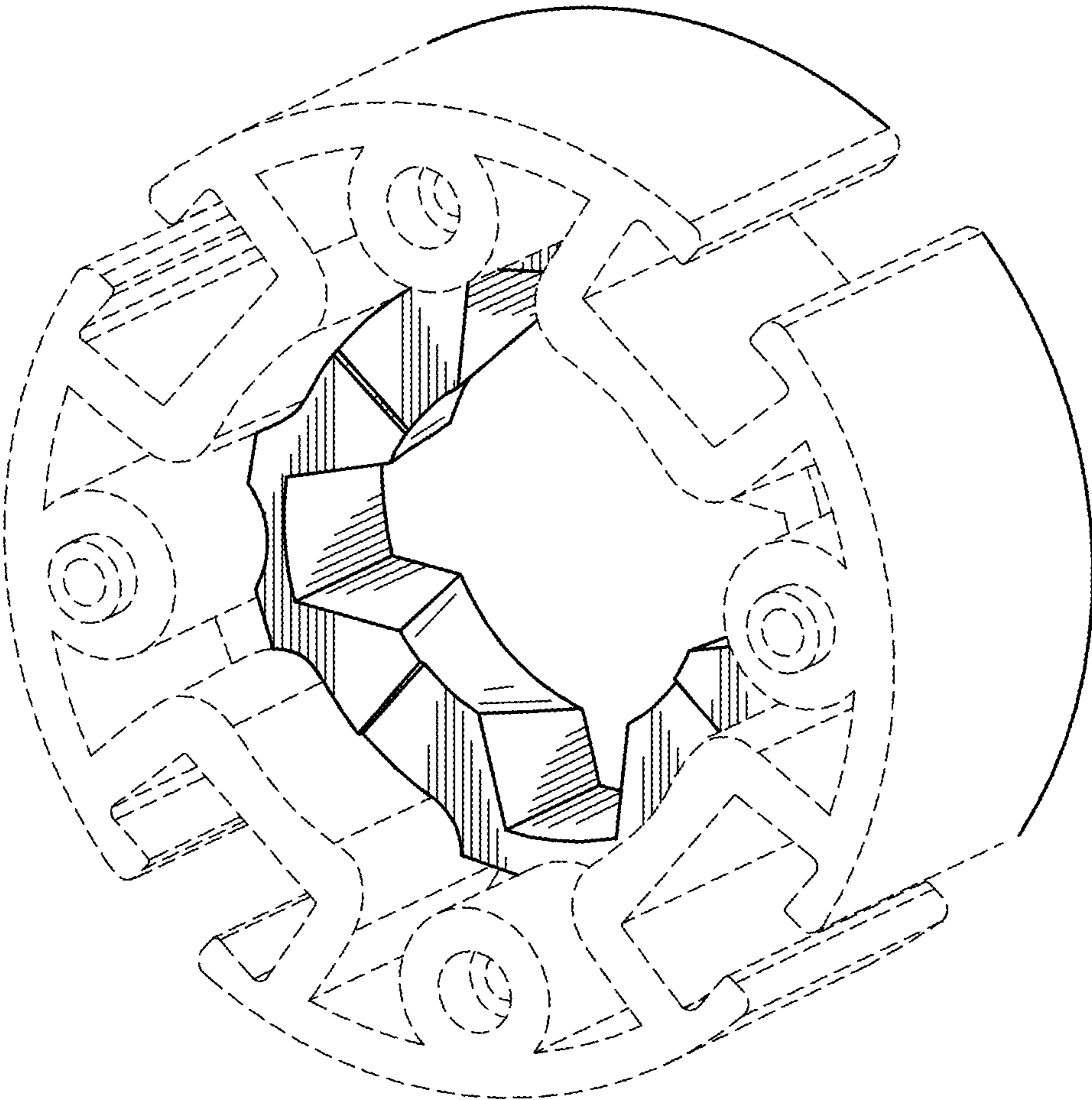


FIG. 2

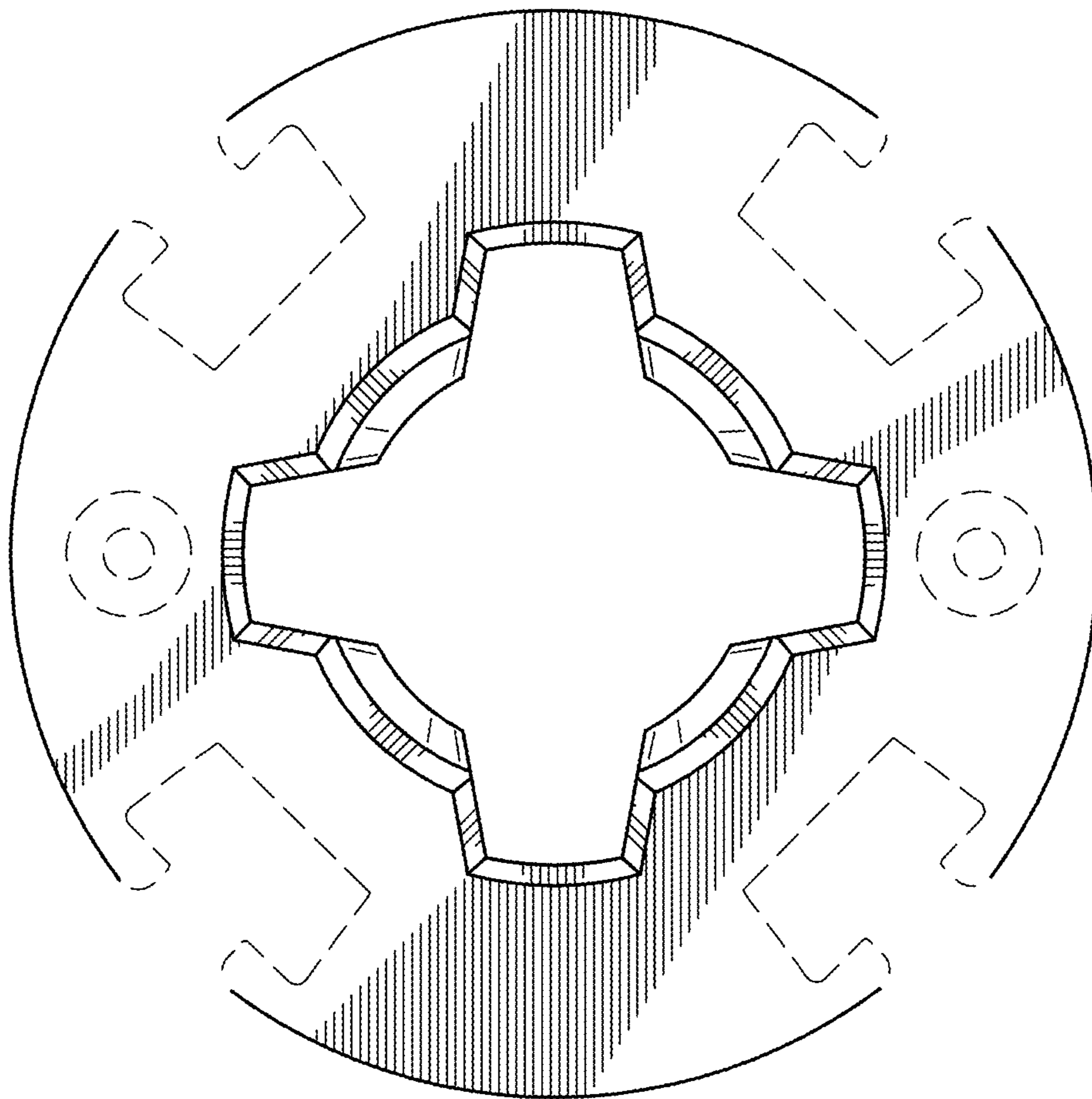


FIG. 3

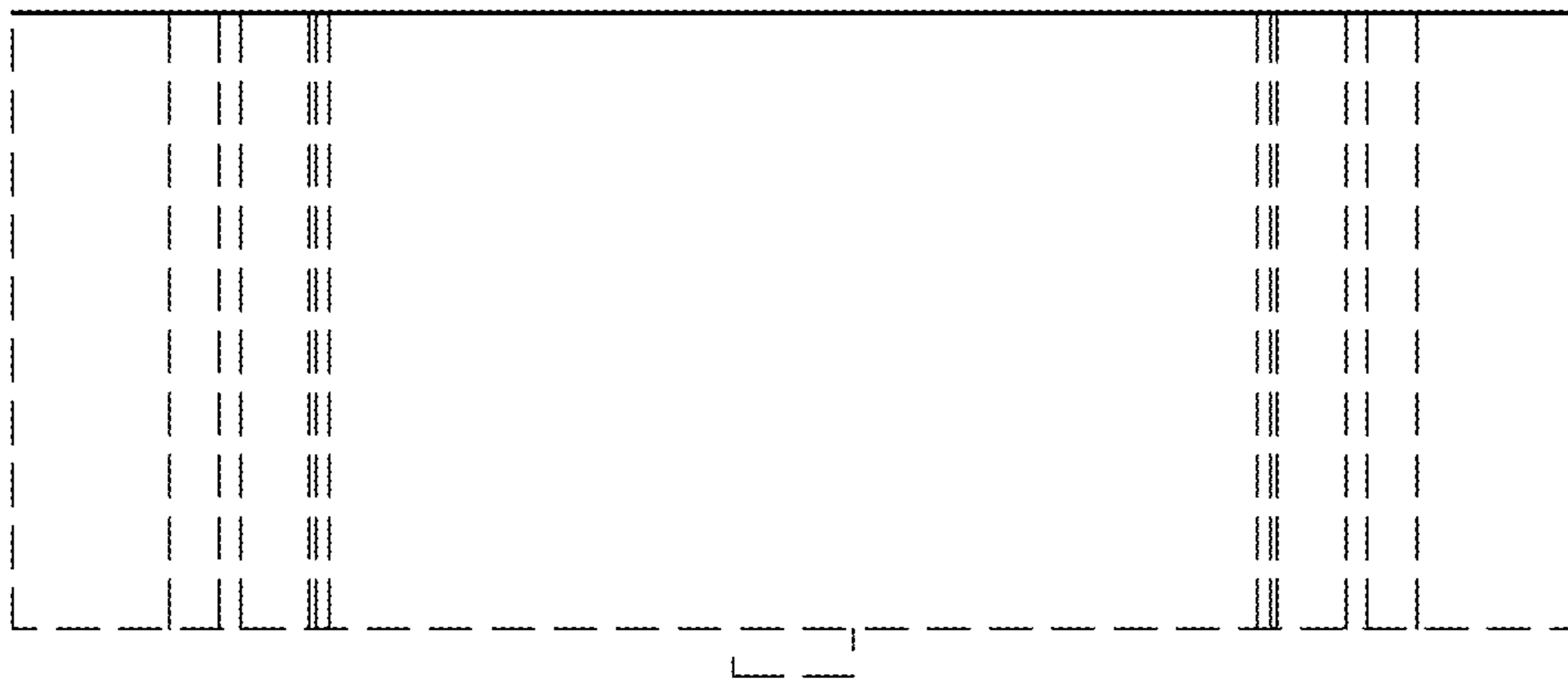


FIG. 4

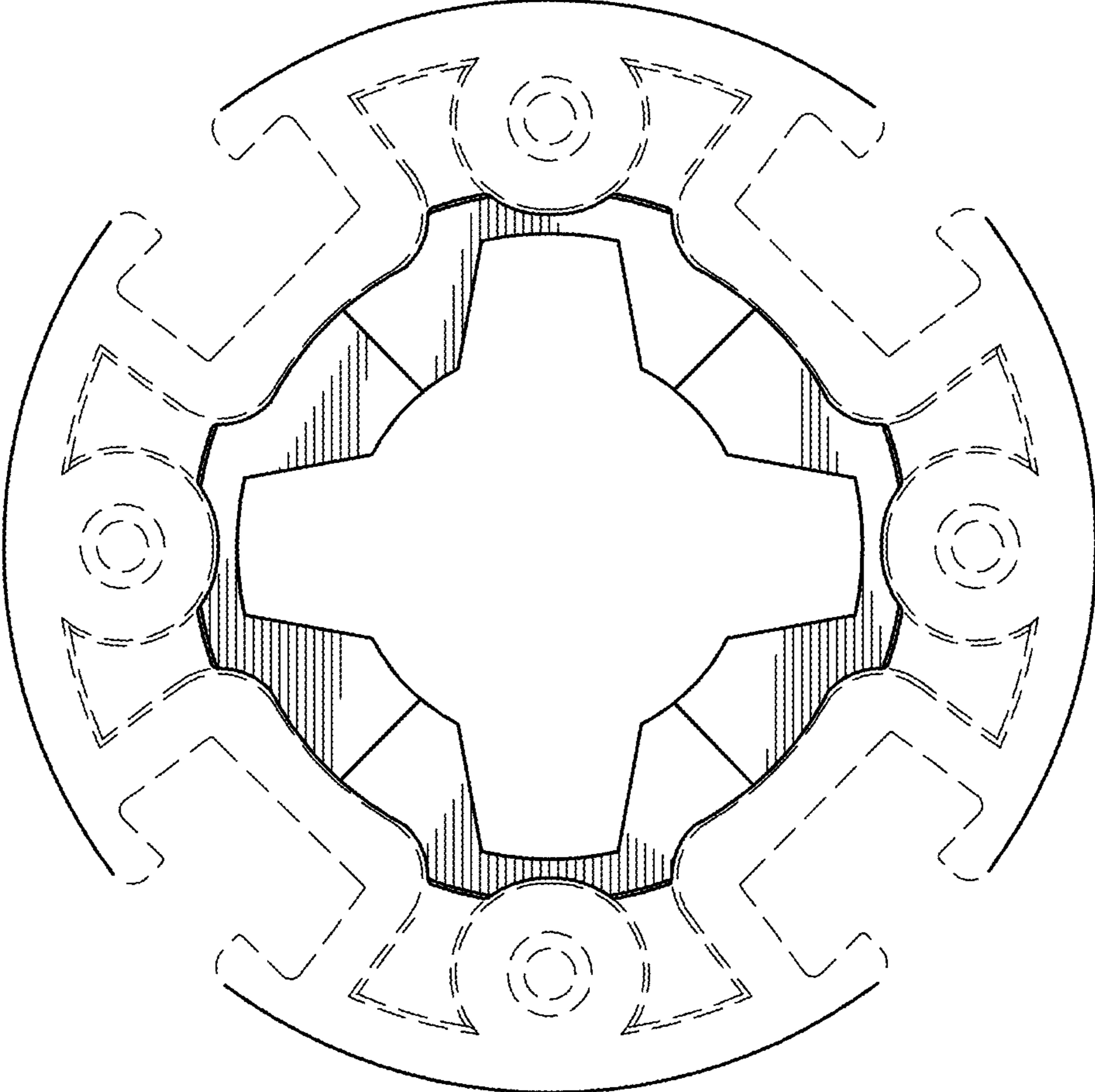


FIG. 5