



US00D805883S

(12) **United States Design Patent**
Evitt

(10) **Patent No.:** **US D805,883 S**
(45) **Date of Patent:** **** Dec. 26, 2017**

(54) **MALE CONNECTOR**

(71) Applicant: **TECNA DISPLAY LIMITED**, London (GB)

(72) Inventor: **Jonathan Evitt**, London (GB)

(73) Assignee: **TECNA DISPLAY LIMITED**, London (GB)

(**) Term: **15 Years**

(21) Appl. No.: **29/539,584**

(22) Filed: **Sep. 15, 2015**

(30) **Foreign Application Priority Data**

Aug. 27, 2015 (EM) 002761866

(51) **LOC (10) Cl.** **08-08**

(52) **U.S. Cl.**
USPC **D8/382**

(58) **Field of Classification Search**
USPC D8/349, 354, 355, 373, 374, 380, 382, D8/387, 388, 394, 399, 499, 300, 310, D8/321
CPC F16B 21/09; F16B 7/0426; F16B 7/048; F16B 12/26; F16B 23/00; F16B 23/0007; F16B 23/0023; F16B 23/003; F16B 23/0038; F16B 23/0046; F16B 23/0053; F16B 23/0061; A47B 47/0016; A47B 47/005; E04B 1/5831; E04B 1/1912; Y10T 403/7007
See application file for complete search history.

4,527,760 A * 7/1985 Salacuse A47K 1/09 24/DIG. 53
D290,930 S * 7/1987 Hill 174/138 D
4,756,638 A * 7/1988 Neyret E05B 9/084 403/261
D356,609 S * 3/1995 Glynn D21/486
D365,009 S * 12/1995 Lenberg D8/307
5,597,260 A * 1/1997 Peterson F16B 21/04 403/316
D562,453 S * 2/2008 Rassoli D24/156
D579,759 S * 11/2008 Strait D8/349
D581,986 S * 12/2008 Evitt D20/43
D684,036 S * 6/2013 Topping D8/356
8,647,371 B2 * 2/2014 Black A61B 17/8038 606/308
9,086,087 B1 * 7/2015 Sharman F16B 21/04
2008/0267696 A1 * 10/2008 De Wilde A63H 33/106 403/170
2012/0009013 A1 * 1/2012 Evitt A47B 47/005 403/349
2016/0312816 A1 * 10/2016 Bjelobradic F16B 23/0038

* cited by examiner

Primary Examiner — Sandra Snapp
Assistant Examiner — Ieisha Price
(74) *Attorney, Agent, or Firm* — Donald E. Stout; Stout, Uxa & Buyan, LLP

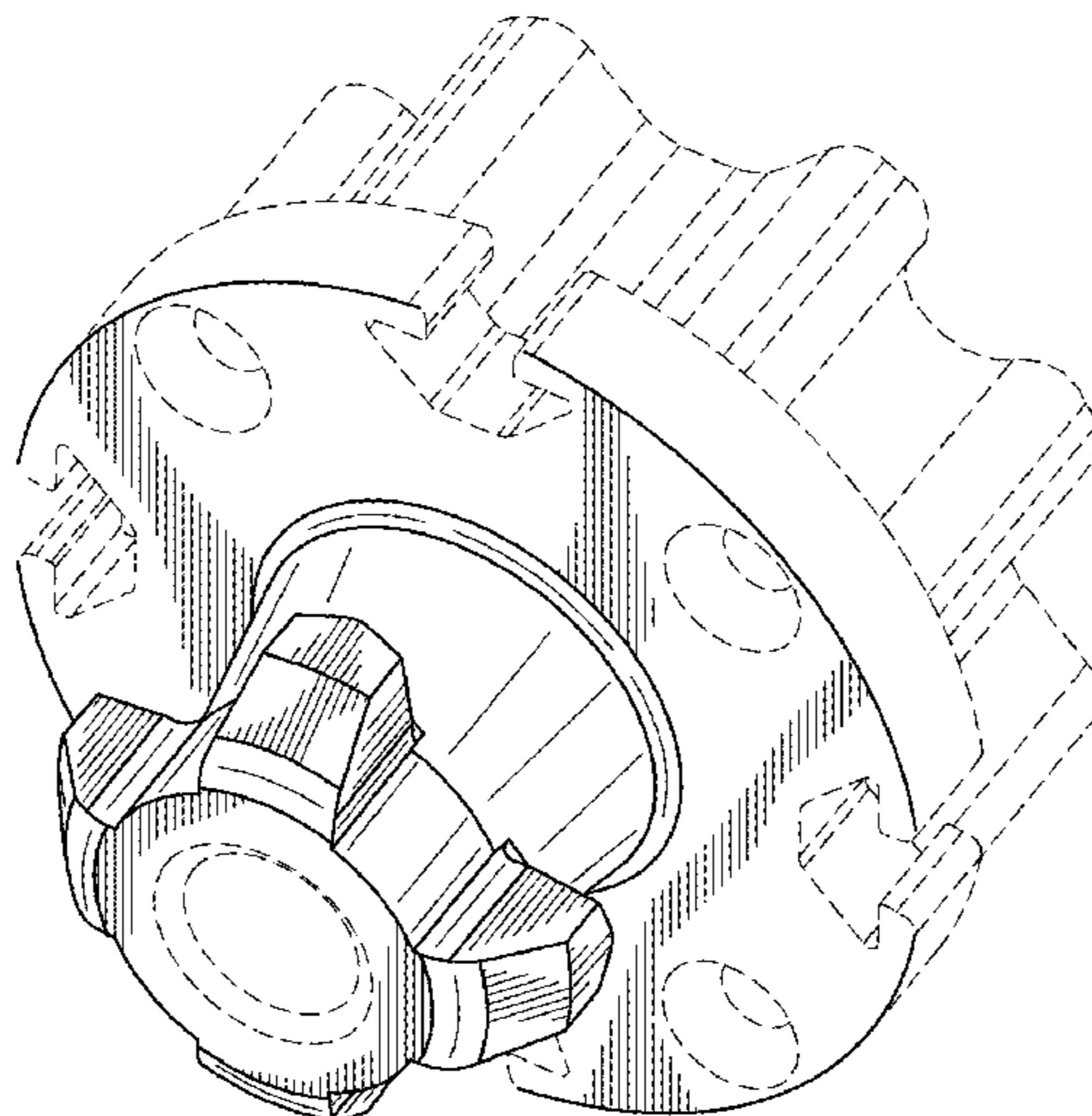
(57) **CLAIM**
The ornamental design for a male connector, as shown and described.

DESCRIPTION

FIG. 1 is an isometric view of the male connector showing my new invention;
FIG. 2 is an isometric view, from a reverse orientation, of the male connector shown in FIG. 1;
FIG. 3 is a top view of the male connector of FIGS. 1-2; and, FIG. 4 is a side elevation of the male connector of FIGS. 1-3. The broken lines in the drawings illustrate portions of the male connector and form no part of the claimed design.

1 Claim, 4 Drawing Sheets

(56) **References Cited**
U.S. PATENT DOCUMENTS
D246,691 S * 12/1977 Takahashi D8/310
D269,409 S * 6/1983 Ferdinand D8/307



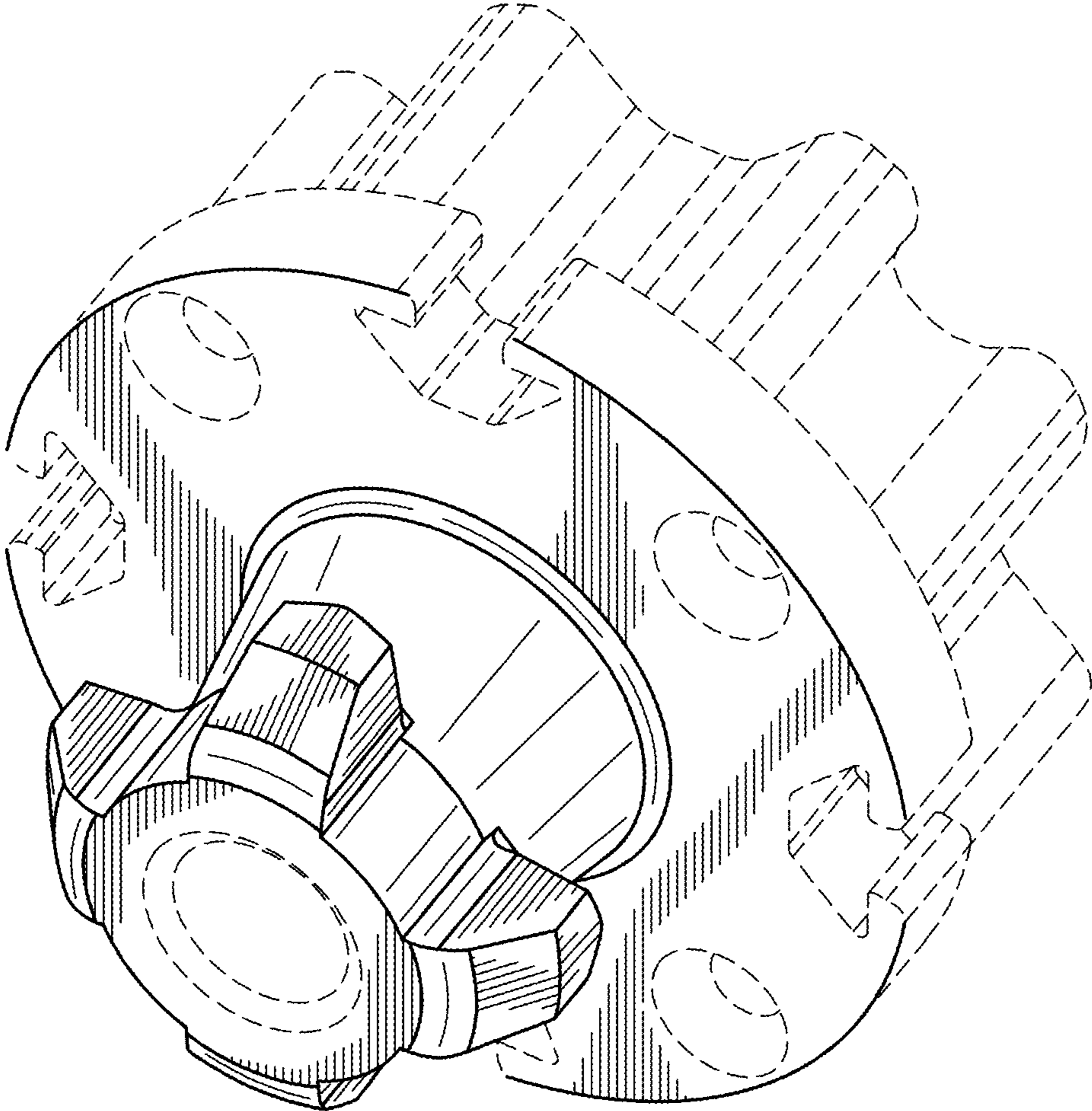


FIG. 1

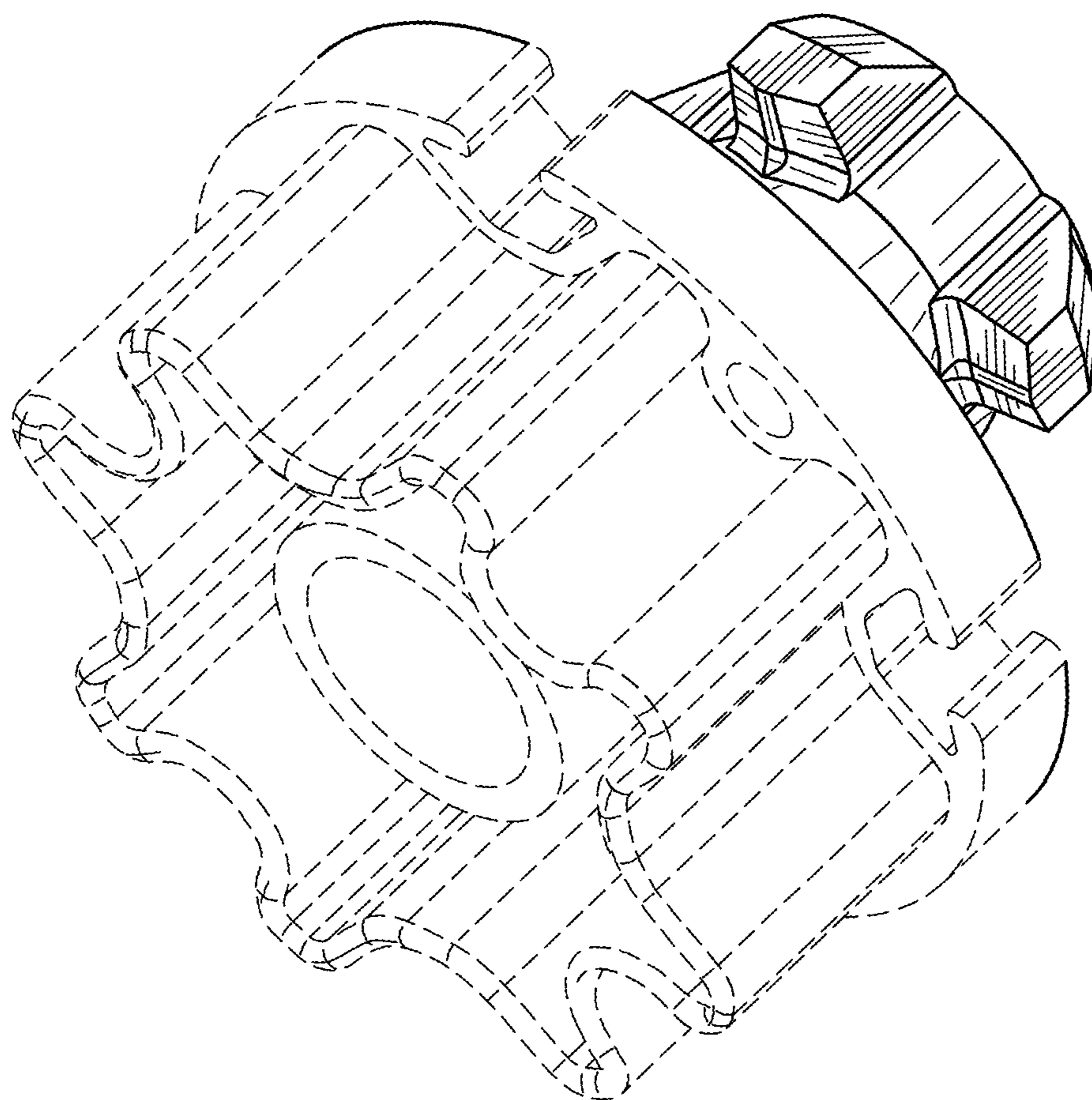


FIG. 2

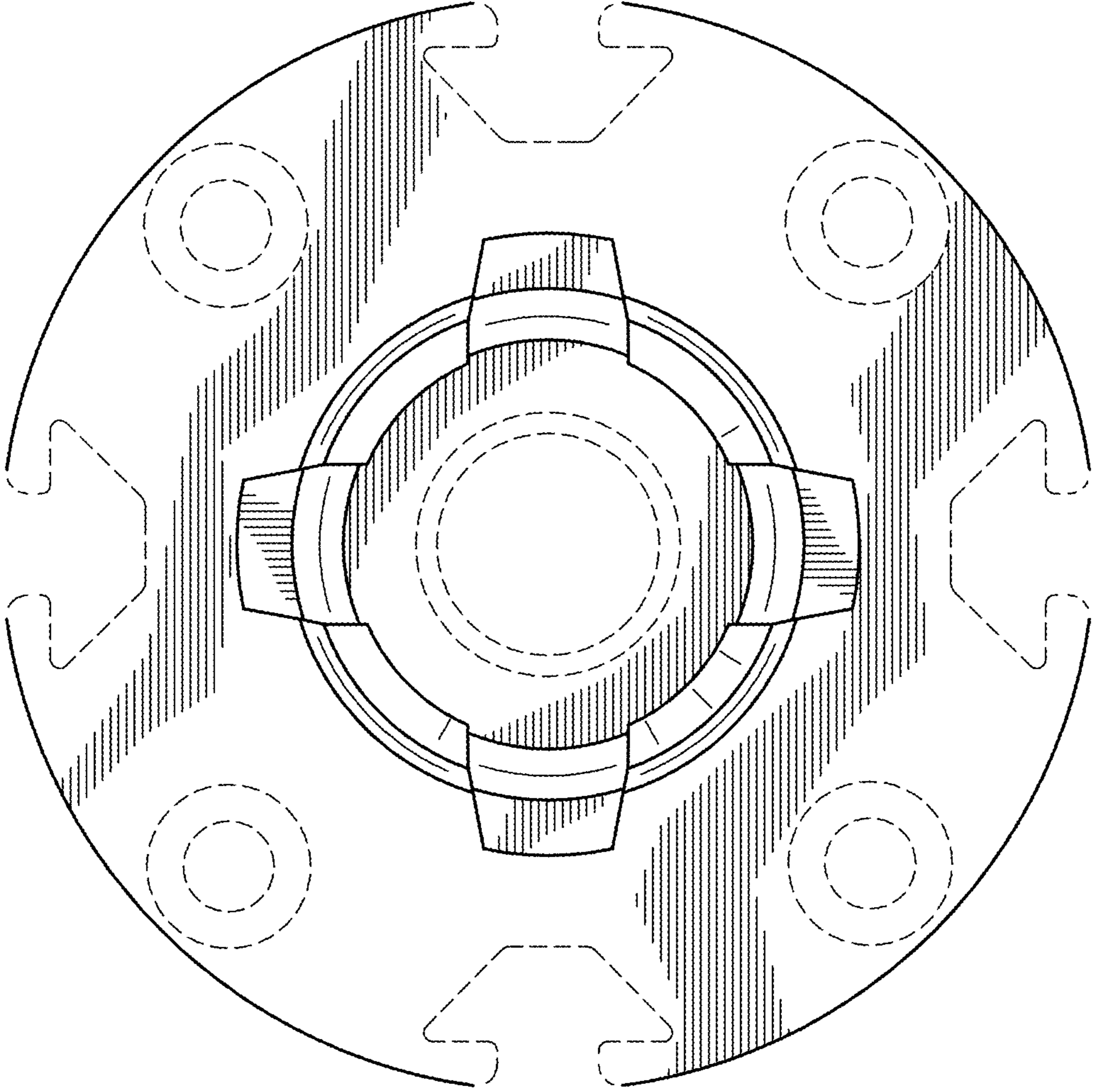


FIG. 3

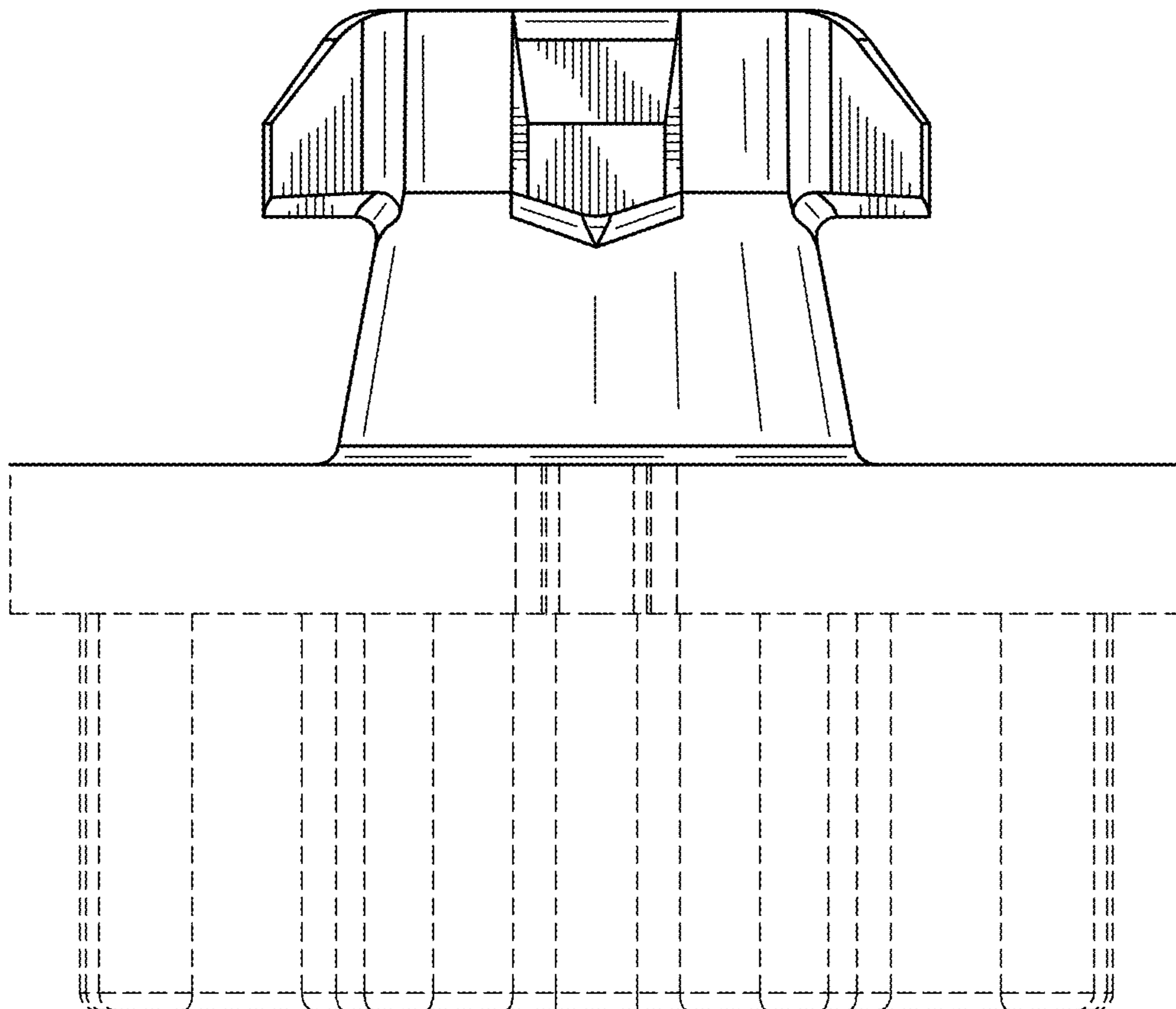


FIG. 4